



US00D461940S

(12) **United States Design Patent** (10) **Patent No.:** **US D461,940 S**  
**Meinzinger et al.** (45) **Date of Patent:** **\*\* Aug. 20, 2002**

- (54) **WASTE RECEPTACLE**
- (75) Inventors: **Mathias Meinzinger**, Upper Brookville; **George Schmidt**, Douglaston; **Dwayne Hines**, Mineola, all of NY (US)
- (73) Assignee: **Creative Bath Products, Inc.**, Central Islip, NY (US)
- (\*\*) Term: **14 Years**
- (21) Appl. No.: **29/141,358**
- (22) Filed: **May 4, 2001**
- (51) **LOC (7) Cl.** ..... **09-09**
- (52) **U.S. Cl.** ..... **D34/7**
- (58) **Field of Search** ..... D34/1, 5, 6, 7; 220/908, 909, 910, 911, 252, 253

- D391,728 S \* 3/1998 Delmerico ..... D34/11
- D422,126 S \* 3/2000 McKeown et al. .... D34/1
- D424,264 S \* 5/2000 McKeown et al. .... D34/1
- D431,702 S \* 10/2000 McKeown et al. .... D34/1
- D446,372 S \* 8/2001 Piard et al. .... D34/1
- D447,304 S \* 8/2001 Niemeyer ..... D34/1

\* cited by examiner

*Primary Examiner*—Cynthia E. Ramirez

(74) *Attorney, Agent, or Firm*—Anthony J. Casella; Gerald E. Hespos

(57) **CLAIM**

The ornamental design for a waste receptacle, as shown and described.

**DESCRIPTION**

FIG. 1 is a perspective view of a first embodiment of a waste receptacle;  
 FIG. 2 is a front elevational view of the waste receptacle shown in FIG. 1;  
 FIG. 3 is a rear elevational view thereof;  
 FIG. 4 is a side elevational view as viewed from the right side of FIGS. 1 and 2, with the left side elevational view being a mirror image thereof;  
 FIG. 5 is a top plan view;  
 FIG. 6 is a bottom plan view;  
 FIG. 7 is a perspective view of an alternate embodiment of the waste receptacle;  
 FIG. 8 is a front elevational view of the alternate embodiment;  
 FIG. 9 is a rear elevational view of the alternate embodiment;  
 FIG. 10 is a side elevational view of the alternate embodiment as viewed from the right side of FIGS. 7 and 8;  
 FIG. 11 is a top plan view of the alternate embodiment; and,  
 FIG. 12 is a bottom plan view thereof.

(56) **References Cited**

**U.S. PATENT DOCUMENTS**

4,212,407 A	7/1980	Lydon	
4,679,700 A	7/1987	Tharrington et al.	
4,776,478 A	10/1988	Miller et al.	
4,961,514 A	10/1990	Palmer	
5,183,175 A	2/1993	Brown	
5,219,085 A	6/1993	Craft et al.	
5,292,023 A	3/1994	Yen	
5,295,607 A	3/1994	Chang	
5,381,921 A	1/1995	Bray et al.	
5,387,735 A	2/1995	Ponsi et al.	
5,494,186 A	2/1996	Marsh	
D368,349 S	* 3/1996	Skold	D34/1
5,588,358 A	12/1996	Klepacki et al.	
5,651,231 A	7/1997	Garland	
D383,277 S	* 9/1997	Peters	D34/1
D388,922 S	* 1/1998	Peters	D34/1
D391,727 S	* 3/1998	Delmerico	D34/11

**1 Claim, 10 Drawing Sheets**

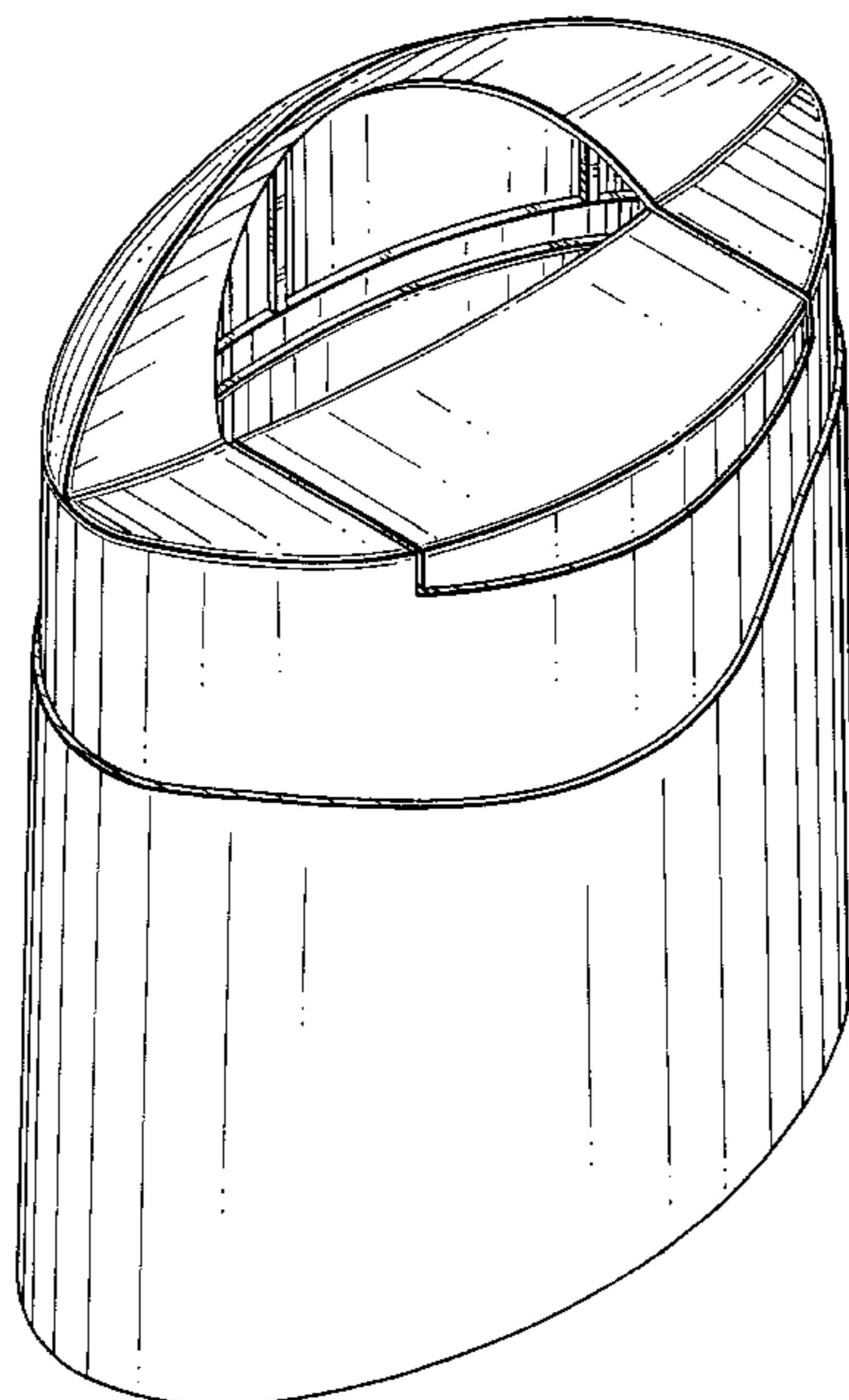
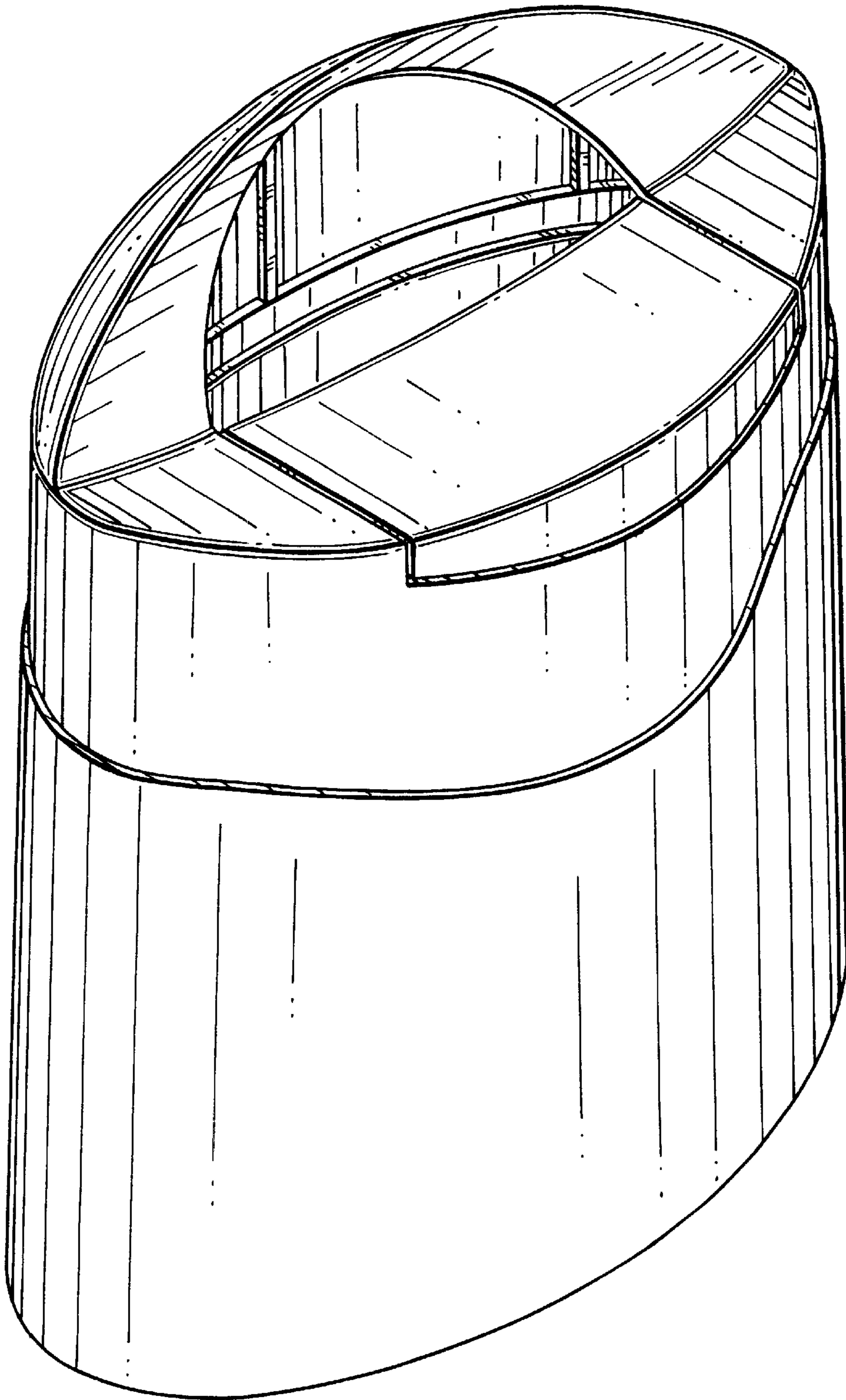


FIG. 1



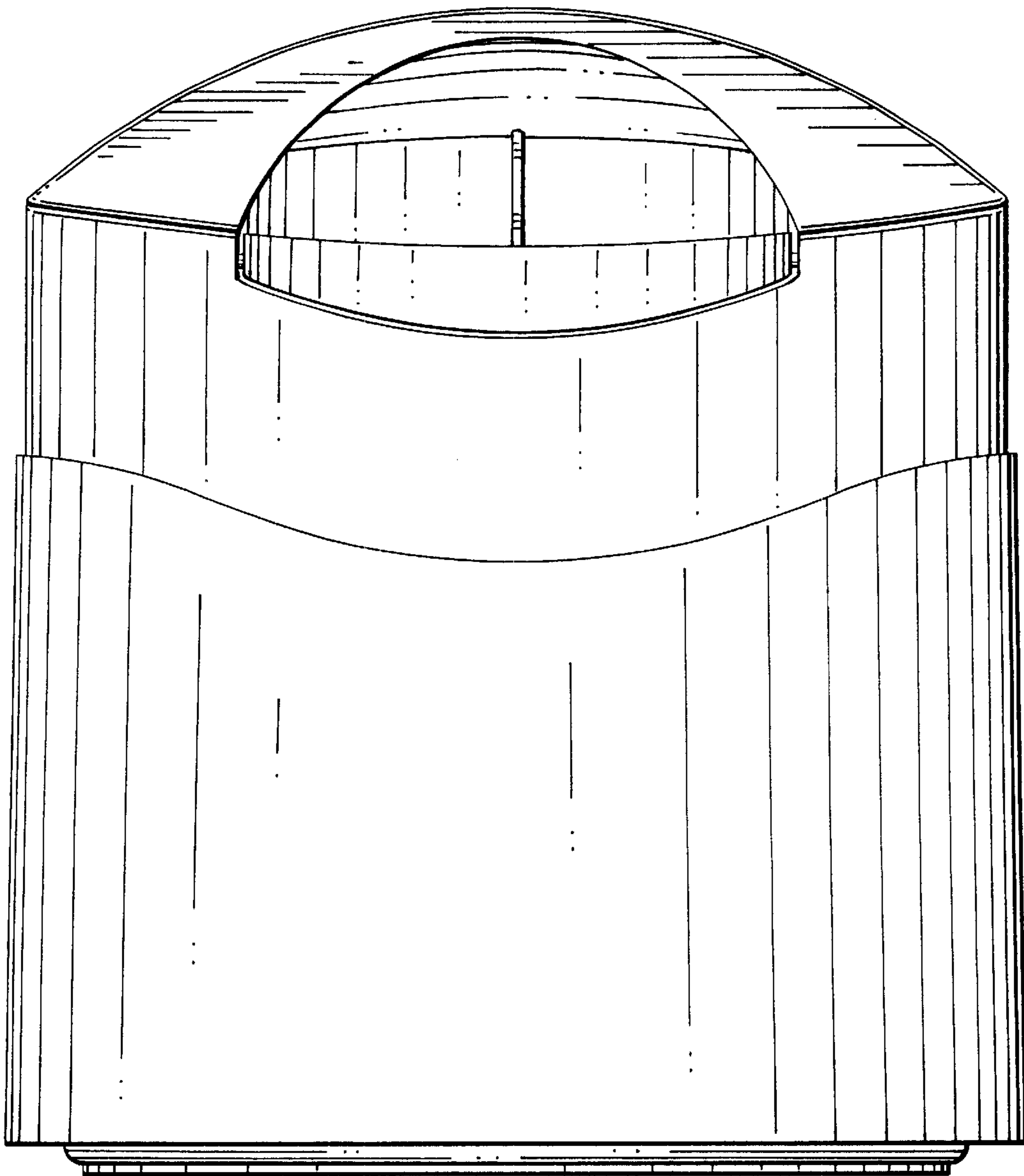


FIG.2

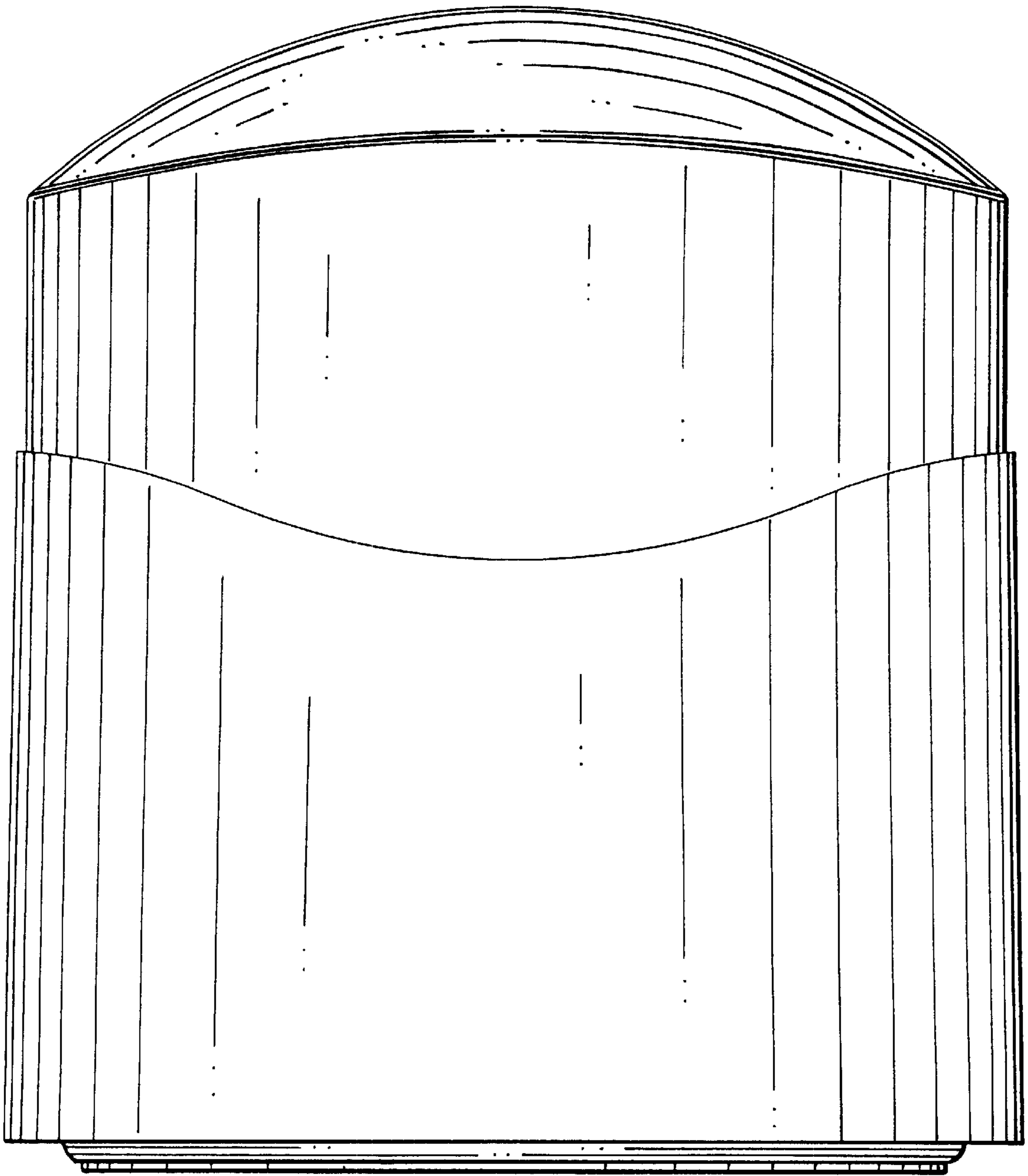


FIG. 3

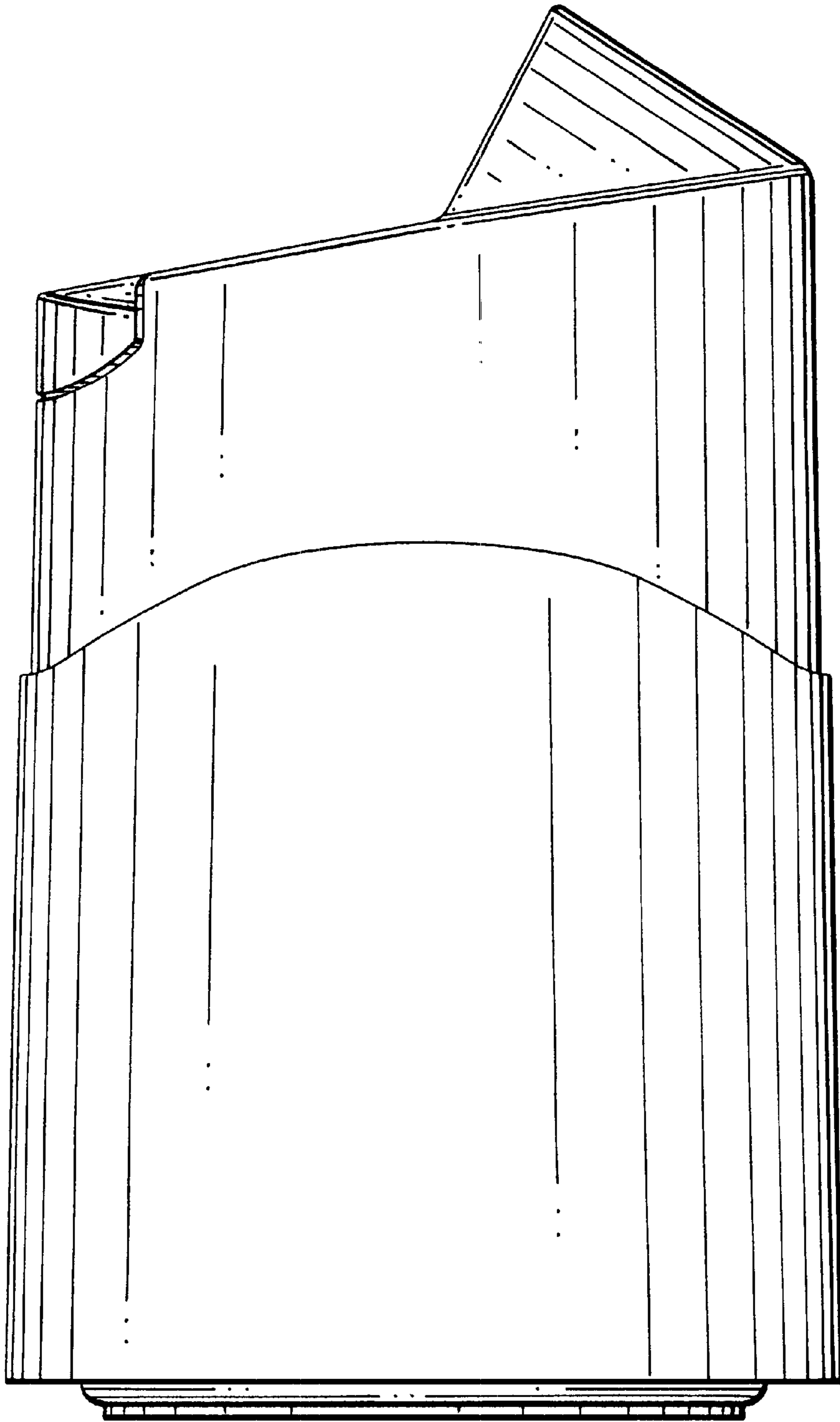


FIG. 4

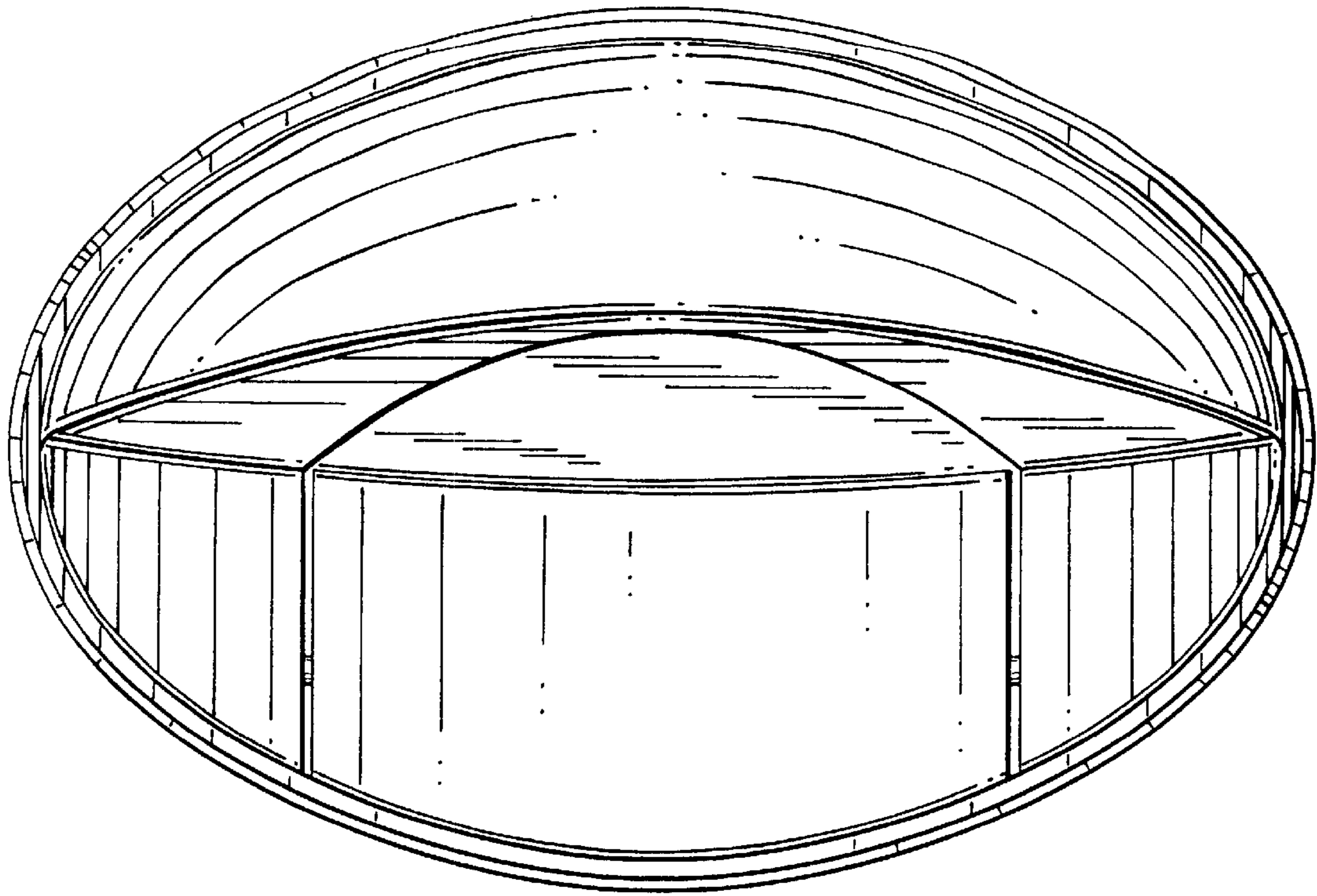


FIG. 5

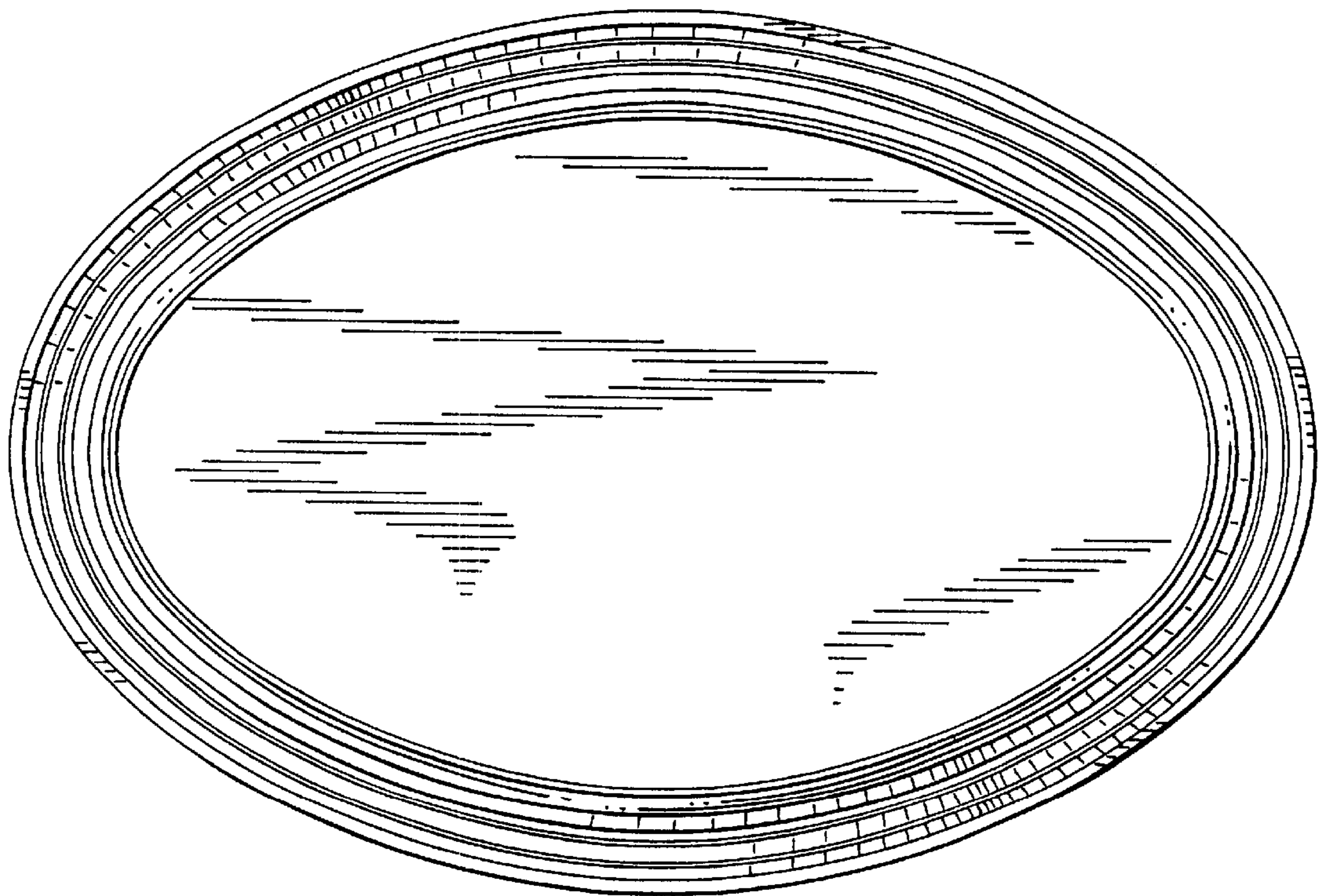


FIG. 6

FIG. 7

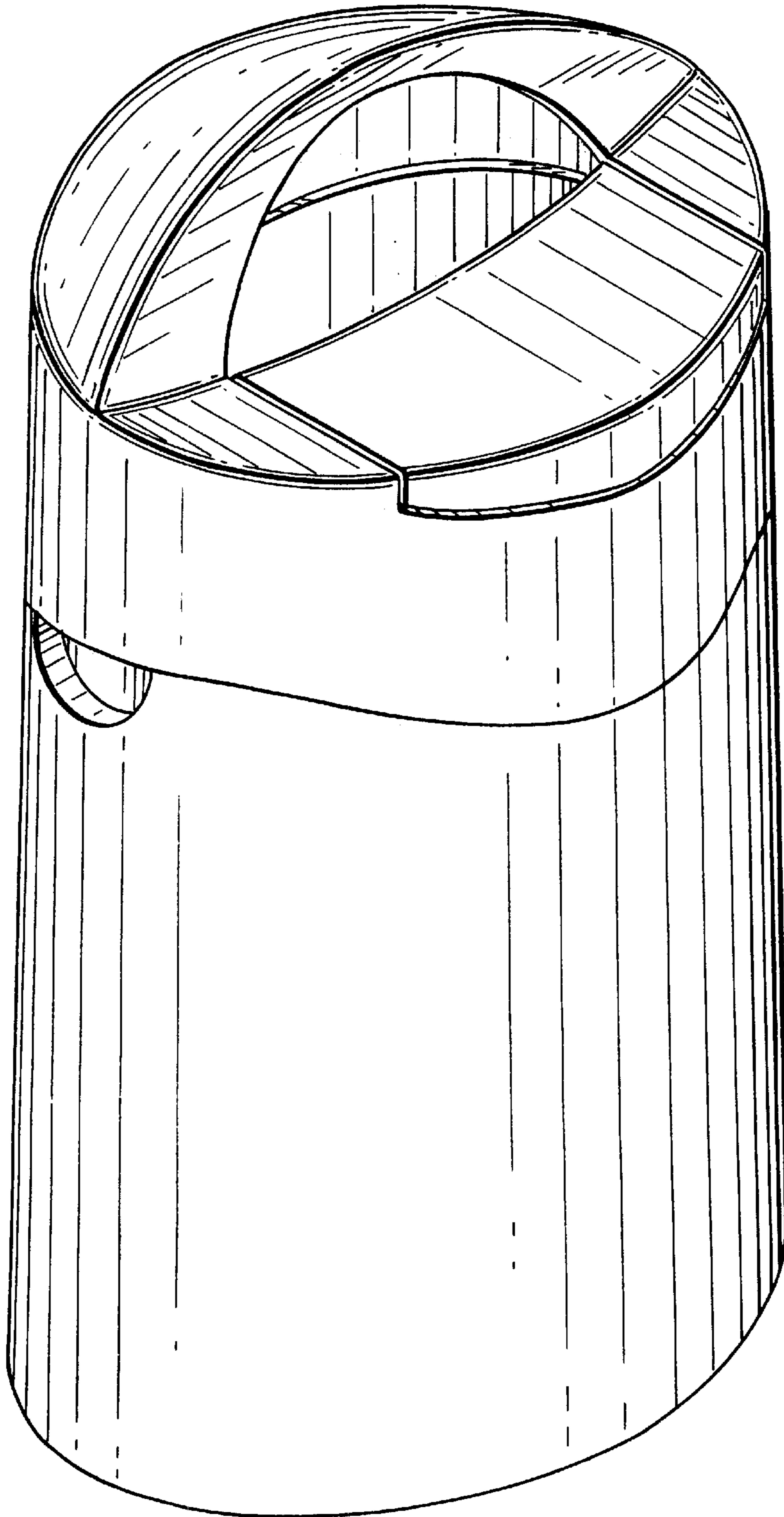


FIG.8

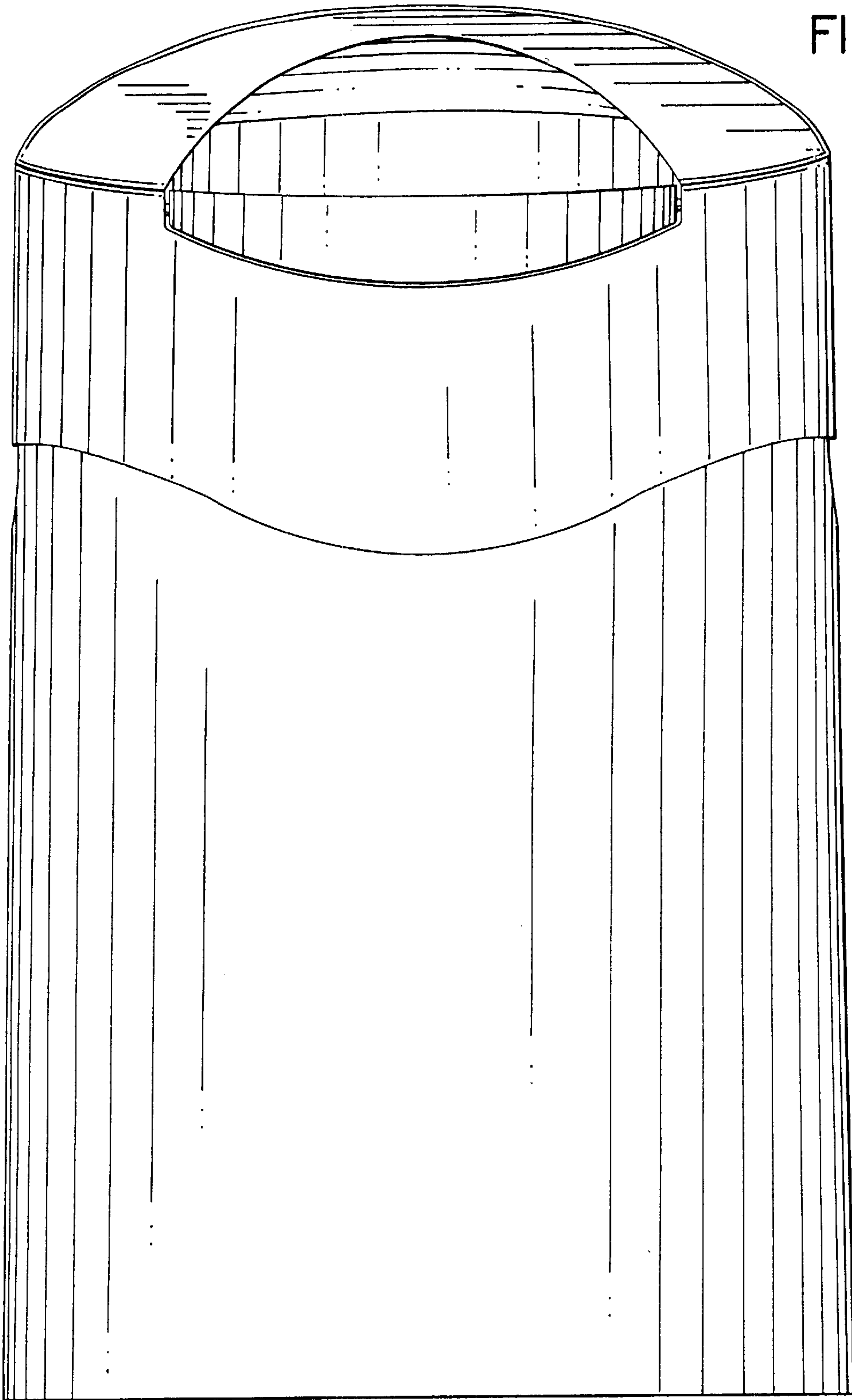
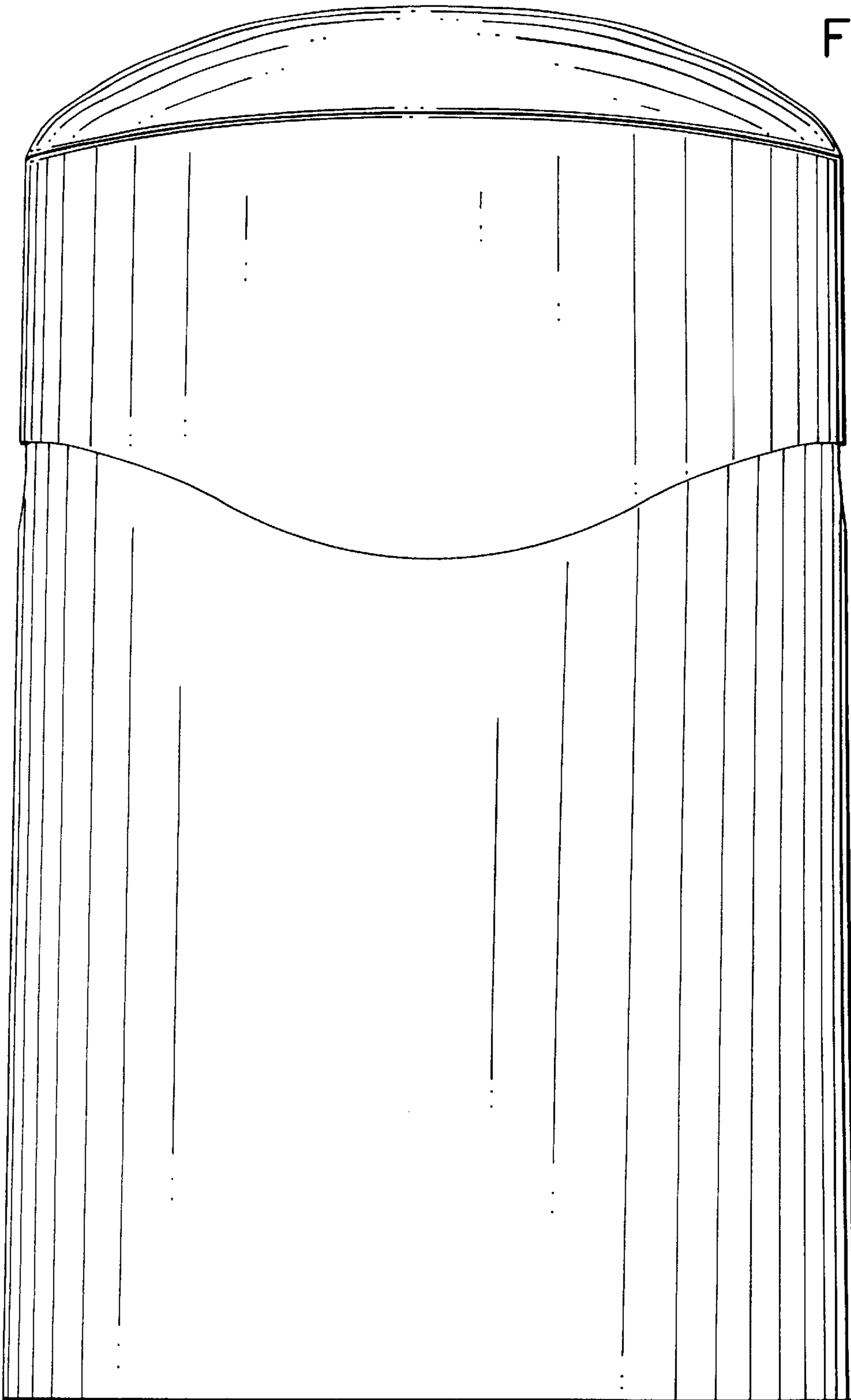




FIG. 9



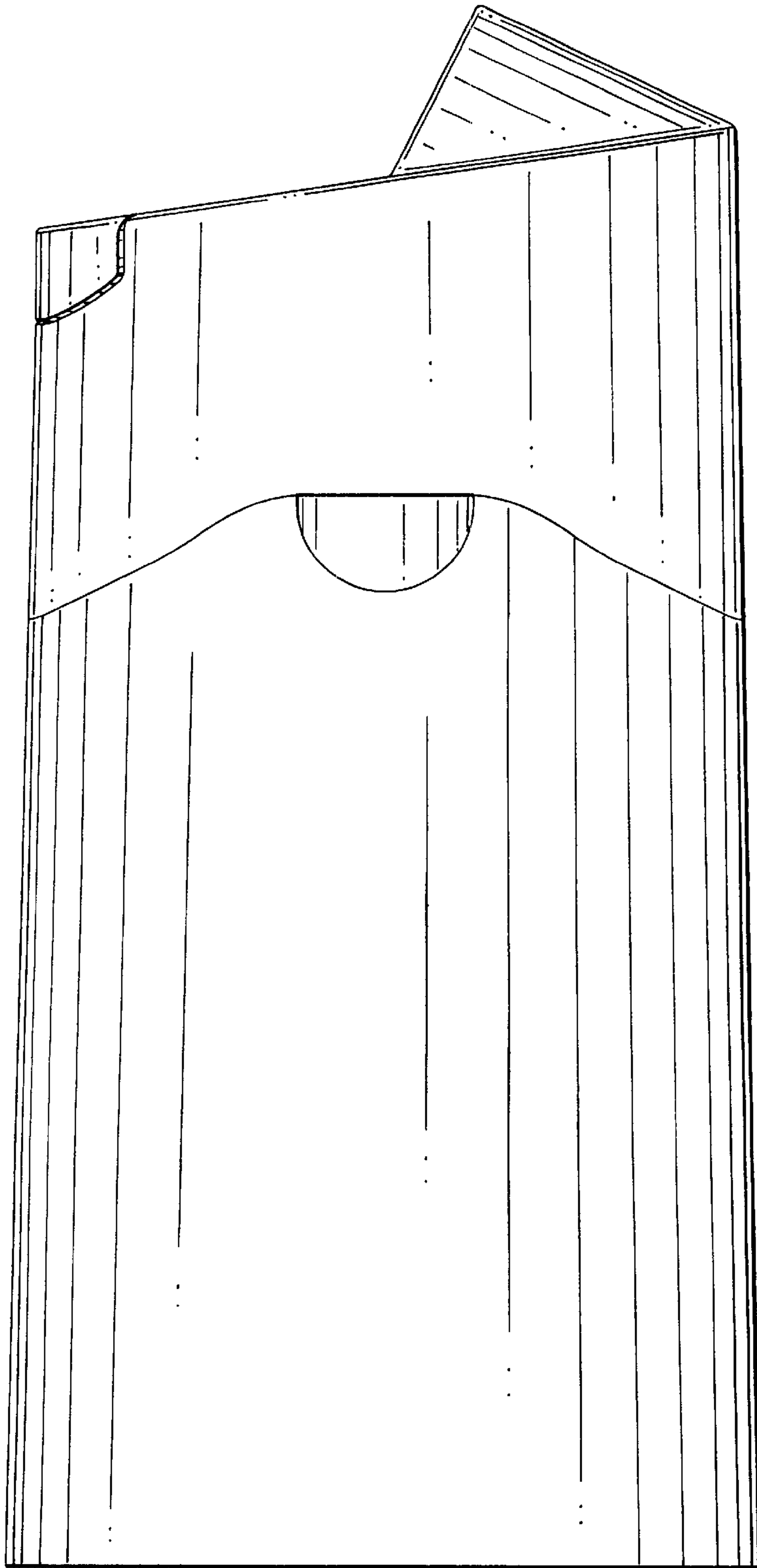


FIG. 10

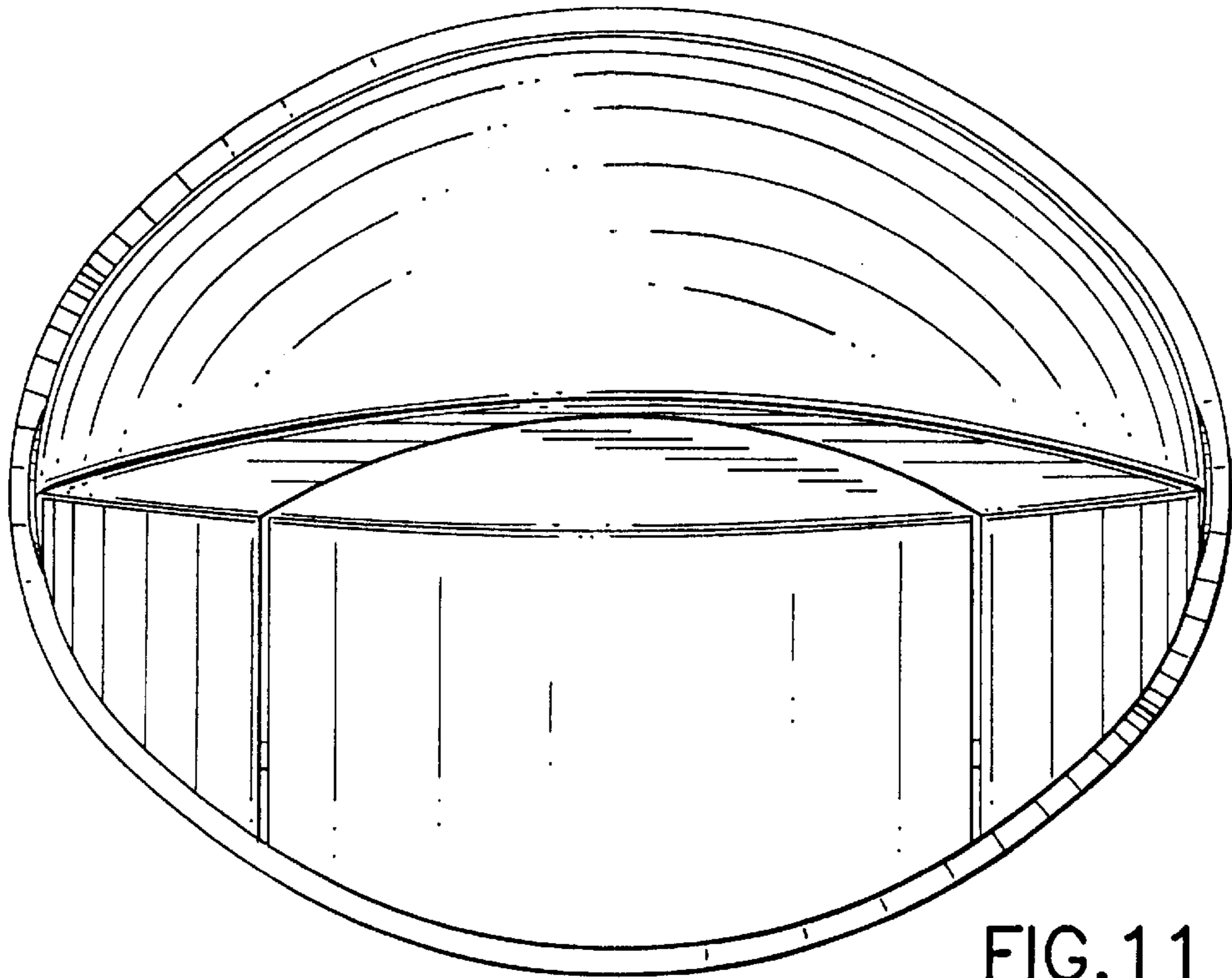


FIG. 11

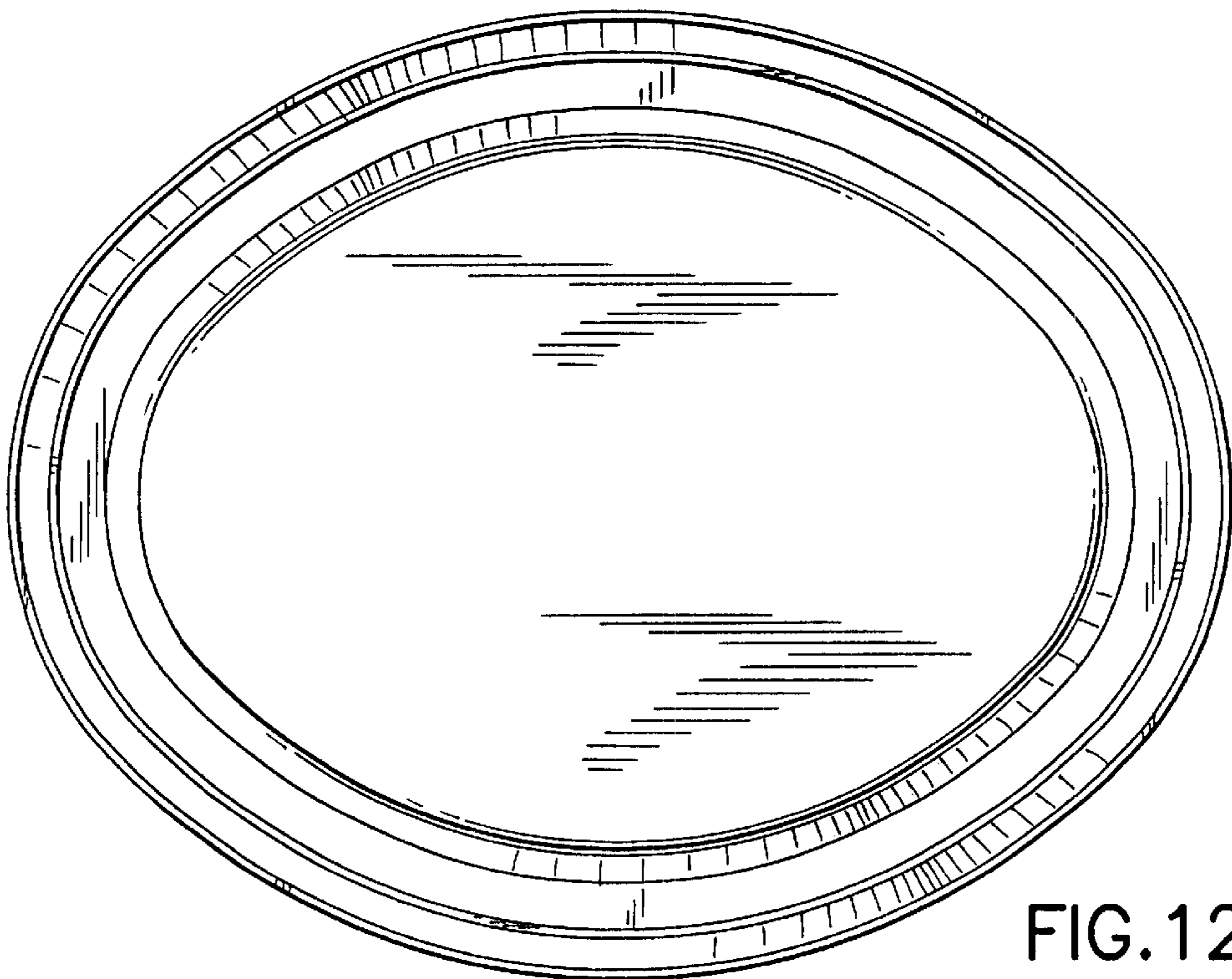


FIG. 12