



US00D461933S

(12) **United States Design Patent**
Rivera

(10) **Patent No.:** **US D461,933 S**

(45) **Date of Patent:** **** Aug. 20, 2002**

(54) **REAR PORTION OF REMOVABLE
TWEEZERS FOR A MULTIPURPOSE TOOL**

1,600,602 A * 9/1926 Schrade 30/155
D79,191 S * 8/1929 Harris D28/59
2,999,505 A * 9/1961 Herstedt 132/73.5
5,358,297 A * 10/1994 Coleman 294/99.2

(75) **Inventor:** **Benjamin C. Rivera**, West Linn, OR
(US)

* cited by examiner

(73) **Assignee:** **Leatherman Tool Group, Inc.**,
Portland, OR (US)

Primary Examiner—Raphael Barkai

Assistant Examiner—C Tuttle

(**) **Term:** **14 Years**

(74) *Attorney, Agent, or Firm*—Chernoff, Vilhauer,
McClung & Stenzel, LLP

(21) **Appl. No.:** **29/155,105**

(57) **CLAIM**

(22) **Filed:** **Jan. 30, 2002**

The ornamental design for a rear portion of removable
tweezers for a multipurpose tool, as shown and described.

(51) **LOC (7) Cl.** **28-03**

(52) **U.S. Cl.** **D28/55**

DESCRIPTION

(58) **Field of Search** D28/55, 56, 57,
D28/59, 60, 62; D8/51, 52, 55, 56, 105,
107; 132/73, 73.5, 75.3, 75.4, 75.5, 75.6,
76.2, 76.4, 76.5; 294/99.2; 30/26, 28, 29,
152, 155–157; 7/118, 158, 161, 162, 167,
168

FIG. 1 is an isometric view from the upper right rear of a rear
portion of removable tweezers for a multipurpose tool,
showing my new design, wherein the outer, or front, end
portions of the tweezers arms, shown in broken line, are
included merely for illustrative purposes and form no part of
the claimed design;

(56) **References Cited**

U.S. PATENT DOCUMENTS

159,134 A 1/1875 Woodward
239,208 A 3/1881 Whitmore
951,891 A * 3/1910 Wallace 433/162
1,046,361 A 12/1912 Wulff
1,049,981 A * 1/1913 Smith 30/157
1,287,329 A * 12/1918 Jennings 294/99.2

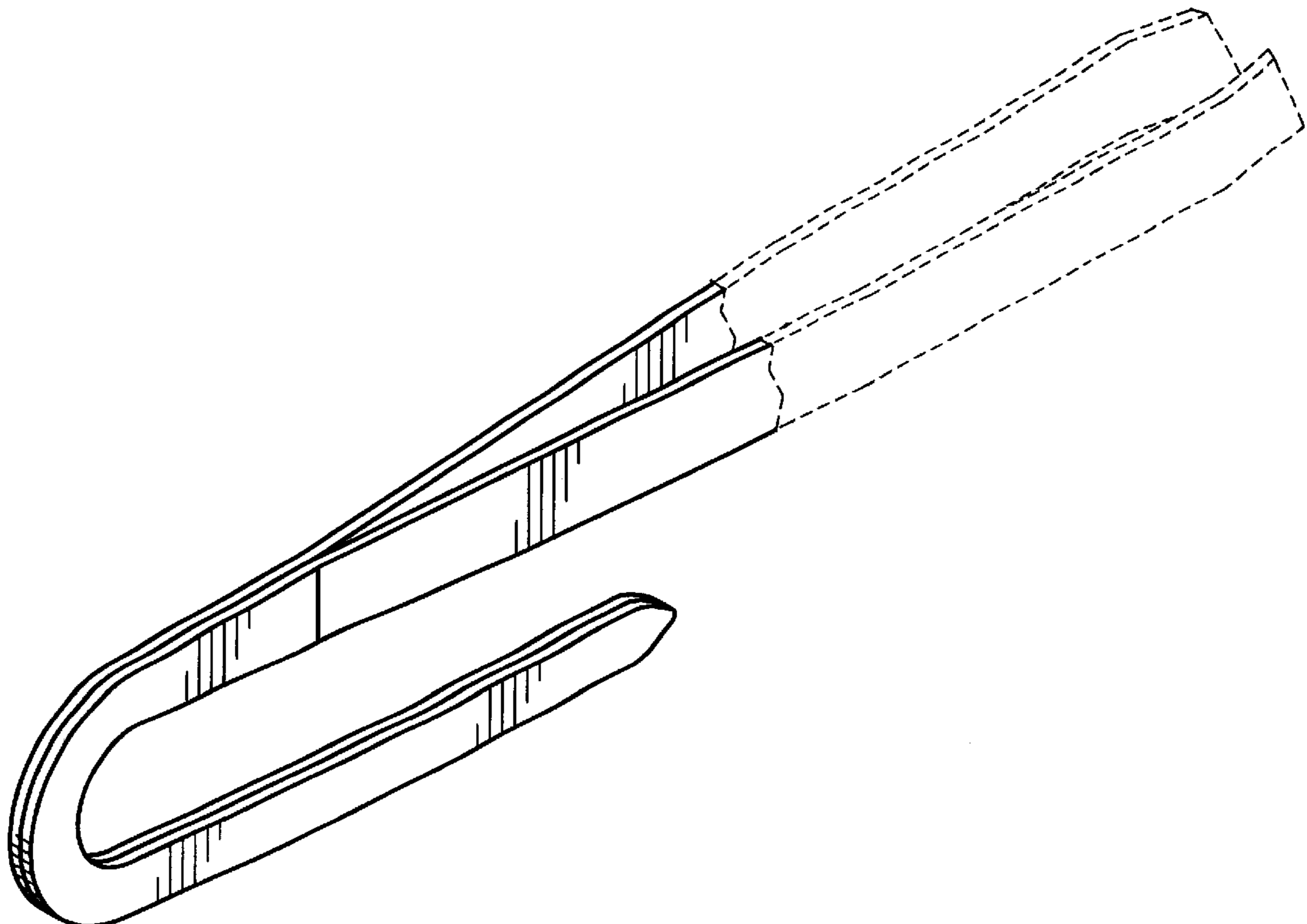
FIG. 2 is a right side elevational view thereof, the left side
elevational view thereof being a mirror image of this view;
FIG. 3 is a top plan view of the portion of a removable
tweezers for a multipurpose tool shown in FIG. 2;

FIG. 4 is a bottom plan view thereof;

FIG. 5 is a front end elevational view thereof; and,

FIG. 6 is a rear end elevational view thereof.

1 Claim, 1 Drawing Sheet



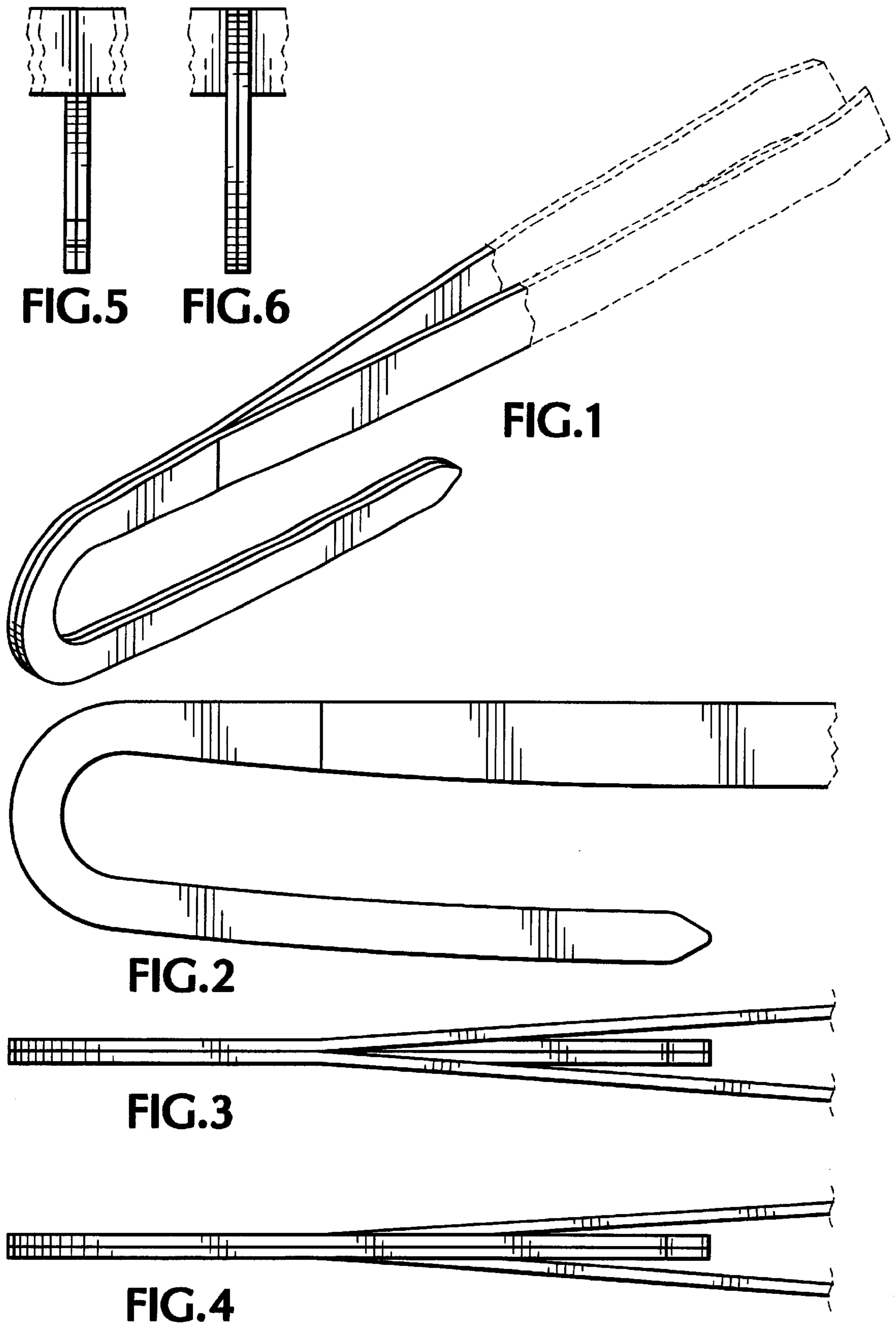


FIG.5

FIG.6

FIG.1

FIG.2

FIG.3

FIG.4