



US00D461923S

(12) **United States Design Patent**
Chelf

(10) **Patent No.:** **US D461,923 S**

(45) **Date of Patent:** **** Aug. 20, 2002**

(54) **LIGHTING FIXTURE**

(75) Inventor: **Bentley Chelf**, Laguna Nigel, CA (US)

(73) Assignee: **General Innovations, LLC**, Laguna Nigel, CA (US)

(**) Term: **14 Years**

(21) Appl. No.: **29/148,688**

(22) Filed: **Sep. 24, 2001**

(51) **LOC (7) Cl.** **26-03**

(52) **U.S. Cl.** **D26/76; 72/89**

(58) **Field of Search** **D26/72, 75-78; 362/147, 404-408, 432, 217-223**

(56) **References Cited**

U.S. PATENT DOCUMENTS

- D166,093 S * 3/1952 McPhail
- 2,615,123 A * 10/1952 Guth
- D399,329 S * 10/1998 Compton et al. D26/76
- D452,030 S * 12/2001 Collver D26/76

OTHER PUBLICATIONS

Simkar catalog; p. 14; 2nd fluorescent fixture from top of page.*

* cited by examiner

Primary Examiner—Alan P. Douglas

Assistant Examiner—Clare E. Heflin

(74) *Attorney, Agent, or Firm*—Haynes and Boone, LLP

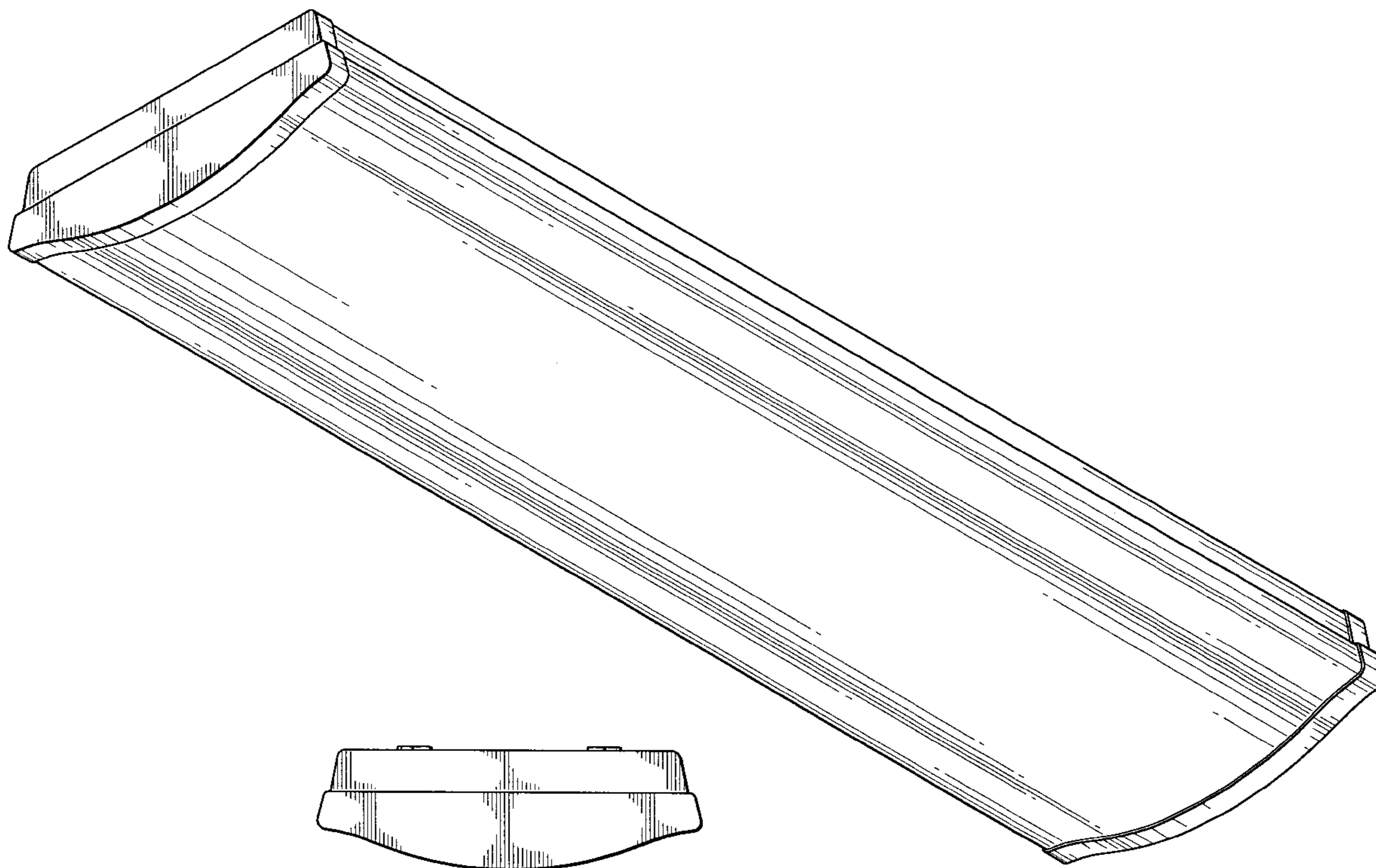
(57) **CLAIM**

The ornamental design for the lighting fixture, as shown and described.

DESCRIPTION

FIG. 1 is a perspective view of the lighting fixture showing my new design;
FIG. 2 is an end elevational view thereof;
FIG. 3 is a front elevational view thereof;
FIG. 4 is a bottom plan view thereof; and
FIG. 5 is a top plan view thereof.

1 Claim, 3 Drawing Sheets



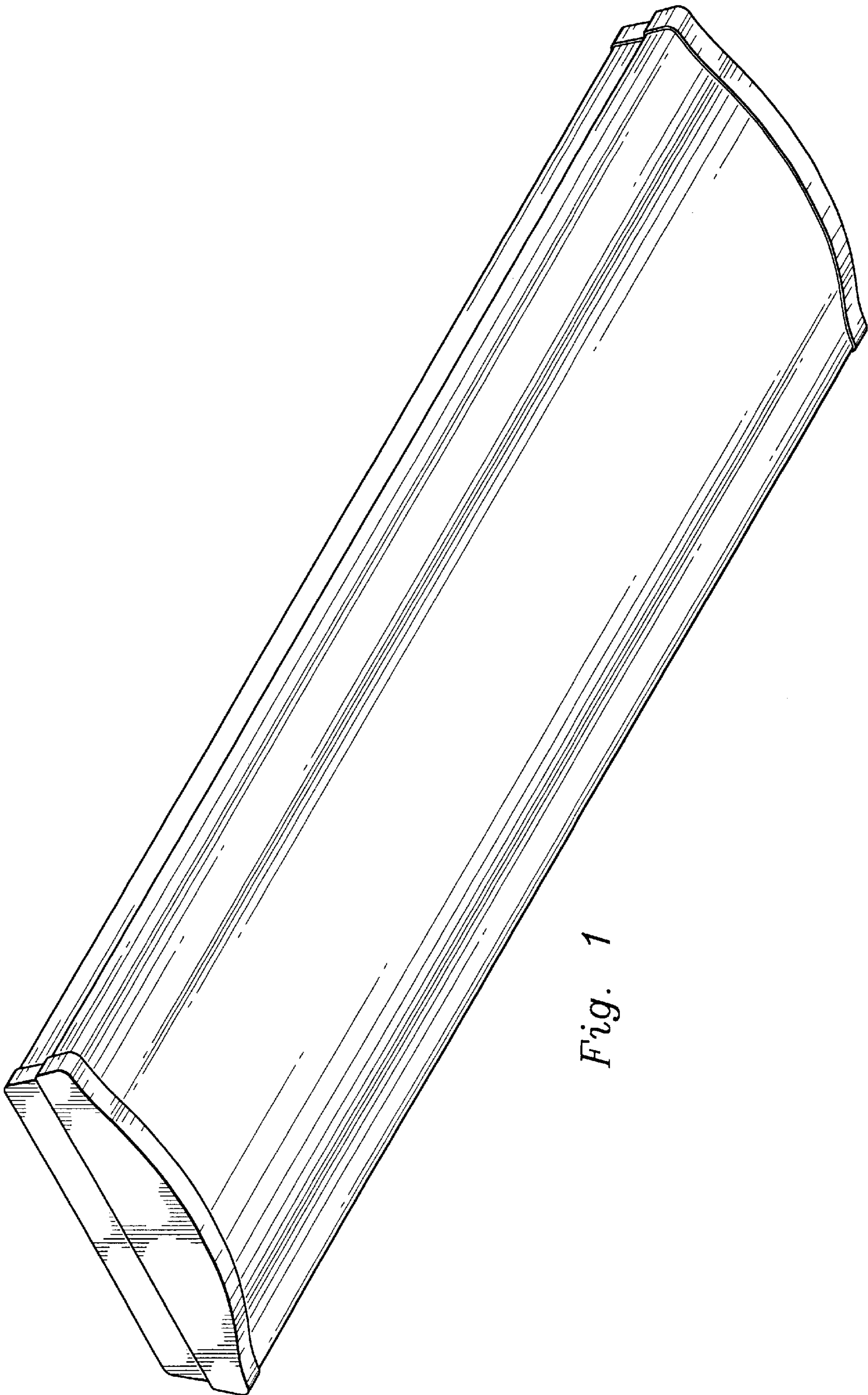


Fig. 1

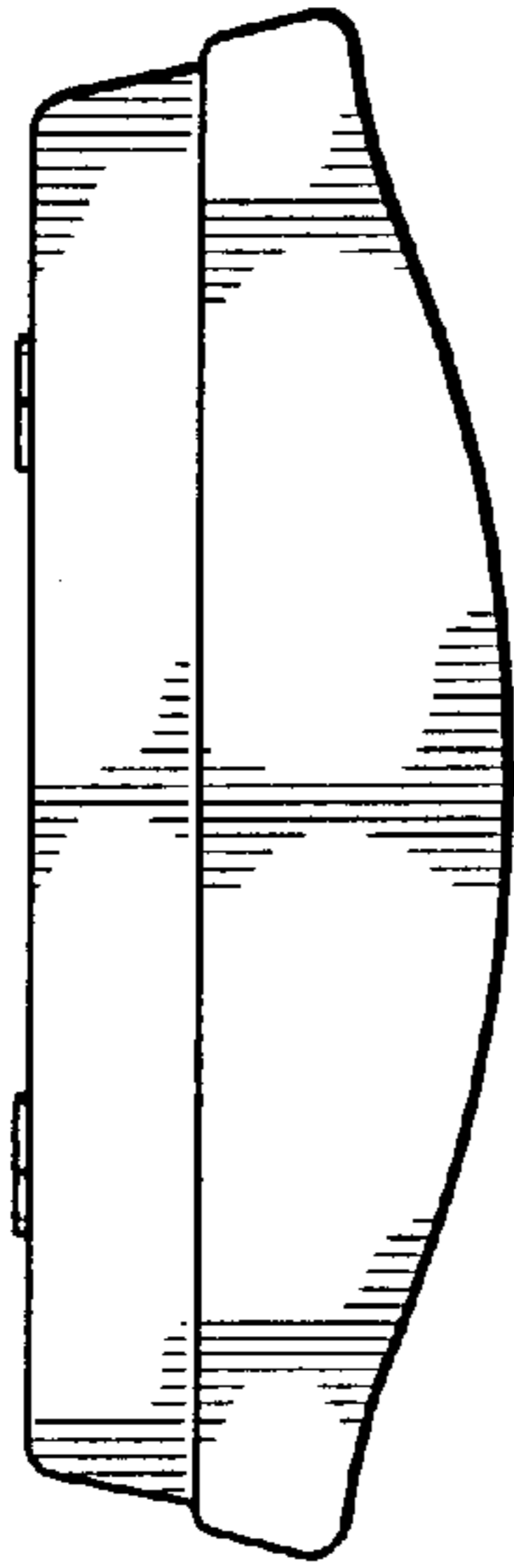


Fig. 2

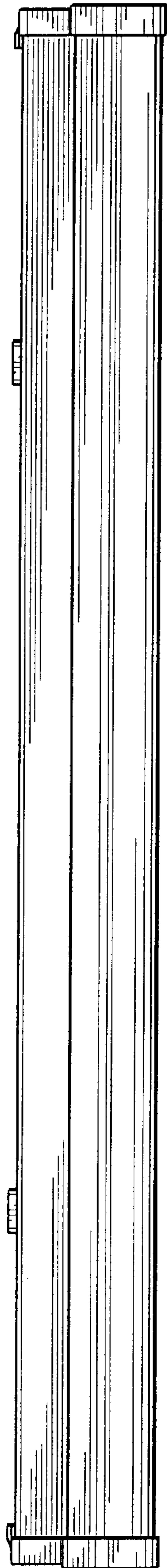


Fig. 3

Fig. 4

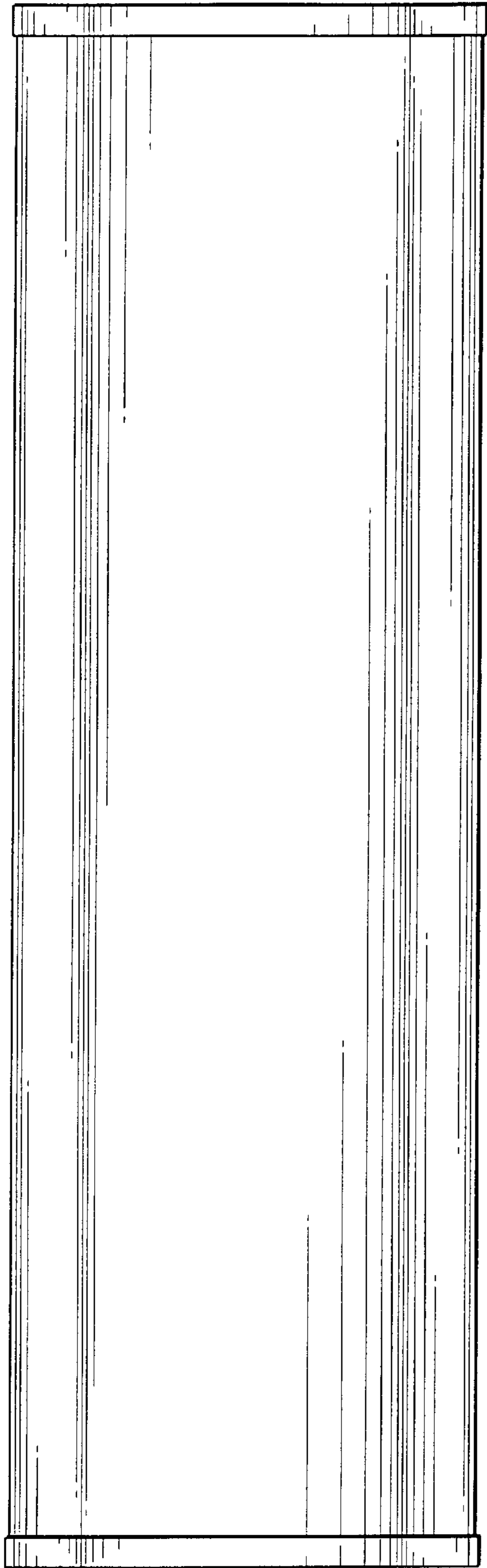


Fig. 5

