



US00D461922S

(12) **United States Design Patent**  
**Hille et al.**

(10) **Patent No.:** **US D461,922 S**

(45) **Date of Patent:** **\*\* Aug. 20, 2002**

(54) **LIGHTING FIXTURE**

D421,316 S \* 2/2000 Fiorato ..... D26/67

(75) Inventors: **Jonathan D. Hille**, Tempe; **Jeffrey B. Berghoff**, Gilbert; **Jon T. Lundquist**, Chandler, all of AZ (US)

\* cited by examiner

*Primary Examiner*—Marcus A. Jackson  
(74) *Attorney, Agent, or Firm*—Snell & Wilmer, L.L.P.

(73) Assignee: **Atom Lighting, Inc.**, Tempe, AZ (US)

(57) **CLAIM**

(\*\*) Term: **14 Years**

The ornamental design for the lighting fixture, as shown and described.

(21) Appl. No.: **29/155,225**

**DESCRIPTION**

(22) Filed: **Jan. 31, 2002**

(51) **LOC (7) Cl.** ..... **26-05**

(52) **U.S. Cl.** ..... **D26/67**

(58) **Field of Search** ..... D26/67, 68, 72,  
D26/74, 85; 362/147, 153, 153.1, 431;  
52/159.1

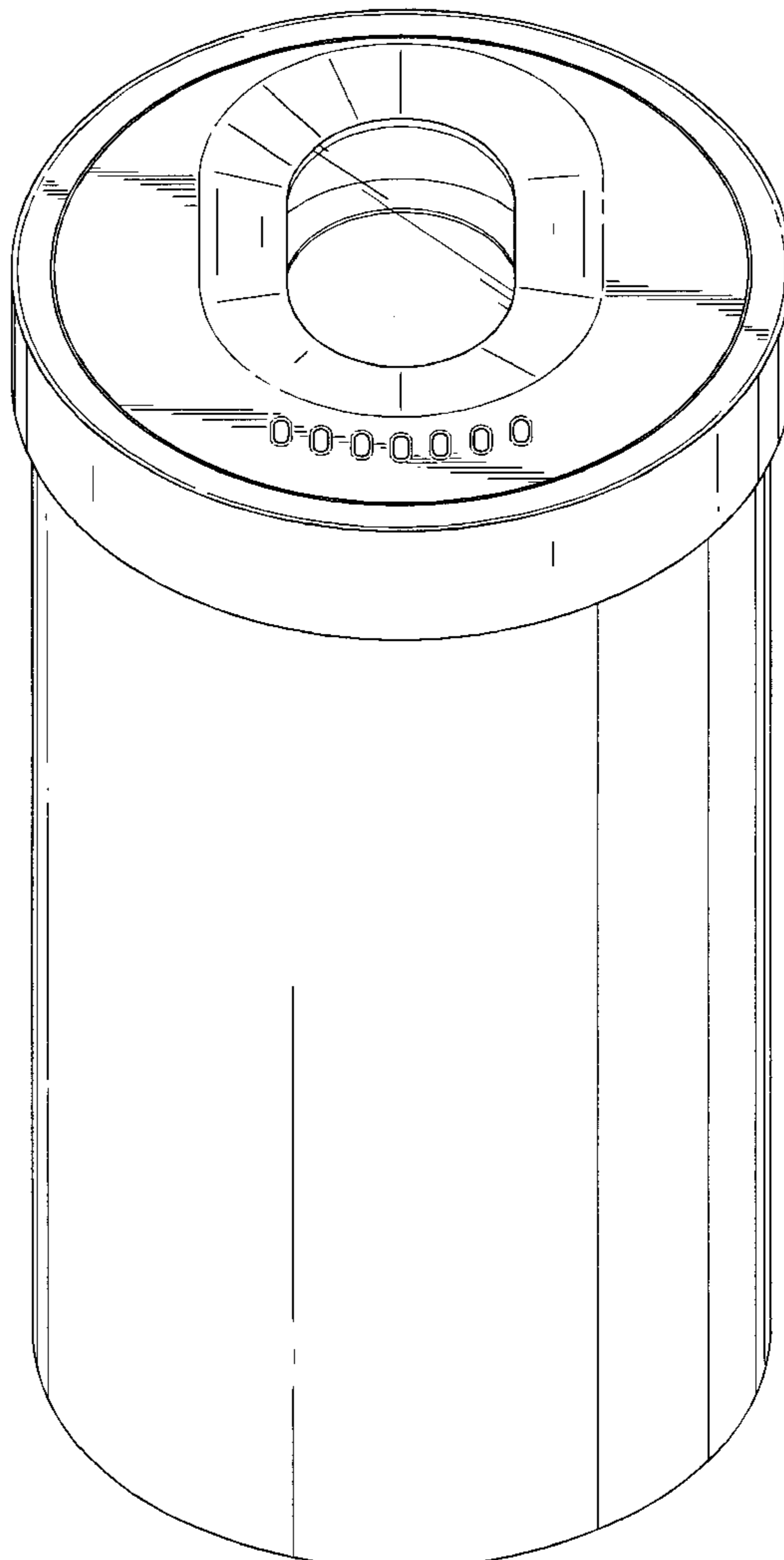
FIG. 1 is a side view of a lighting fixture showing our new design;  
FIG. 2 is a bottom view thereof;  
FIG. 3 is a top view thereof;  
FIG. 4 is a perspective view thereof;  
FIG. 5 is an exploded perspective view thereof, showing elements which may be seen through the top glass plate;  
FIG. 6 is a first exploded side view thereof; and,  
FIG. 7 is a second exploded side view thereof.

(56) **References Cited**

**U.S. PATENT DOCUMENTS**

D392,407 S \* 3/1998 Johnson et al. .... D26/67

**1 Claim, 6 Drawing Sheets**



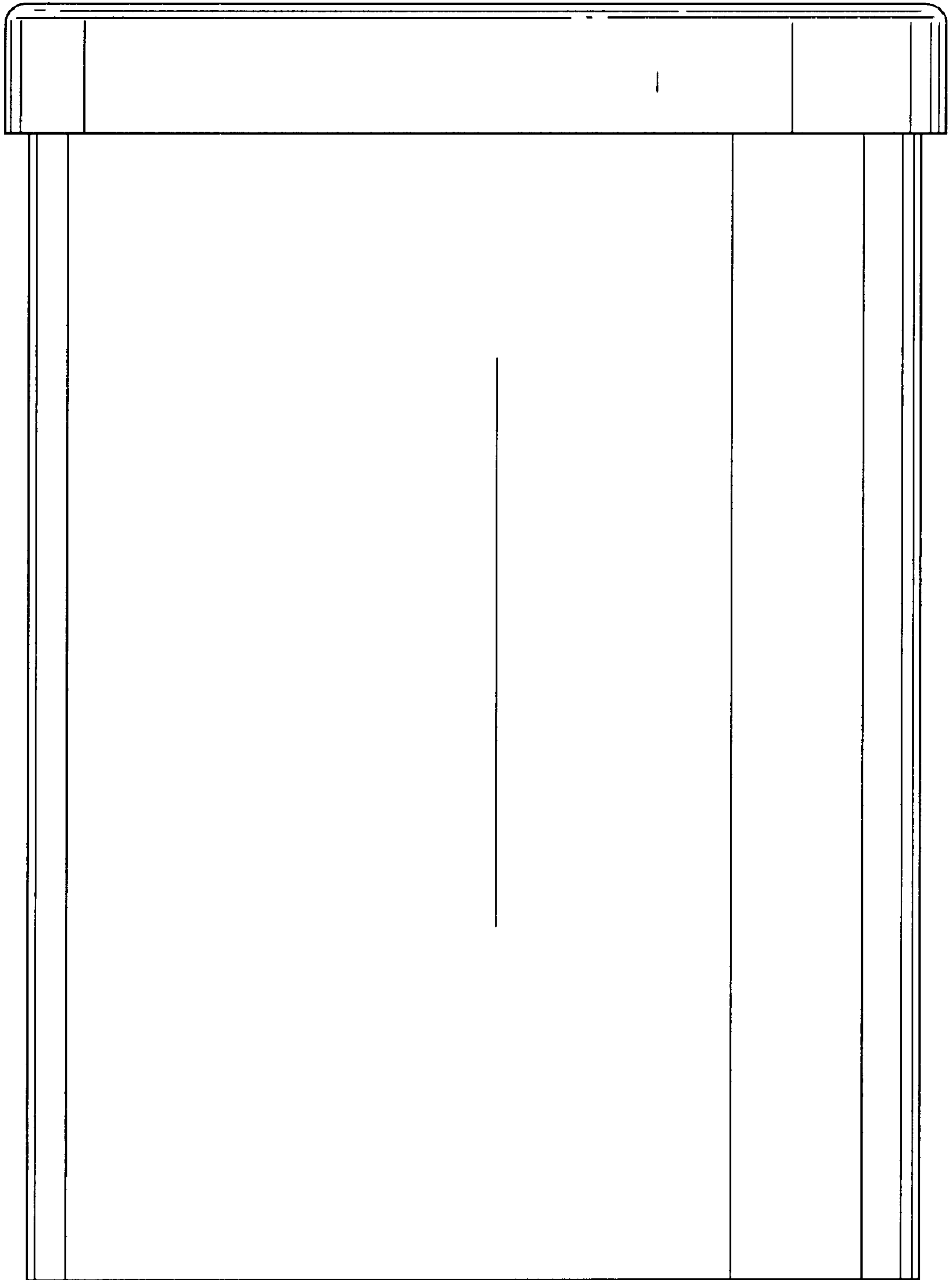


FIG. 1

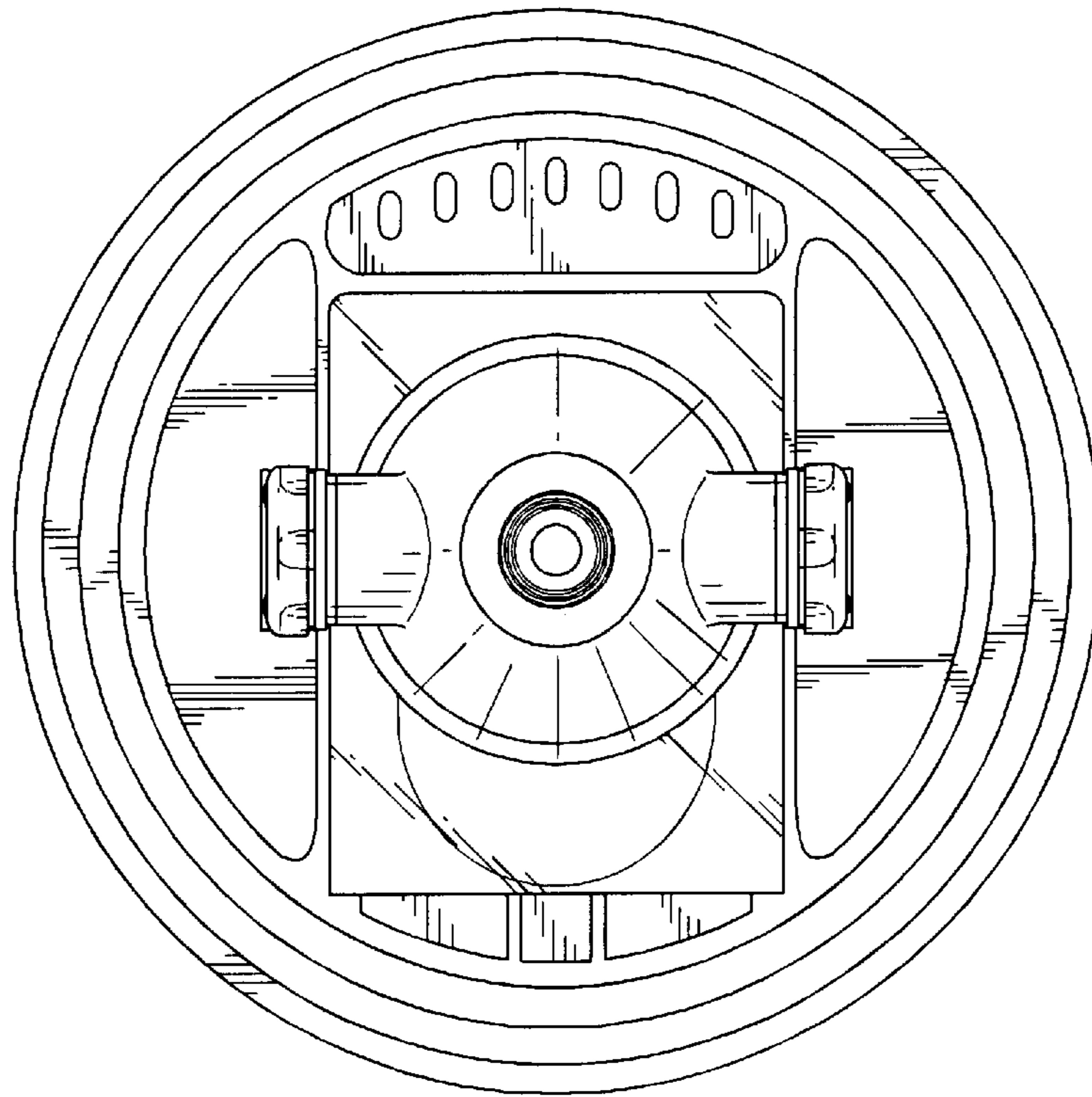


FIG. 2

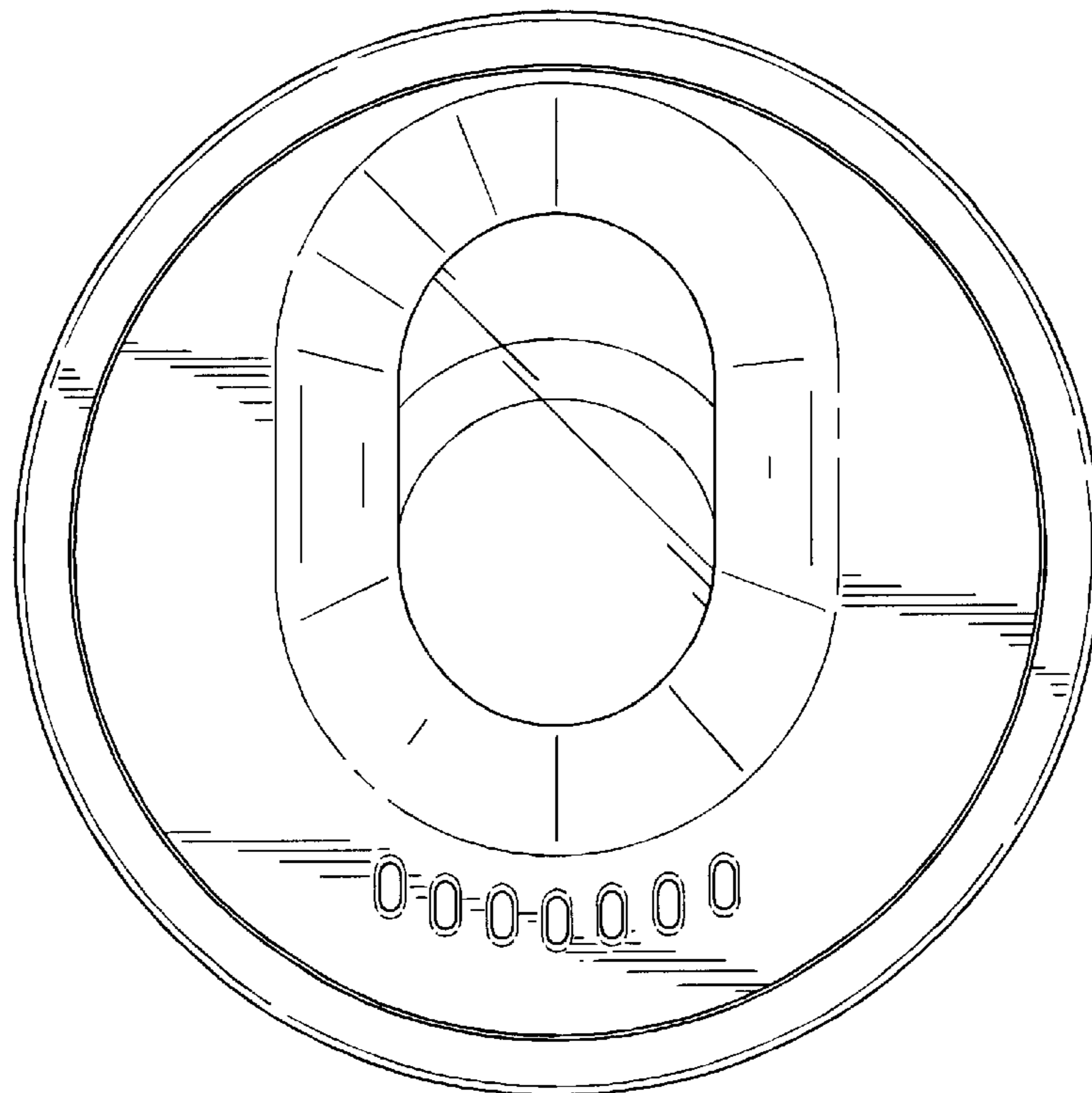


FIG. 3

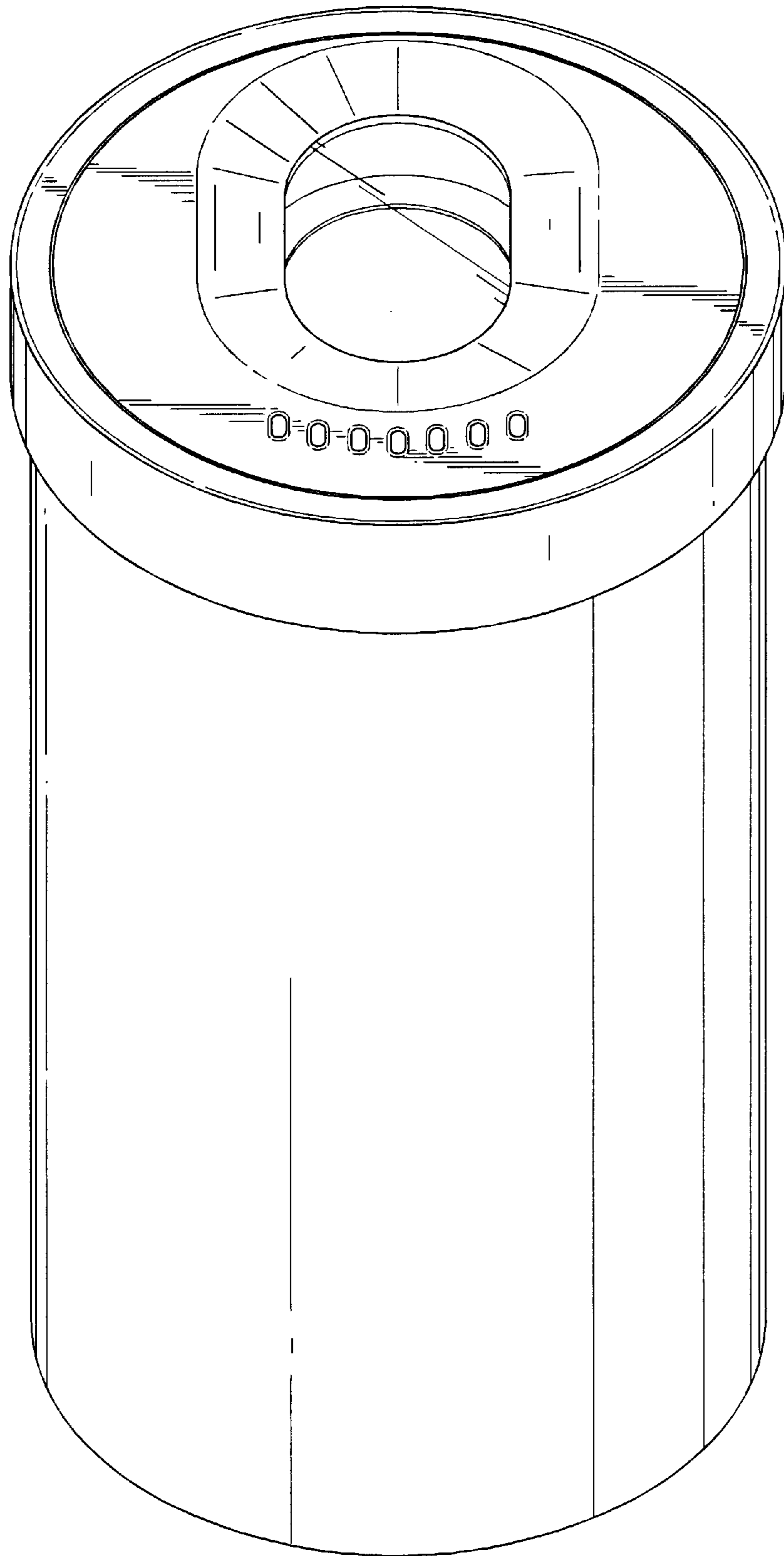


FIG.4

FIG.5

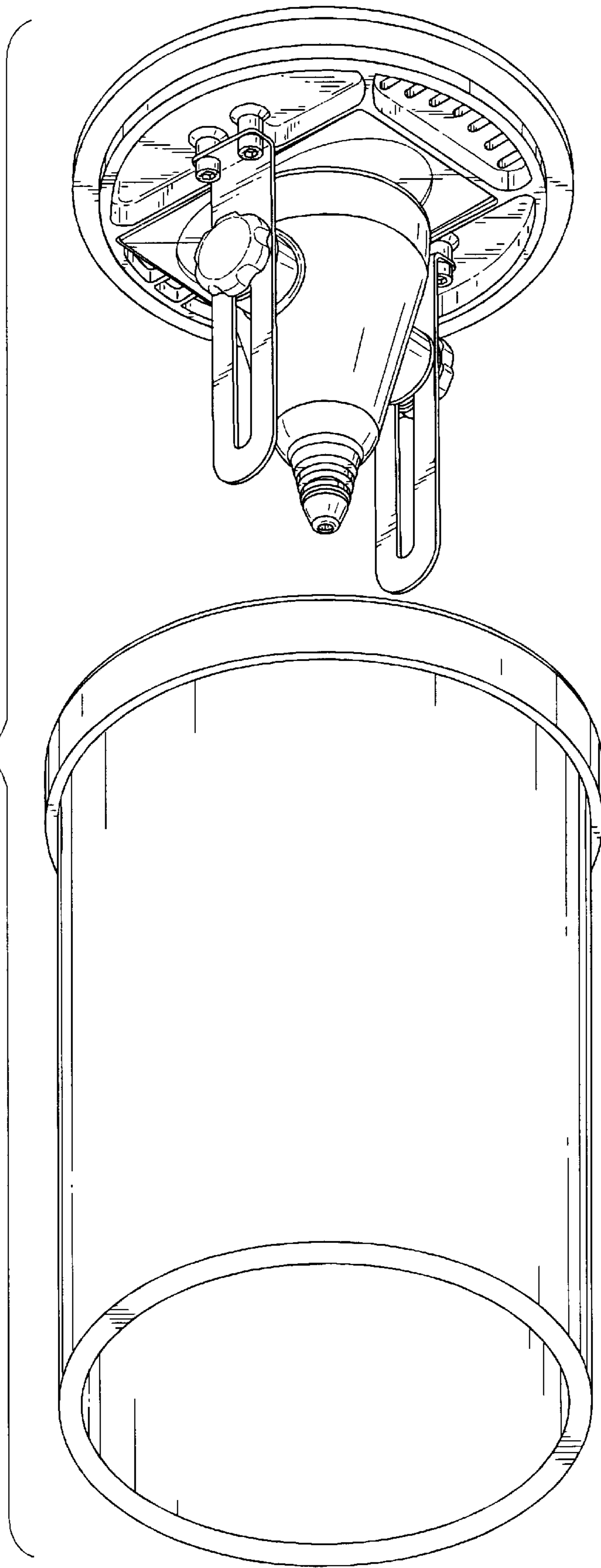


FIG.6

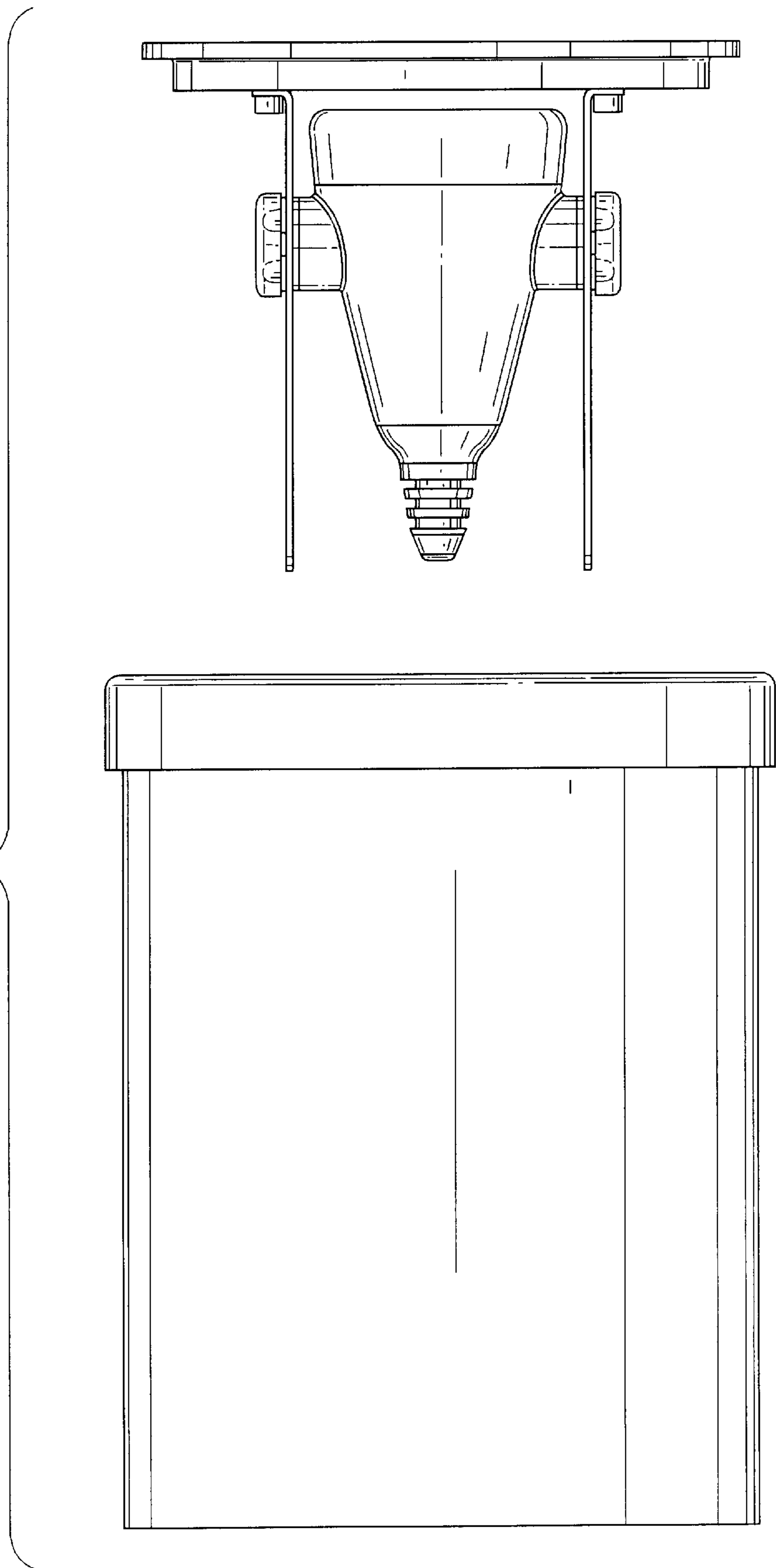


FIG.7

