



US00D461909S

(12) **United States Design Patent**
Rowland

(10) **Patent No.:** **US D461,909 S**

(45) **Date of Patent:** **** Aug. 20, 2002**

(54) **FOLDABLE STEPLADDER FOR USE ON A MOTOR VEHICLE**

Primary Examiner—Doris Clark

(76) **Inventor:** **Raymond H. Rowland**, P.O. Box 3704,
Crestline, CA (US) 92325

(57) **CLAIM**

The ornamental design for a foldable stepladder for use on a motor vehicle, as shown and described.

(**) **Term:** **14 Years**

DESCRIPTION

(21) **Appl. No.:** **29/149,589**

FIG. 1 is a first side view of a foldable stepladder for use on a motor vehicle showing my new design.

(22) **Filed:** **Oct. 15, 2001**

FIG. 2 is a second side view of the foldable stepladder for use on a motor vehicle.

(51) **LOC (7) Cl.** **25-04**

FIG. 3 is a front view of the foldable stepladder for use on a motor vehicle.

(52) **U.S. Cl.** **D25/64**

(58) **Field of Search** D25/63, 64; 182/156,
182/163, 21, 22, 23

FIG. 4 is a rear view of the foldable stepladder for use on a motor vehicle.

(56) **References Cited**

U.S. PATENT DOCUMENTS

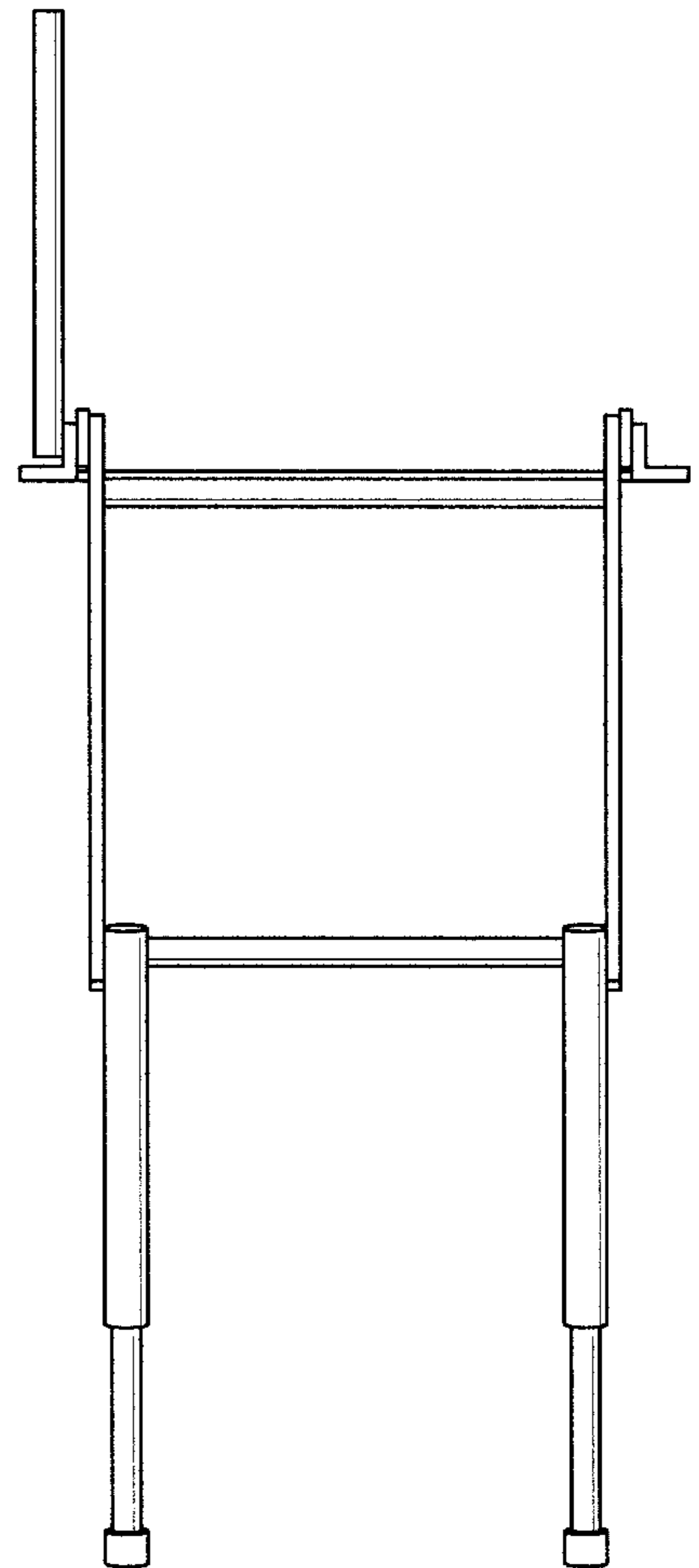
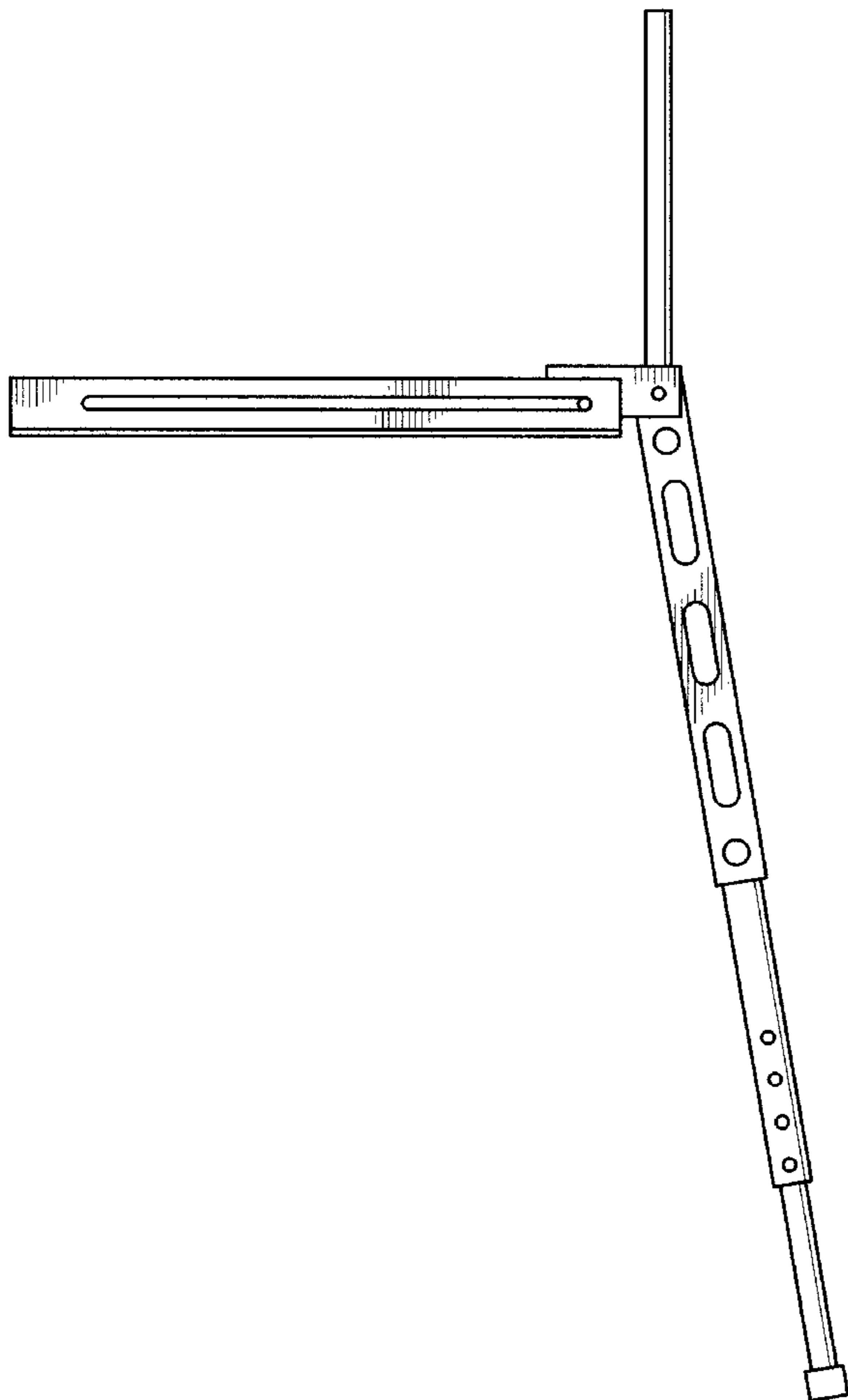
D242,925 S * 1/1977 Salter D25/64

FIG. 5 is a top view of the foldable stepladder for use on a motor vehicle; and,

FIG. 6 is a bottom view of the foldable stepladder for use on a motor vehicle.

* cited by examiner

1 Claim, 6 Drawing Sheets



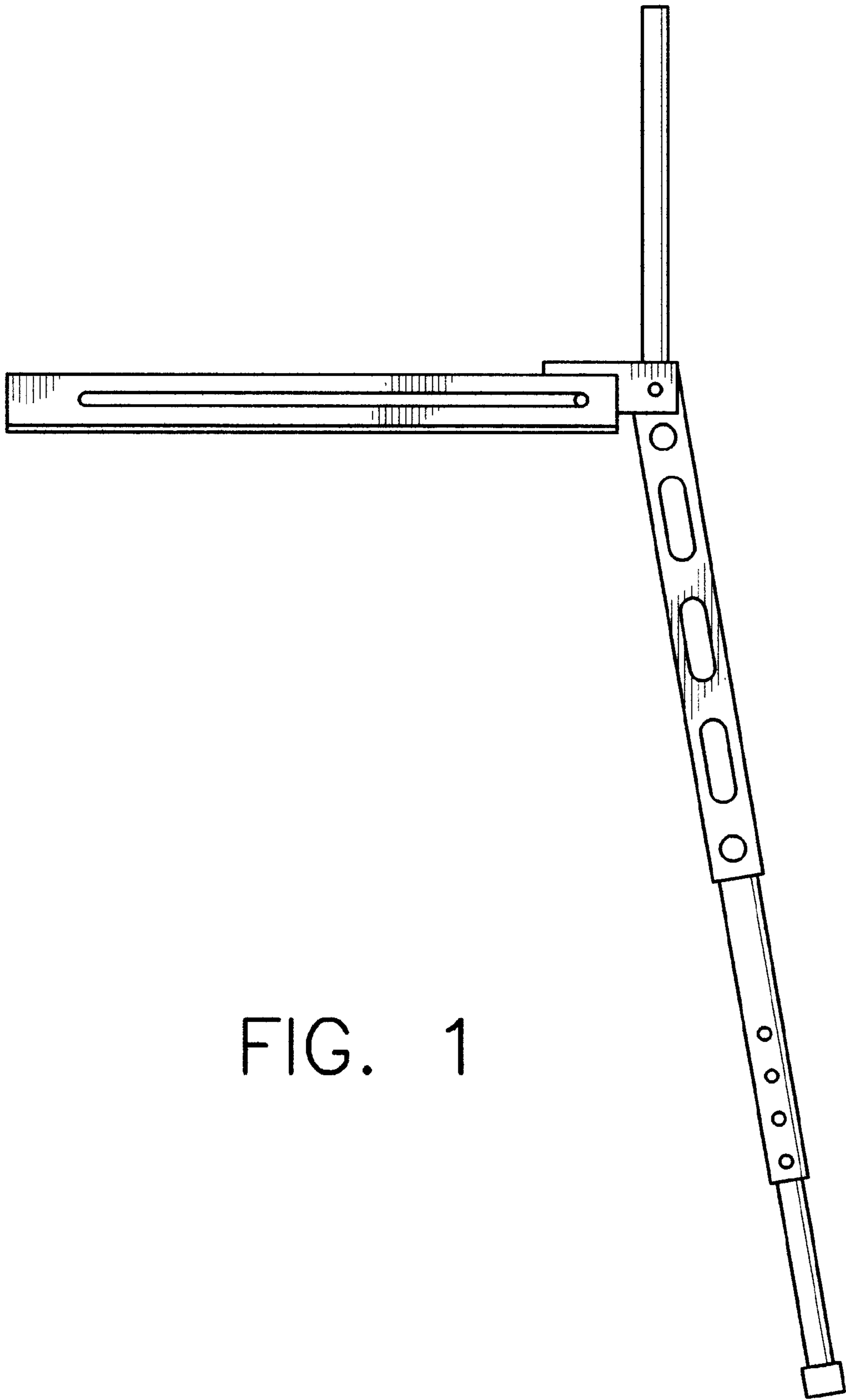


FIG. 1

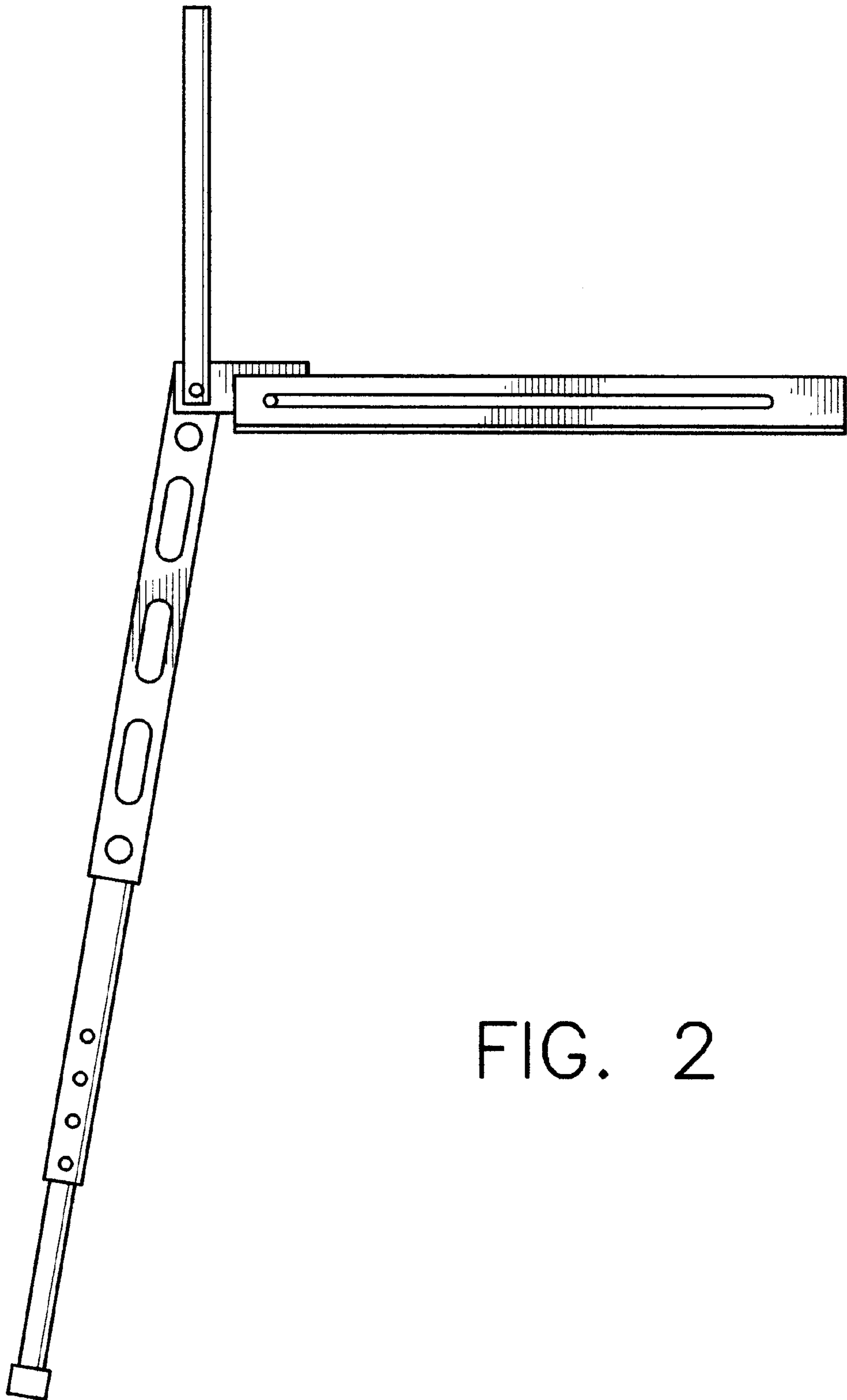


FIG. 2

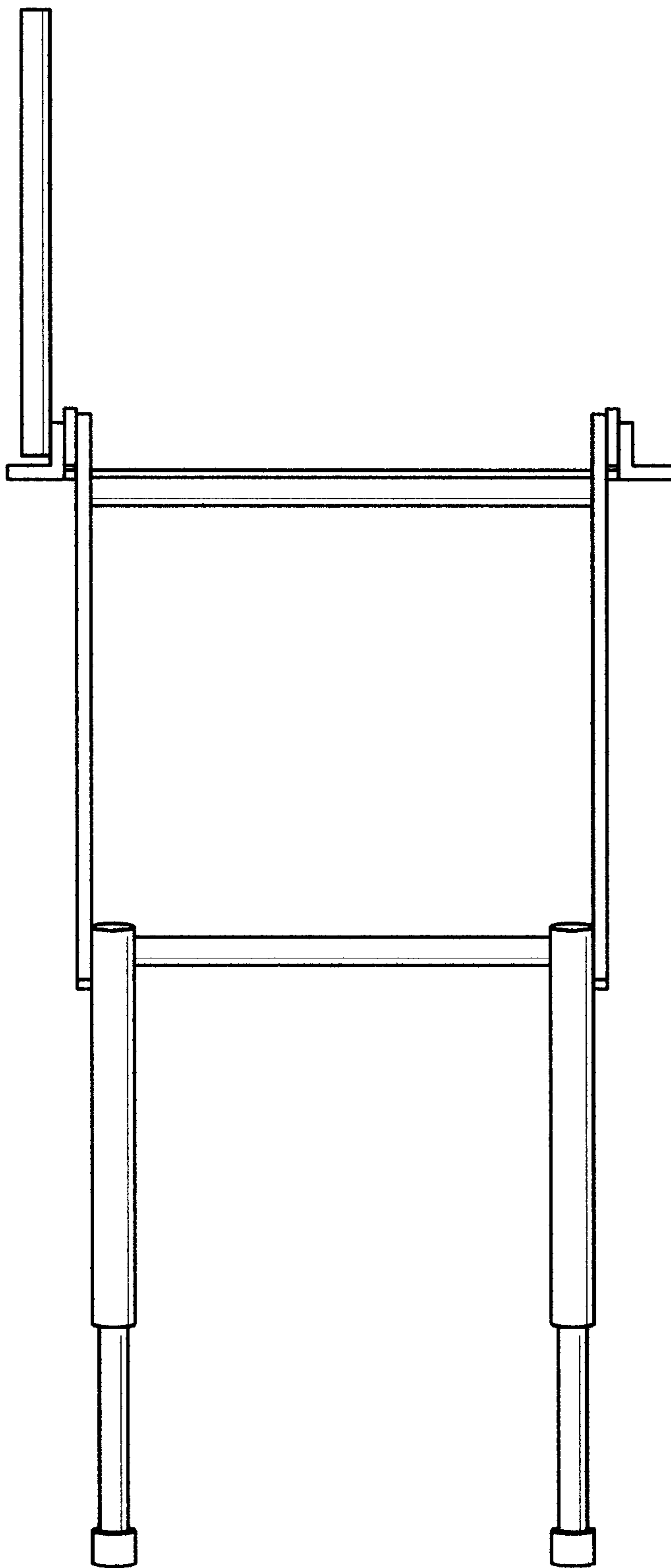


FIG. 3

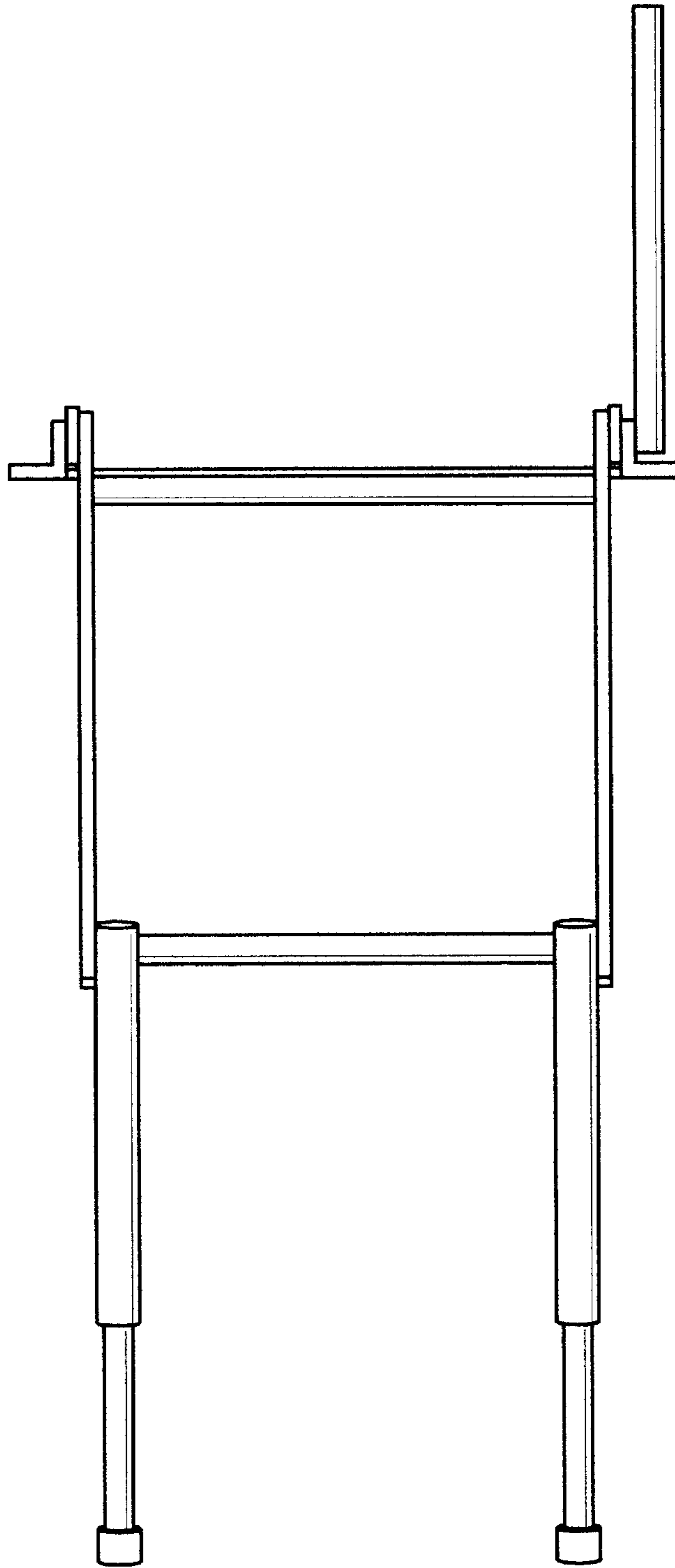


FIG. 4

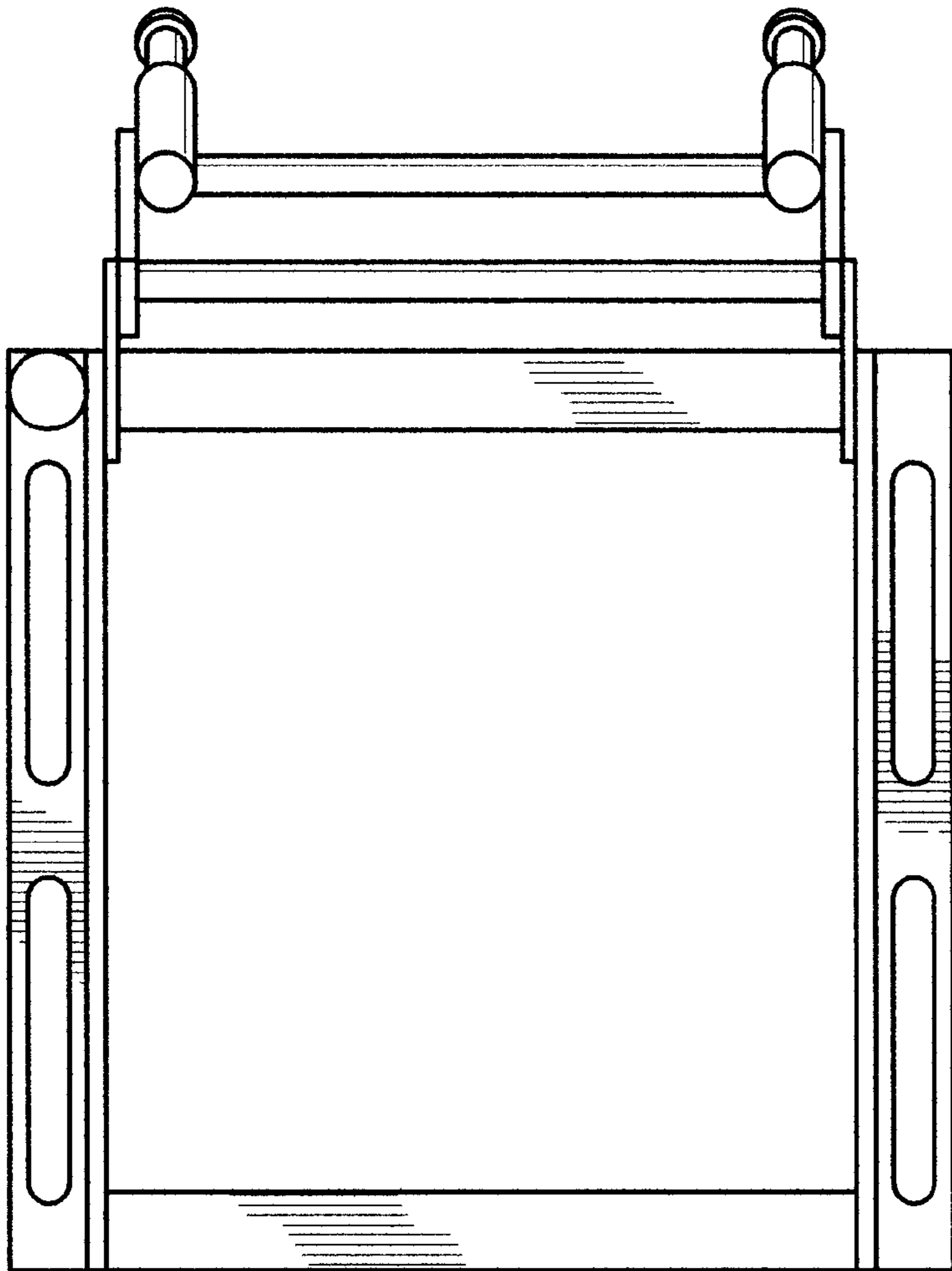


FIG. 5

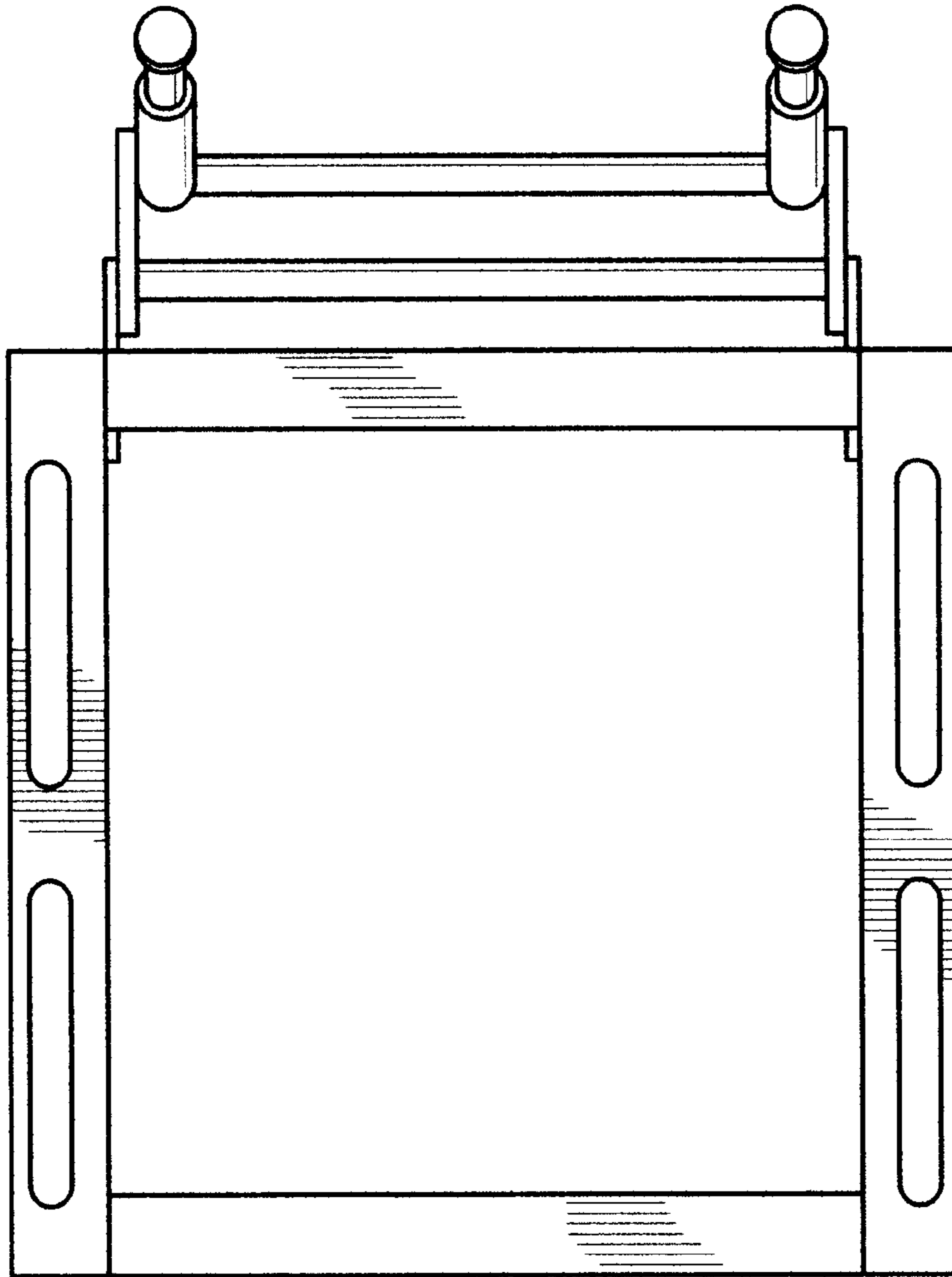


FIG. 6