



US00D461902S

(12) **United States Design Patent**  
**Duran**

(10) **Patent No.: US D461,902 S**

(45) **Date of Patent: \*\* Aug. 20, 2002**

(54) **BABY TEETHER AND RATTLE**

D339,084 S \* 9/1993 Ehrenhalt ..... D11/81  
D443,932 S \* 6/2001 Wickerman ..... D24/196

(76) Inventor: **Arcelia Duran**, 4732 Landis Ave.,  
Baldwin Park, CA (US) 91706

\* cited by examiner

(\*\*) Term: **14 Years**

*Primary Examiner*—Stella Reid

(74) *Attorney, Agent, or Firm*—Goldstein & Lavas, P.C

(21) Appl. No.: **29/152,665**

(57) **CLAIM**

(22) Filed: **Oct. 25, 2001**

The ornamental design for a baby teether and rattle, as shown and described.

(51) **LOC (7) Cl.** ..... **24-04**

(52) **U.S. Cl.** ..... **D24/194**

(58) **Field of Search** ..... D24/194, 193;  
606/234, 235, 236

**DESCRIPTION**

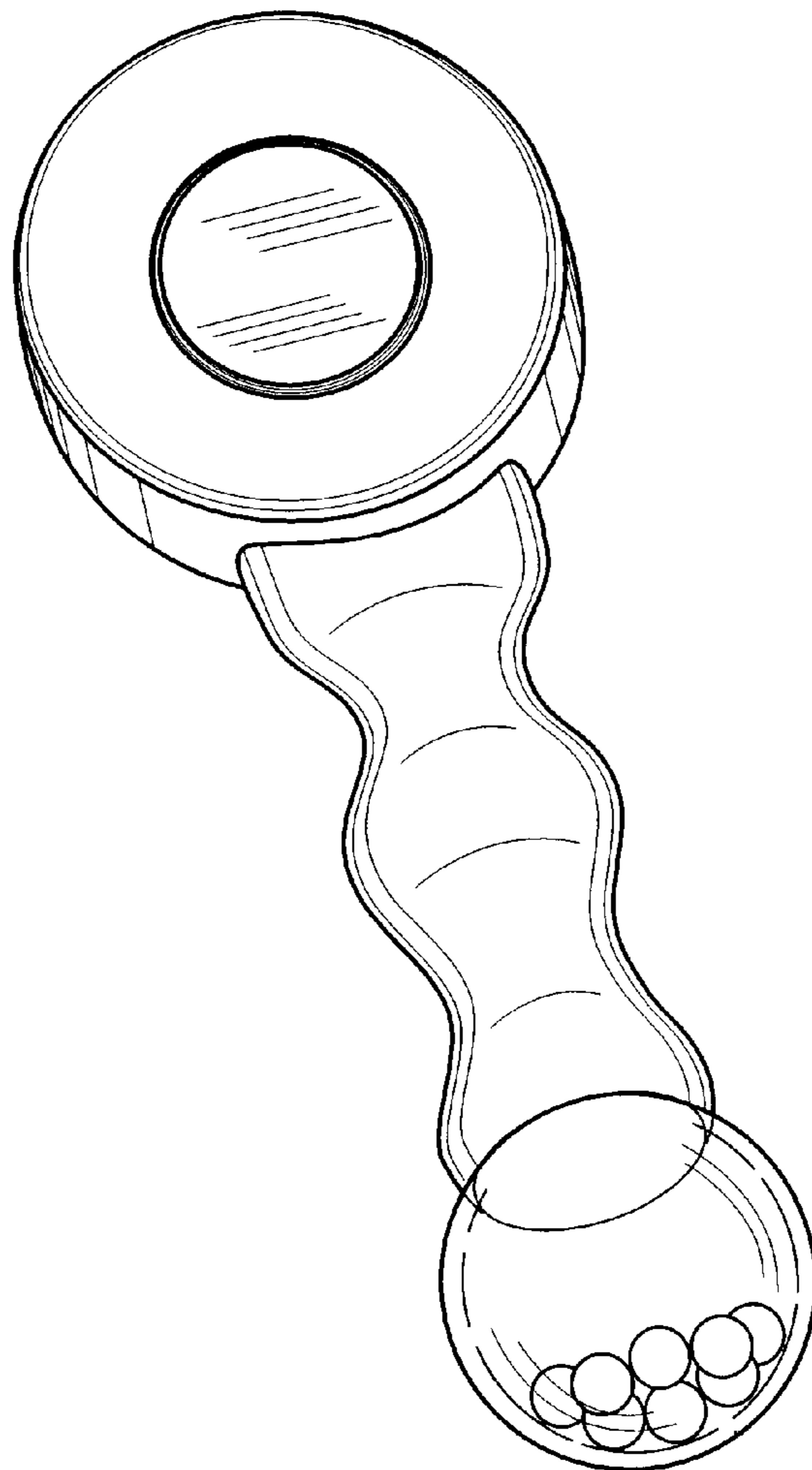
FIG. 1 is a perspective view of a baby teether and rattle.  
FIG. 2 is a front elevational view thereof.  
FIG. 3 is a rear elevational view thereof.  
FIG. 4 is a right side elevational view thereof.  
FIG. 5 is a left side elevational view thereof.  
FIG. 6 is a top plan view of the baby teether and rattle; and,  
FIG. 7 is a bottom plan view thereof.

(56) **References Cited**

**U.S. PATENT DOCUMENTS**

745,920 A \* 12/1903 Spencer ..... 606/236  
2,532,116 A \* 11/1950 Monaco ..... 606/236  
2,743,727 A \* 5/1956 Griesinger ..... 606/235 X  
D260,431 S \* 8/1981 Hurst ..... D24/194  
D335,928 S \* 5/1993 Williams ..... D24/194

**1 Claim, 4 Drawing Sheets**



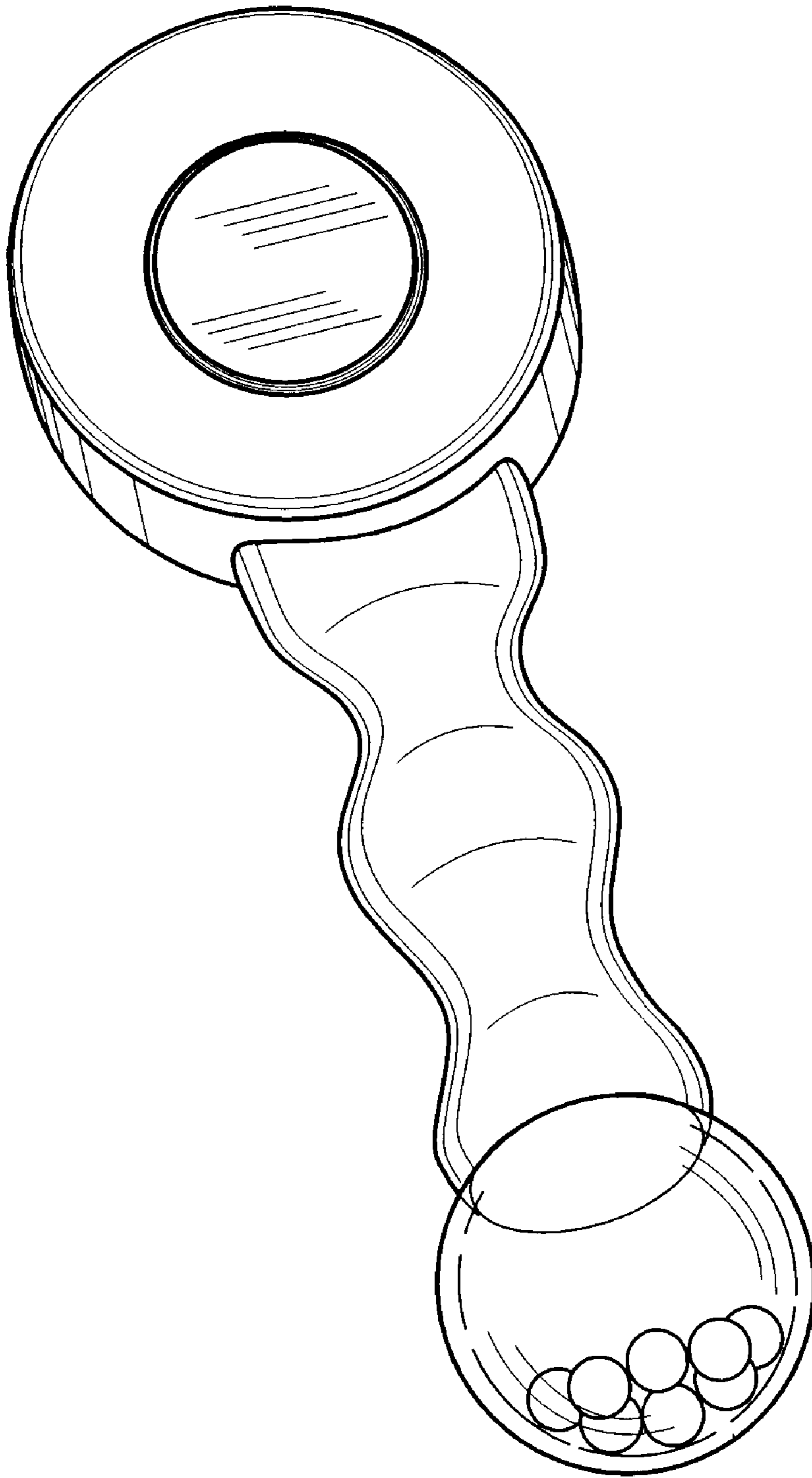


FIG. 1

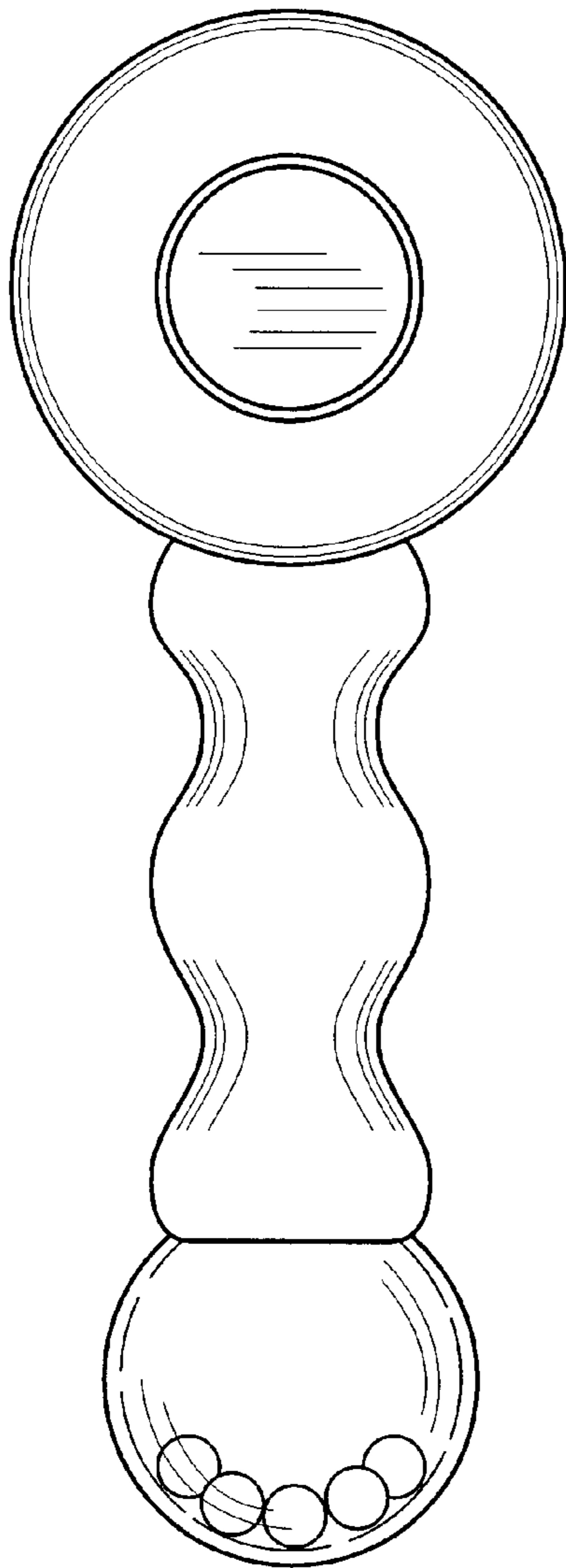


FIG. 2

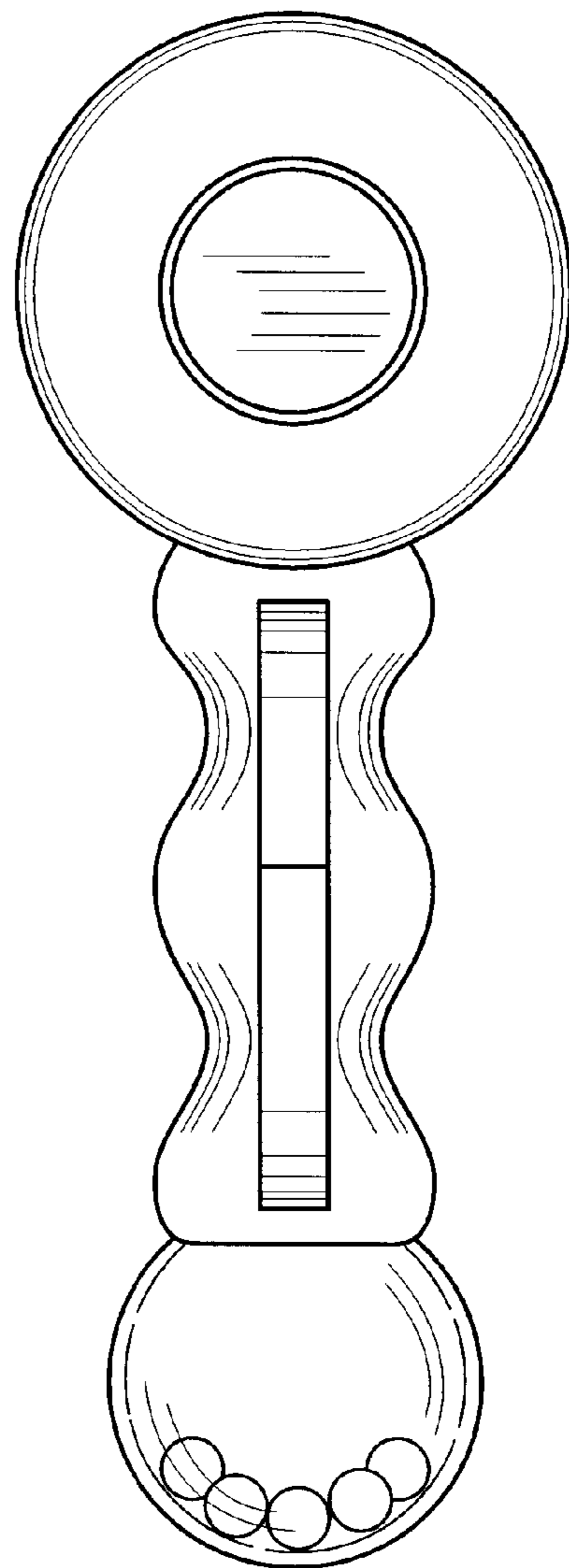


FIG. 3

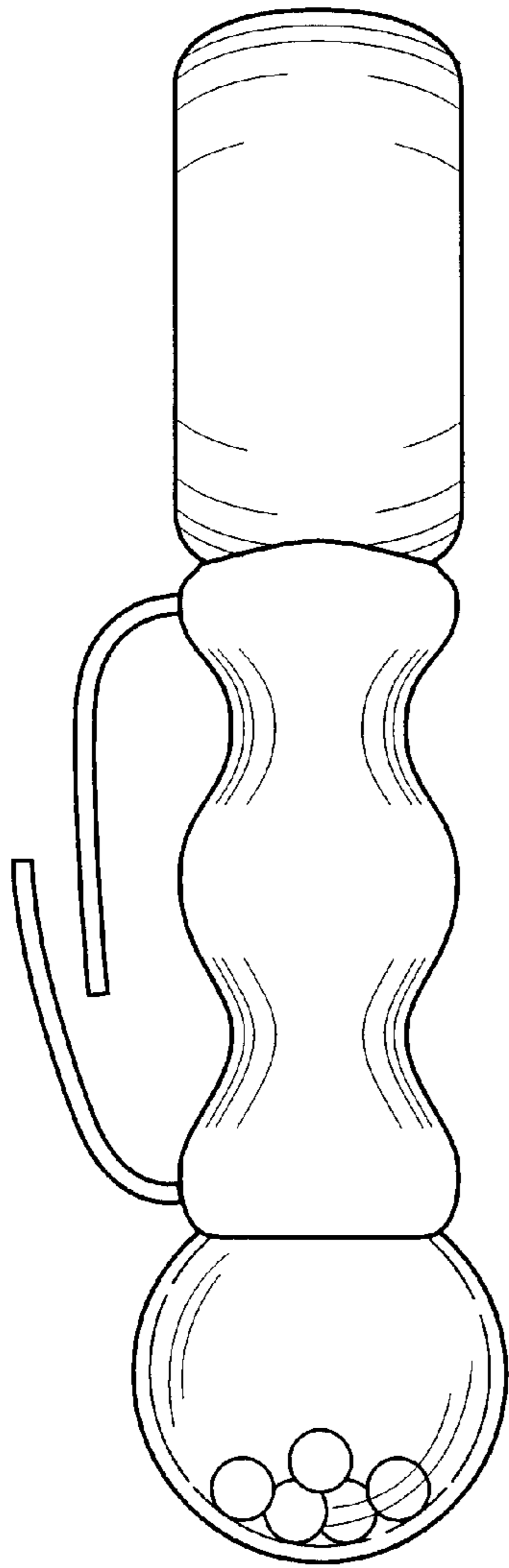


FIG. 4

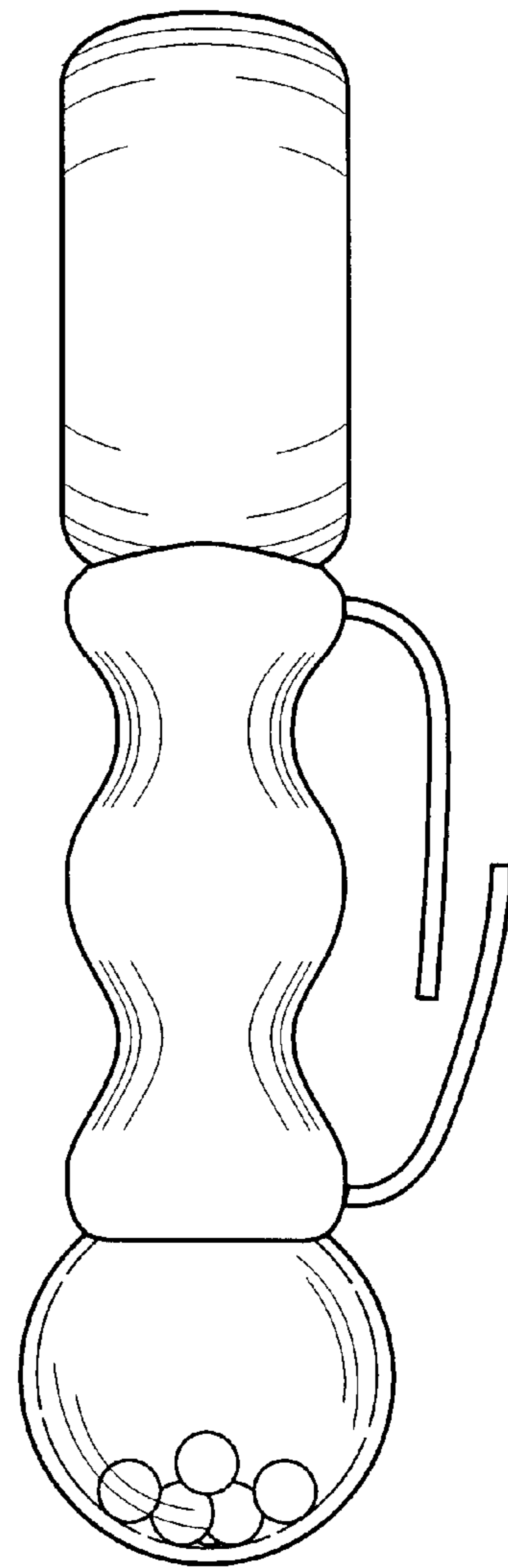


FIG. 5

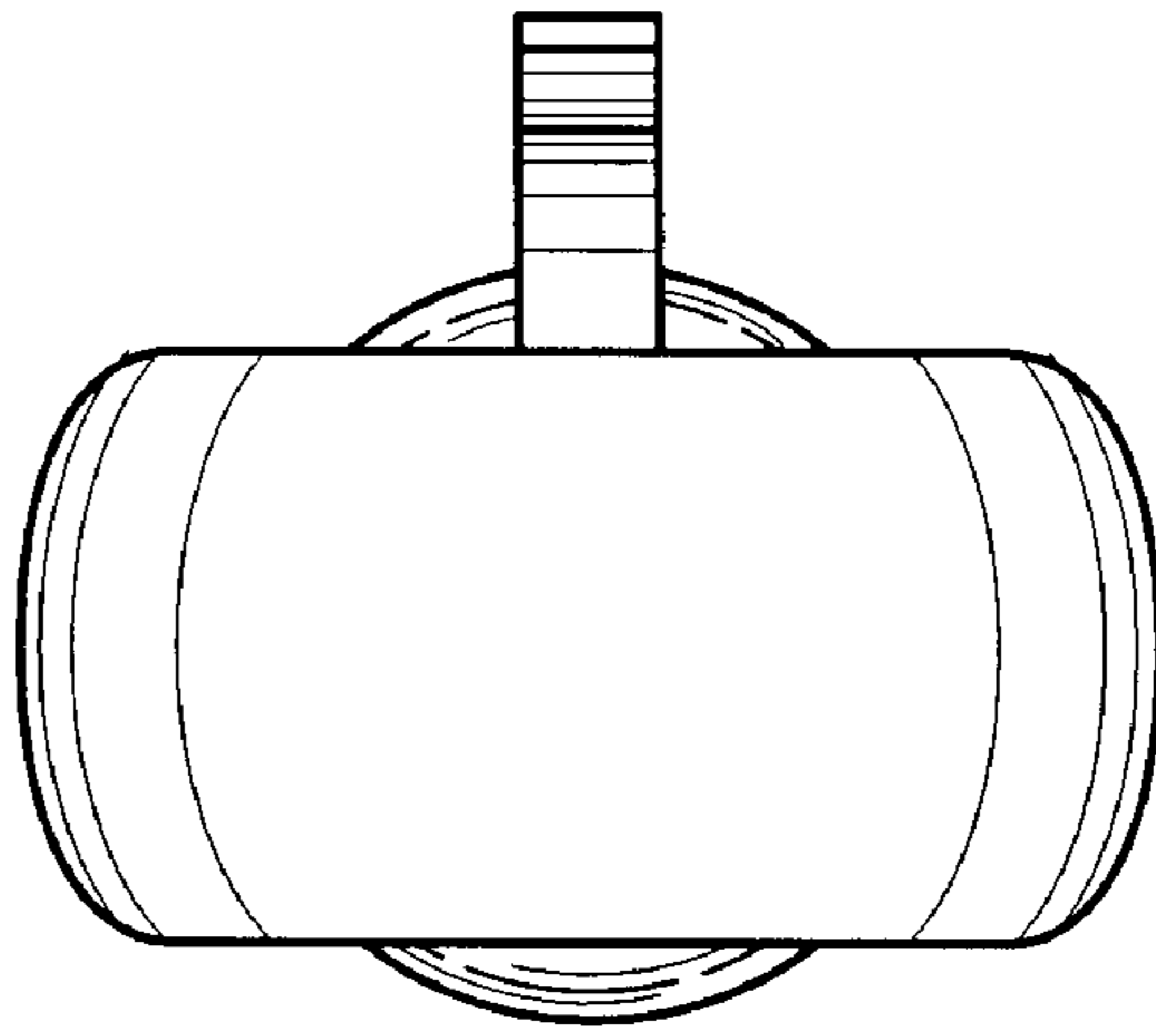


FIG. 6

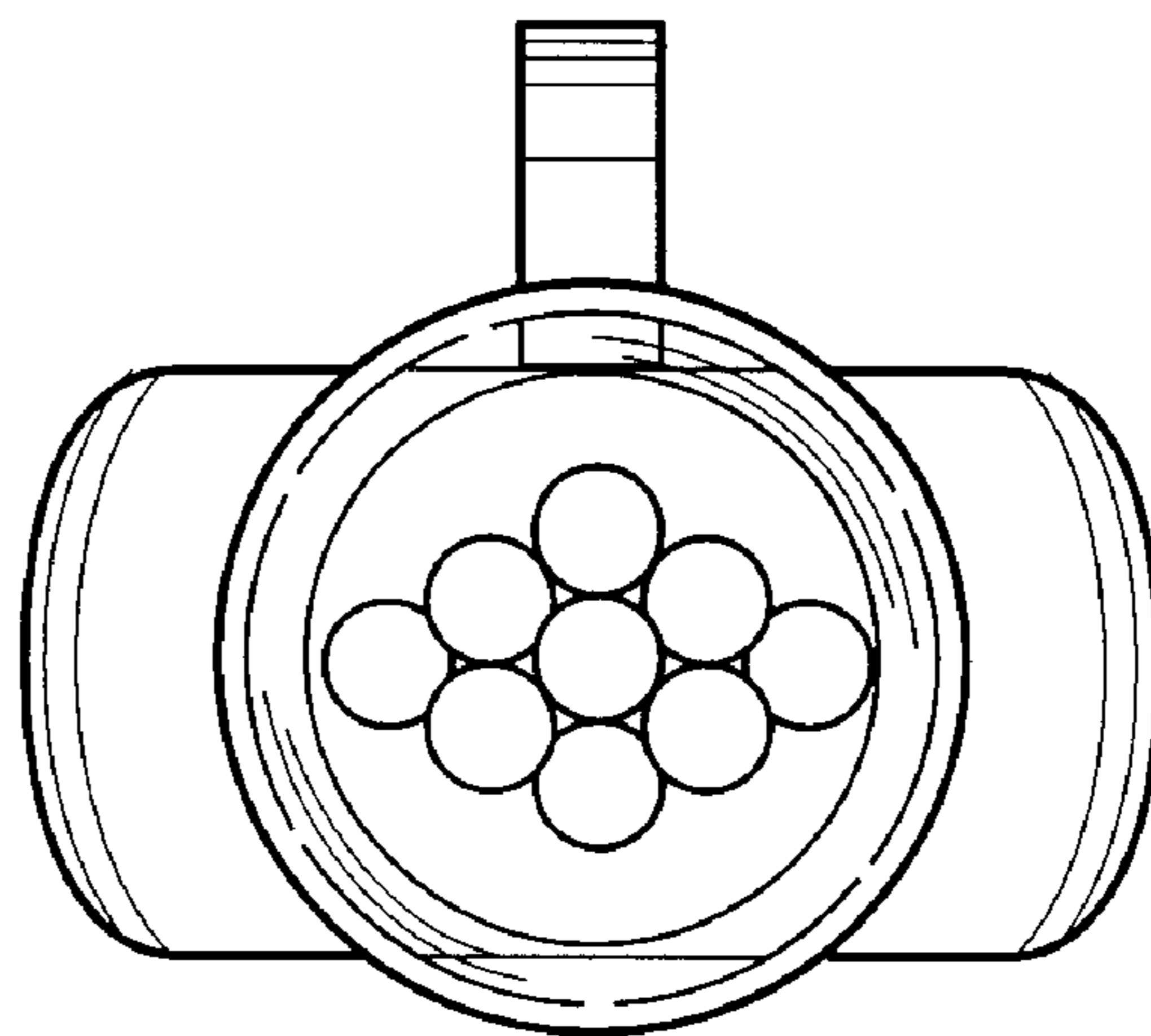


FIG. 7