



US00D461899S

(12) **United States Design Patent** (10) **Patent No.:** **US D461,899 S**
Siepmann et al. (45) **Date of Patent:** **** Aug. 20, 2002**

(54) **MEDICAL EXAMINATION TABLE**

(75) Inventors: **Paul J. Siepmann**, Hartland; **Michael J. Marchant**, Franklin; **Vanessa B. Parrish**, Milwaukee; **John J. Simerlein**, Germantown; **Mark A. Gilbertson**, Sauk City, all of WI (US)

(73) Assignee: **The Brewer Company, LLC**, Menomonee Falls, WI (US)

(**) Term: **14 Years**

(21) Appl. No.: **29/154,381**

(22) Filed: **Jan. 22, 2002**

Related U.S. Application Data

(63) Continuation of application No. 29/143,765, filed on Jun. 19, 2001.

(51) **LOC (7) Cl.** **24-01**

(52) **U.S. Cl.** **D24/183**

(58) **Field of Search** D24/183; 5/600, 5/607, 610, 612, 616, 617; 312/209

D207,483 S	4/1967	Dottinger
3,334,951 A	8/1967	Douglass, Jr. et al.
3,348,893 A	10/1967	Katzfey et al.
3,409,287 A	11/1968	Chervenka
3,413,663 A	12/1968	Swann
3,499,529 A	3/1970	Katzfey et al.
3,638,935 A	2/1972	Lelugas et al.
3,658,317 A	4/1972	Bartlett et al.
3,814,414 A	6/1974	Chapa
3,944,205 A	3/1976	Mueller
4,003,704 A	1/1977	Zurolo et al.
4,034,972 A	7/1977	Peterson
D245,287 S	8/1977	Damico et al.
4,045,078 A	8/1977	Shine
4,057,240 A	11/1977	Damico et al.
4,076,230 A	2/1978	Pike
D250,043 S	10/1978	Shine
4,168,099 A	9/1979	Jacobs et al.
4,180,002 A	12/1979	Huempfer
4,221,371 A	9/1980	Kuphal
4,284,268 A	8/1981	Gauthier
4,287,422 A	9/1981	Kuphal et al.
D263,777 S	4/1982	Thompson
4,322,899 A	4/1982	Clune
D265,241 S	6/1982	Patterson
D265,242 S	6/1982	Patterson

(List continued on next page.)

(56) **References Cited**

U.S. PATENT DOCUMENTS

217,646 A	7/1879	Sherer
487,625 A	12/1892	Kales
488,649 A	12/1892	Daggett
542,060 A	7/1895	Lentz
1,039,708 A	10/1912	Denquer
1,684,889 A	9/1928	Russ
1,891,629 A	12/1932	Van Wagner
1,967,422 A	7/1934	Nadelson
2,267,973 A	12/1941	Demcak
2,272,819 A	2/1942	Poetsch et al.
2,606,801 A	8/1952	Shampaine
D170,305 S	9/1953	Claus
2,652,887 A	9/1953	Fitzgerald
2,679,445 A	5/1954	Roehm
3,016,275 A	1/1962	Grant
D204,222 S	3/1966	Dailey
D207,081 S	2/1967	Katzfey et al.

Primary Examiner—Stella Reid

(74) *Attorney, Agent, or Firm*—Ryan Kromholz & Manion, S.C.

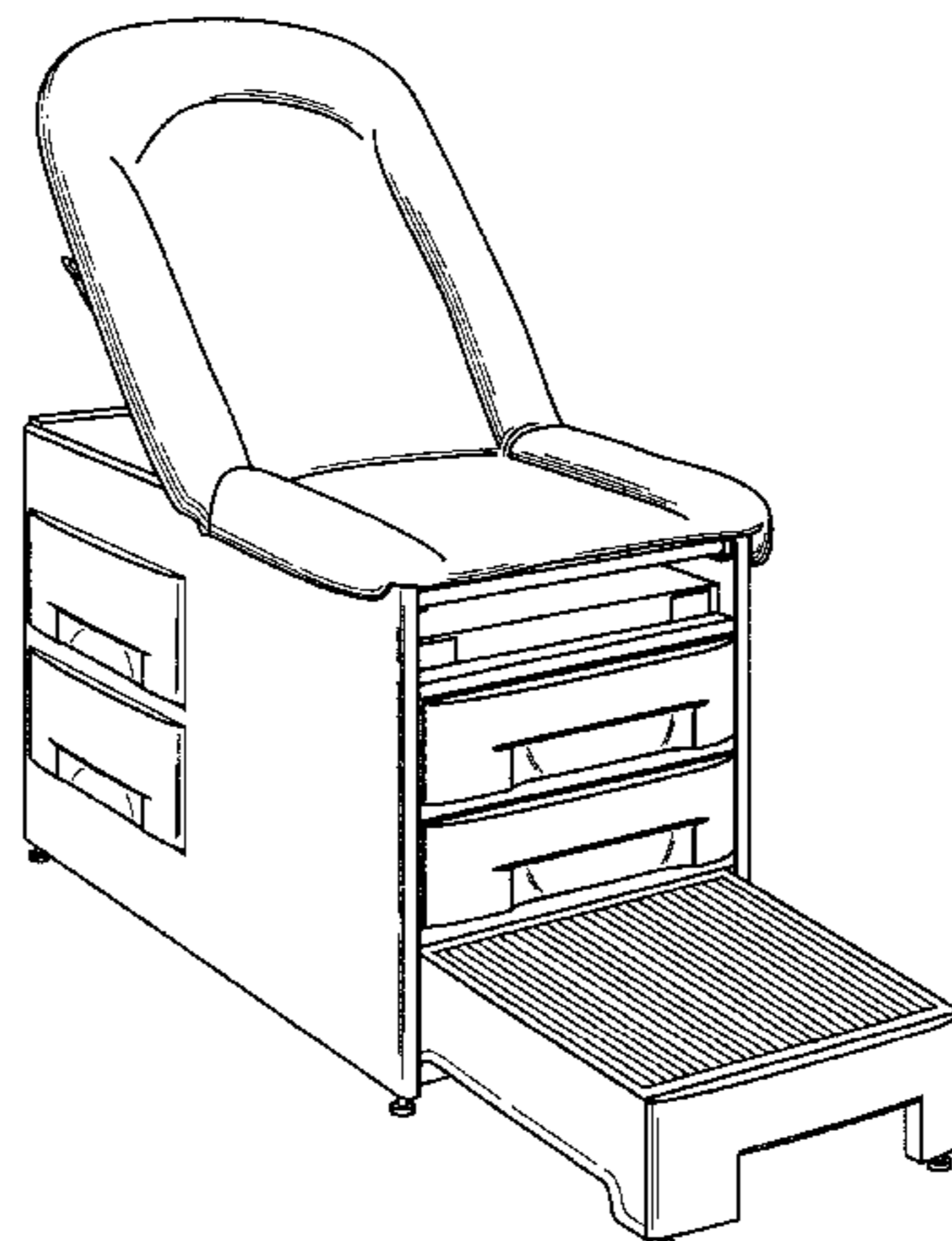
(57) **CLAIM**

The ornamental design for a medical examination table, as shown and described.

DESCRIPTION

FIG. 1 is a perspective view of a medical examination table, showing our new design;
 FIG. 2 is a perspective view of the medical examination table with the top in an alternate position;
 FIG. 3 is a front elevational view thereof;
 FIG. 4 is a rear elevational view thereof; and
 FIG. 5 is a left side elevational view thereof;
 FIG. 6 is a right side elevational view thereof; and,
 FIG. 7 is a top plan view thereof.

1 Claim, 4 Drawing Sheets



US D461,899 S

Page 2

U.S. PATENT DOCUMENTS

D266,023 S	8/1982	McLachlan	D330,813 S	11/1992	Spitzer et al.
D266,765 S	11/1982	Clune	5,203,135 A	4/1993	Bastian
4,383,351 A	5/1983	Fenwick	D335,409 S	5/1993	Kellems
4,407,687 A	10/1983	Mitchell	5,208,928 A	5/1993	Kuck et al.
4,506,872 A	3/1985	Westerberg et al.	5,223,229 A	6/1993	Brucker
4,508,387 A	4/1985	Gilbert et al.	D341,737 S	11/1993	Shepherd
D278,668 S	5/1985	Simpkins	5,269,326 A	12/1993	Verrier
4,516,805 A	5/1985	Leeper et al.	D344,802 S	3/1994	Kuck et al.
4,529,185 A	7/1985	Gutierrez	D345,266 S	3/1994	Koguma
4,547,092 A	10/1985	Vetter et al.	5,329,657 A	7/1994	Bartley et al.
4,552,403 A	11/1985	Yindra	5,339,750 A	8/1994	Smies
D282,398 S	1/1986	Yindra	5,345,632 A	9/1994	Langenaeken
4,586,398 A	5/1986	Yindra	5,369,825 A	12/1994	Ressby
4,586,762 A	5/1986	Kennedy et al.	5,369,827 A	12/1994	Parke et al.
4,600,248 A	7/1986	Pflieger	5,403,549 A	4/1995	McNeil
4,602,756 A	7/1986	Chatfield	5,426,795 A	6/1995	Harty
4,606,575 A	8/1986	Kodet	D365,224 S	12/1995	Pohlman
D286,481 S	11/1986	Case et al.	5,472,270 A	12/1995	Czarnecky et al.
4,653,129 A	3/1987	Kuck et al.	5,496,105 A	3/1996	Czarnecky et al.
4,667,605 A	5/1987	Bastian	5,507,050 A	4/1996	Welner
4,691,393 A	9/1987	Kuck	D370,572 S	6/1996	Lin
4,700,916 A	10/1987	Bastian et al.	5,538,215 A	7/1996	Hosey
4,716,840 A	1/1988	Tringali et al.	5,564,662 A	10/1996	Lussi et al.
4,717,102 A	1/1988	Pflieger	5,565,834 A	10/1996	Hanley
4,732,089 A	3/1988	Mueller	5,568,209 A	10/1996	Priester et al.
4,732,430 A	3/1988	Byrns	5,568,817 A	10/1996	Harty et al.
4,750,305 A	6/1988	Bastian	5,628,078 A	5/1997	Pennington et al.
4,752,977 A	6/1988	Smith et al.	5,638,644 A	6/1997	Bastian
D297,597 S	9/1988	Simpkins et al.	5,655,238 A	8/1997	Stickey et al.
4,796,846 A	1/1989	Meier et al.	5,661,859 A	9/1997	Schaefer
4,805,365 A	2/1989	Bastian	5,678,267 A	10/1997	Kinder
D300,657 S	4/1989	Simpkins et al.	5,680,957 A	10/1997	Liu
4,819,569 A	4/1989	Bastian et al.	D386,634 S	11/1997	Daug
4,821,350 A	4/1989	Feldt	5,754,997 A	5/1998	Lussi et al.
D300,997 S	5/1989	Simpkins et al.	5,771,513 A	6/1998	Kirchgeorg et al.
4,826,117 A	5/1989	Bastian et al.	5,781,943 A	7/1998	Moenning et al.
D301,925 S	6/1989	Simpkins et al.	5,855,207 A	1/1999	Moenning et al.
4,846,431 A	7/1989	Pflieger	D404,945 S	2/1999	Simpkins et al.
4,852,941 A	8/1989	Jones	D408,537 S	4/1999	Stickley et al.
4,905,266 A	2/1990	Kuck et al.	D408,538 S	4/1999	Simpkins et al.
4,916,725 A	4/1990	Quinter et al.	D408,539 S	4/1999	Simpkins
4,956,592 A	9/1990	Schulte et al.	5,913,773 A	6/1999	Cox
4,958,816 A	9/1990	Chaney et al.	5,919,131 A	7/1999	Smoler et al.
4,961,610 A	10/1990	Reeder et al.	5,924,960 A	7/1999	Cohen
4,966,351 A	10/1990	Klepacki	5,953,773 A	9/1999	Asada et al.
4,968,013 A	11/1990	Kuck	D417,098 S	11/1999	Teufel et al.
4,973,034 A	11/1990	Michele	D417,571 S	12/1999	Teufel et al.
D319,158 S	8/1991	Jones et al.	D418,225 S	12/1999	Simpkins et al.
5,037,053 A	8/1991	Fox et al.	6,023,800 A	2/2000	Stickley
D321,097 S	10/1991	Jones et al.	6,038,718 A	3/2000	Pennington et al.
5,078,349 A	1/1992	Smith	D428,629 S	7/2000	Cohen
5,081,808 A	1/1992	Bastian et al.	6,101,652 A	8/2000	Matern, Jr.
5,084,927 A	2/1992	Parkevich	6,115,978 A	9/2000	Bastian et al.
D326,381 S	5/1992	Heiligenthal et al.	6,131,214 A	10/2000	Moenning et al.
D330,771 S	11/1992	Chaney et al.	6,209,463 B1	4/2001	Koharchik et al.

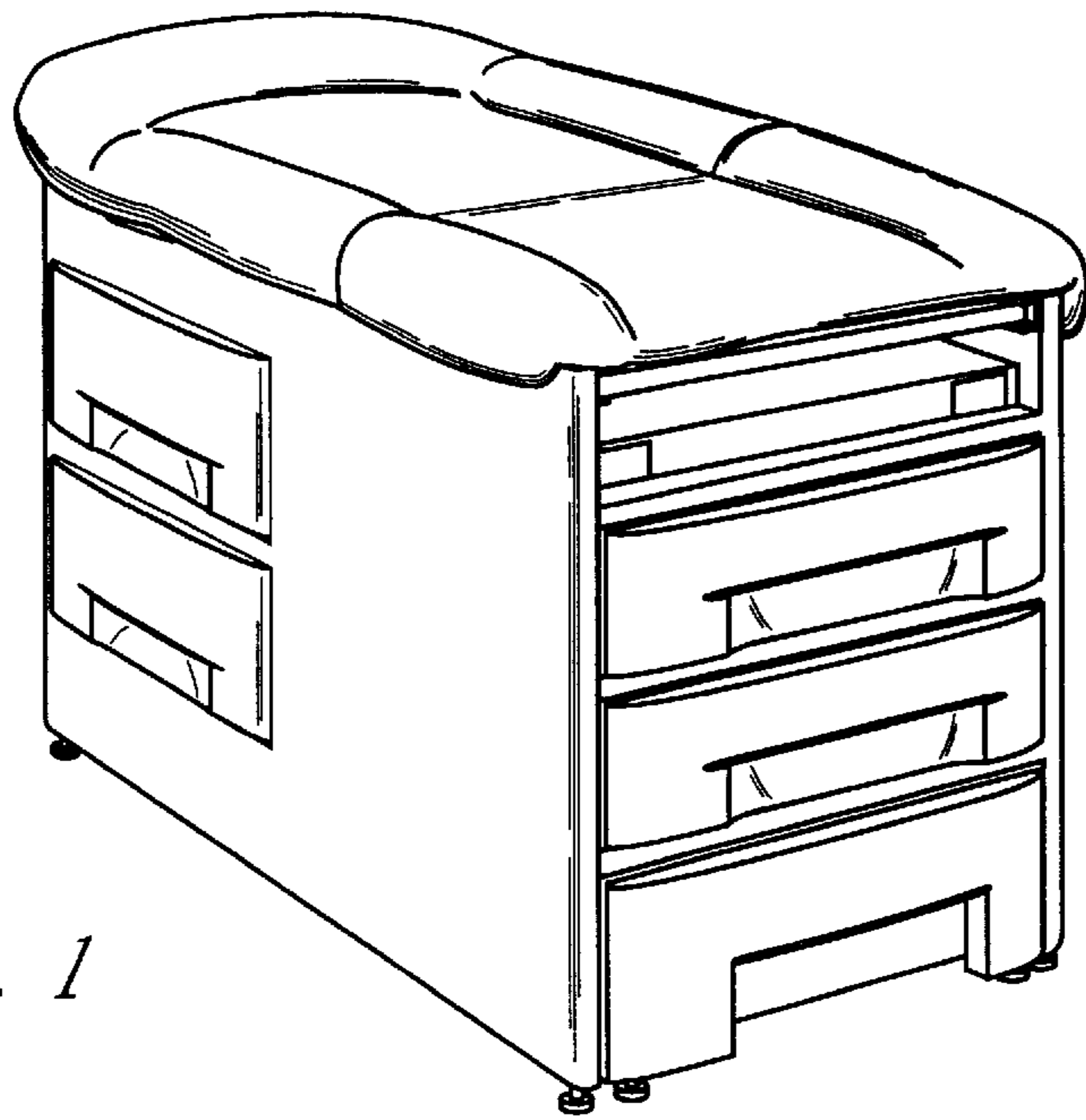


Fig. 1

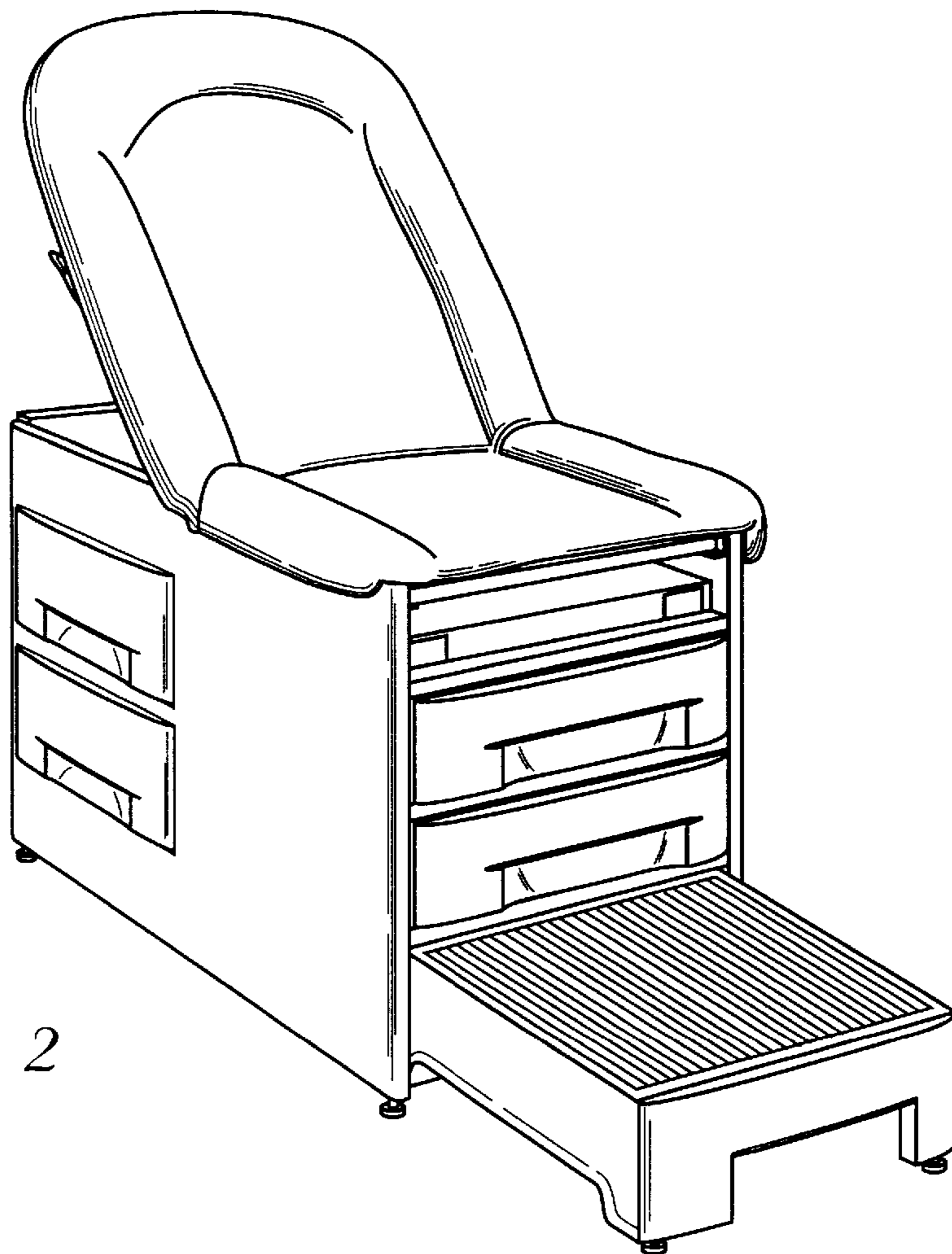


Fig. 2

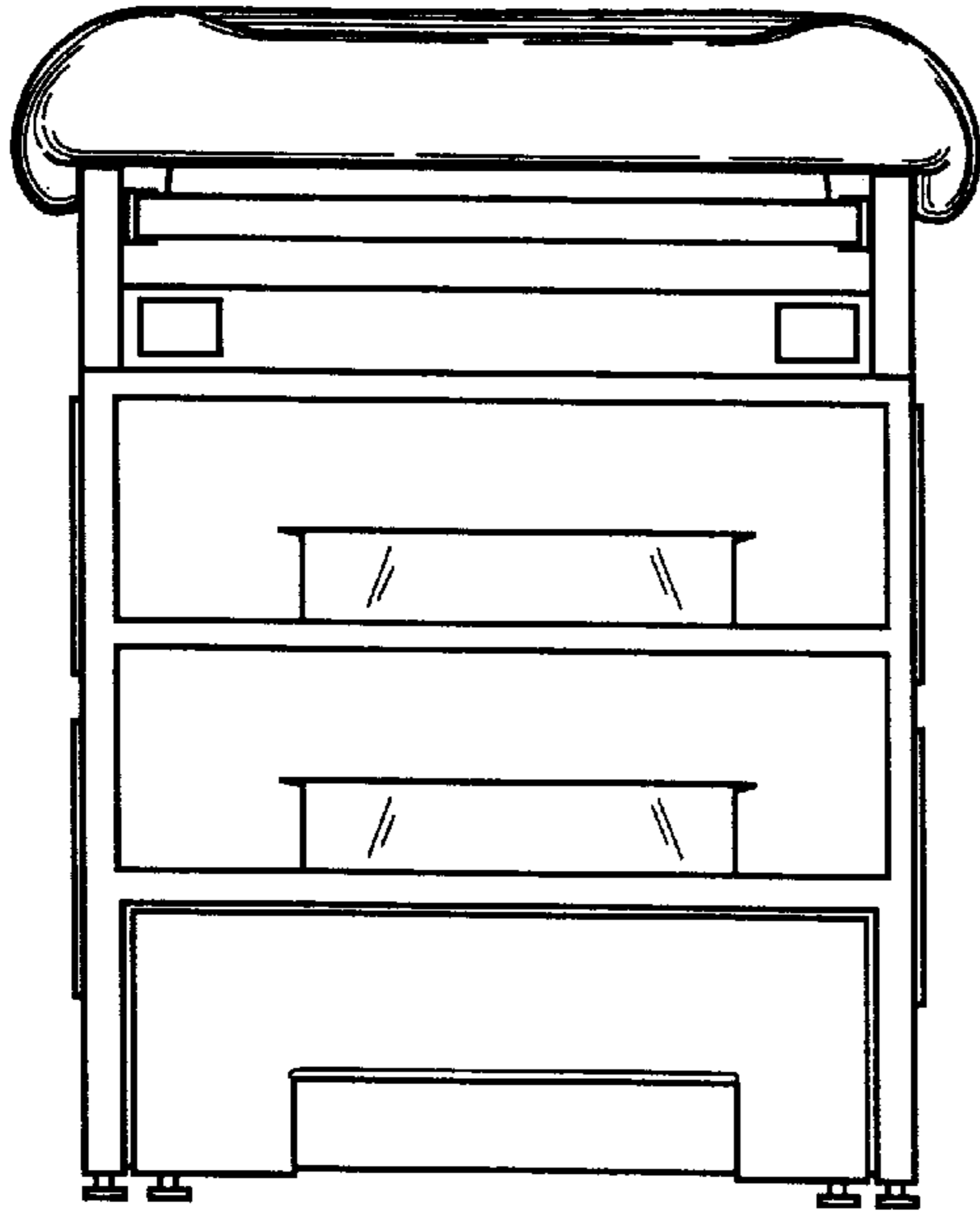


Fig. 3

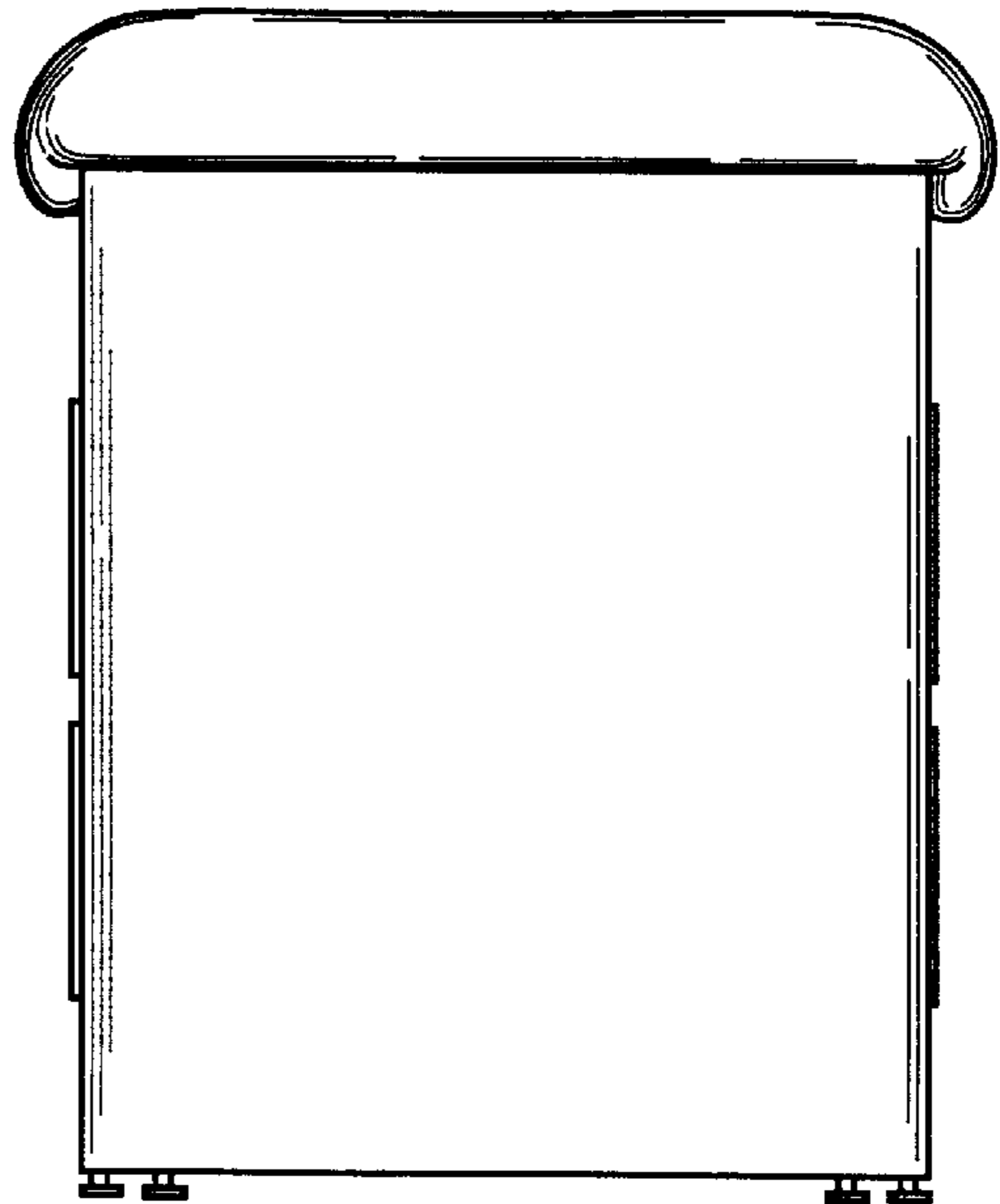


Fig. 4

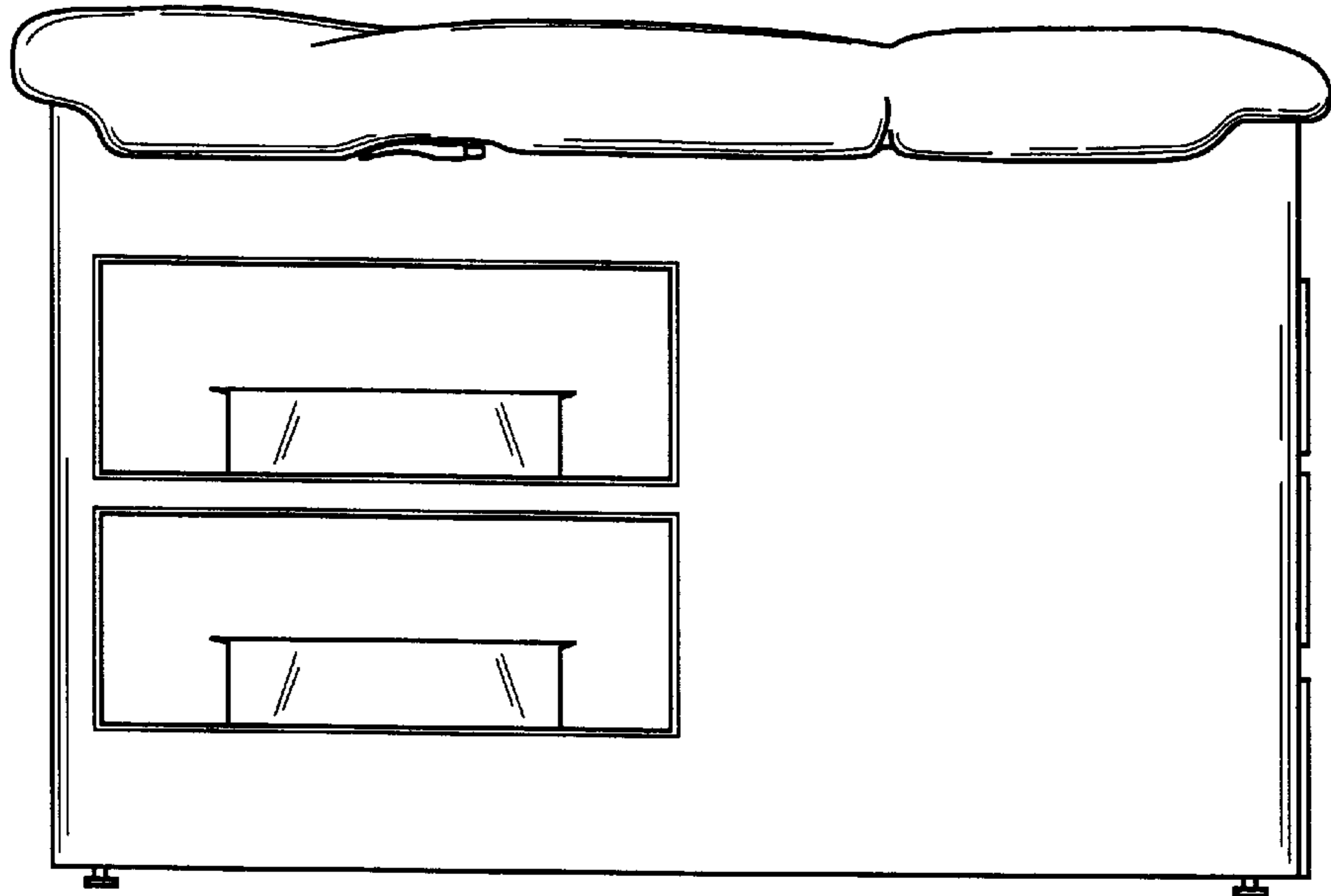


Fig. 5

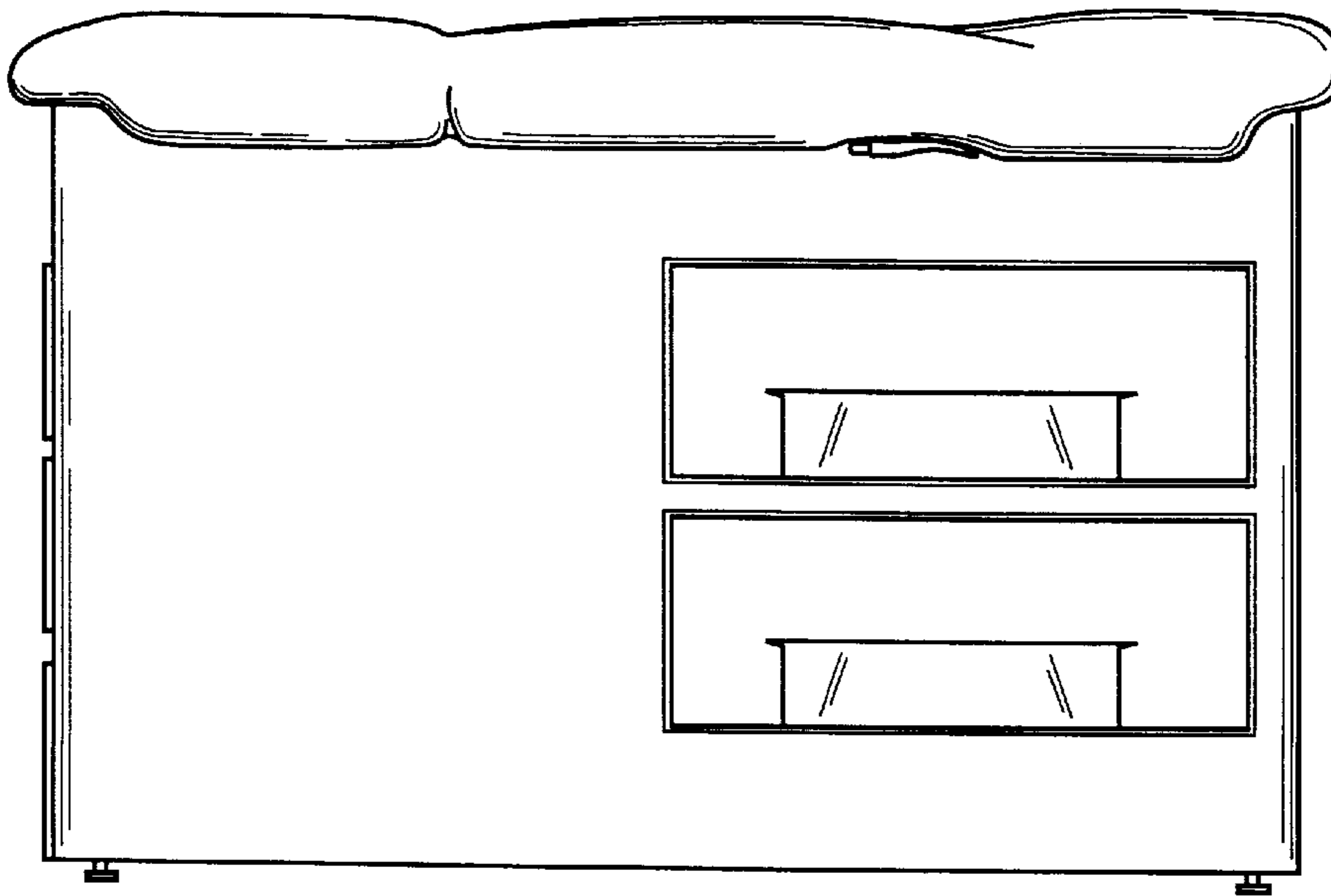


Fig. 6

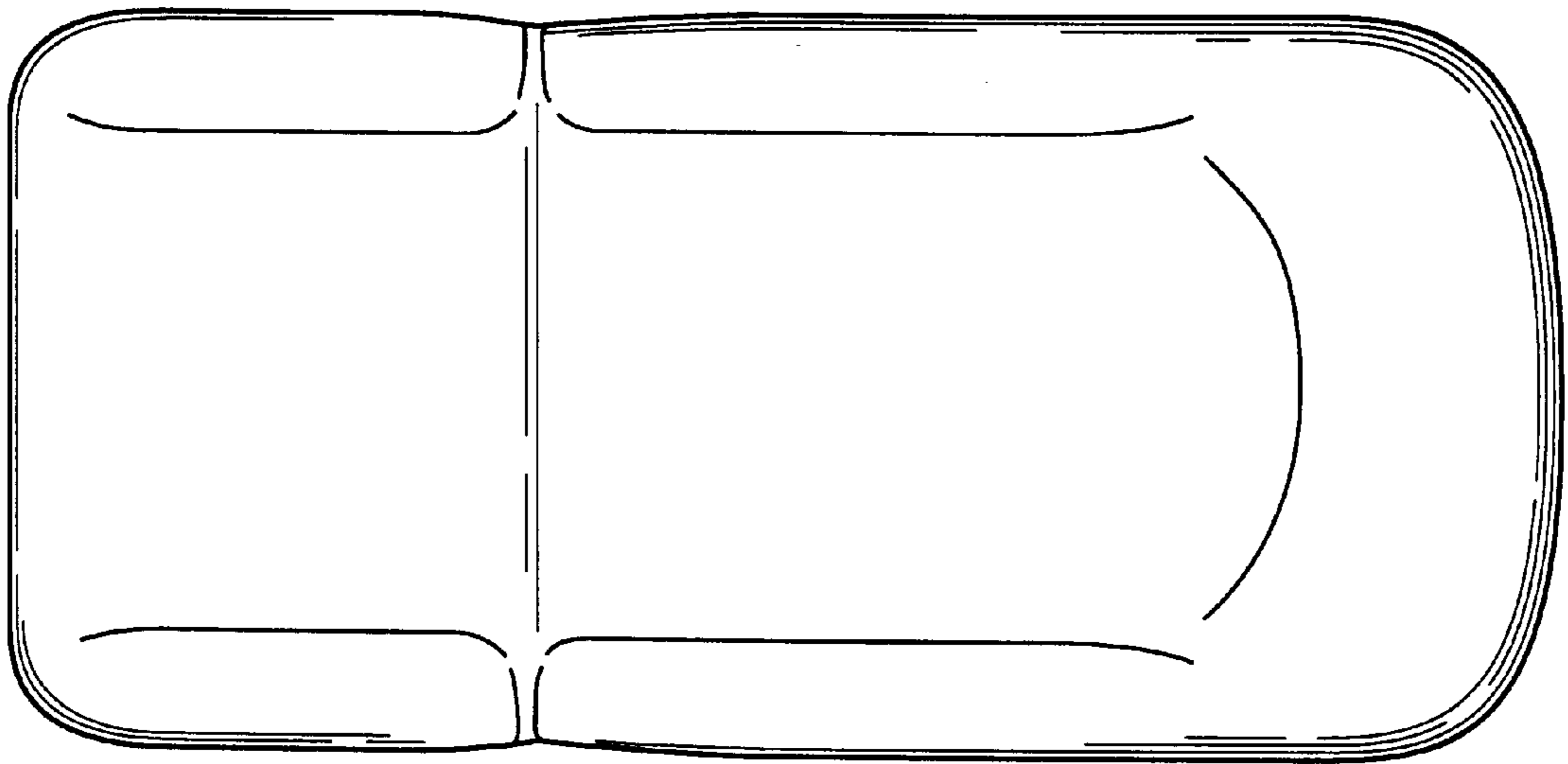


Fig. 7