



US00D461895S

(12) **United States Design Patent**
Barnes et al.

(10) **Patent No.:** **US D461,895 S**

(45) **Date of Patent:** **** Aug. 20, 2002**

(54) **HANDHELD MEDICAL DIAGNOSTIC
ULTRASOUND INSTRUMENT**

6,139,496 A * 10/2000 Chen et al. 600/437
6,251,076 B1 * 6/2001 Hovland et al. 600/454

(75) Inventors: **Stephanie A. Barnes**, Bothell; **Gregory
T. Wing**, Carnation, both of WA (US)

* cited by examiner

Primary Examiner—Stella Reid

(73) Assignee: **SonoSite, Inc.**, Bothell, WA (US)

(74) *Attorney, Agent, or Firm*—Townsend and Townsend
and Crew LLP; Henry K. Woodward

(**) Term: **14 Years**

(57) **CLAIM**

(21) Appl. No.: **29/140,638**

The ornamental design for a handheld medical diagnostic
ultrasound instrument, as shown and described.

(22) Filed: **Apr. 19, 2001**

DESCRIPTION

(51) **LOC (7) Cl.** **24-01**

(52) **U.S. Cl.** **D24/158**

(58) **Field of Search** D24/158; 600/437,
600/438, 440, 446, 447, 504

The handheld medical diagnostic ultrasound instrument pro-
vides ultrasound wave transmission and reception, electrical
signal analysis, and display.

FIG. 1 is a perspective view of a handheld medical diag-
nostic ultrasound instrument;

FIG. 2 is a top view thereof;

FIG. 3 is a side view thereof; and,

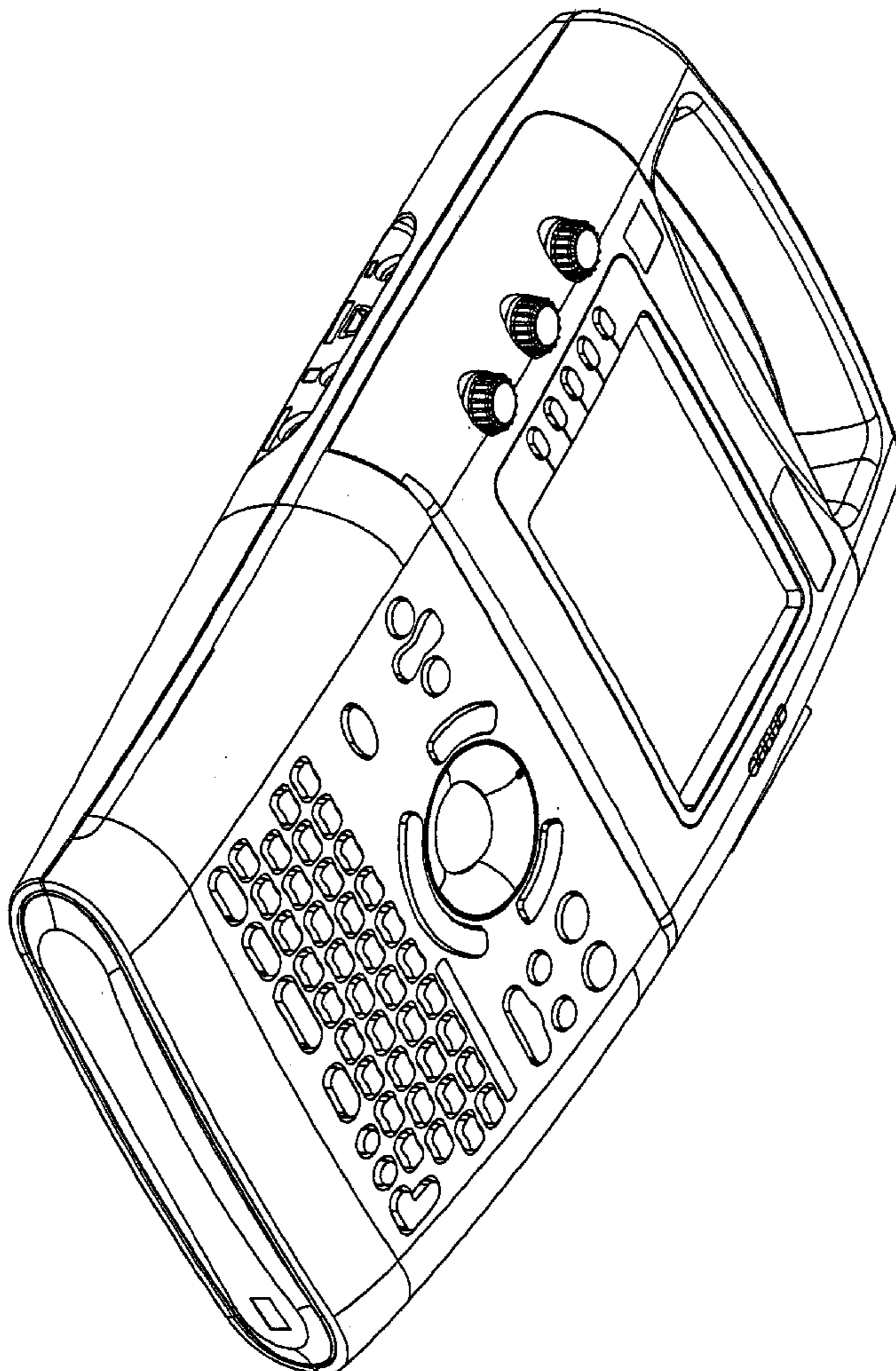
FIG. 4 is an end view thereof.

(56) **References Cited**

U.S. PATENT DOCUMENTS

6,126,608 A * 10/2000 Kemme et al. 600/459
6,132,379 A * 10/2000 Patacsil et al. 600/459
6,135,961 A * 10/2000 Pflugrath et al. 600/447

1 Claim, 2 Drawing Sheets



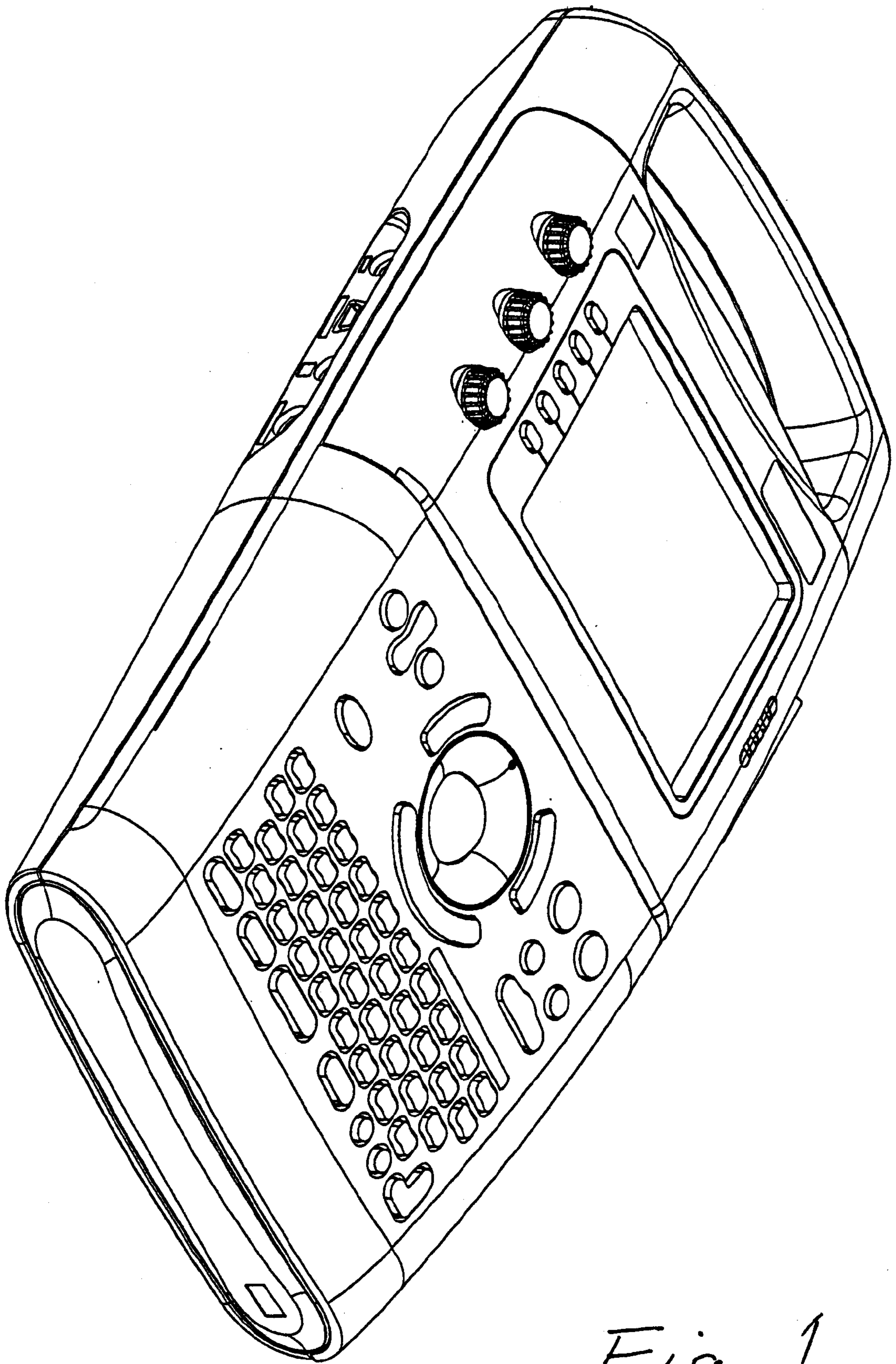


Fig. 1

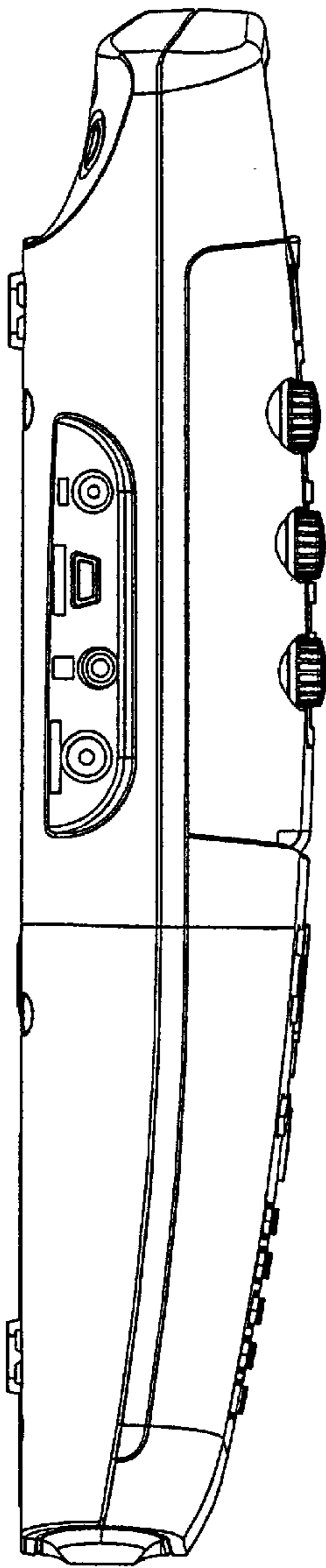


Fig. 3

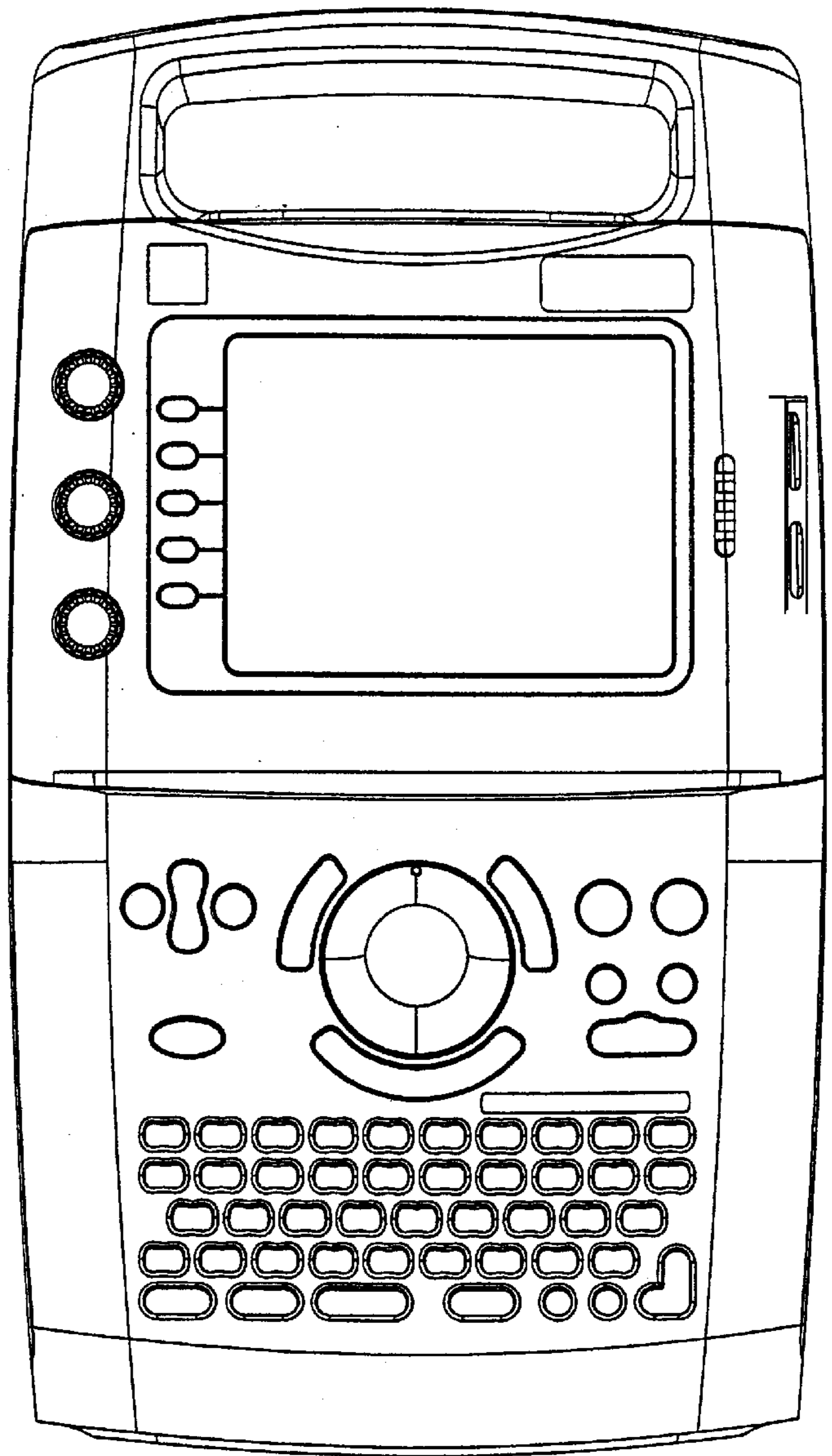


Fig. 2

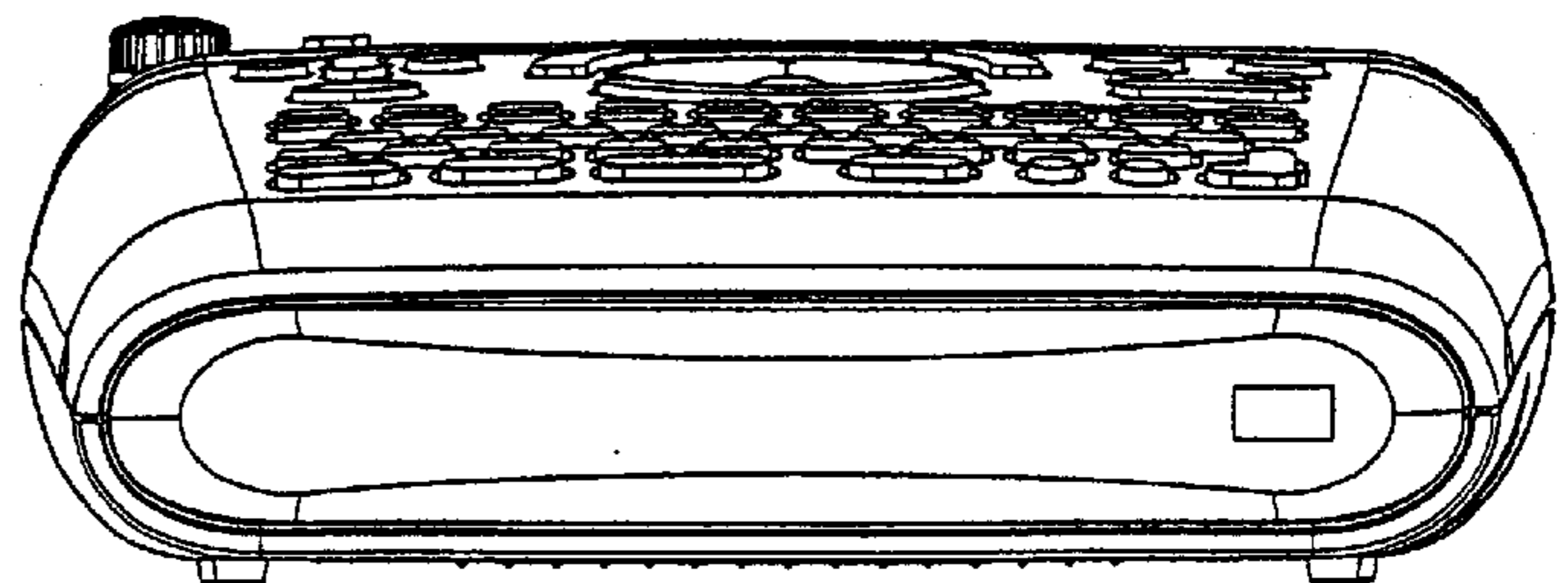


Fig. 4