



US00D461890S

(12) **United States Design Patent**  
**Lawrence**

(10) **Patent No.:** **US D461,890 S**

(45) **Date of Patent:** **\*\* Aug. 20, 2002**

(54) **NASAL PASSAGE DUST AND POLLEN  
FILTER**

(76) **Inventor:** **Bonita A. Lawrence**, 1640 W. Main  
St., Franklin, TN (US) 37064-3462

(\*\*) **Term:** **14 Years**

(21) **Appl. No.:** **29/147,388**

(22) **Filed:** **Aug. 29, 2001**

(51) **LOC (7) Cl.** ..... **24-04**

(52) **U.S. Cl.** ..... **D24/106**

(58) **Field of Search** ..... D24/106, 164,  
D24/127, 110; 128/206.11, 206.18, 206.17,  
207.13

(56) **References Cited**

**U.S. PATENT DOCUMENTS**

2,623,523 A 12/1952 Benson  
D251,017 S \* 2/1979 Amezcua ..... D24/106

4,984,302 A 1/1991 Lincoln  
5,485,836 A 1/1996 Lincoln  
6,213,121 B1 \* 4/2001 Cardarelli ..... 128/206.18  
D451,193 S \* 11/2001 McCormick ..... D24/106

\* cited by examiner

*Primary Examiner*—Ian Simmons

(74) *Attorney, Agent, or Firm*—Donald R. Schoonover

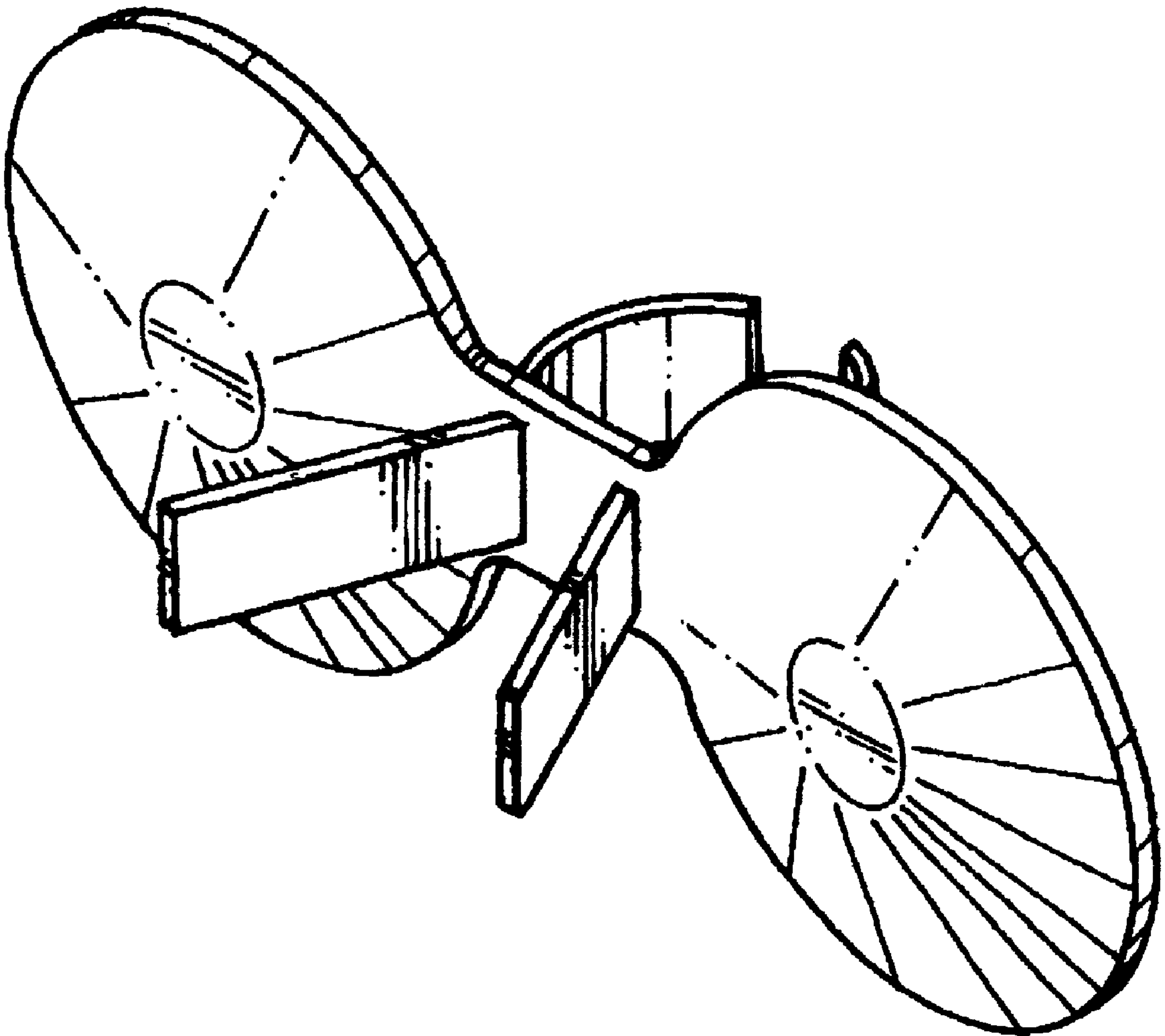
(57) **CLAIM**

The ornamental design for a nasal passage dust and pollen filter, as shown and described.

**DESCRIPTION**

FIG. 1 is a perspective view of the nasal passage dust and pollen filter embodying the design of the present invention. FIG. 2 is a front elevational view thereof; FIG. 3 is a rear elevational view thereof; FIG. 4 is a side elevational view thereof; and, FIG. 5 is a top plan view thereof.

**1 Claim, 3 Drawing Sheets**



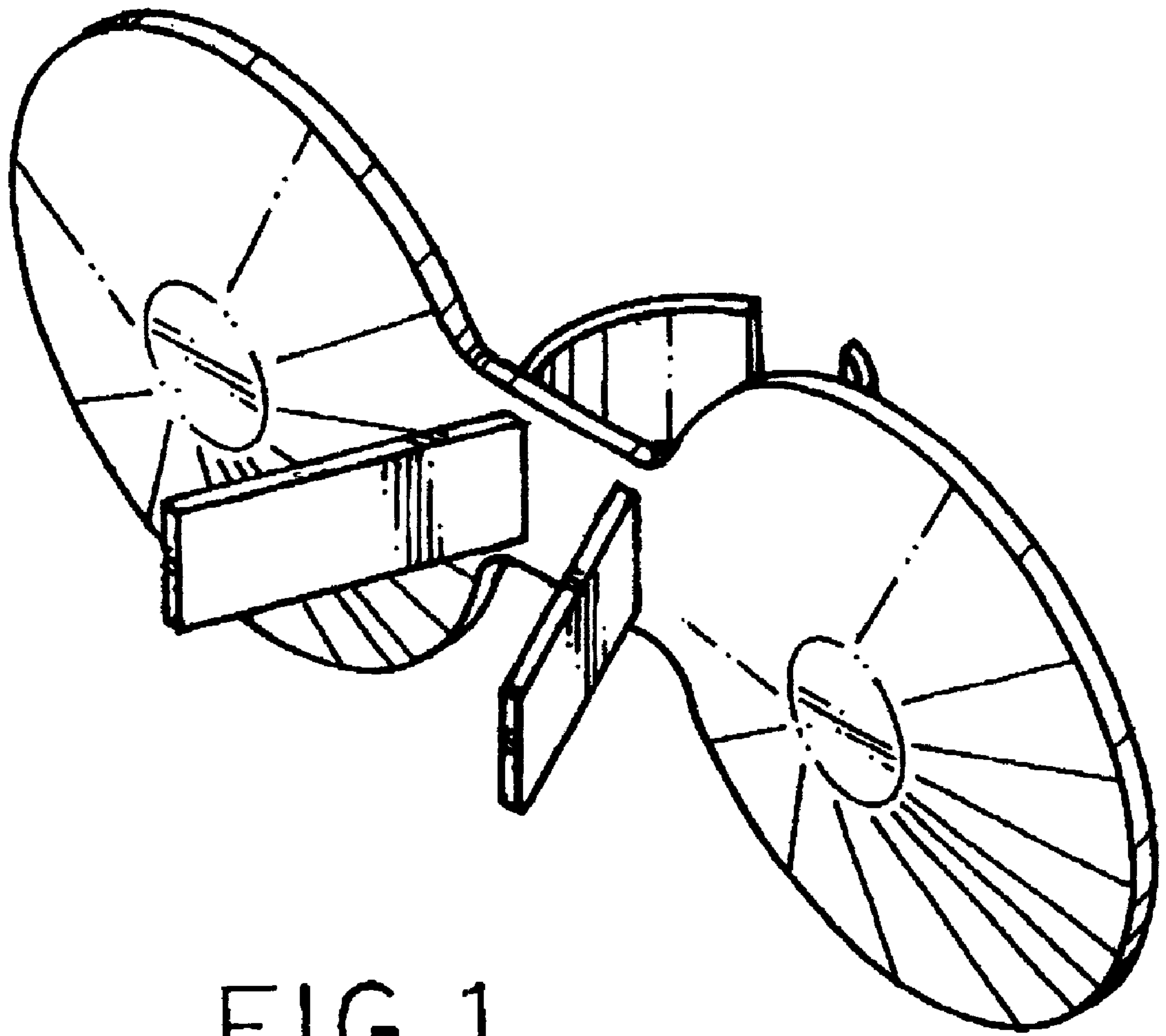


FIG. 1.

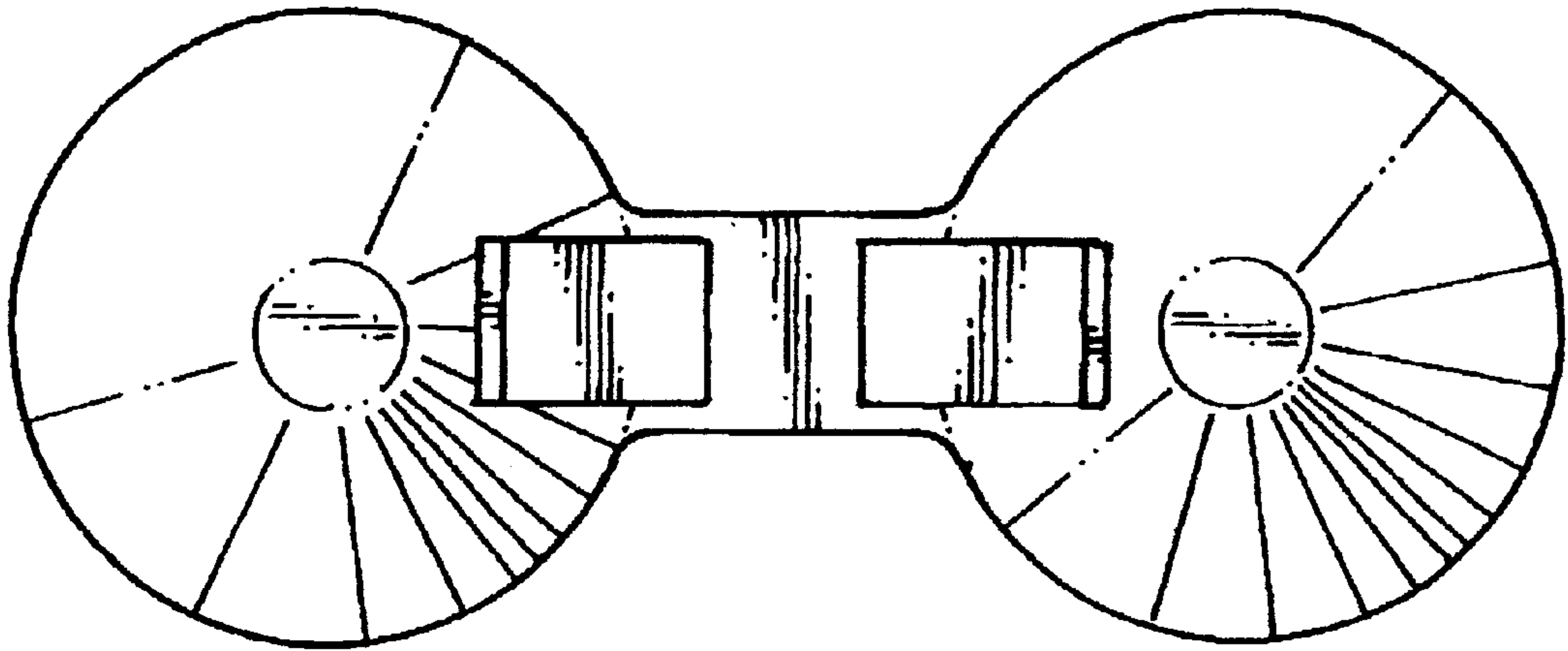


FIG. 2.

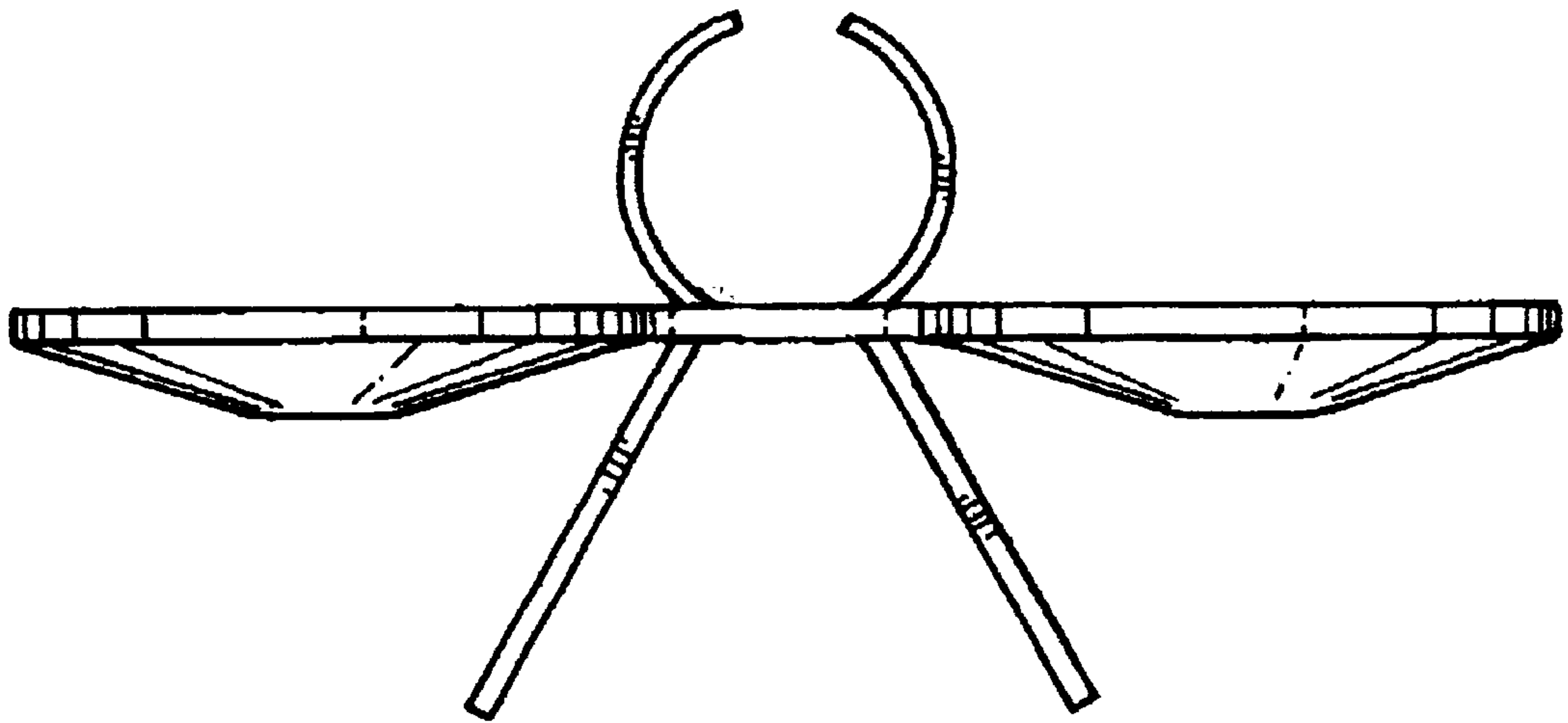


FIG. 5.

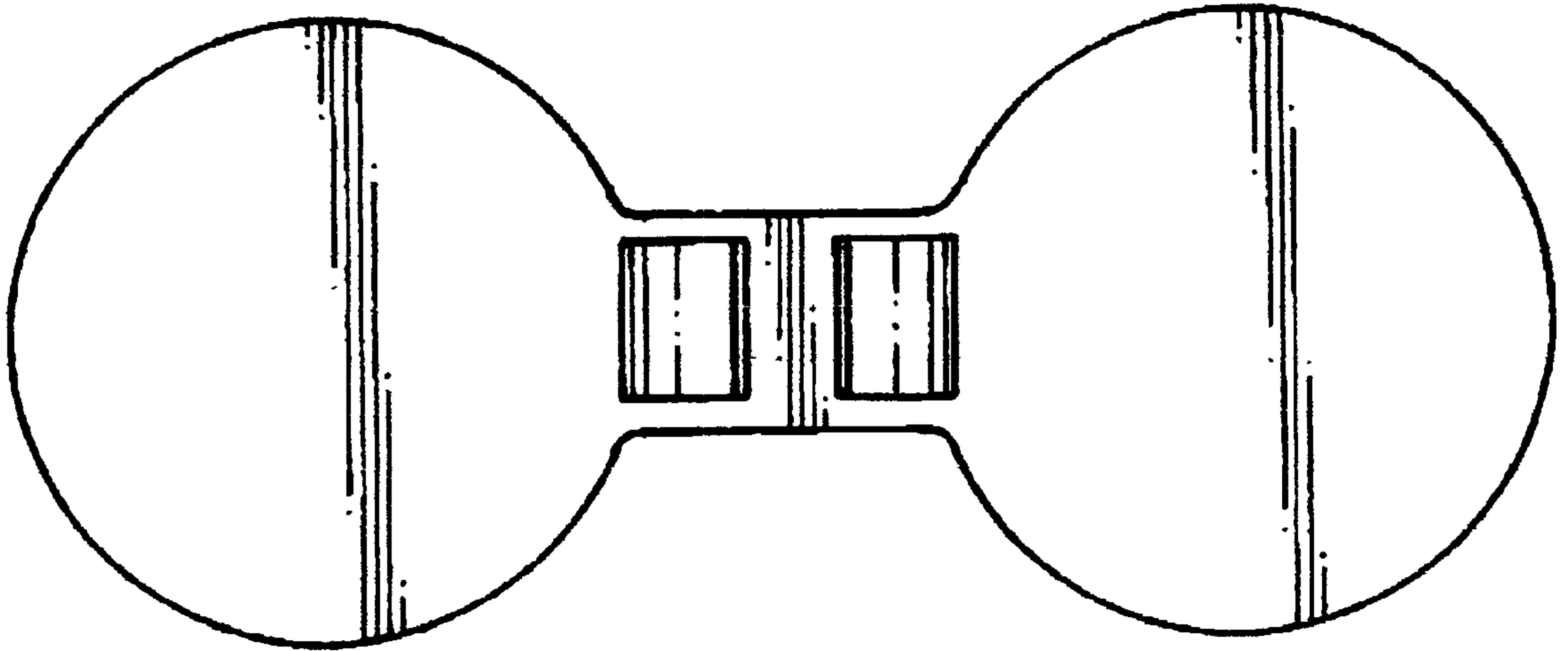


FIG. 3.

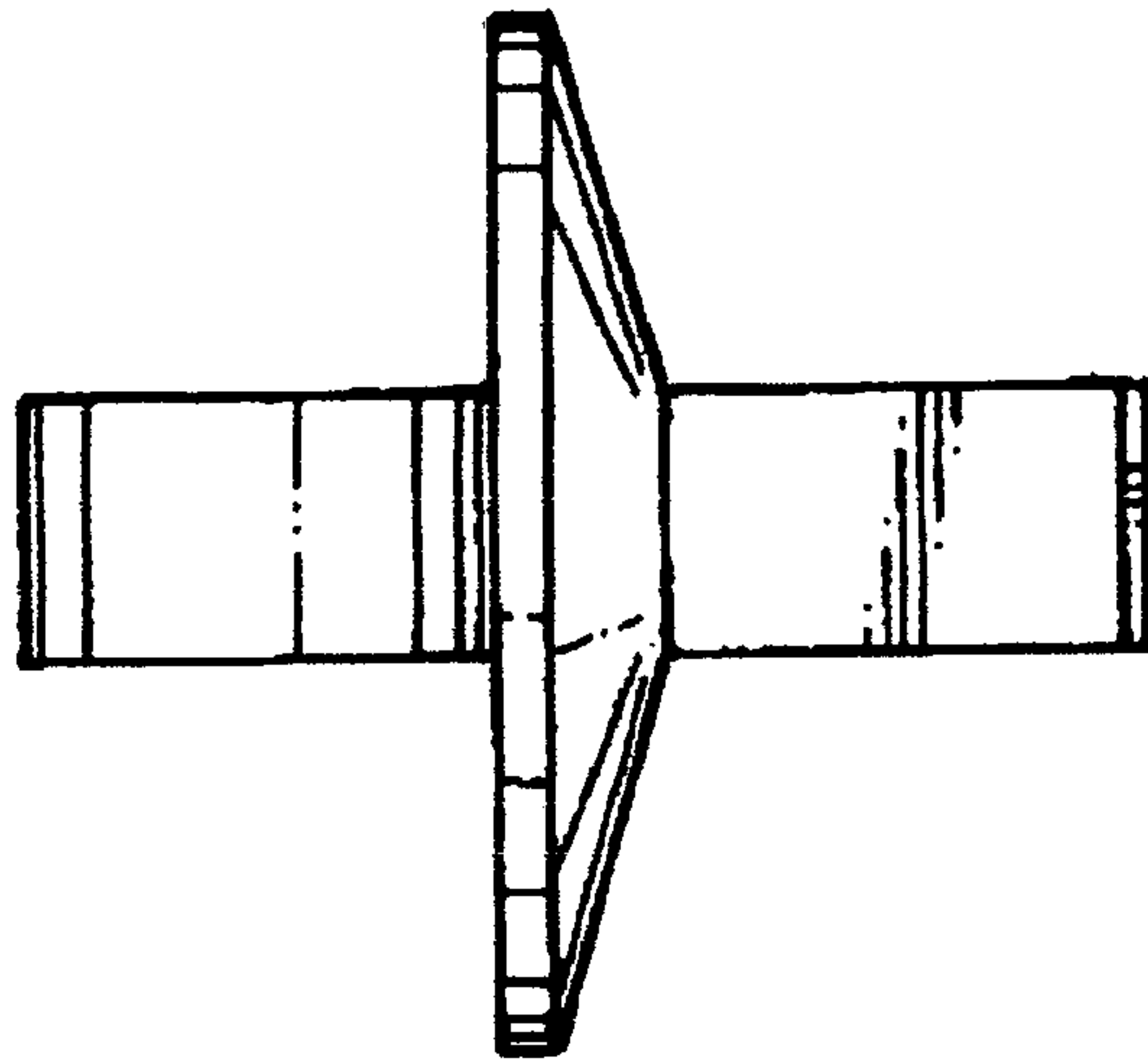


FIG. 4.