



US00D461886S

(12) **United States Design Patent**
Shean

(10) **Patent No.:** **US D461,886 S**

(45) **Date of Patent:** **** Aug. 20, 2002**

(54) **VENTILATING SYSTEM FOR TOILET BOWL**

5,161,262 A 11/1992 Quaintance, Sr.
D402,747 S * 12/1998 Yeatts et al. D23/311
5,850,638 A * 12/1998 Her 4/213

(76) Inventor: **Christopher J. Shean**, P.O. Box 99, St. Pauls, Ontario (CA), N0K-1V0

* cited by examiner

(**) Term: **14 Years**

Primary Examiner—Lisa Lichtenstein

(74) *Attorney, Agent, or Firm*—Donald R. Schoonover

(21) Appl. No.: **29/155,481**

(57) **CLAIM**

(22) Filed: **Feb. 12, 2002**

The ornamental design for a ventilating system for toilet bowl, as shown and described.

(51) **LOC (7) Cl.** **23-04**

(52) **U.S. Cl.** **D23/366**

(58) **Field of Search** D23/371; 4/213, 4/216, 217

DESCRIPTION

FIG. 1 is a perspective view of a ventilating system for toilet bowl embodying the design of the present invention.

FIG. 2 is an front elevational view thereof;

FIG. 3 is a rear elevational view thereof;

FIG. 4 is a left side elevational view thereof;

FIG. 5 is a right side elevational view thereof;

FIG. 6 is a top plan view thereof; and,

FIG. 7 is a bottom plan view thereof.

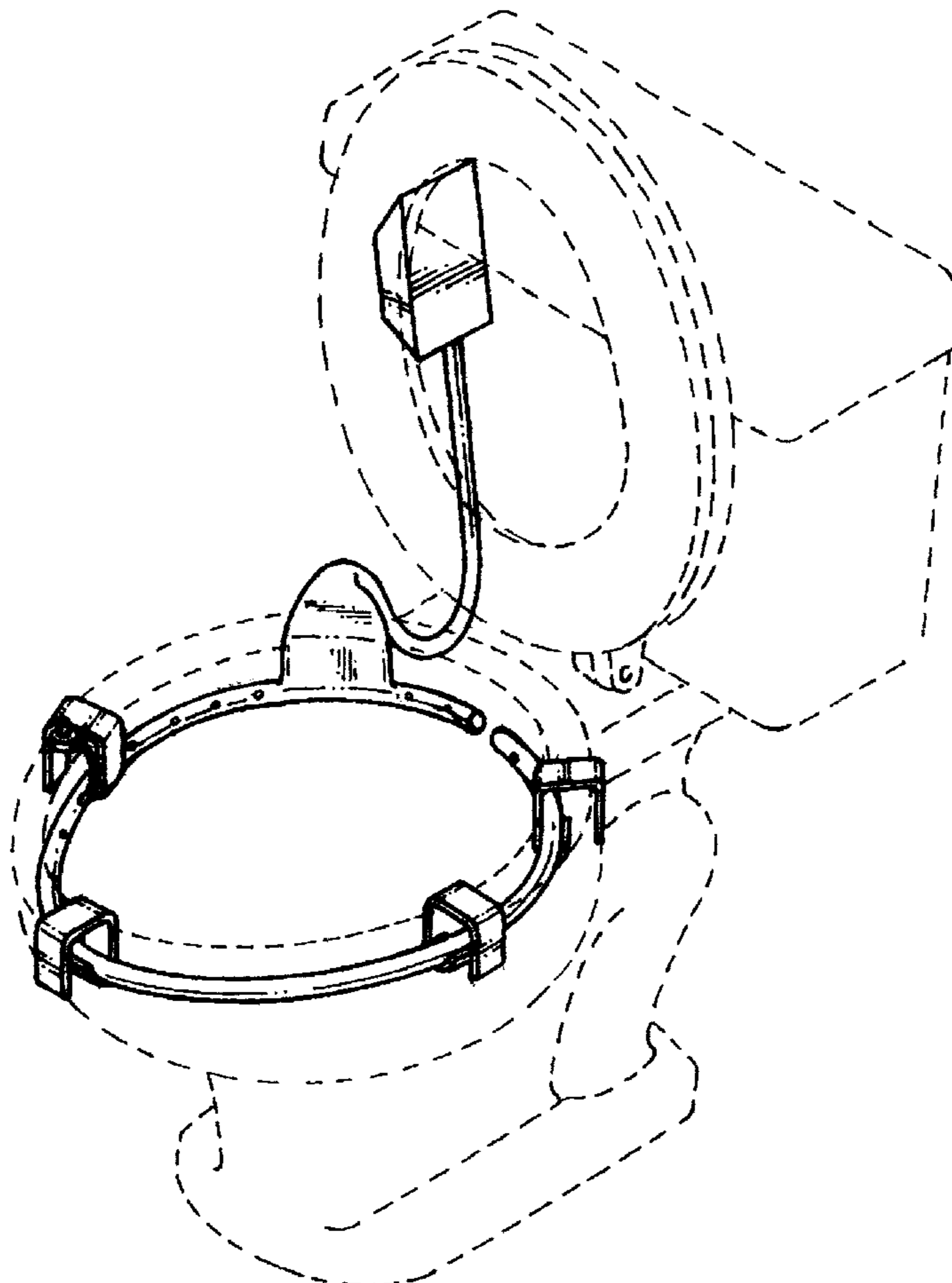
The broken line showing of environmental structure in FIG. 1 is for illustrative purposes only and forms no part of the claimed design.

(56) **References Cited**

U.S. PATENT DOCUMENTS

2,696,619 A	12/1954	Ring	
3,120,665 A	2/1964	Kirkland	
3,277,499 A	10/1966	Keefauver	
3,585,651 A	6/1971	Cox	
3,733,619 A	5/1973	Smith	
4,094,023 A	* 6/1978	Smith	4/217
4,251,888 A	2/1981	Turner	
D327,539 S	* 6/1992	Williams	D23/366

1 Claim, 4 Drawing Sheets



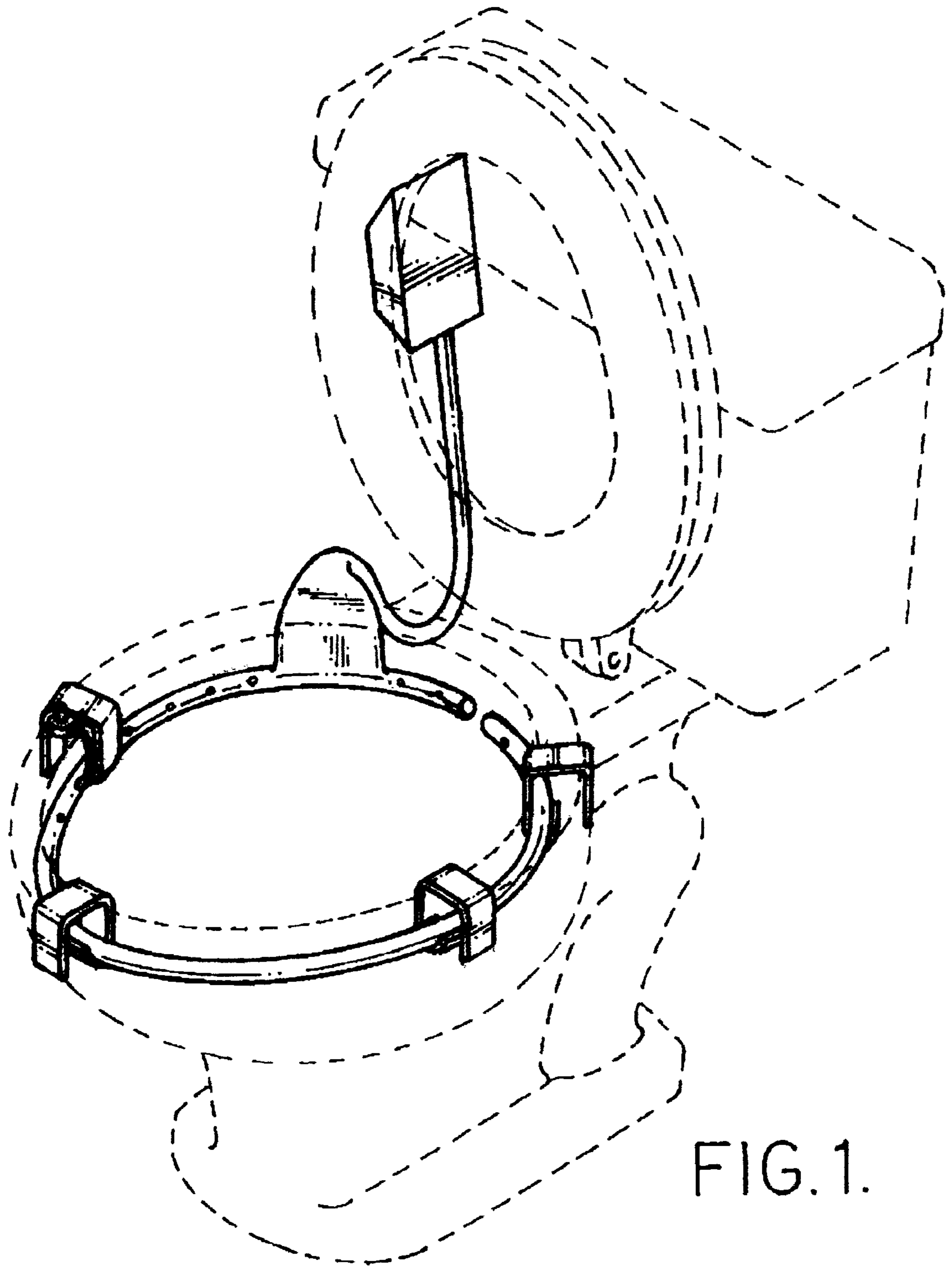


FIG. 1.

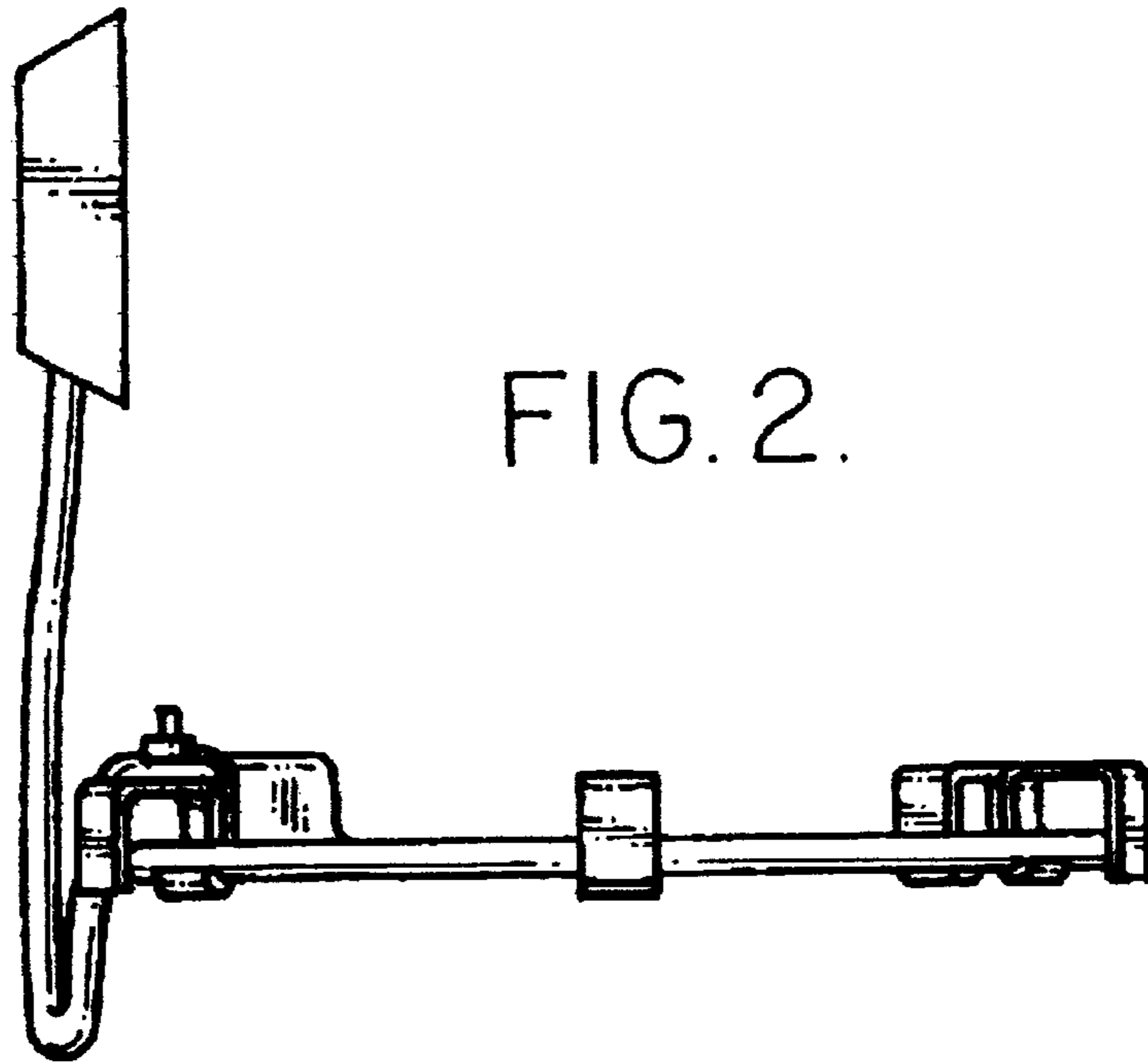


FIG. 2.

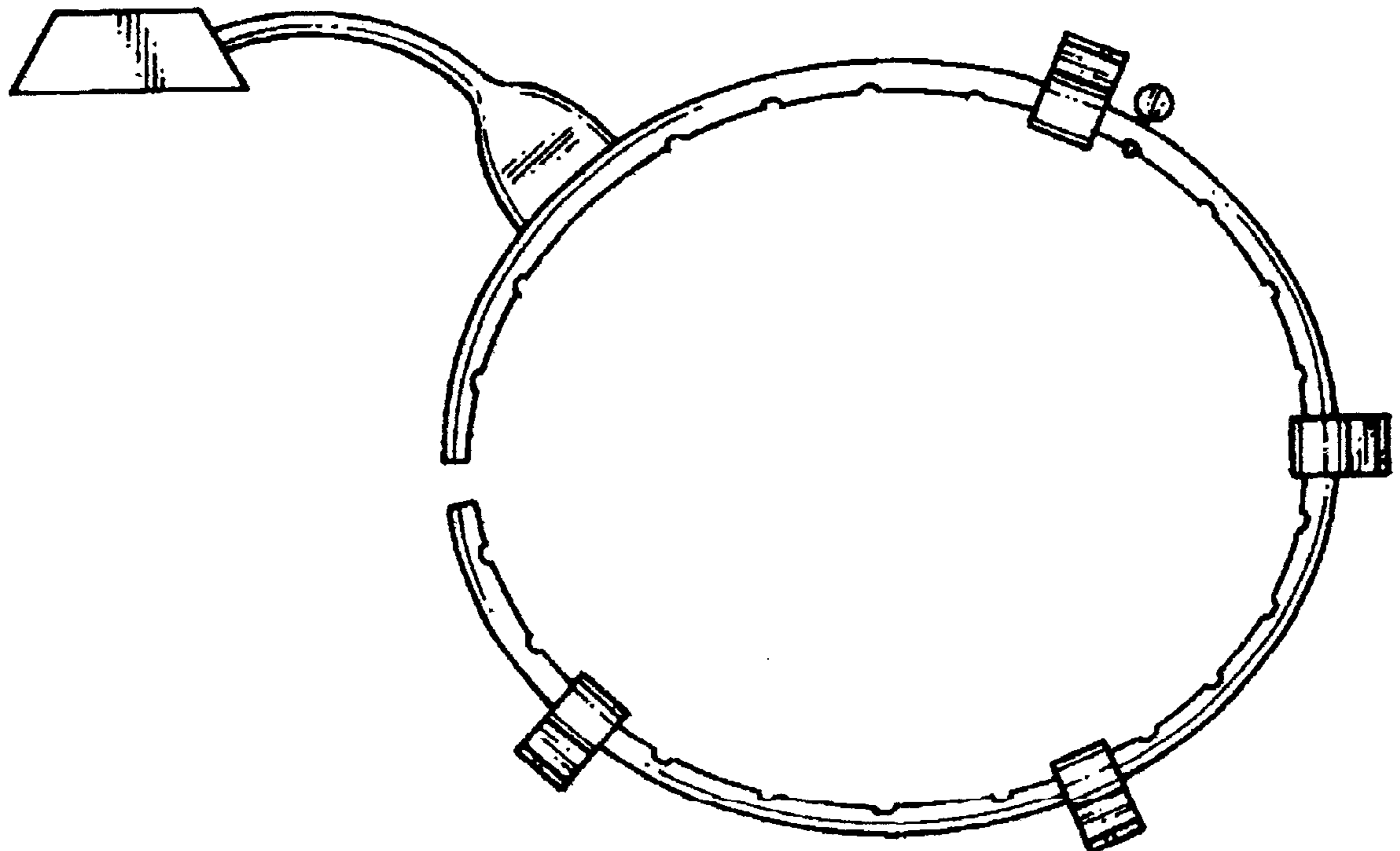


FIG. 7.

FIG. 3.

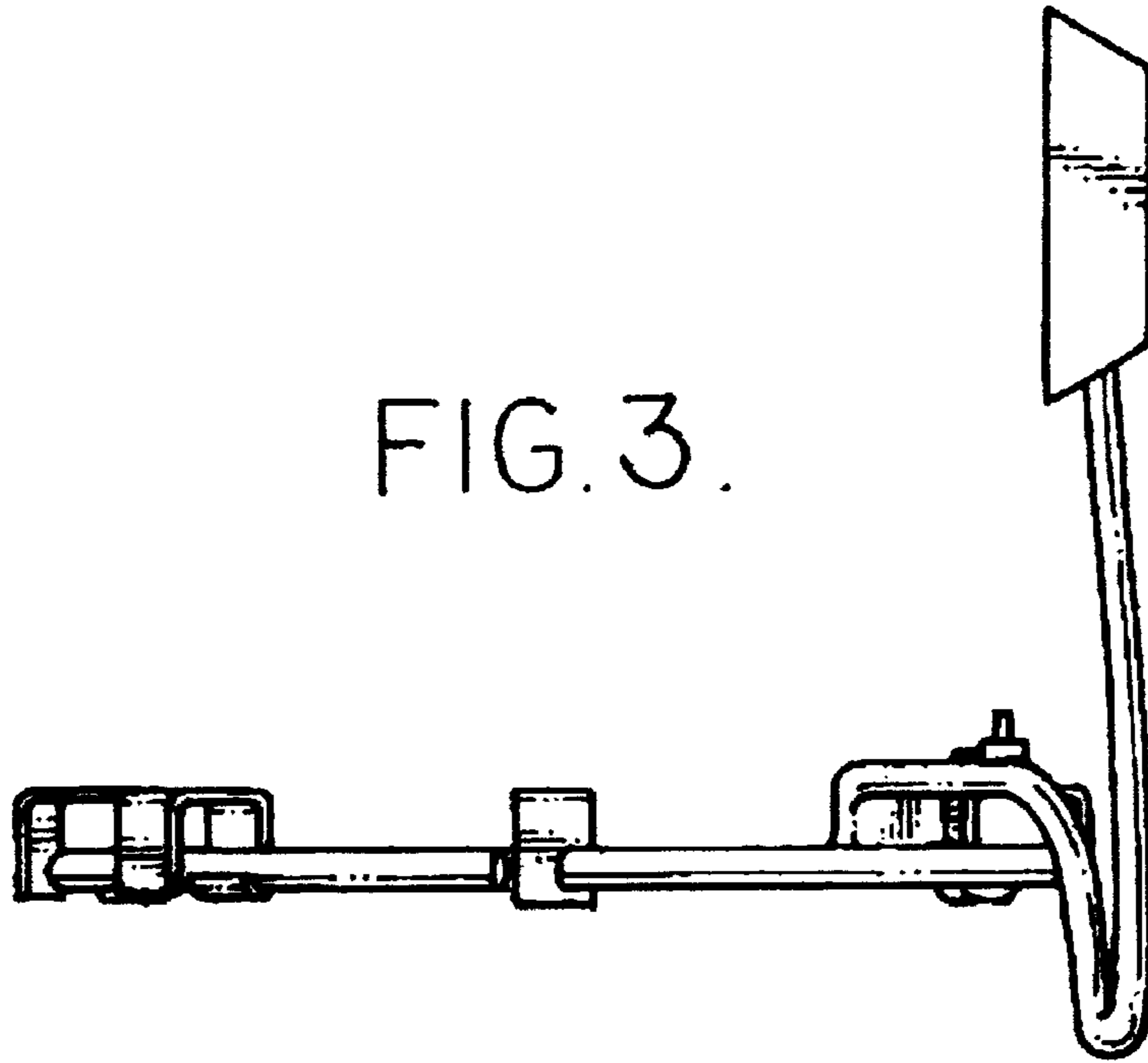


FIG. 5.

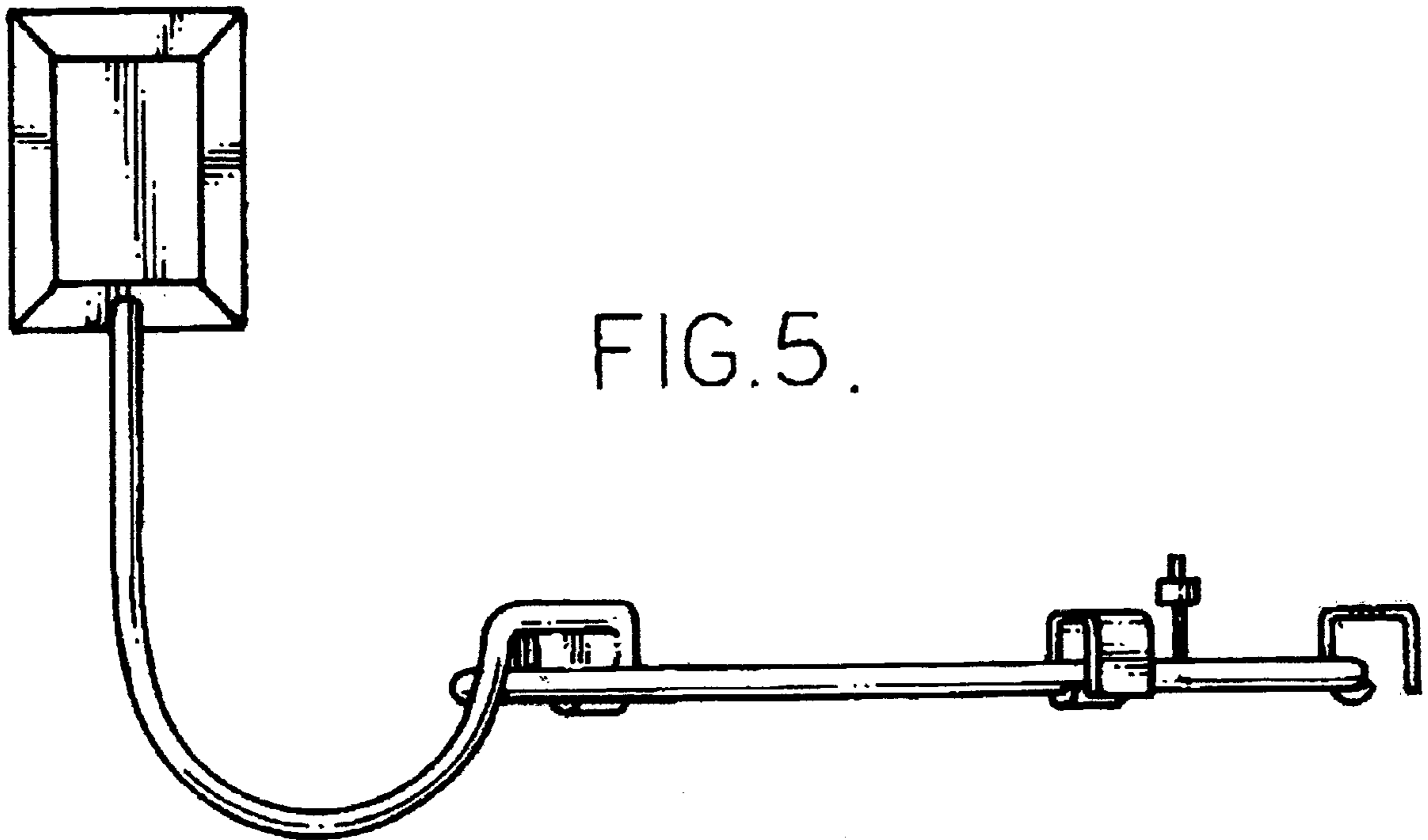


FIG. 4.

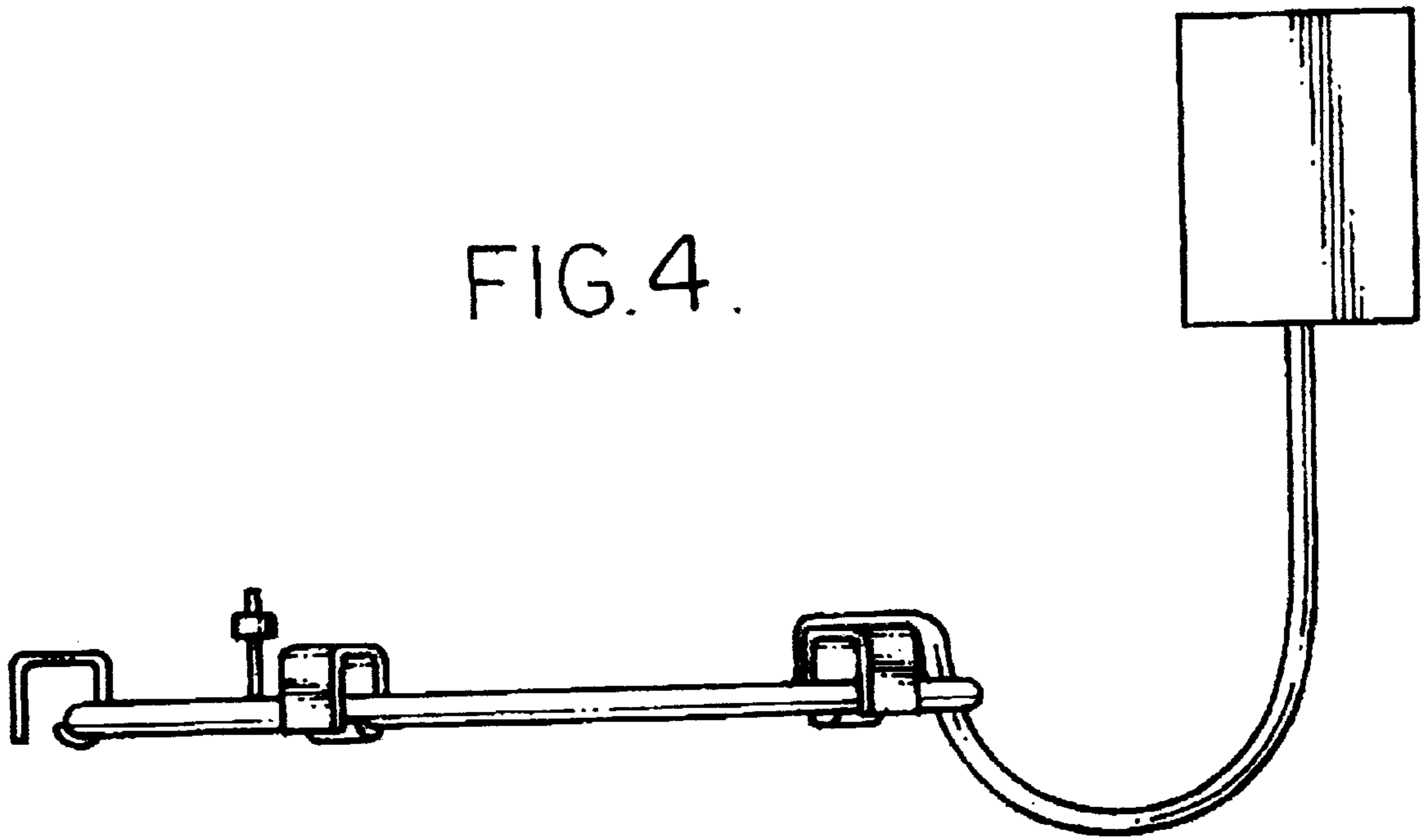


FIG. 6.

