



US00D461882S

(12) **United States Design Patent**
Piano

(10) **Patent No.:** **US D461,882 S**

(45) **Date of Patent:** **** Aug. 20, 2002**

(54) **SHOWER PLATE**

D363,342 S * 10/1995 Dannenberg et al. D23/283

D395,488 S * 6/1998 Joss D23/304

D404,476 S * 1/1999 Formgren D23/304

(75) Inventor: **Matteo Piano**, Genoa (IT)

(73) Assignee: **American Standard International Inc.**, New York, NY (US)

* cited by examiner

(**) Term: **14 Years**

Primary Examiner—Louis S. Zarfes

Assistant Examiner—Robert A. Delehanty

(21) Appl. No.: **29/138,789**

(22) Filed: **Mar. 20, 2001**

(30) **Foreign Application Priority Data**

Sep. 29, 2000 (IT) RE0000012

(51) **LOC (7) Cl.** **23-02**

(52) **U.S. Cl.** **D23/304**

(58) **Field of Search** D23/273, 275,
D23/279, 283, 303–307; 4/663, 596–597,
609, 612

(57) **CLAIM**

The ornamental design for a shower plate, as shown and described.

DESCRIPTION

FIG. 1 is a top plan view of a shower plate showing our new design;

FIG. 2 is a front elevational view; and,

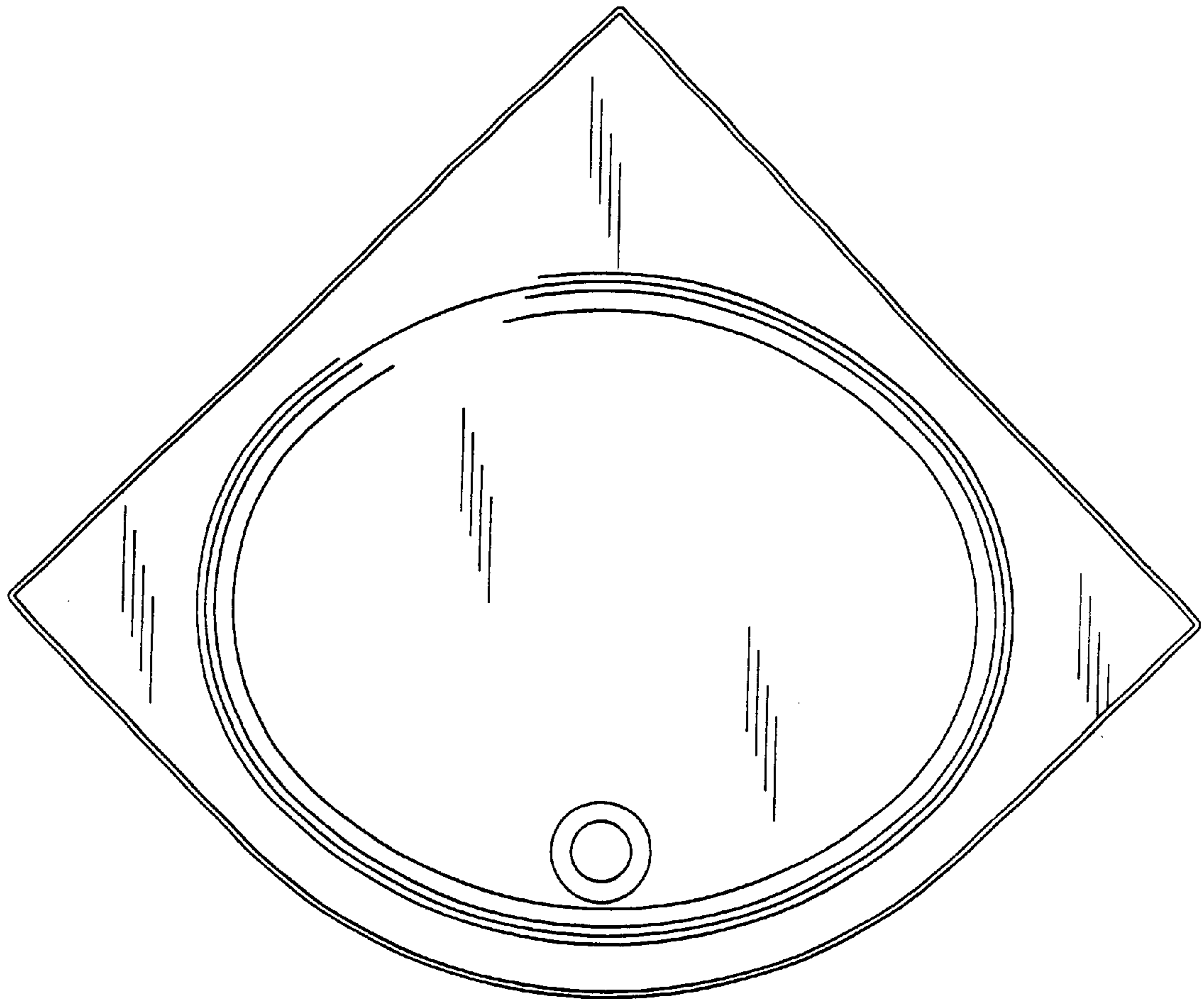
FIG. 3 is a side elevational view.

(56) **References Cited**

U.S. PATENT DOCUMENTS

D184,039 S * 12/1958 Cornelissen D23/279

1 Claim, 1 Drawing Sheet



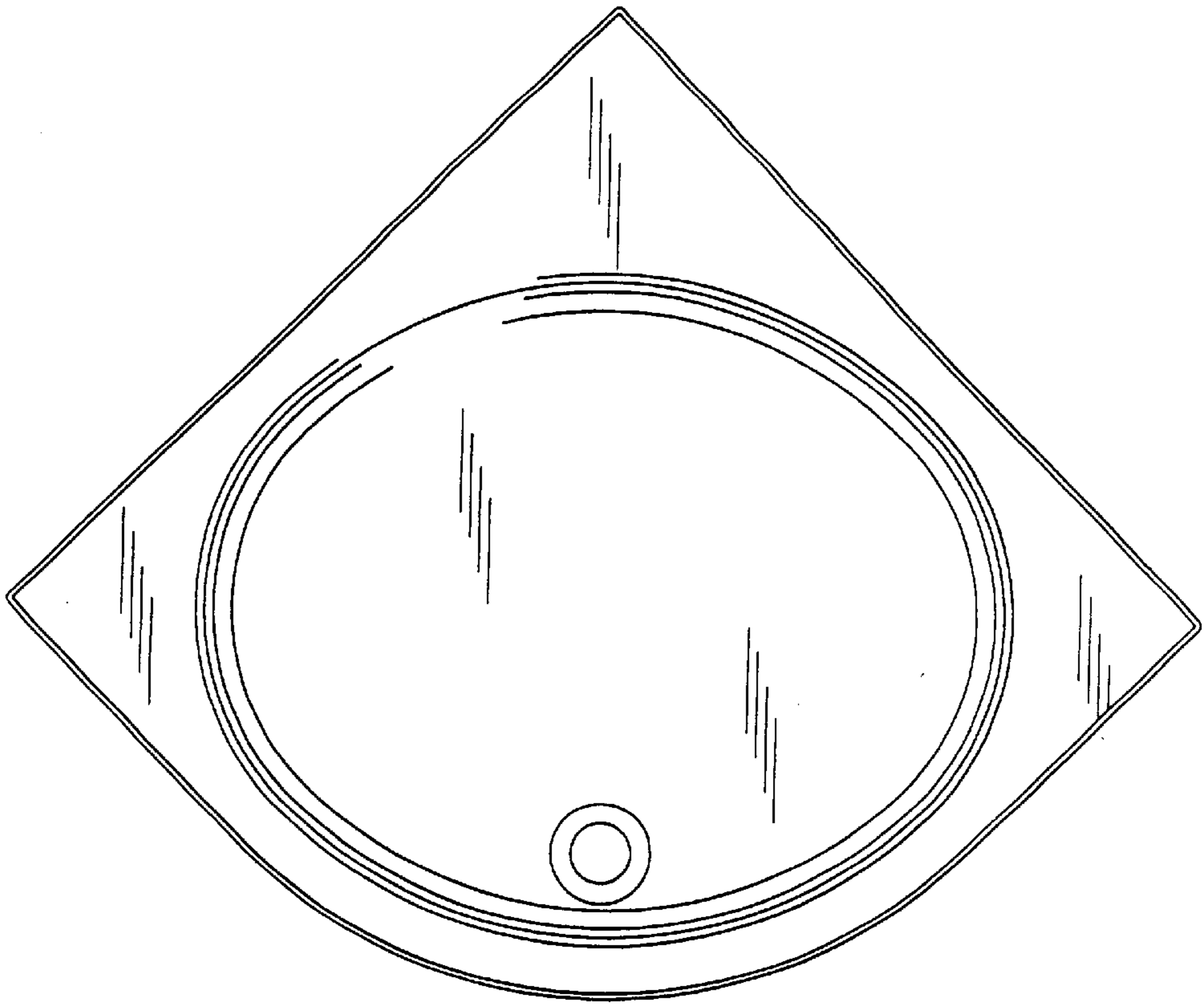


FIG. 1

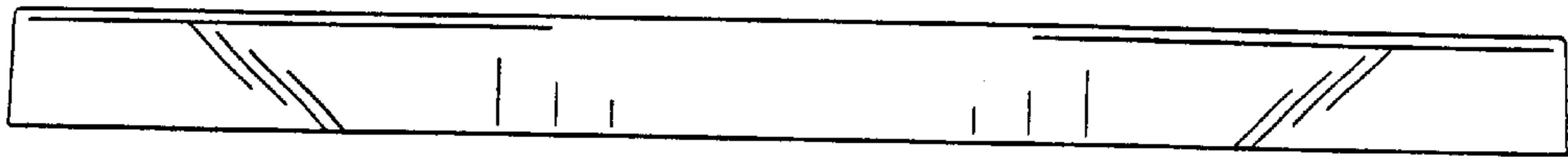


FIG. 2

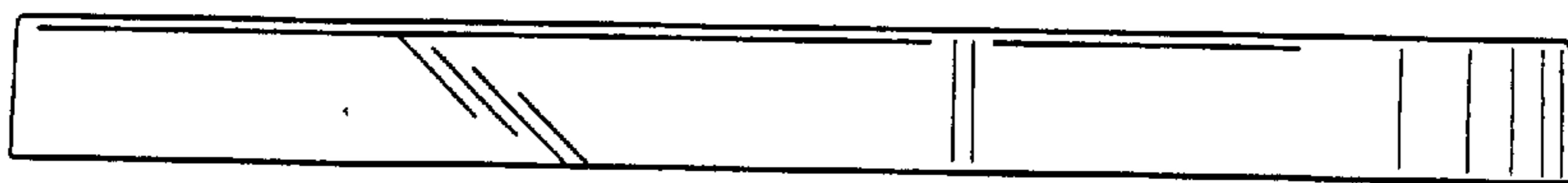


FIG. 3