



US00D461880S

(12) **United States Design Patent**
Underbrink

(10) **Patent No.:** **US D461,880 S**

(45) **Date of Patent:** **** Aug. 20, 2002**

(54) **WALL-MOUNTED SINK WITH FOLDABLE FAUCET**

(75) **Inventor:** **John Underbrink**, Richardson, TX (US)

(73) **Assignee:** **Spang & Company**, Pittsburgh, PA (US)

(**) **Term:** **14 Years**

(21) **Appl. No.:** **29/151,407**

(22) **Filed:** **Nov. 9, 2001**

(51) **LOC (7) Cl.** **23-02**

(52) **U.S. Cl.** **D23/286**

(58) **Field of Search** D23/271, 273, D23/284-287, 289-292, 293.1, 303, 308; 4/619-620, 624-628, 630-635, 637-643, 647-652, 656-661, 515-517

(56) **References Cited**

U.S. PATENT DOCUMENTS

3,983,583	A	*	10/1976	Herman et al.	4/626	X
3,993,376	A		11/1976	Meldahl			
4,305,166	A		12/1981	Rose			
D287,748	S	*	1/1987	Landan et al.	D23/286	
D342,212	S		12/1993	Lim			
5,349,708	A		9/1994	Lee			
6,131,929	A		10/2000	Haley			
6,173,458	B1	*	1/2001	Maddux	4/626	

* cited by examiner

Primary Examiner—Louis S. Zarfes

Assistant Examiner—Robert A. Delehanty

(74) *Attorney, Agent, or Firm*—Kirkpatrick & Lockhart LLP

(57) **CLAIM**

The ornamental design for a wall-mounted sink with foldable faucet, as shown and described.

DESCRIPTION

FIG. 1 is a front and right side isometric view of an embodiment of a wall-mounted sink with a foldable faucet showing my new design;

FIG. 2 is front and right side isometric view of the design of FIG. 1 showing the faucet folded;

FIG. 3 is a front view of the design of FIGS. 1 and 2;

FIG. 4 is a rear view of the of the design of FIGS. 1-3;

FIG. 5 is a right side view of the of the design of FIGS. 1-4 showing a storage door open;

FIG. 6 is a left side view of the of the design of FIGS. 1-5 showing the storage door open;

FIG. 7 is a top view of the of the design of FIGS. 1-6;

FIG. 8 is a top view of the design of FIGS. 1-7 showing the faucet folded;

FIG. 9 is a bottom view of the design of FIGS. 1-8;

FIG. 10 is a front and right side isometric view of the design of FIGS. 1-9 showing the sink covered;

FIG. 11 is a front view of the design of FIGS. 1-10 showing the sink covered;

FIG. 12 is a rear view of the design of FIGS. 1-11 showing the sink covered;

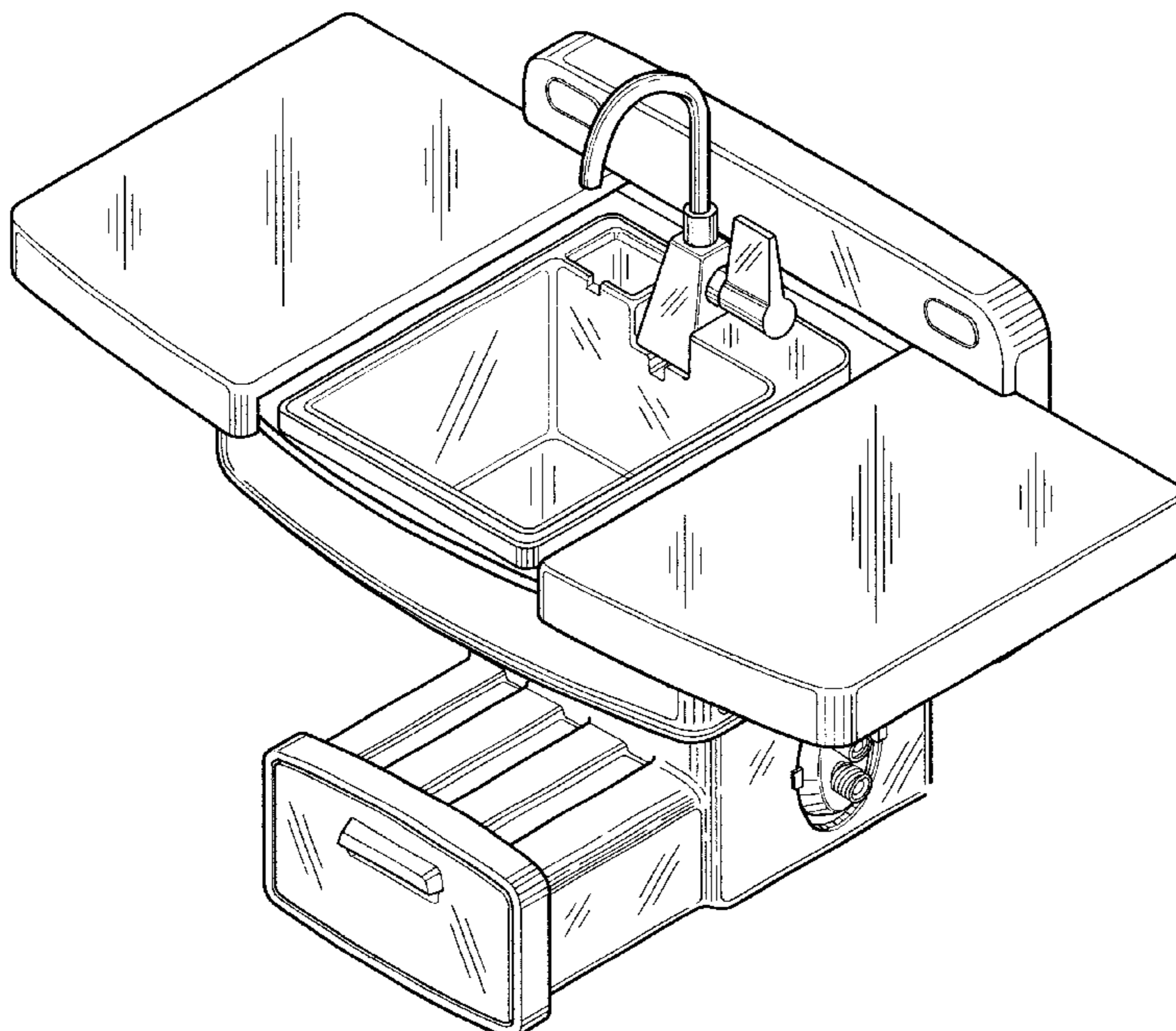
FIG. 13 is a right side view of the design of FIGS. 1-12 showing the sink covered and the storage door closed;

FIG. 14 is a left side view of the design of FIGS. 1-13 showing the sink covered and the storage door closed;

FIG. 15 is a top view of the design of FIGS. 1-14 showing the sink covered; and,

FIG. 16 is a bottom view of the design of FIGS. 1-15 showing the sink covered.

1 Claim, 9 Drawing Sheets



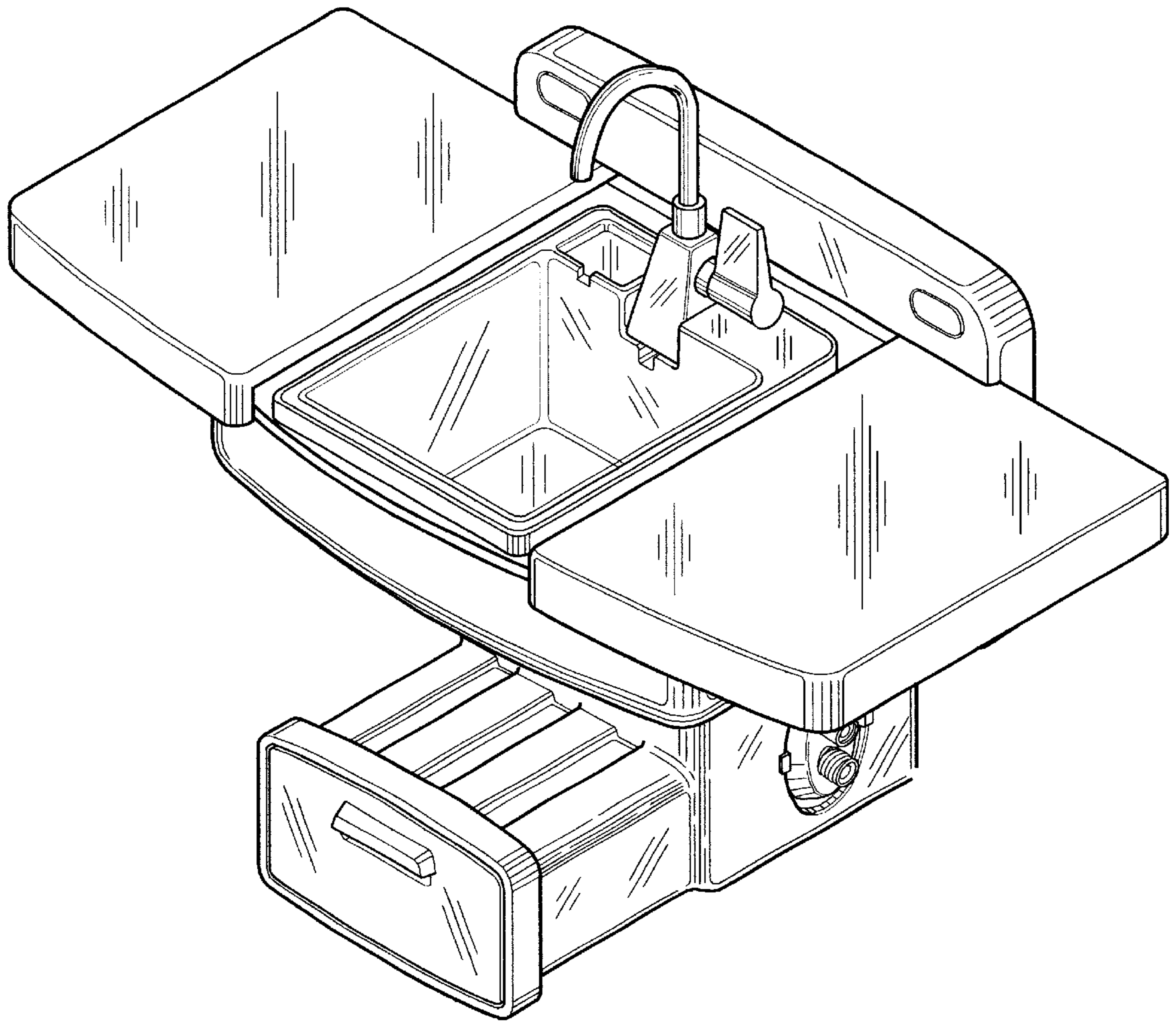


Fig. 1

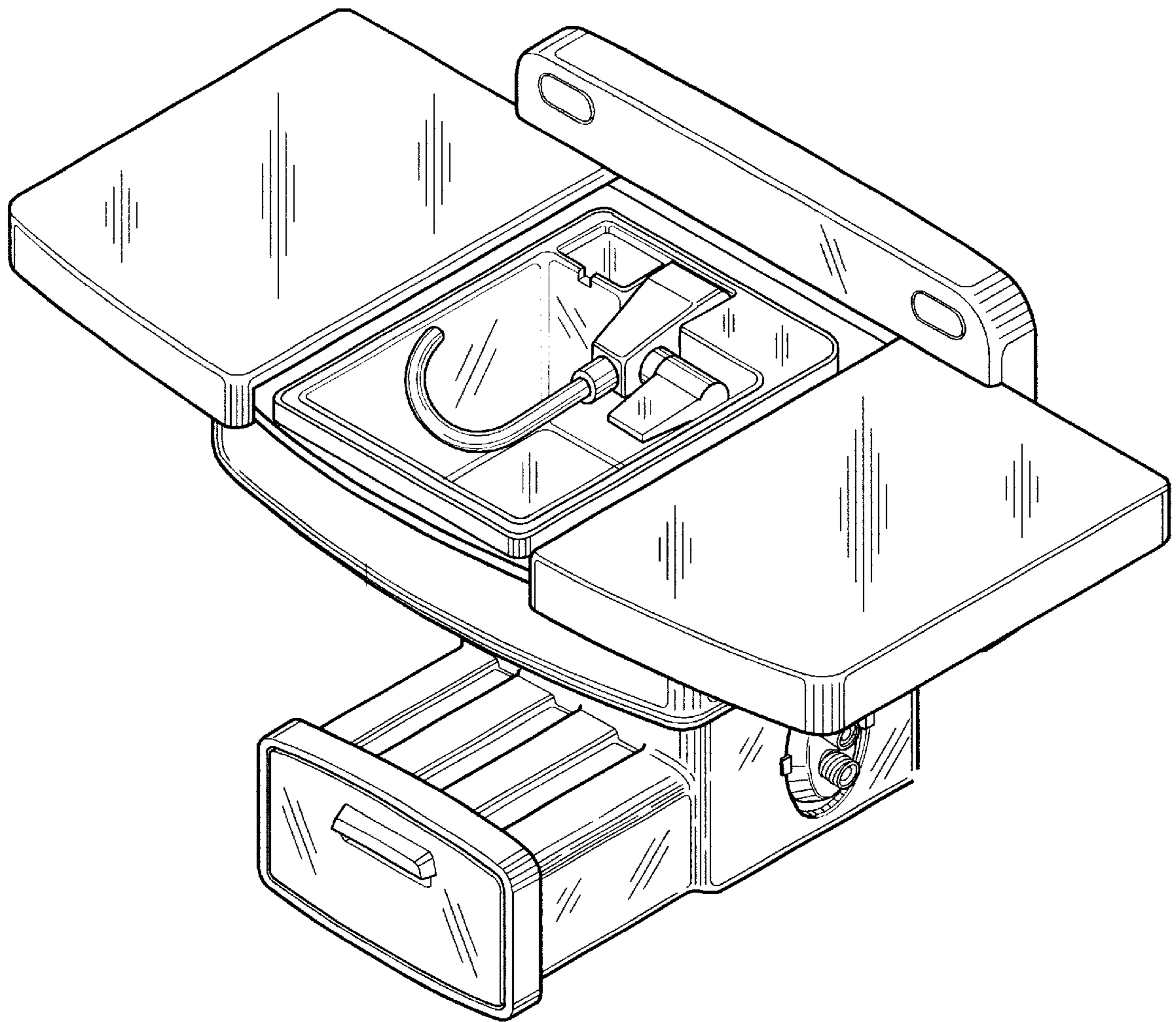


Fig. 2

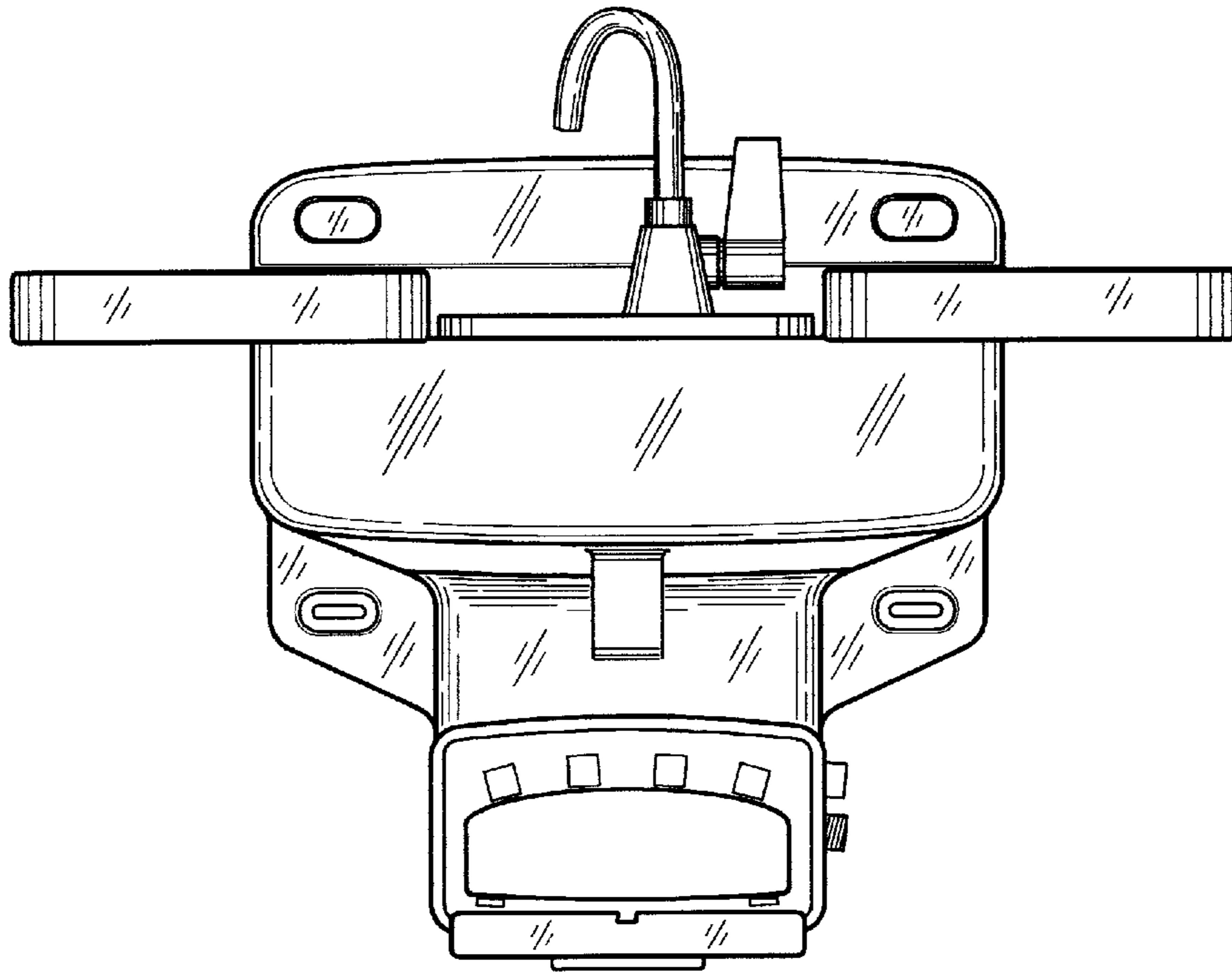


Fig. 3

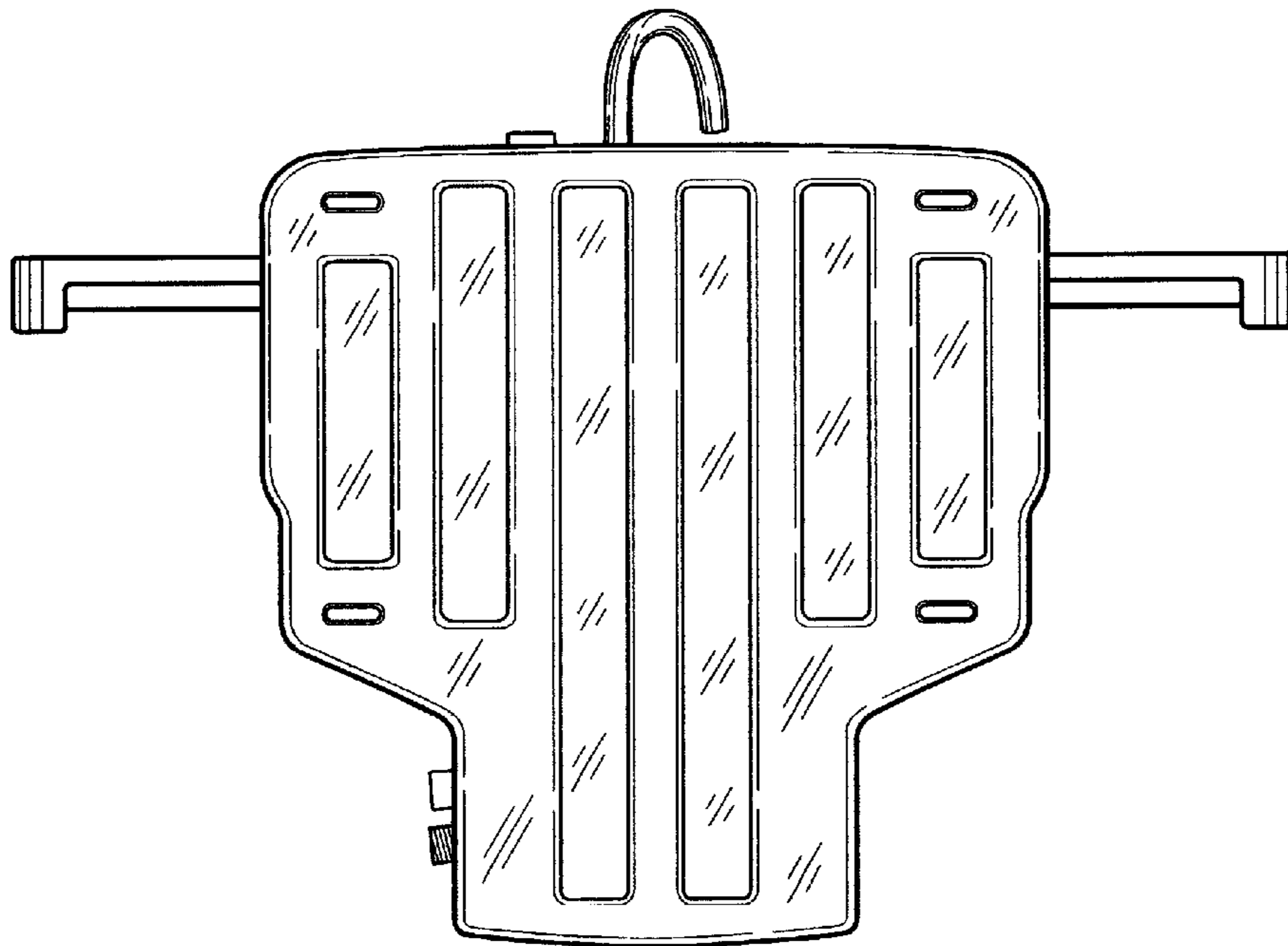


Fig. 4

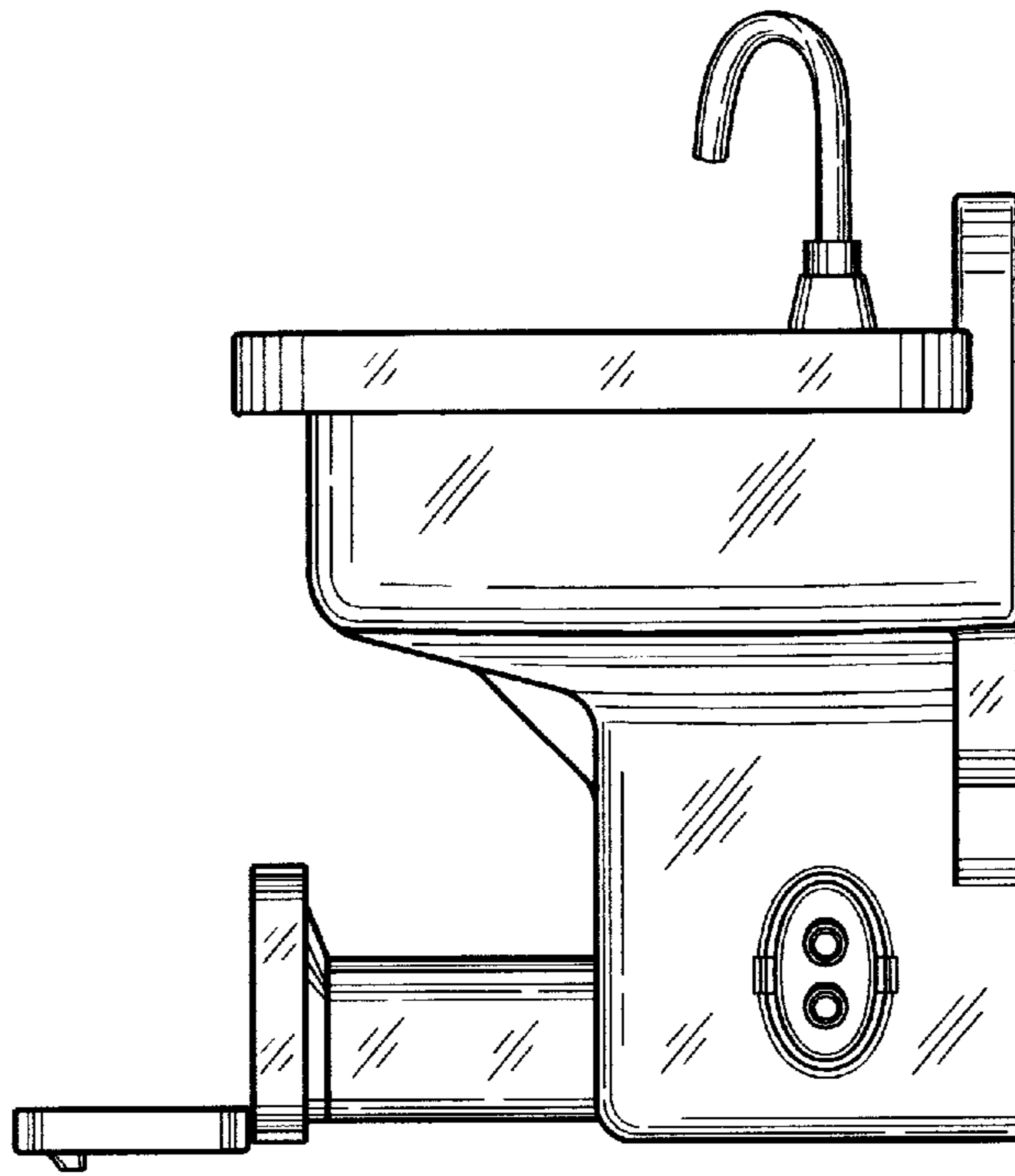


Fig. 5

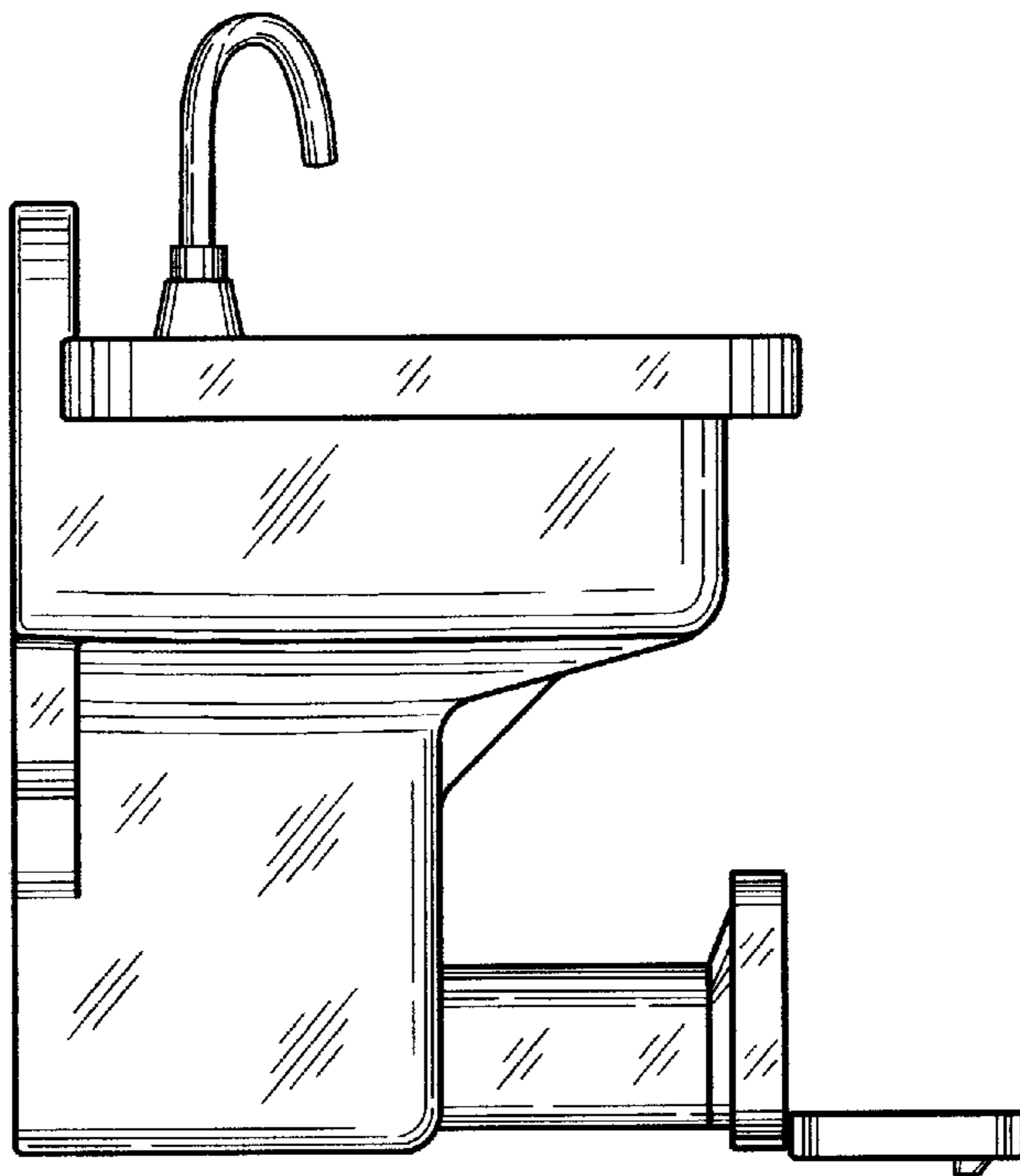


Fig. 6

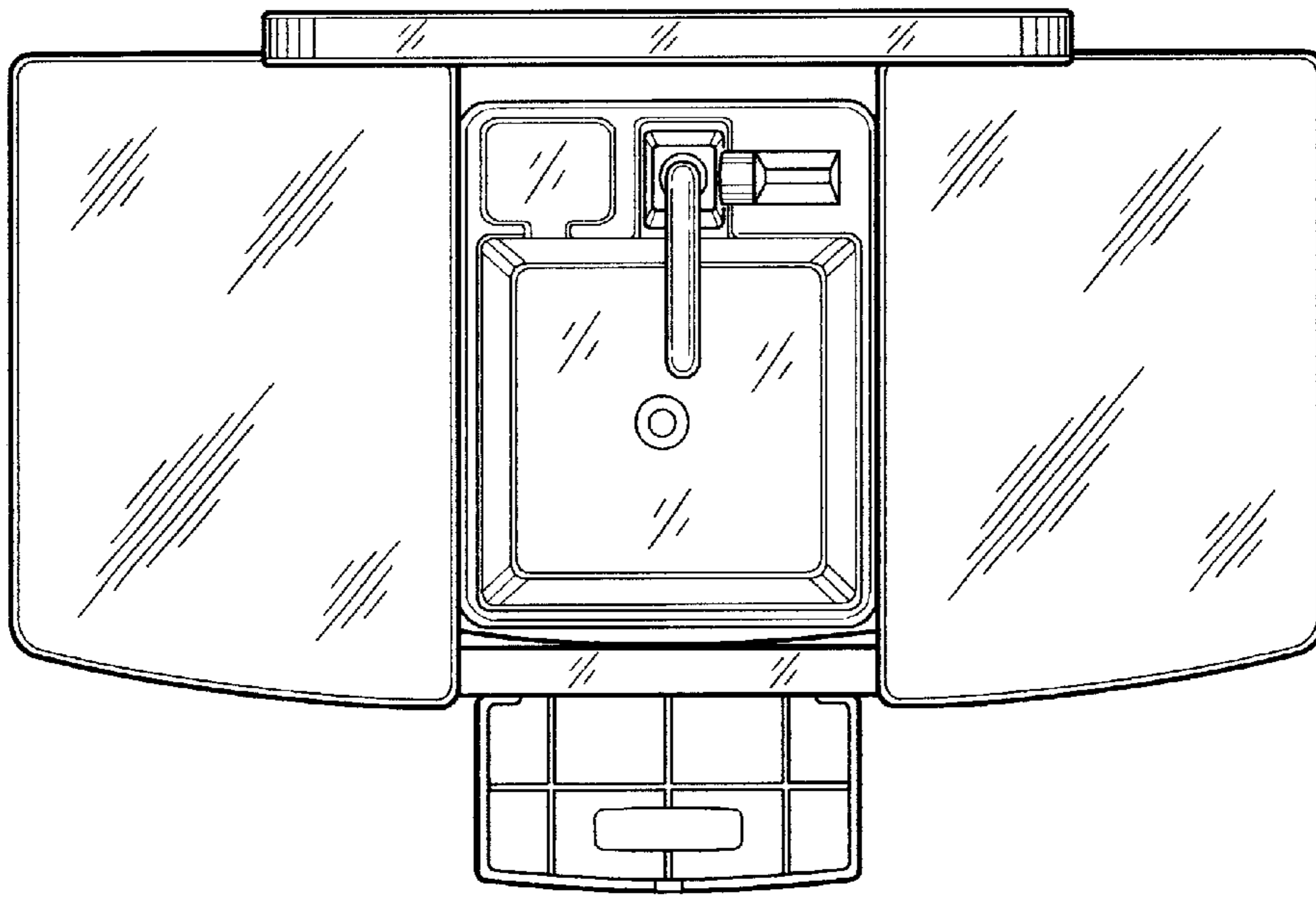


Fig. 7

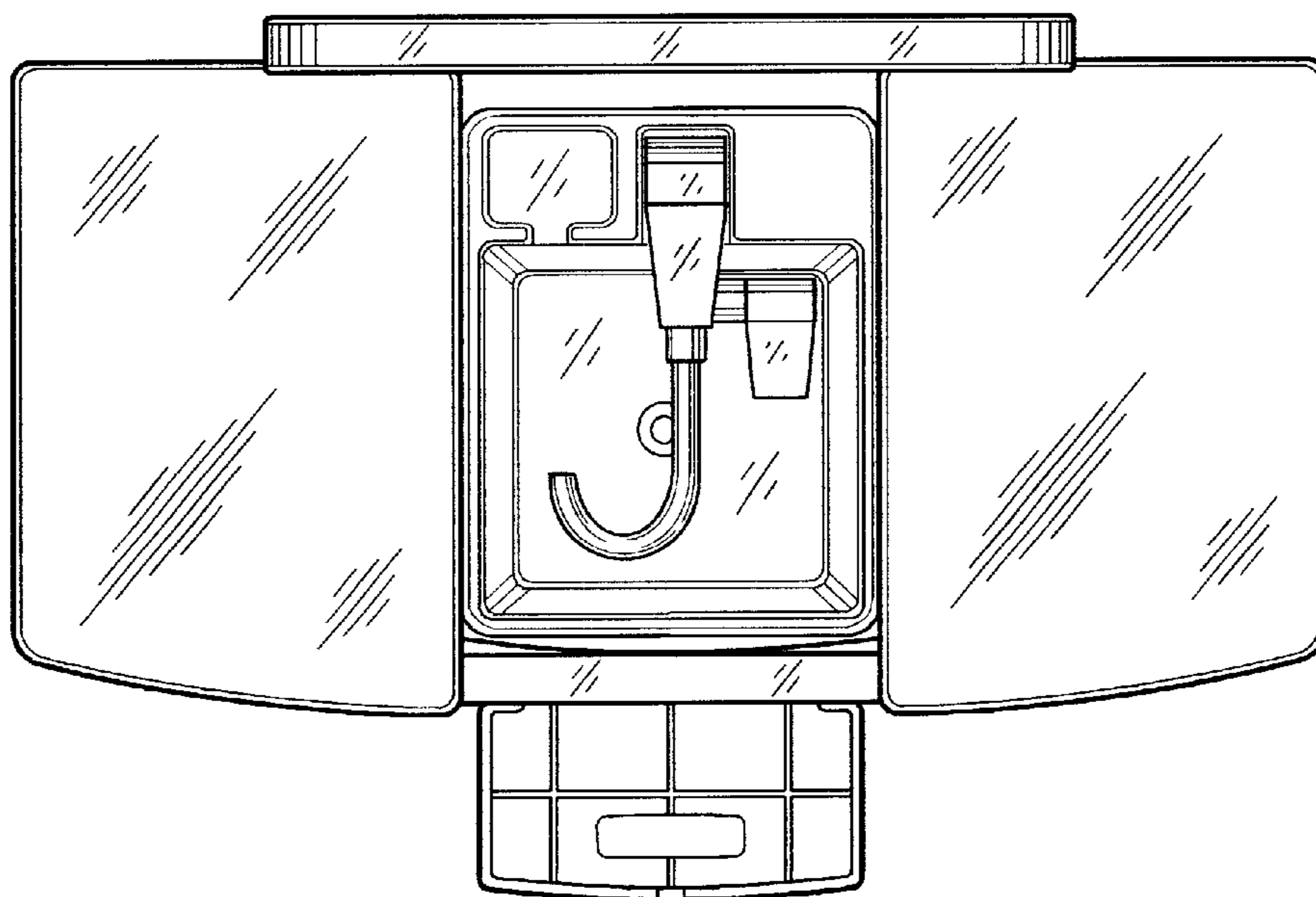


Fig. 8

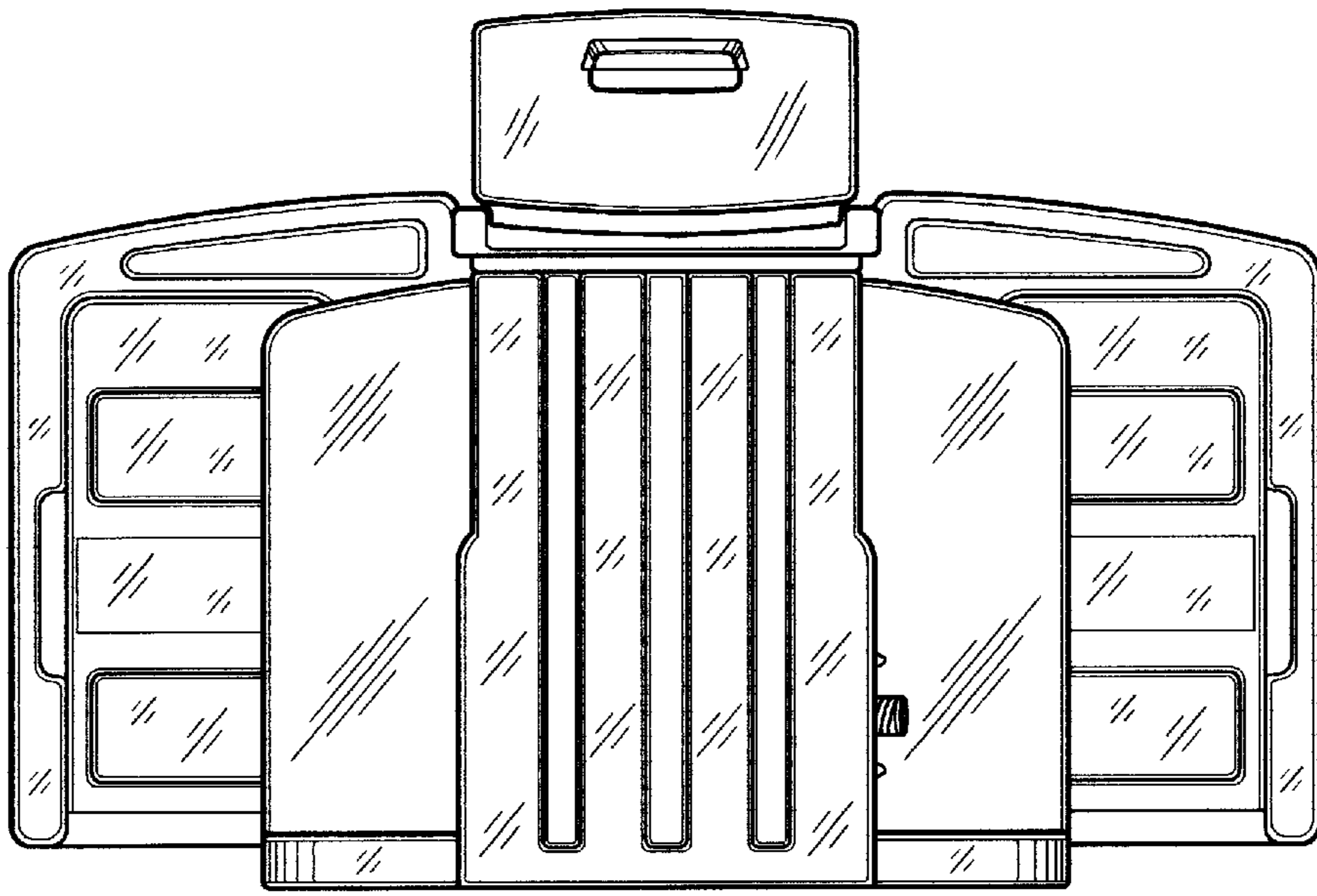


Fig. 9

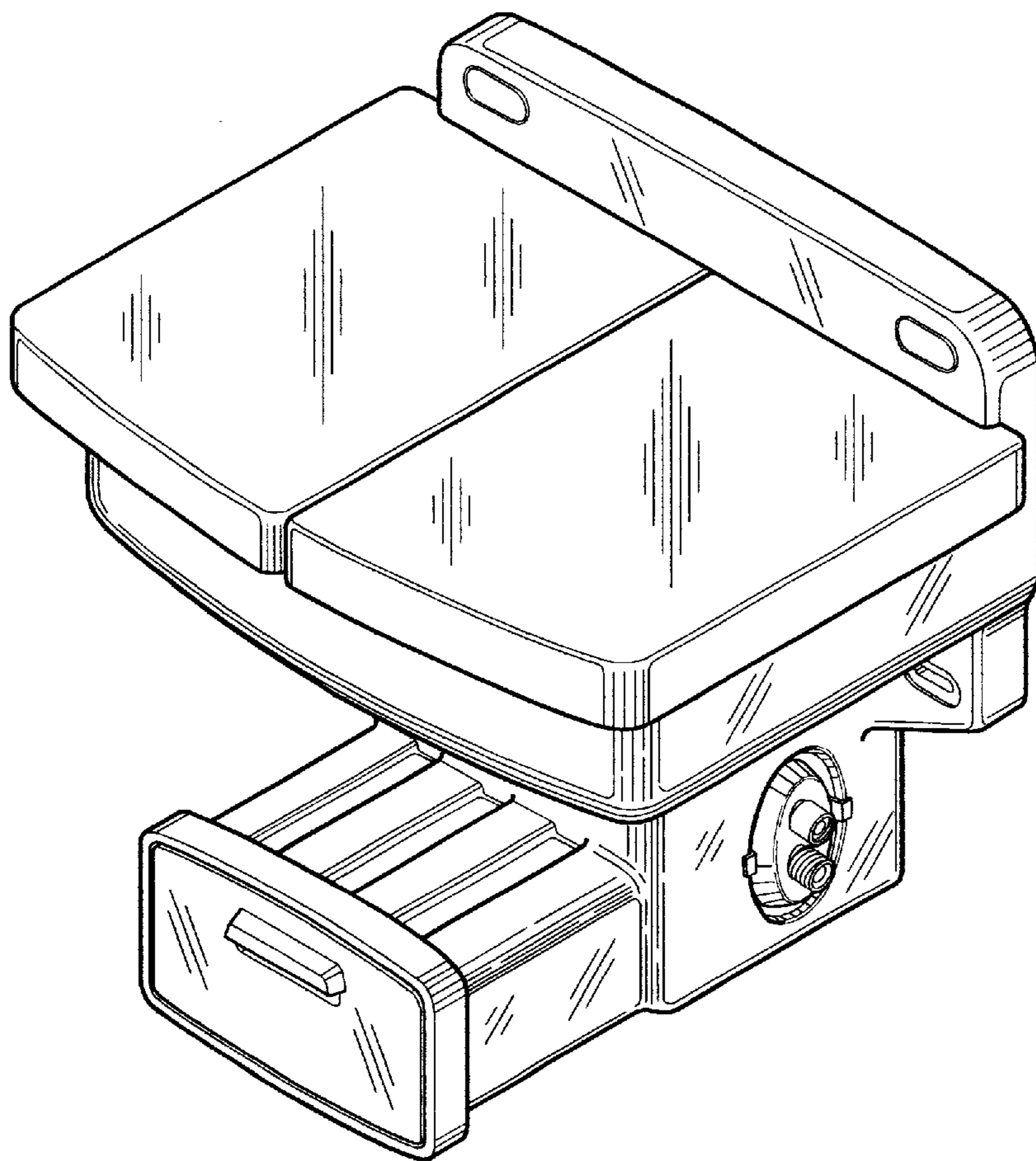


Fig. 10

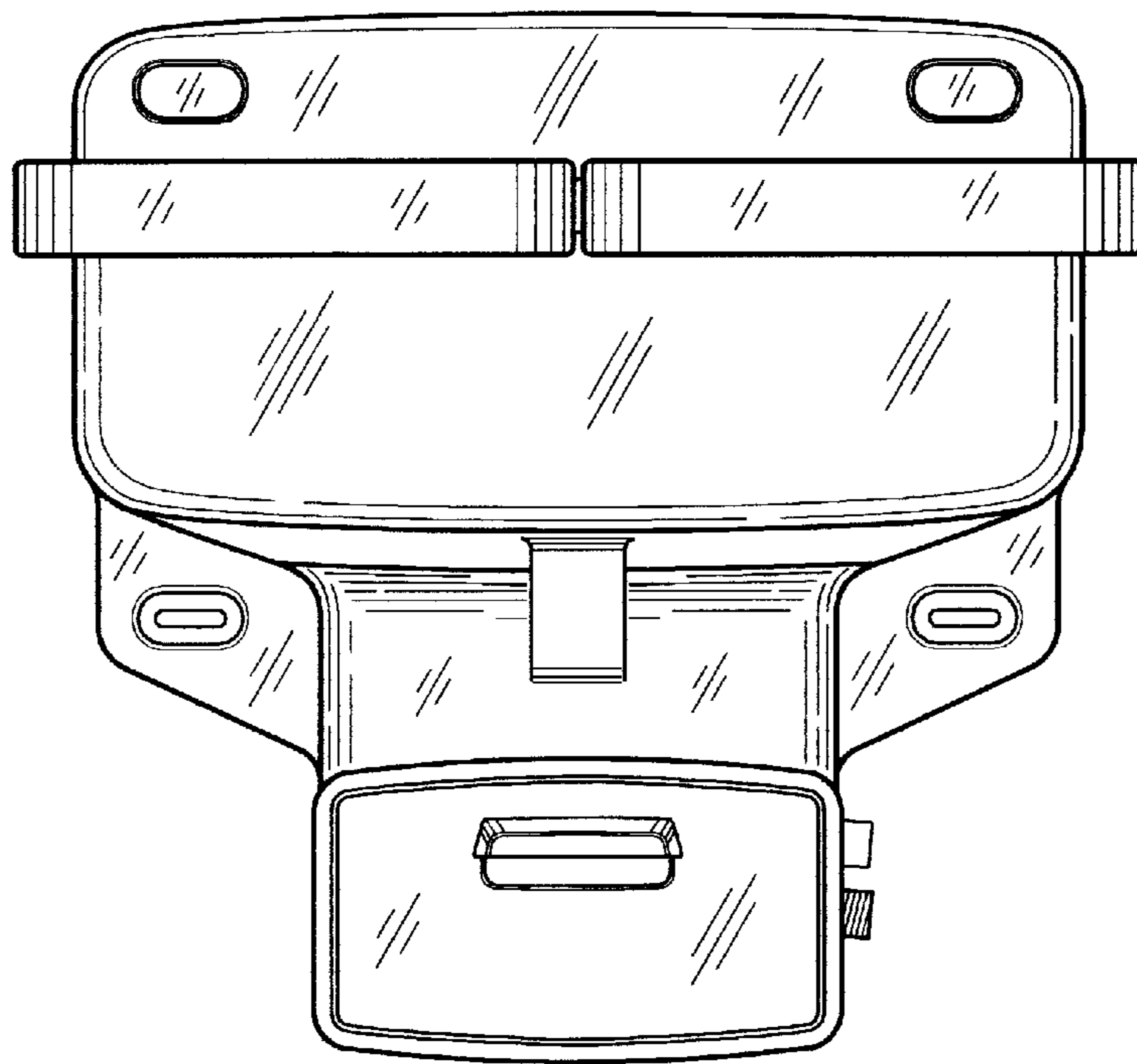


Fig.11

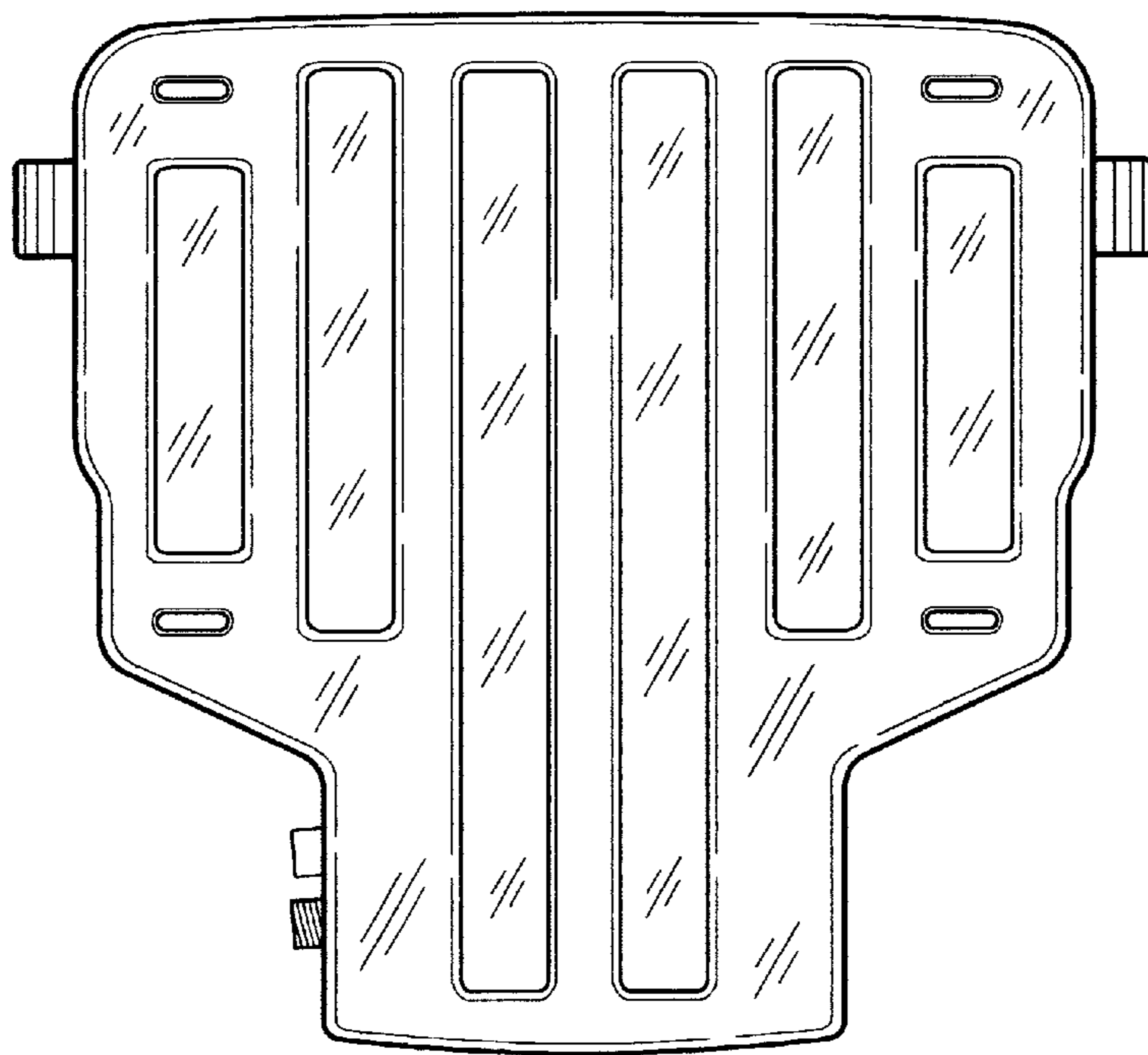


Fig.12

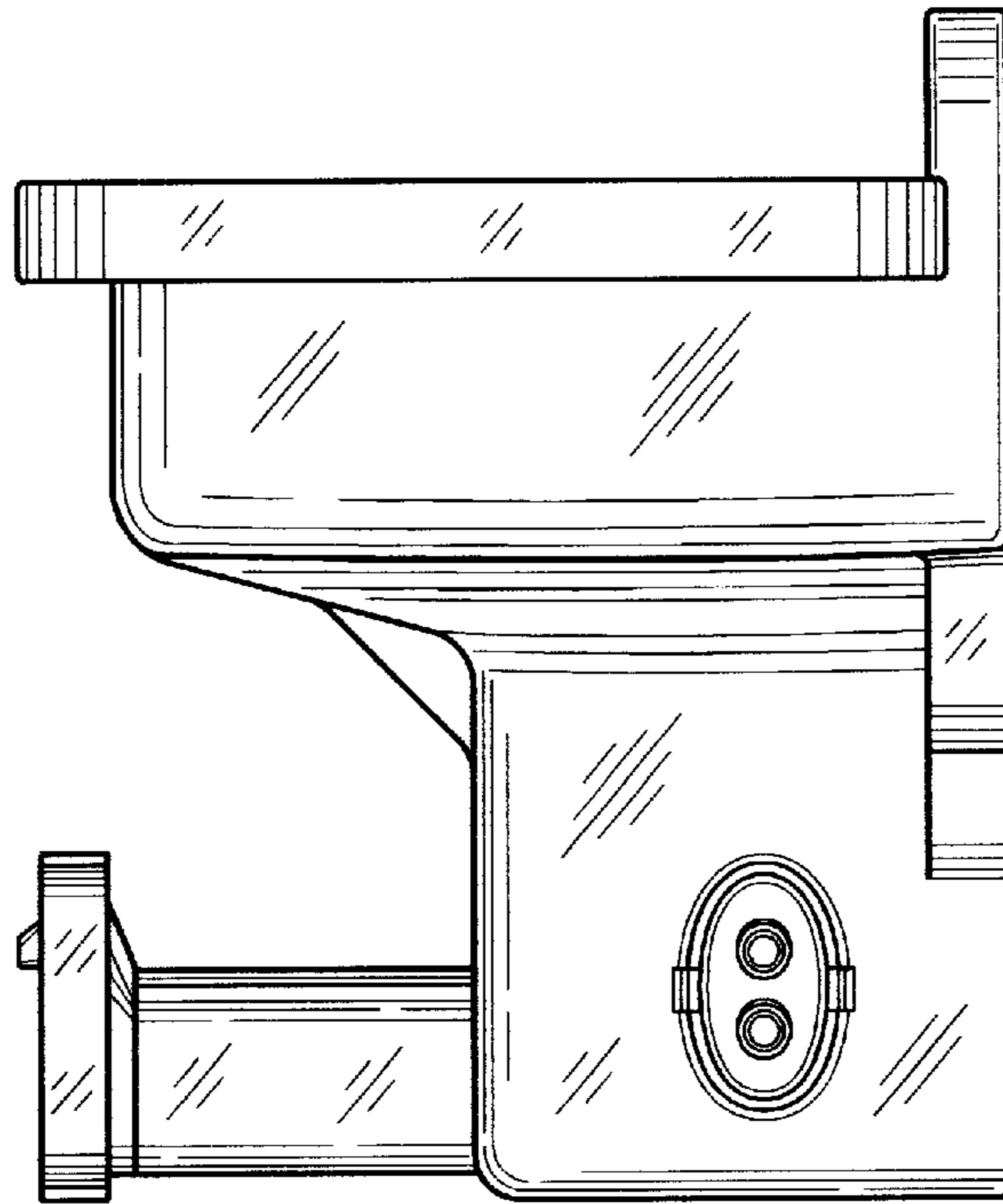


Fig.13

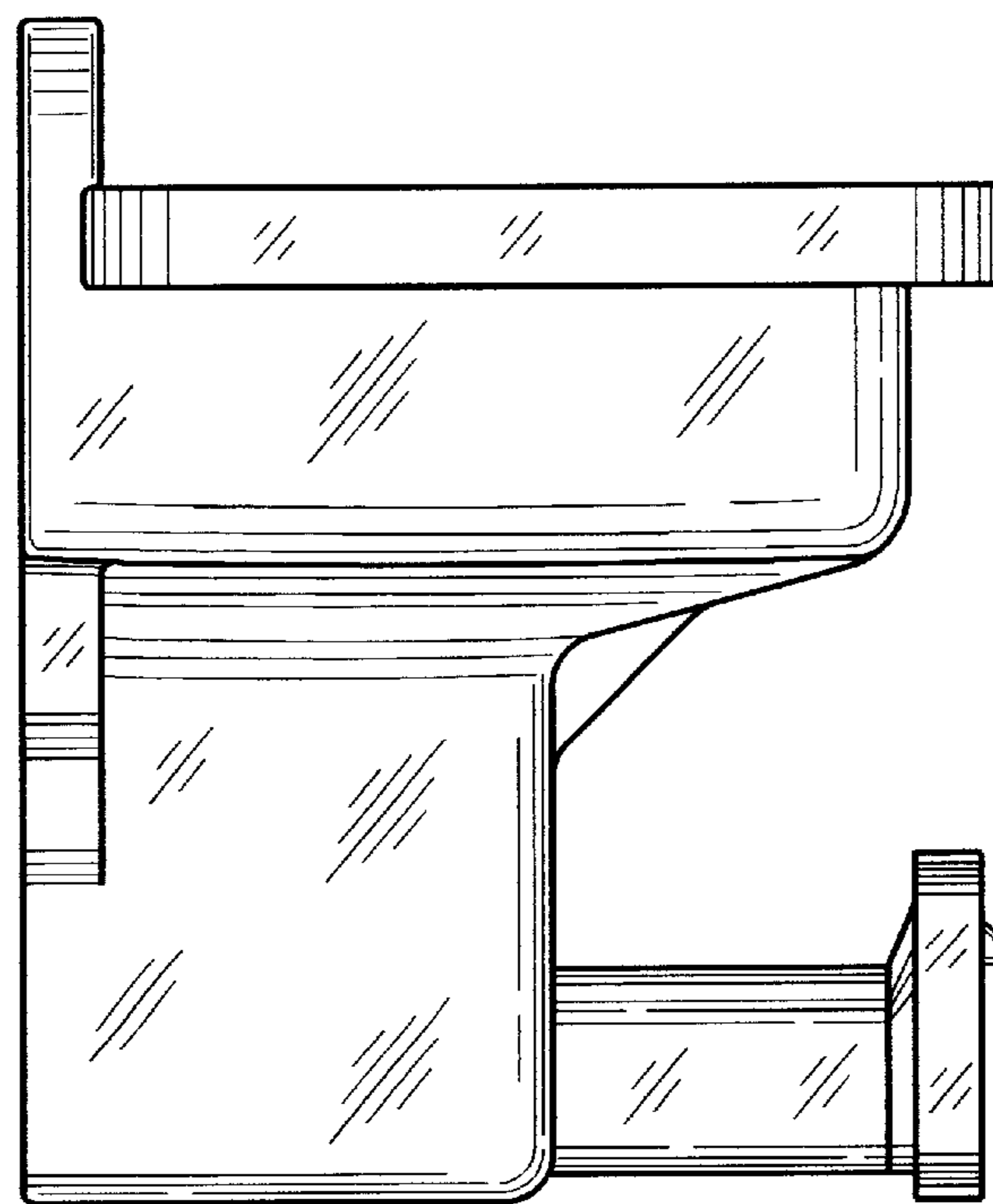


Fig.14

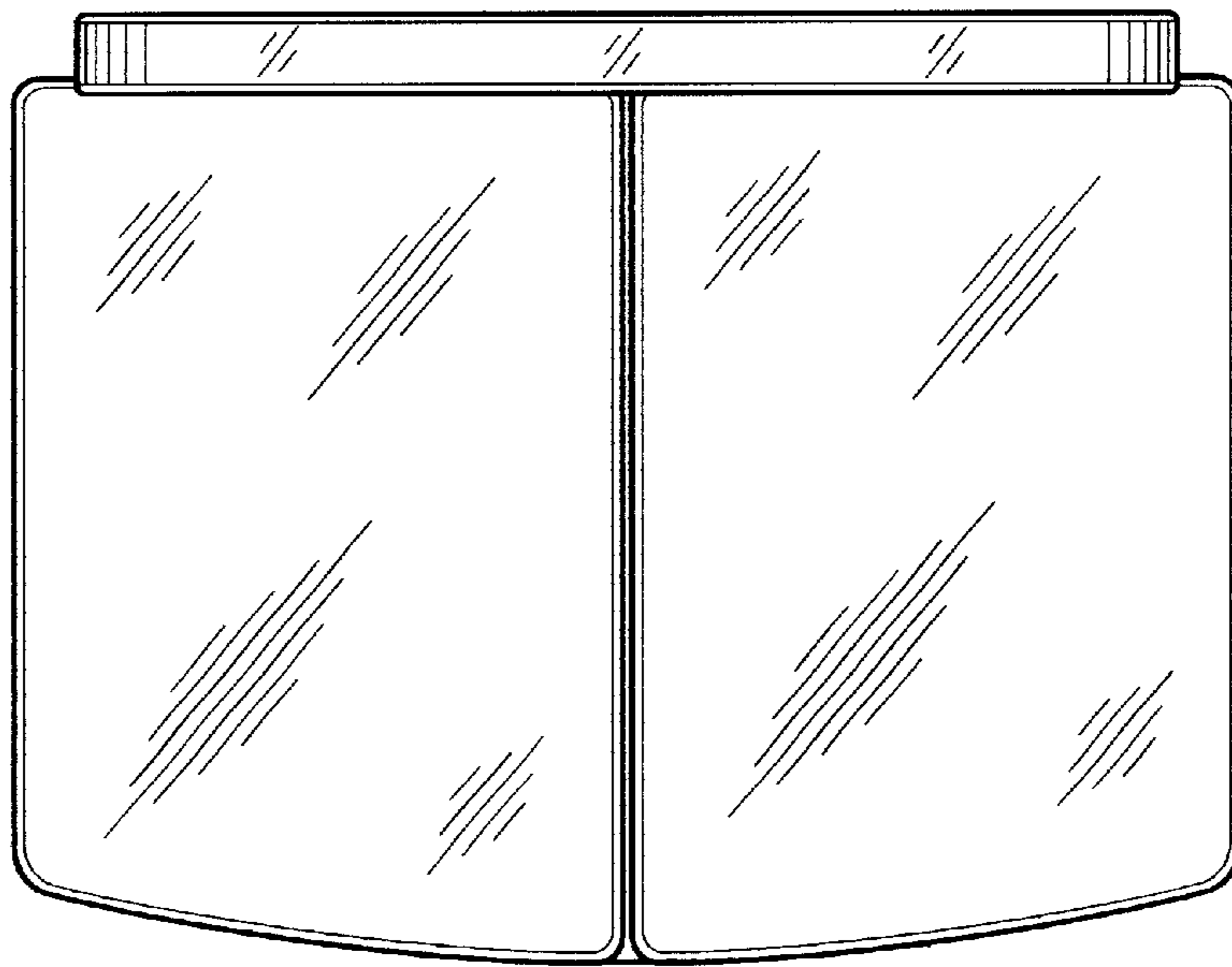


Fig. 15

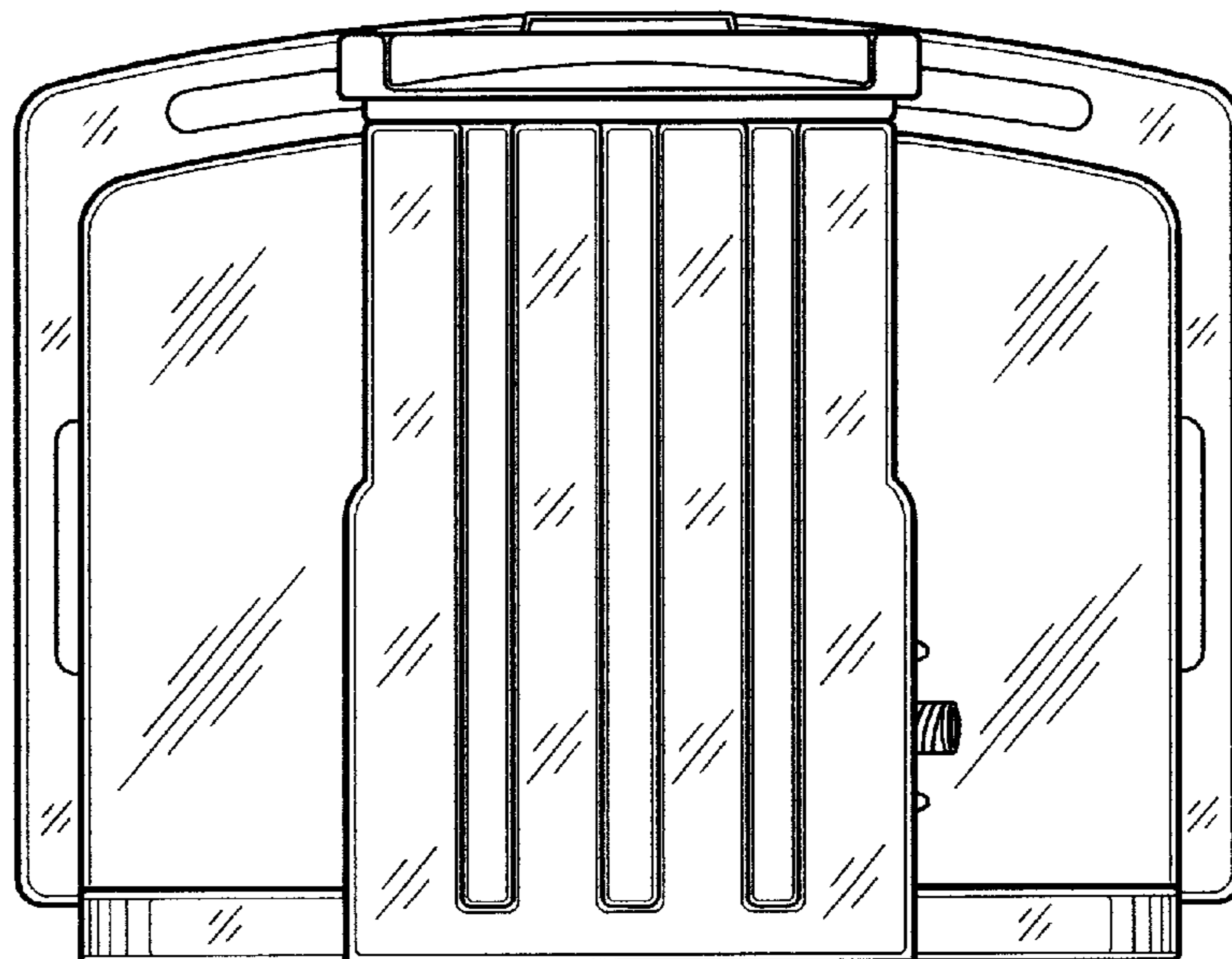


Fig. 16