



US00D461879S

(12) **United States Design Patent**  
**Müllenmeister**

(10) **Patent No.:** **US D461,879 S**

(45) **Date of Patent:** **\*\* Aug. 20, 2002**

(54) **DECK-MOUNT WATER OUTLET SPOUT**  
(75) Inventor: **Daniel Müllenmeister**, Havixbeck (DE)  
(73) Assignee: **Friedrich Grohe AG & Co. KG**,  
Hemer (DE)  
(\*\*) Term: **14 Years**

D357,526 S \* 4/1995 Jans ..... D23/257  
D361,624 S \* 8/1995 Fabian ..... D23/257  
D405,165 S \* 2/1999 Kolada ..... D23/257  
D412,360 S \* 7/1999 Lord ..... D23/255  
D415,259 S \* 10/1999 Slothower ..... D23/255  
D434,472 S \* 11/2000 Lord ..... D23/241

\* cited by examiner

(21) Appl. No.: **29/145,307**  
(22) Filed: **Jul. 19, 2001**

*Primary Examiner*—Louis S. Zarfaz  
*Assistant Examiner*—Gregory Andoll  
(74) *Attorney, Agent, or Firm*—Herbert Dubno

(30) **Foreign Application Priority Data**

(57) **CLAIM**

Feb. 28, 2001 (DE) ..... 4 01 02 070

The ornamental design for a deck-mount water outlet spout,  
as shown and described.

(51) **LOC (7) Cl.** ..... **23-01**  
(52) **U.S. Cl.** ..... **D23/257; D23/255**  
(58) **Field of Search** ..... **D23/238-257;**  
**4/675-678; 16/110 R-121; 137/801**

**DESCRIPTION**

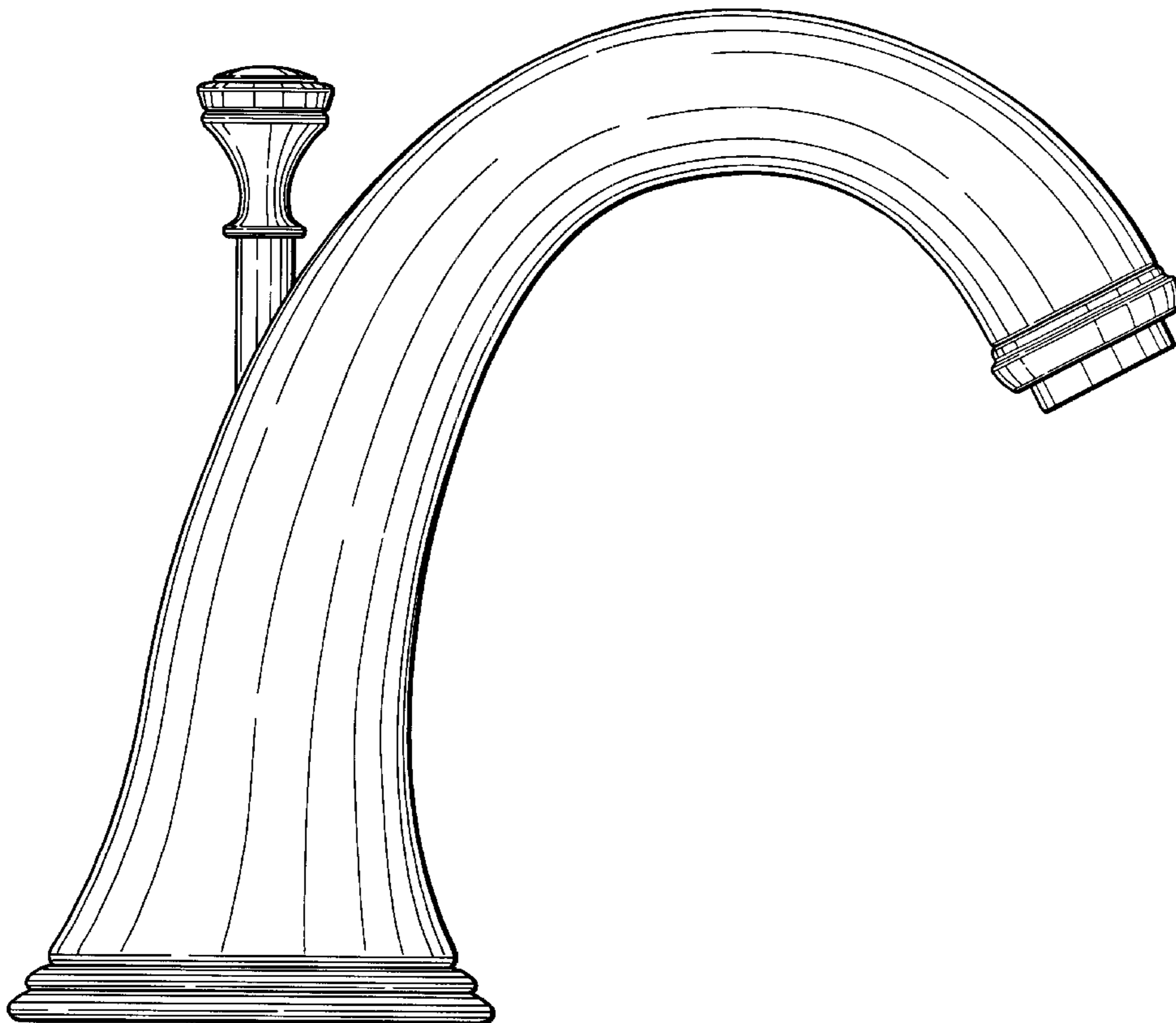
(56) **References Cited**

FIG. 1 is a top, front, left-side perspective view of a  
deck-mount water outlet spout showing my new design;  
FIG. 2 is a bottom plan view thereof;  
FIG. 3 is a left side elevational view thereof, the right side  
elevational view being mirror symmetrical thereto;  
FIG. 4 is a top plan view thereof;  
FIG. 5 is a rear elevational view thereof; and,  
FIG. 6 is a front elevational view thereof.

**U.S. PATENT DOCUMENTS**

D87,829 S \* 9/1932 Ferguson ..... D23/257  
D285,597 S \* 9/1986 Miller et al. .... D23/242  
D299,161 S \* 12/1988 Frattini ..... D23/255  
D313,646 S \* 1/1991 Selberg ..... D23/255  
D348,510 S \* 7/1994 Gottwald ..... D23/257

**1 Claim, 3 Drawing Sheets**



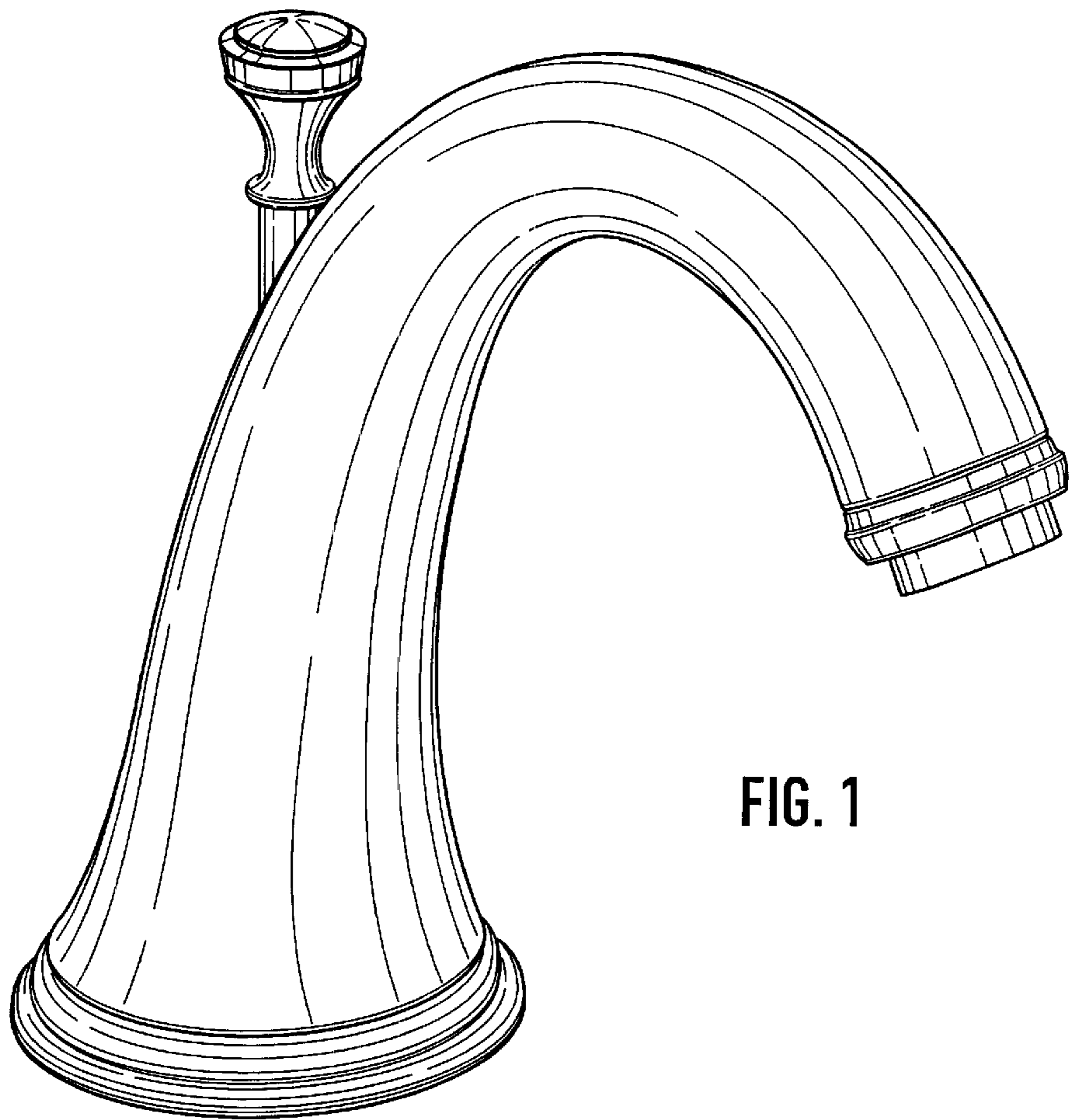


FIG. 1

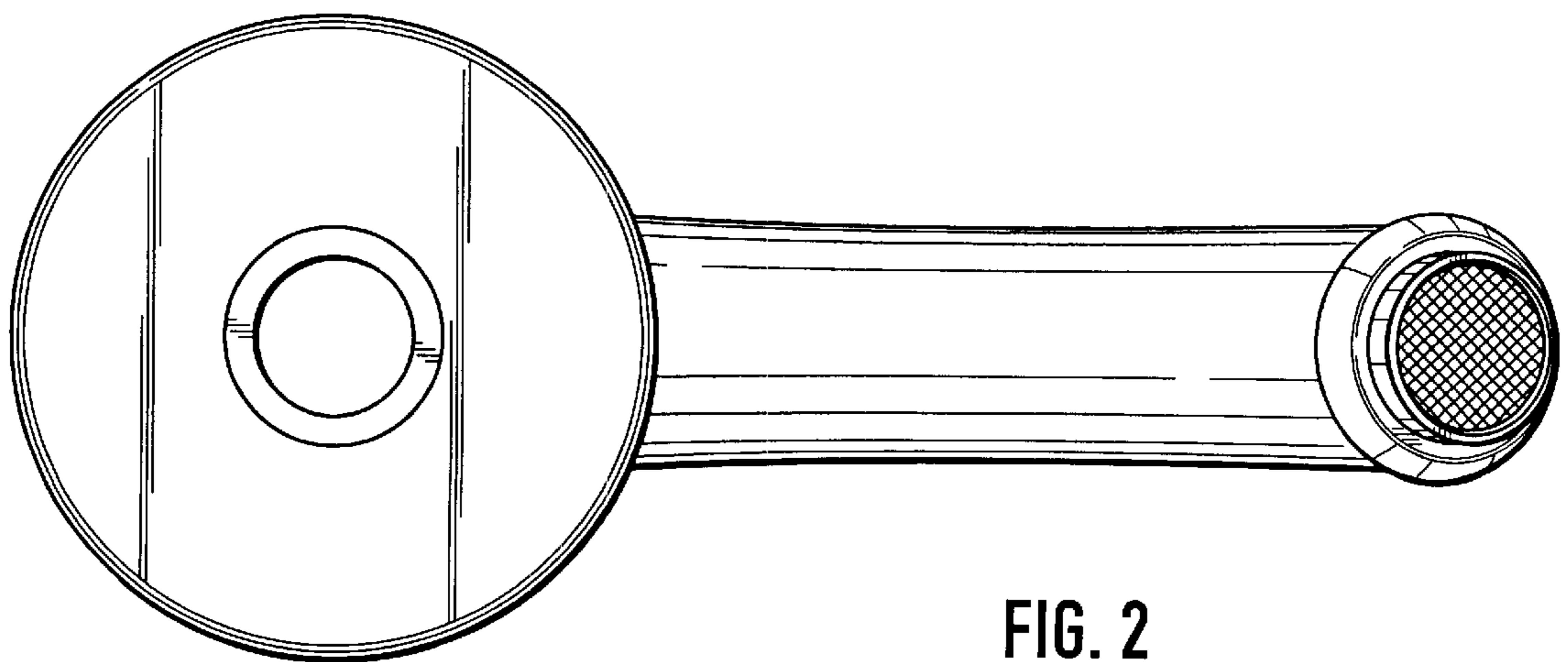


FIG. 2

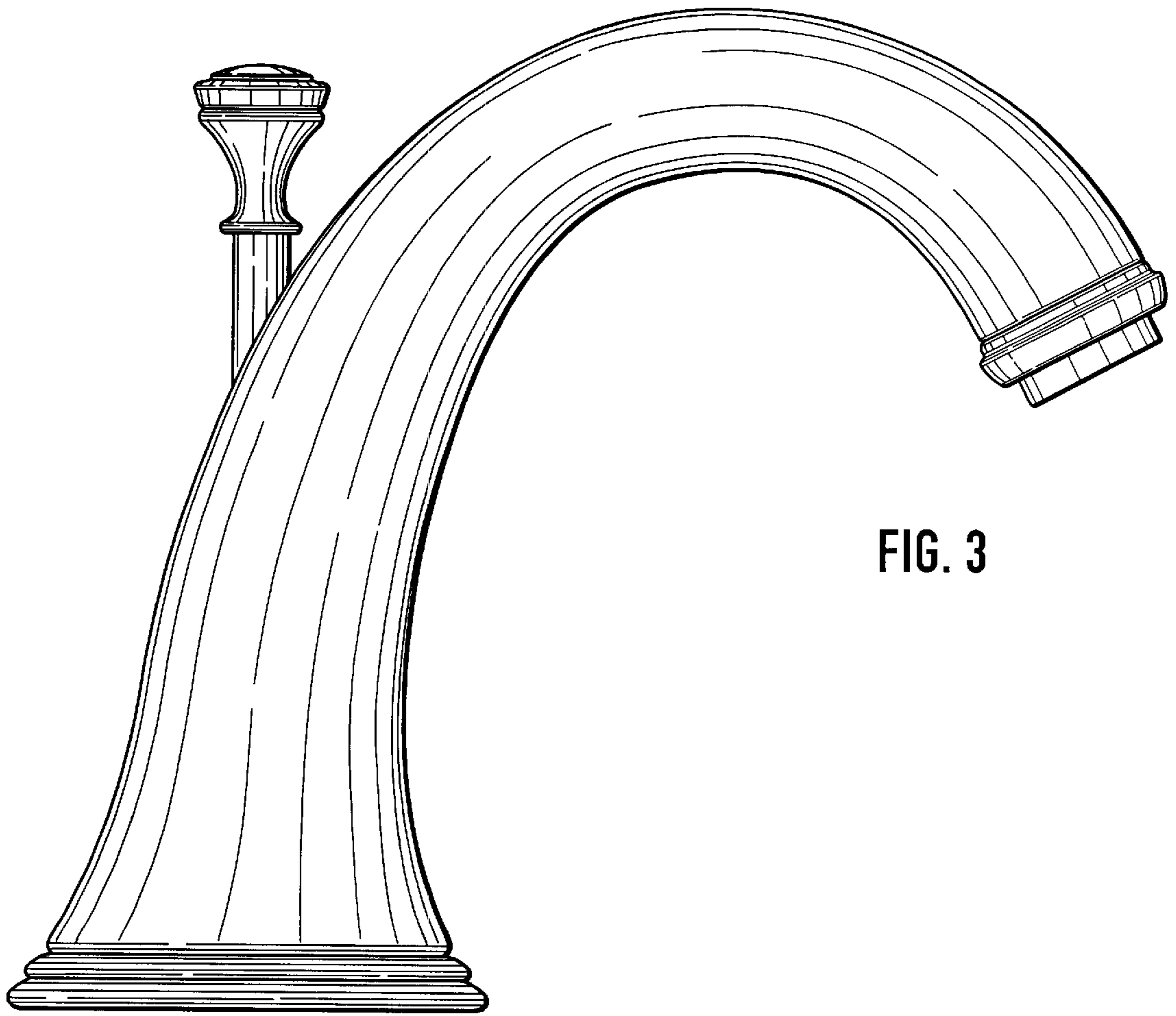


FIG. 3

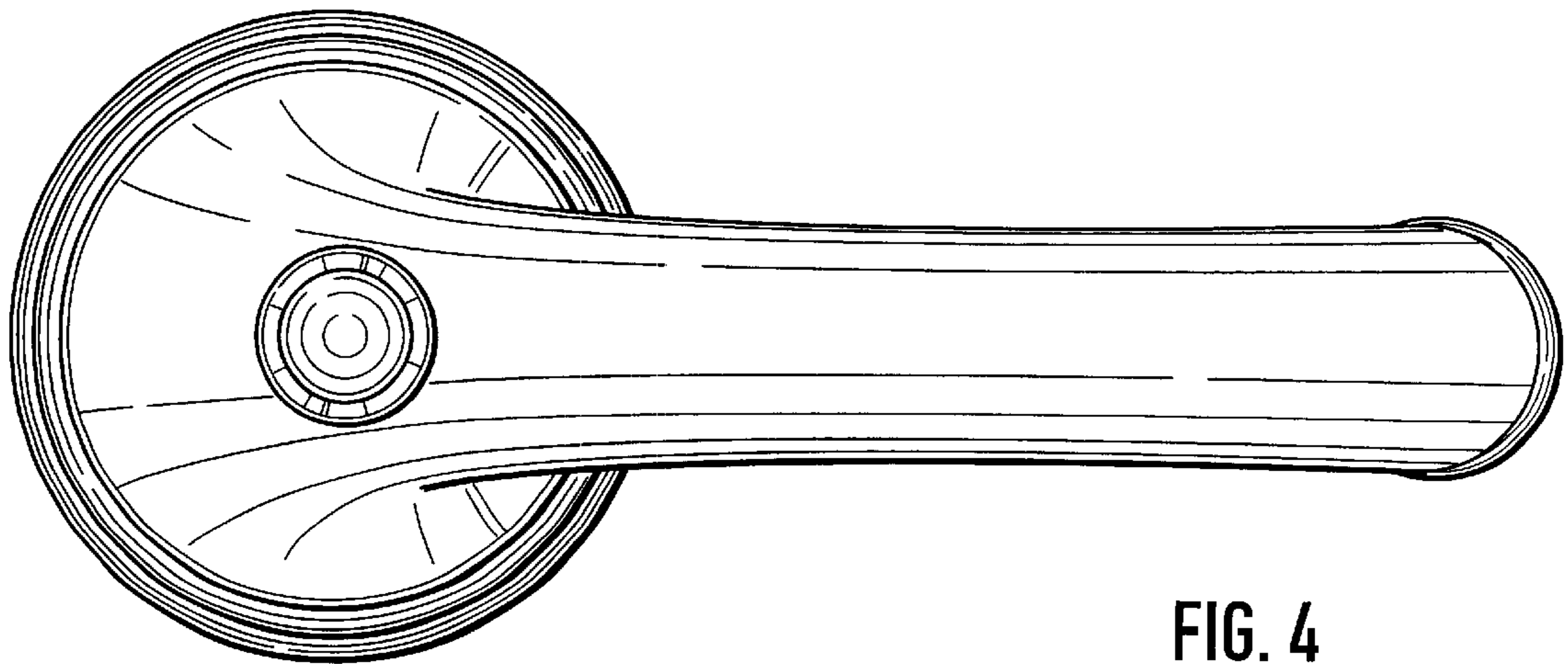


FIG. 4

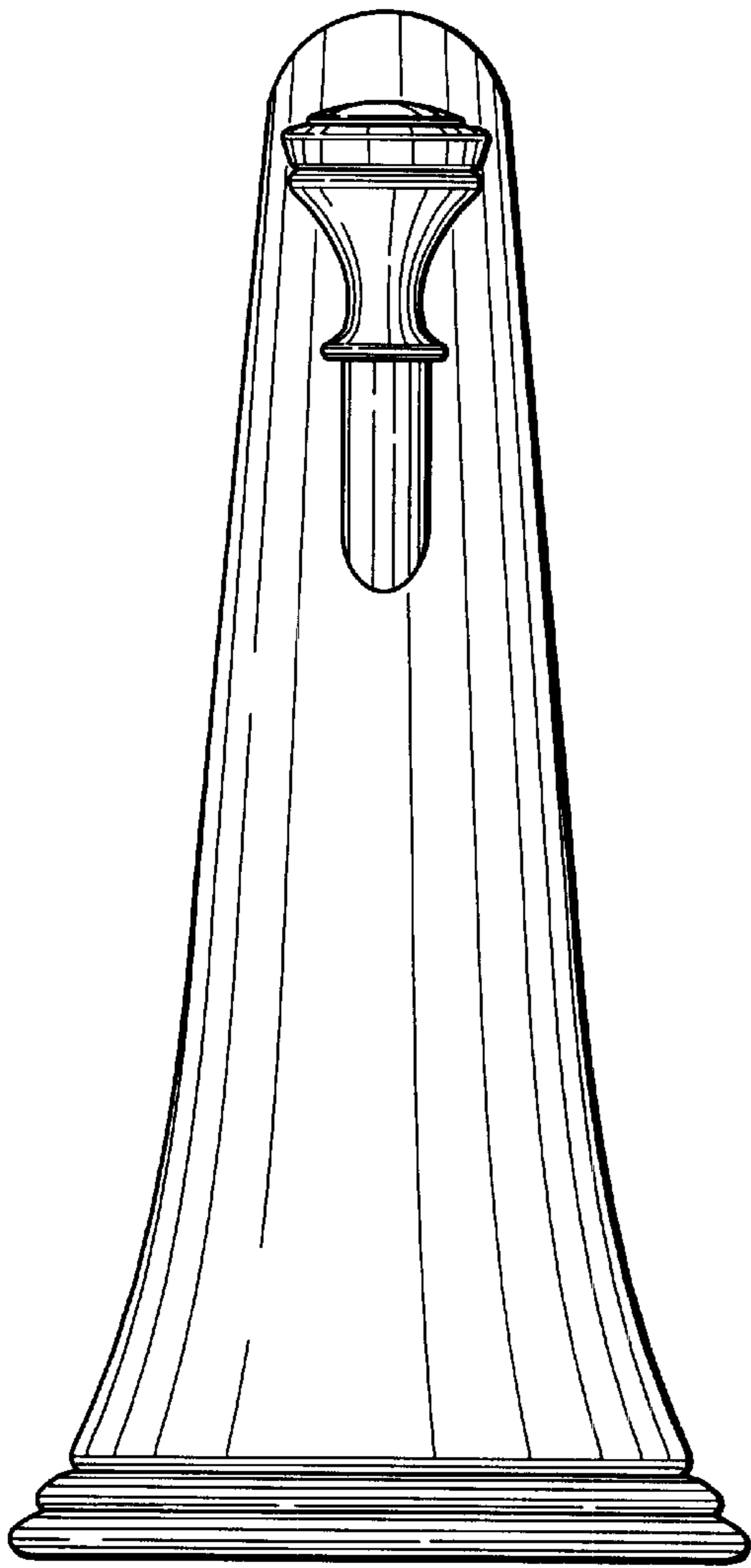


FIG. 5

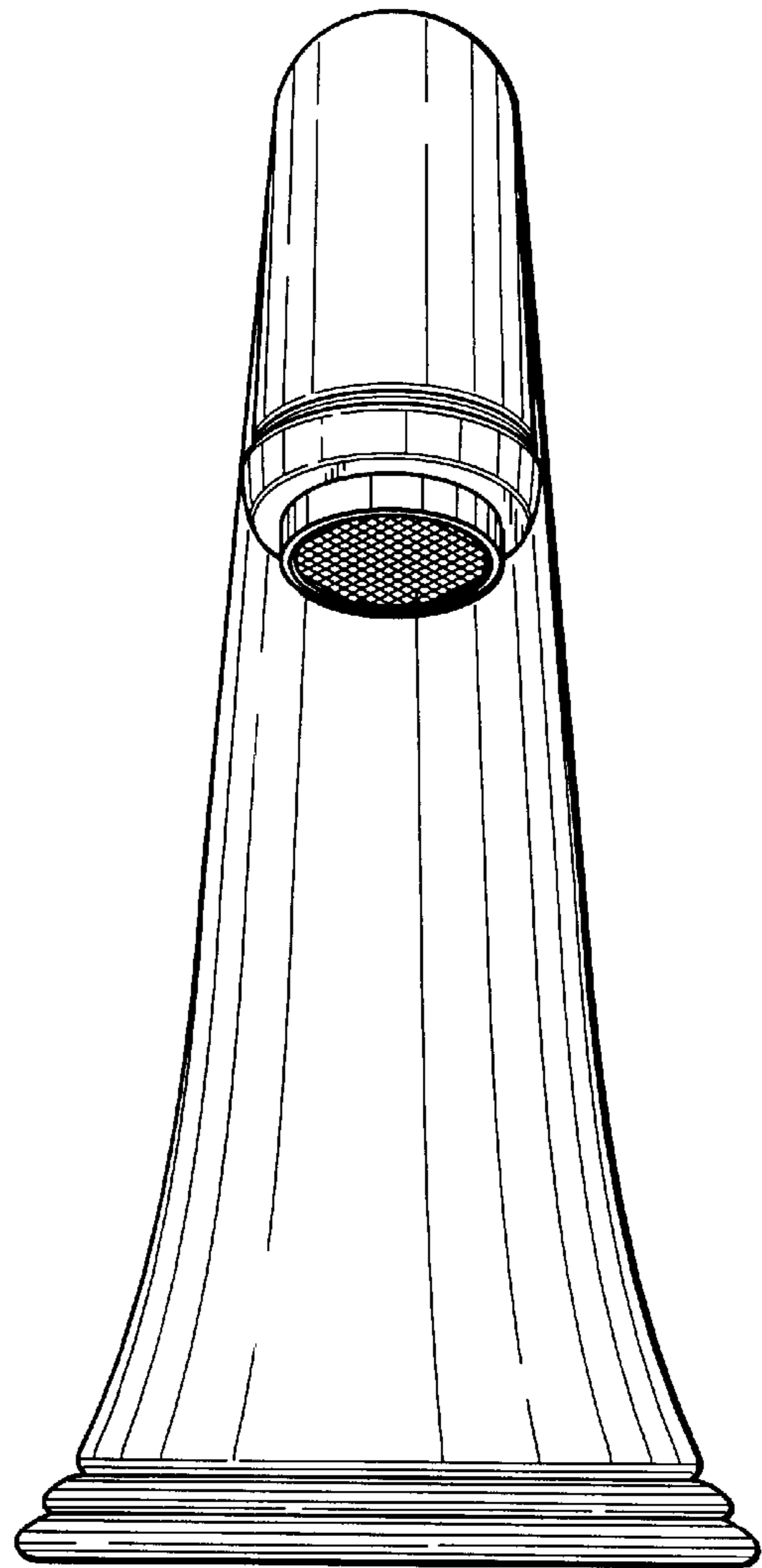


FIG. 6