



US00D461878S

(12) **United States Design Patent**  
**Green et al.**

(10) **Patent No.:** **US D461,878 S**

(45) **Date of Patent:** **\*\* Aug. 20, 2002**

(54) **TUB/SHOWER CONTROL KNOB**

(75) Inventors: **Eric Green**, Cleveland Heights;  
**Douglas A. Kemp**, North Ridgeville,  
both of OH (US)

(73) Assignee: **Moen Incorporated**, North Olmsted,  
OH (US)

(\*\*) Term: **14 Years**

(21) Appl. No.: **29/135,914**

(22) Filed: **Jan. 19, 2001**

(51) **LOC (7) Cl.** ..... **23-01**

(52) **U.S. Cl.** ..... **D23/254; D23/252; D23/250**

(58) **Field of Search** ..... **D23/238-245,**  
**D23/249-257; D8/300-310, 350-354; 4/675-678;**  
**16/110 R-121; 137/801**

(56) **References Cited**

**U.S. PATENT DOCUMENTS**

D22,025 S	11/1892	Schwendner	
D56,023 S	8/1920	Newton	
D60,383 S	2/1922	Steeple	
D179,659 S	2/1957	Schoepe	
D212,093 S	8/1968	Smidt	
D219,782 S	1/1971	Tiller	
D277,933 S	3/1985	Valli	
D285,597 S	9/1986	Miller et al.	
D299,515 S	* 1/1989	Fabnian	..... D23/250
D355,021 S	* 1/1995	Schott et al.	..... D23/254
D357,525 S	4/1995	Fabian	
D379,453 S	5/1997	Fabrizi	

D384,730 S	10/1997	Doughty et al.	
D387,855 S	12/1997	Spangler	
D390,638 S	2/1998	Ko	
D391,351 S	2/1998	Ko	
D395,812 S	7/1998	Doughty et al.	
D402,005 S	12/1998	Ko	
D404,802 S	1/1999	Delker	
D427,291 S	* 6/2000	Milrud et al.	..... D23/254
D429,798 S	* 8/2000	Milrud et al.	..... D23/252
D433,737 S	11/2000	Milrud et al.	
D435,288 S	12/2000	Milrud et al.	
D443,032 S	* 5/2001	Milrud et al.	..... D23/250
D443,341 S	* 6/2001	Burns et al.	..... D23/254

\* cited by examiner

*Primary Examiner*—Louis S. Zarfaz

*Assistant Examiner*—Gregory Andoll

(74) *Attorney, Agent, or Firm*—Cook, Alex, McFarron,  
Manzo, Cummings & Mehler, Ltd.

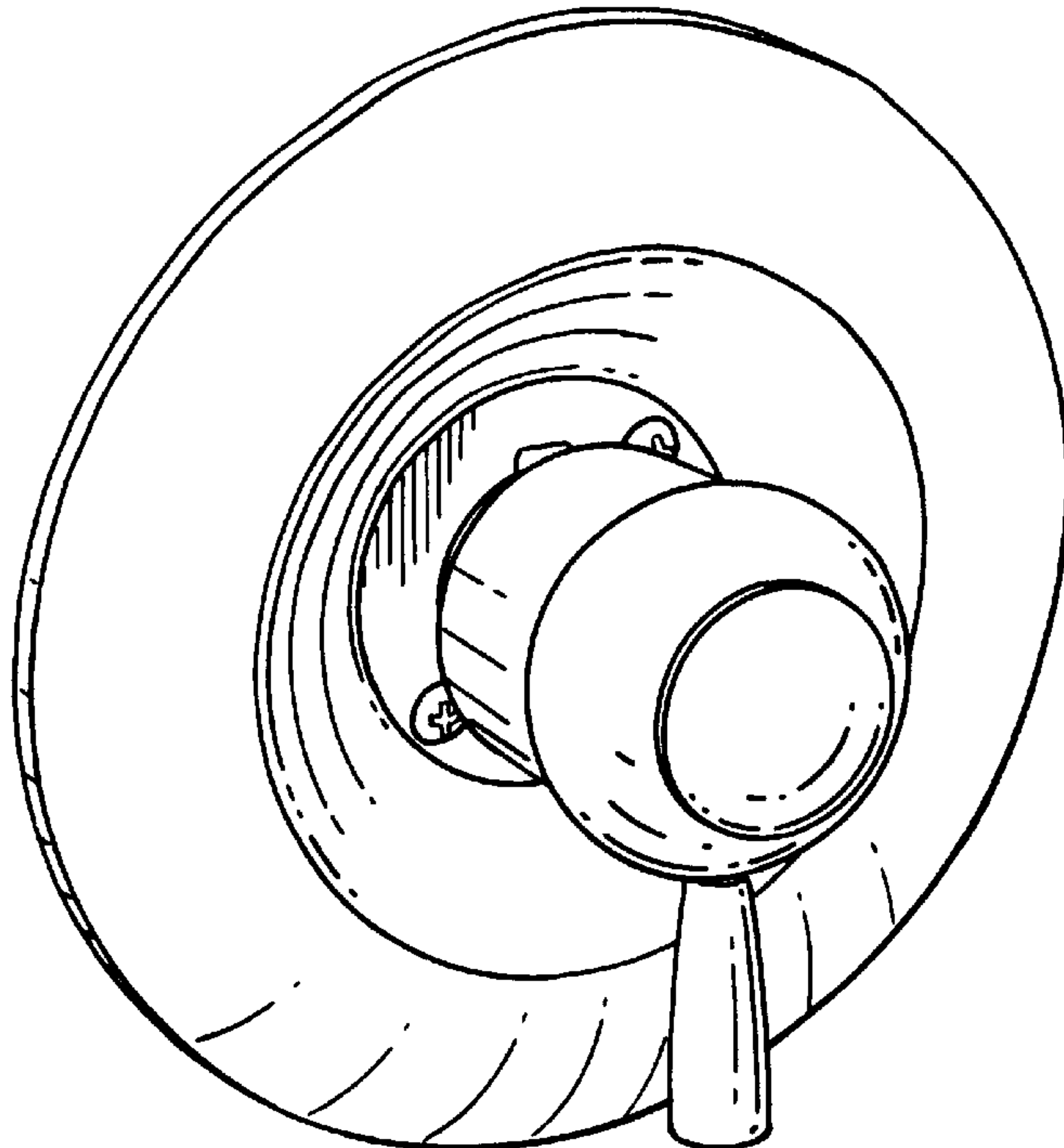
(57) **CLAIM**

The ornamental design for a tub/shower control knob, as shown and described.

**DESCRIPTION**

FIG. 1 is a perspective view of our new design for a tub/shower control knob;  
FIG. 2 is a front view thereof;  
FIG. 3 is a top view thereof;  
FIG. 4 is a left side view thereof, the right side being the same as the left side;  
FIG. 5 is a bottom view thereof; and,  
FIG. 6 is a rear view thereof.

**1 Claim, 2 Drawing Sheets**



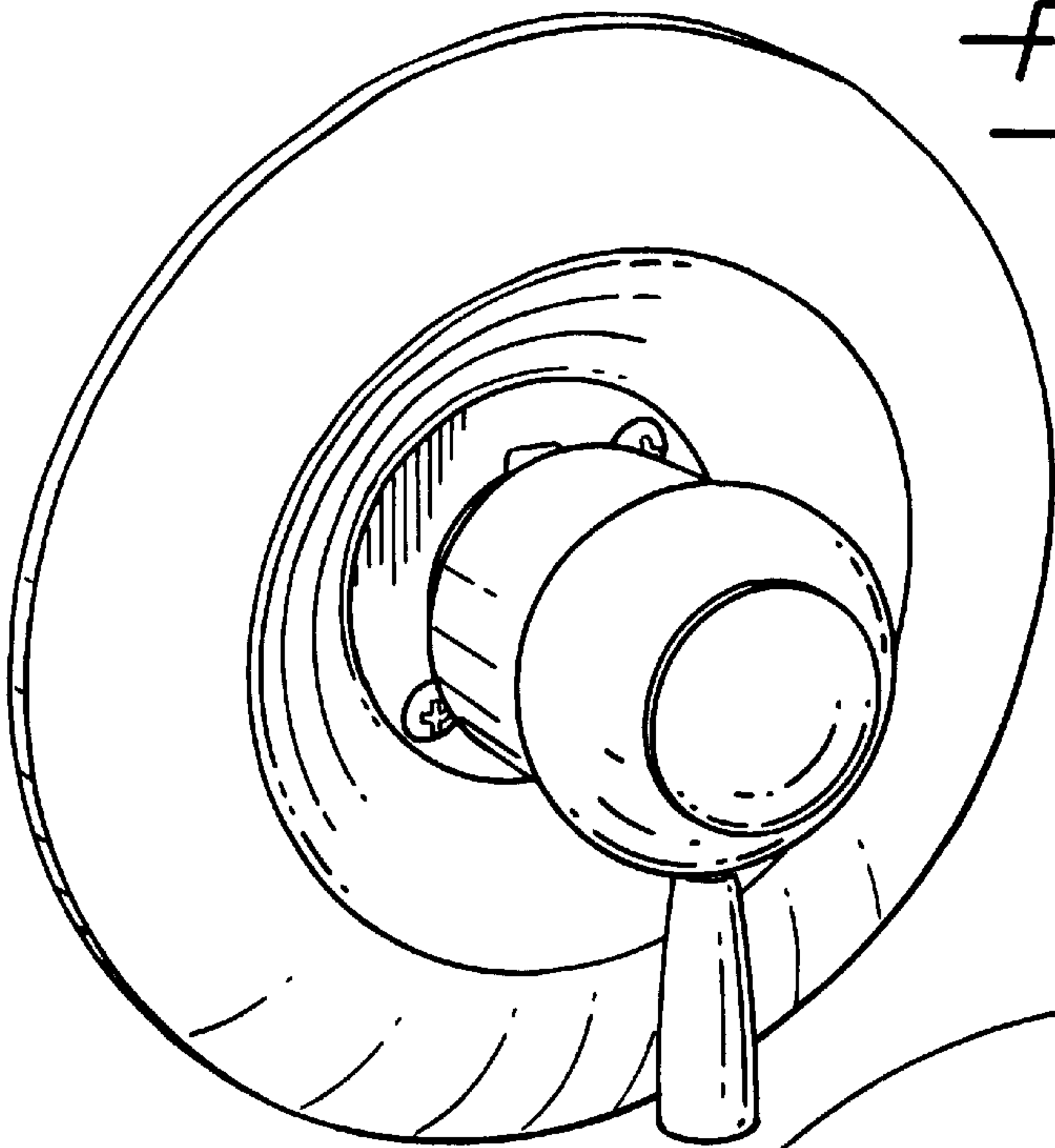


FIG. 1.

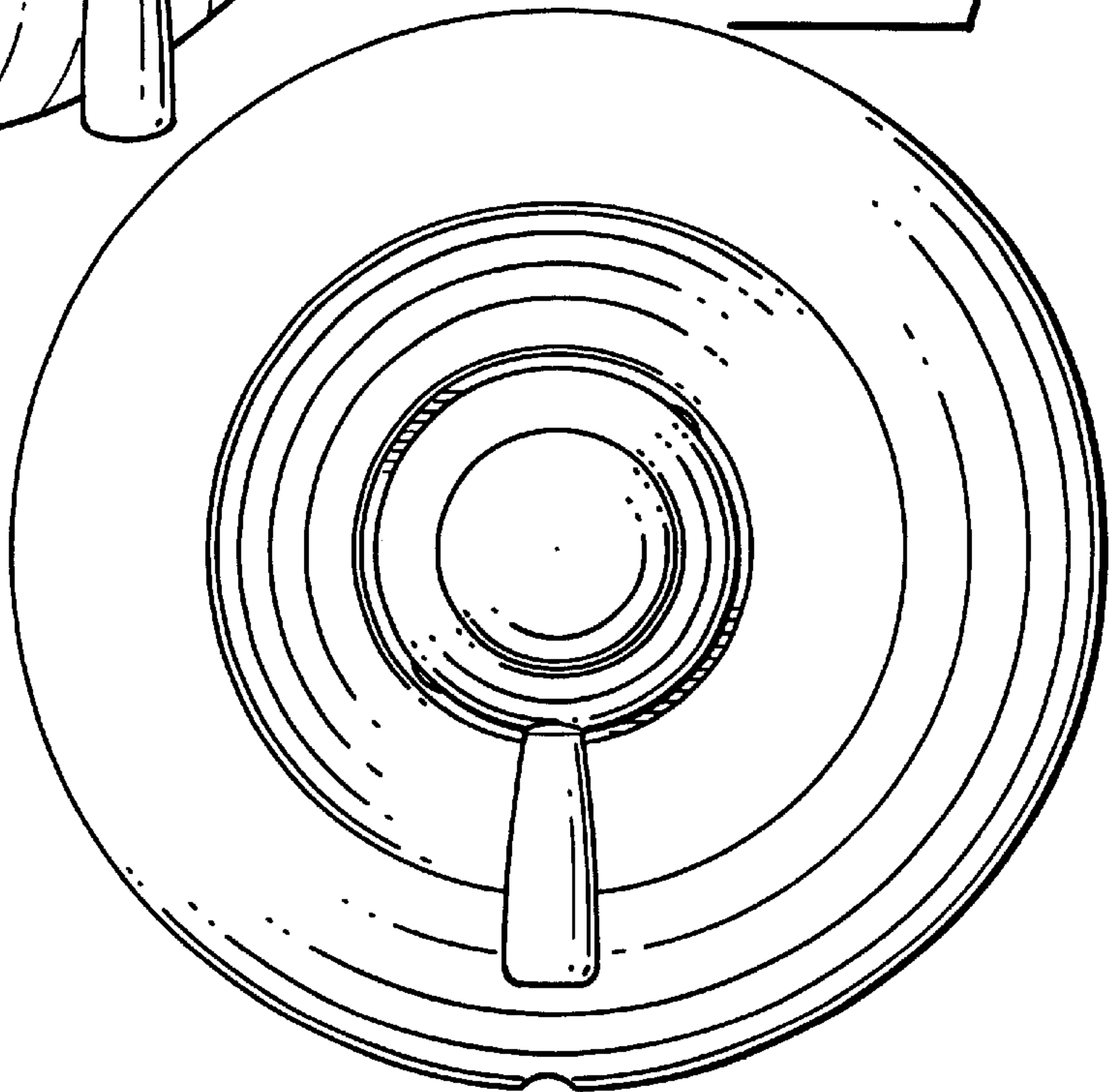


FIG. 2.

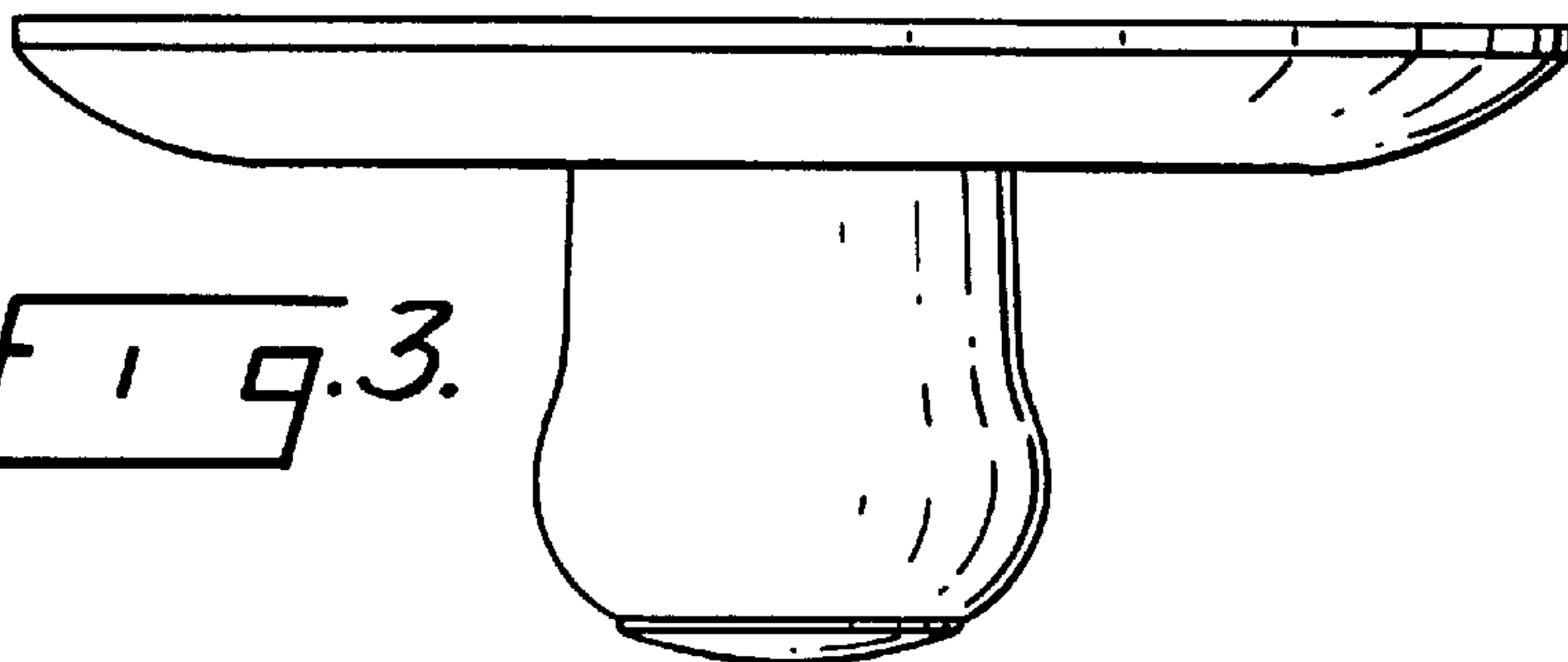


FIG. 3.

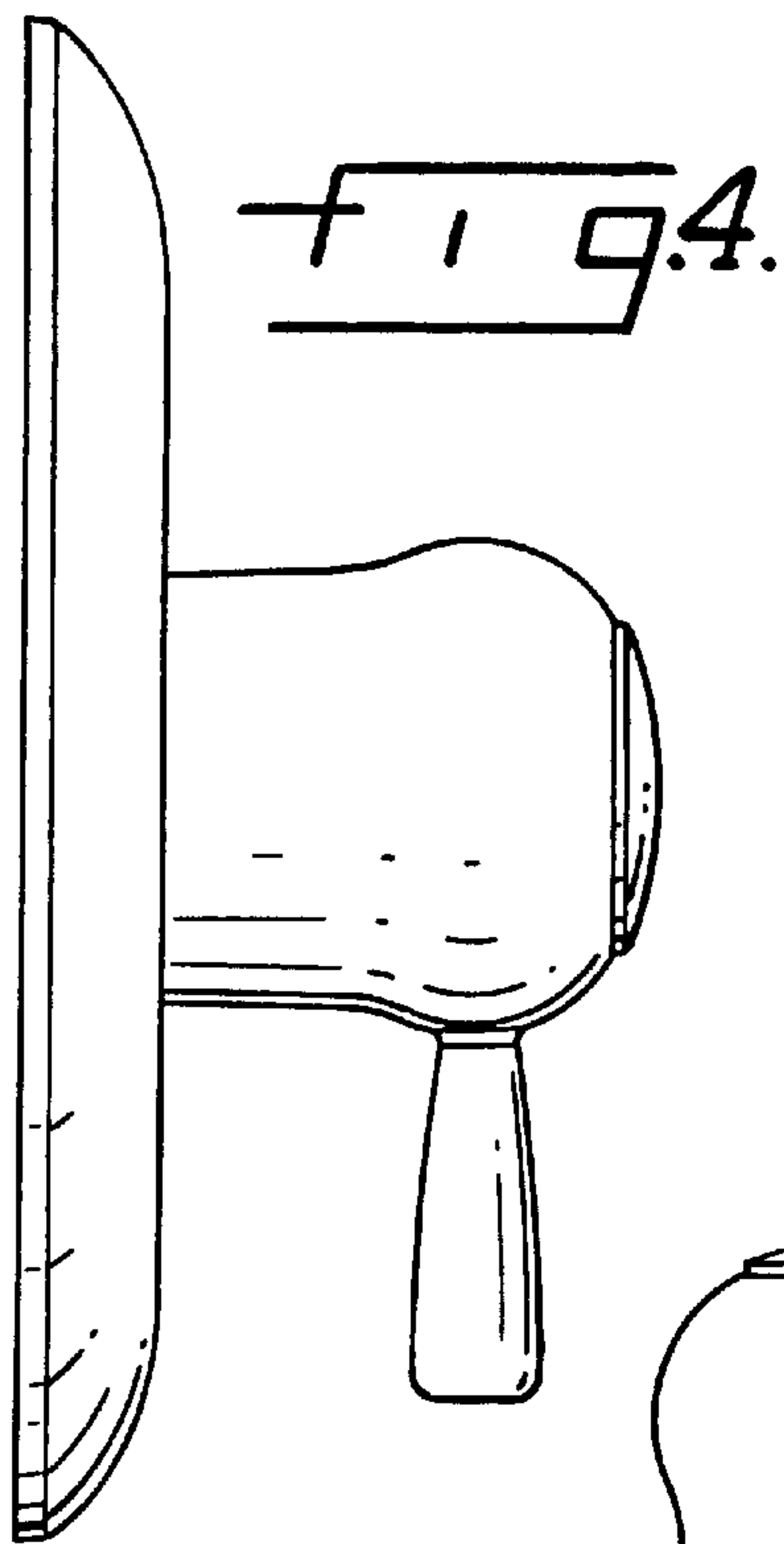


Fig. 4.

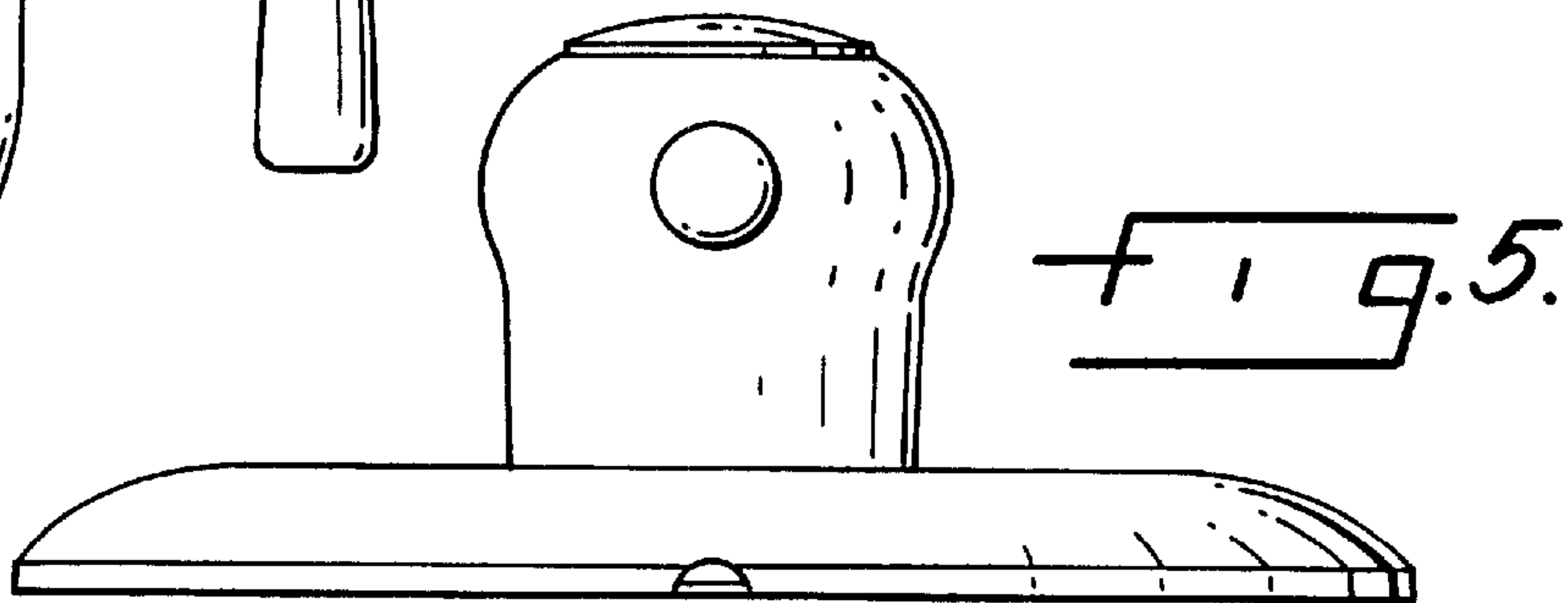


Fig. 5.

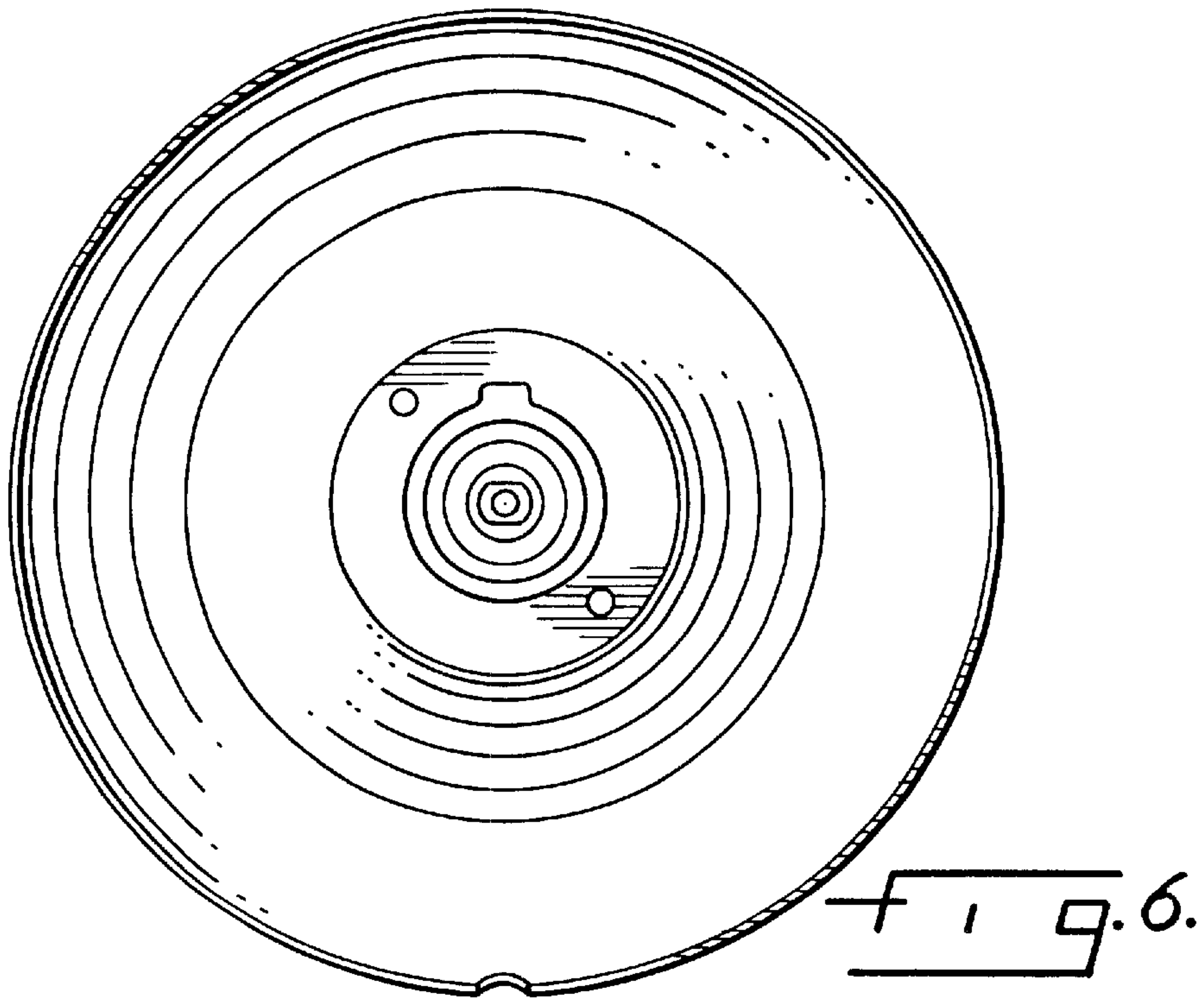


Fig. 6.