



US00D461877S

(12) **United States Design Patent**
Veltz

(10) **Patent No.:** **US D461,877 S**

(45) **Date of Patent:** **** Aug. 20, 2002**

(54) **LEVER HANDLE**

(75) Inventor: **Jason D. Veltz**, Dana Point, CA (US)

(73) Assignee: **Emhart LLC**, Newark, DE (US)

(**) Term: **14 Years**

(21) Appl. No.: **29/152,092**

(22) Filed: **Dec. 14, 2001**

(51) **LOC (7) Cl.** **23-01**

(52) **U.S. Cl.** **D23/252**

(58) **Field of Search** D23/238-245,
D23/249-257; D8/300-310, 350-354; 4/675-678;
16/110 R-121; 137/801

(56) **References Cited**

U.S. PATENT DOCUMENTS

D115,796 S	*	7/1939	Reinecke	D23/252
D177,796 S	*	5/1956	Collins	D23/250
D339,190 S	*	9/1993	Pieramico et al.	D23/252
D349,154 S	*	7/1994	Mark	D23/252

* cited by examiner

Primary Examiner—Louis S. Zarfes

Assistant Examiner—Gregory Andoll

(74) *Attorney, Agent, or Firm*—Richard J. Veltman; John D. Del Ponti

(57) **CLAIM**

The ornamental design for a lever handle, as shown and described.

DESCRIPTION

FIG. 1 is a perspective view of the new design for a lever handle;

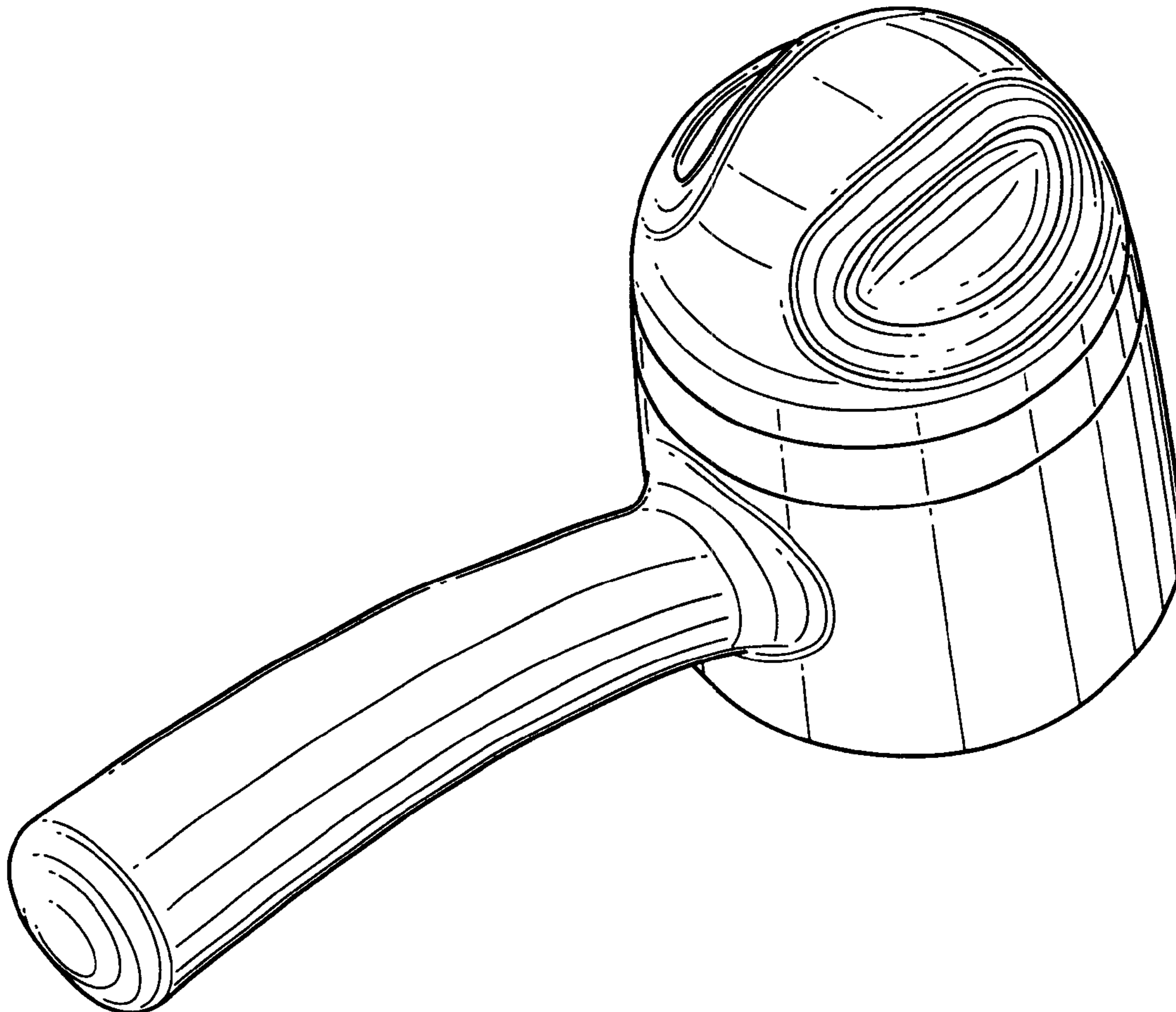
FIG. 2 is a right elevational view of the new design for a lever handle, the left elevational view being a mirror image; FIG. 3 is a top plan view of the new design for a lever handle;

FIG. 4 is a bottom plan view of the new design for a lever handle;

FIG. 5 is a front elevational view of the new design for a lever handle; and,

FIG. 6 is a rear elevational view of the new design for a lever handle.

1 Claim, 5 Drawing Sheets



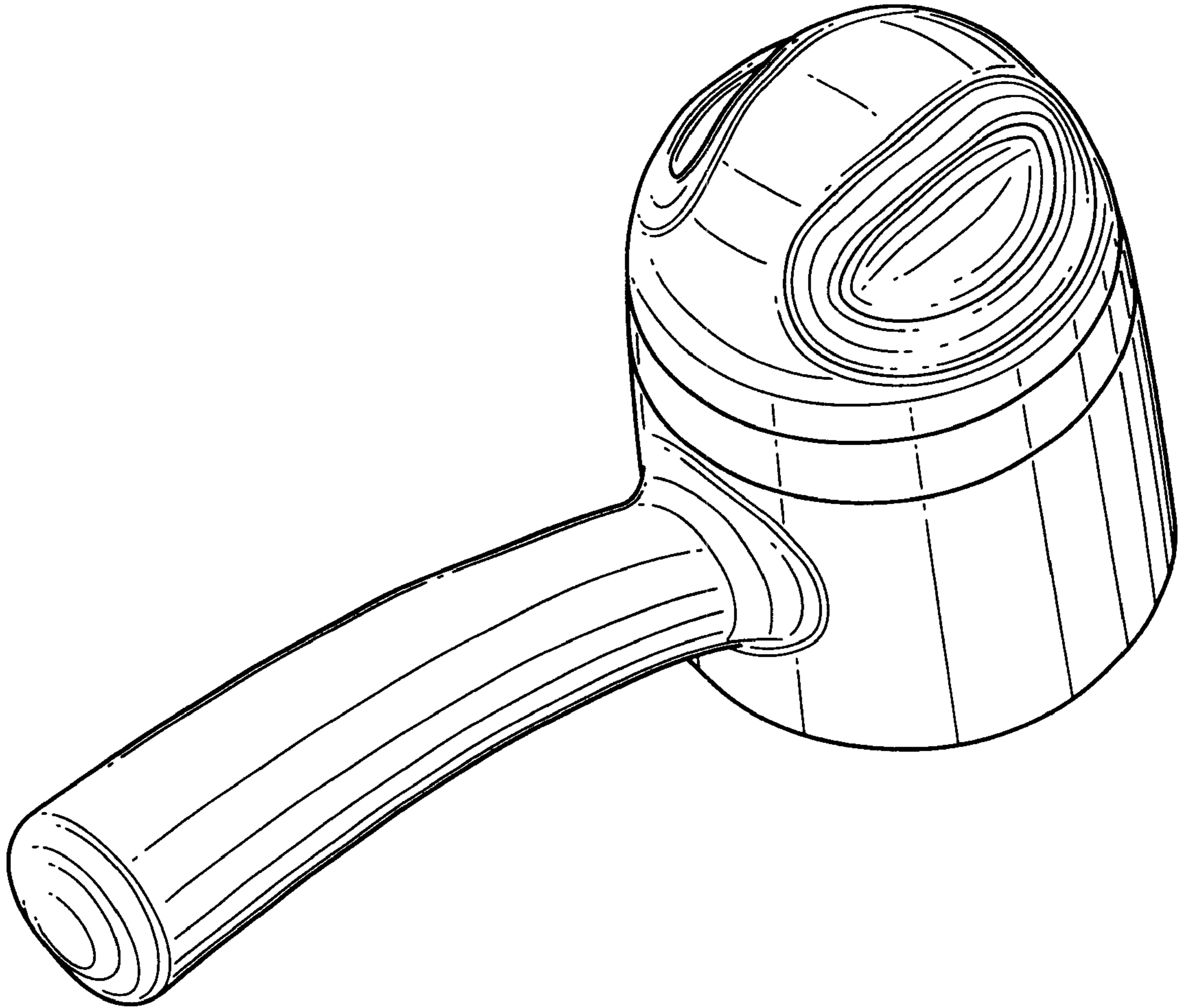


FIG. 1

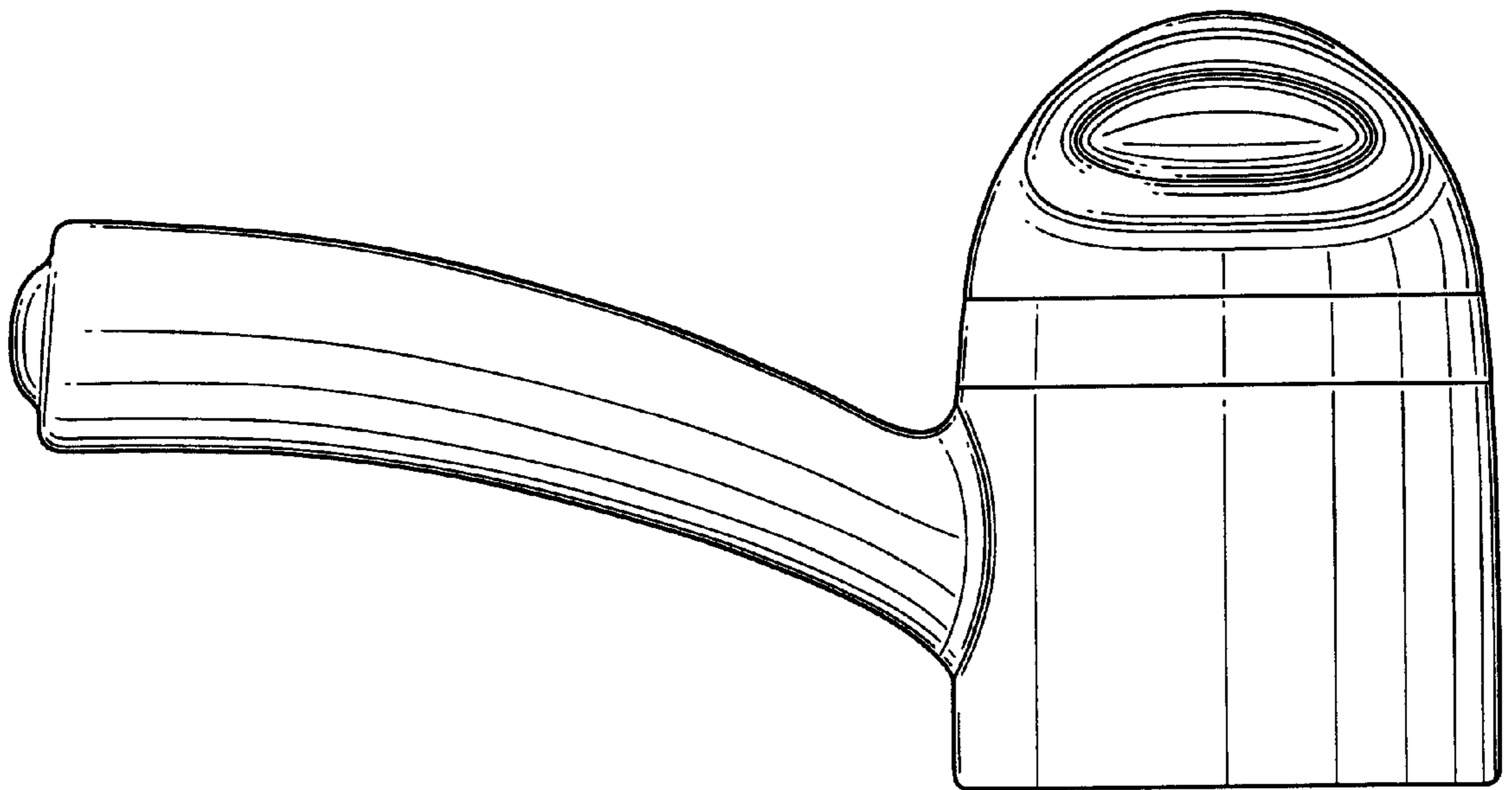


FIG. 2

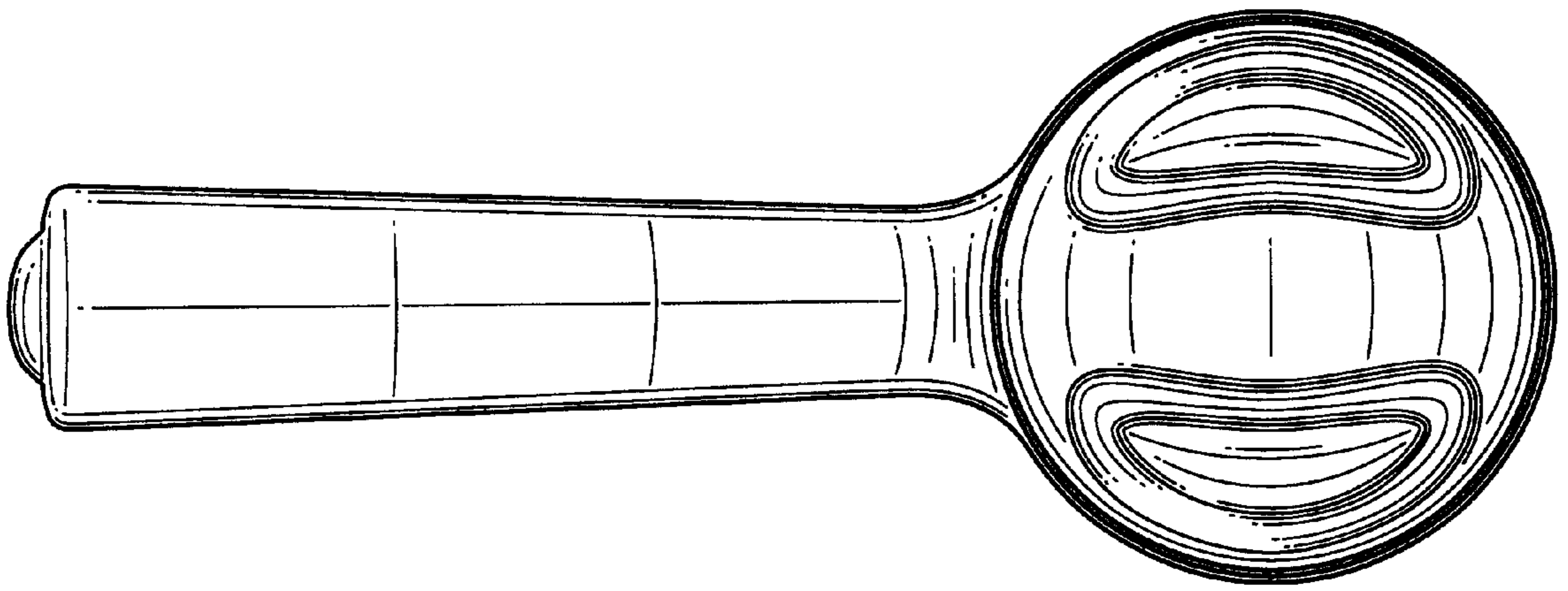


FIG. 3

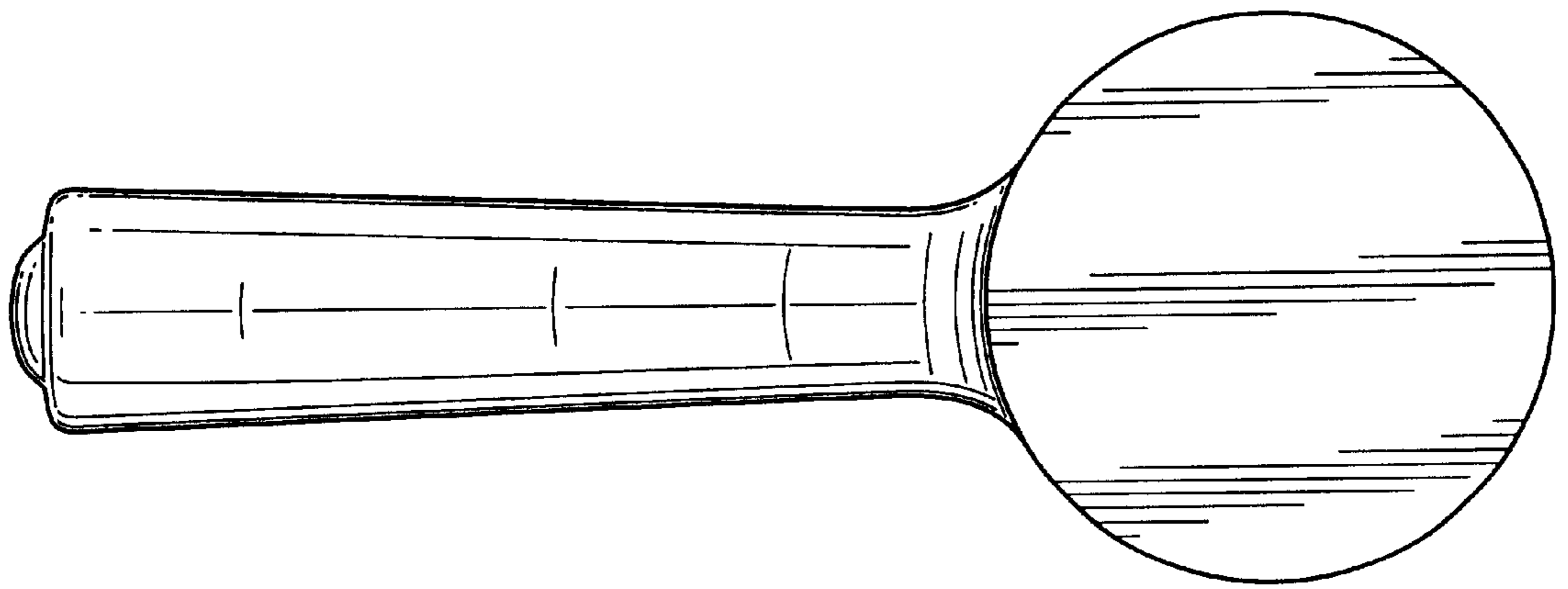


FIG. 4

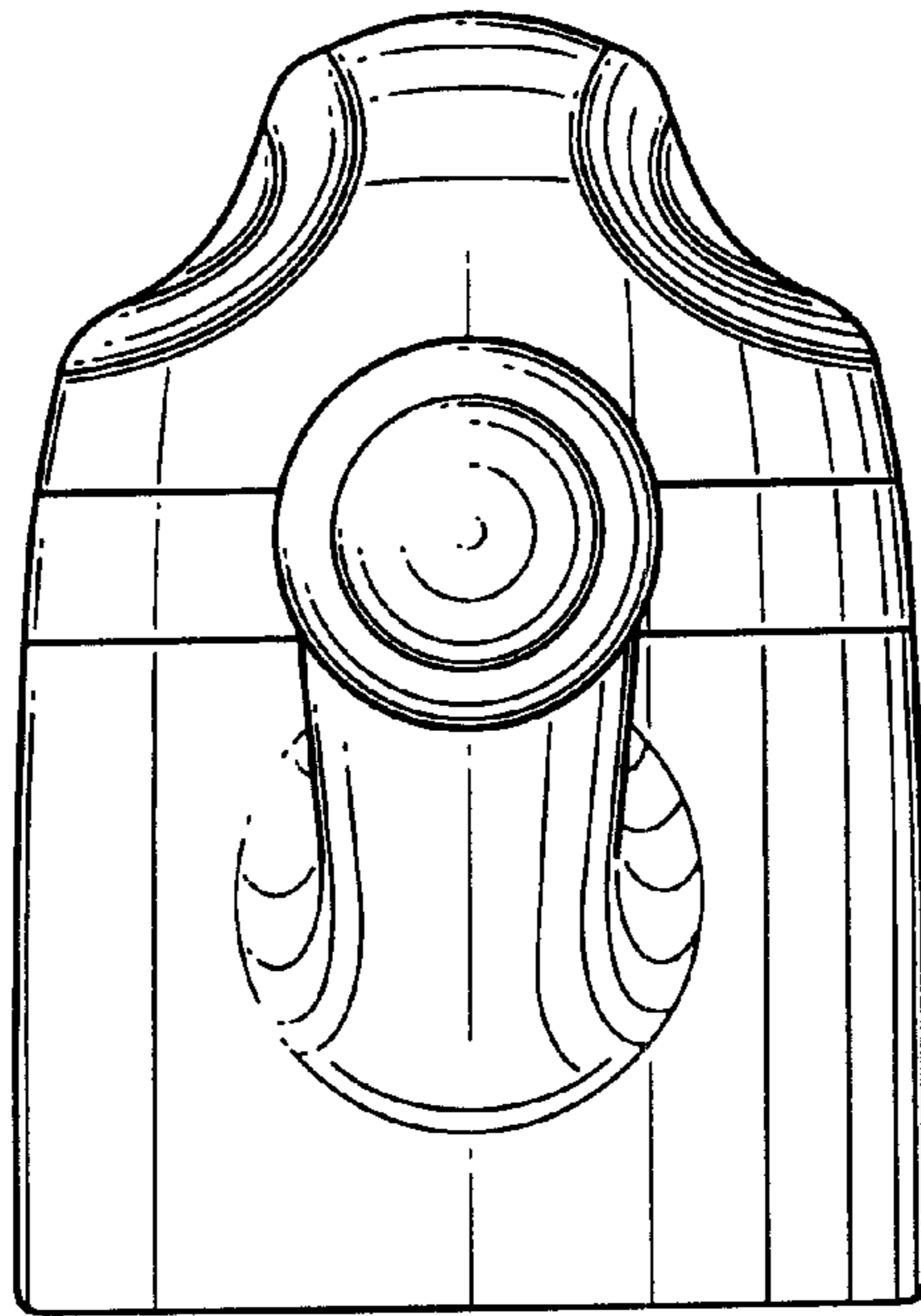


FIG. 5

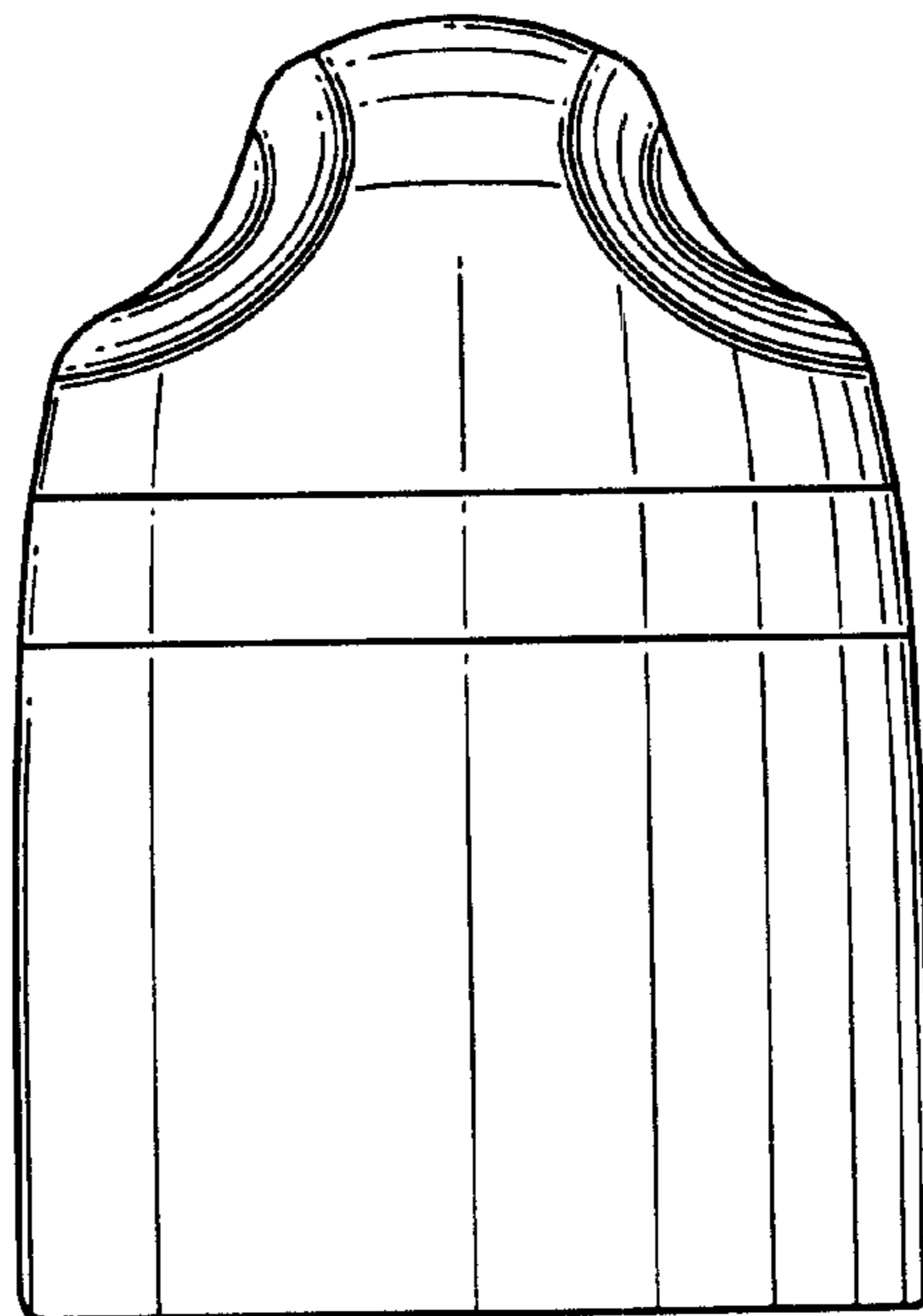


FIG. 6