



US00D461875S

(12) **United States Design Patent**
Gottwald

(10) **Patent No.:** **US D461,875 S**

(45) **Date of Patent:** **** Aug. 20, 2002**

(54) **SINK FAUCET**

(75) **Inventor:** **Adolf Gottwald, Iserlohn (DE)**

(73) **Assignee:** **Friedrich Grohe AG & Co. KG,**
Hemer (DE)

(**) **Term:** **14 Years**

(21) **Appl. No.:** **29/141,947**

(22) **Filed:** **May 16, 2001**

(30) **Foreign Application Priority Data**

Dec. 6, 2000 (DE) 4 00 11 368

(51) **LOC (7) Cl.** **23-01**

(52) **U.S. Cl.** **D23/238**

(58) **Field of Search** **D23/238-257;**
4/675-678; 137/801

(56) **References Cited**

U.S. PATENT DOCUMENTS

- D344,127 S * 2/1994 Carr et al. D23/238
- D344,324 S * 2/1994 Mattis D23/238
- D390,919 S * 2/1998 Lobermeier D23/238

- D392,025 S * 3/1998 Doughty et al. D23/238
- D404,465 S * 1/1999 Ko D23/238
- D406,877 S * 3/1999 Esche et al. D23/243
- D420,430 S * 2/2000 Lobermeier D23/238
- D421,291 S * 2/2000 Fabian et al. D23/243

* cited by examiner

Primary Examiner—Louis S. Zarfes

Assistant Examiner—Gregory Andoll

(74) *Attorney, Agent, or Firm*—Herbert Dubno

(57) **CLAIM**

The ornamental design for a sink faucet, as shown and described.

DESCRIPTION

FIG. 1 is a top, front, left-side perspective view of a sink faucet showing my new design;
 FIG. 2 is a left side elevational view thereof, the right side view being mirror symmetrical thereto;
 FIG. 3 is a front elevational view thereof;
 FIG. 4 is a rear elevational view thereof;
 FIG. 5 is a top plan view thereof; and,
 FIG. 6 is a bottom plan view thereof.

1 Claim, 4 Drawing Sheets

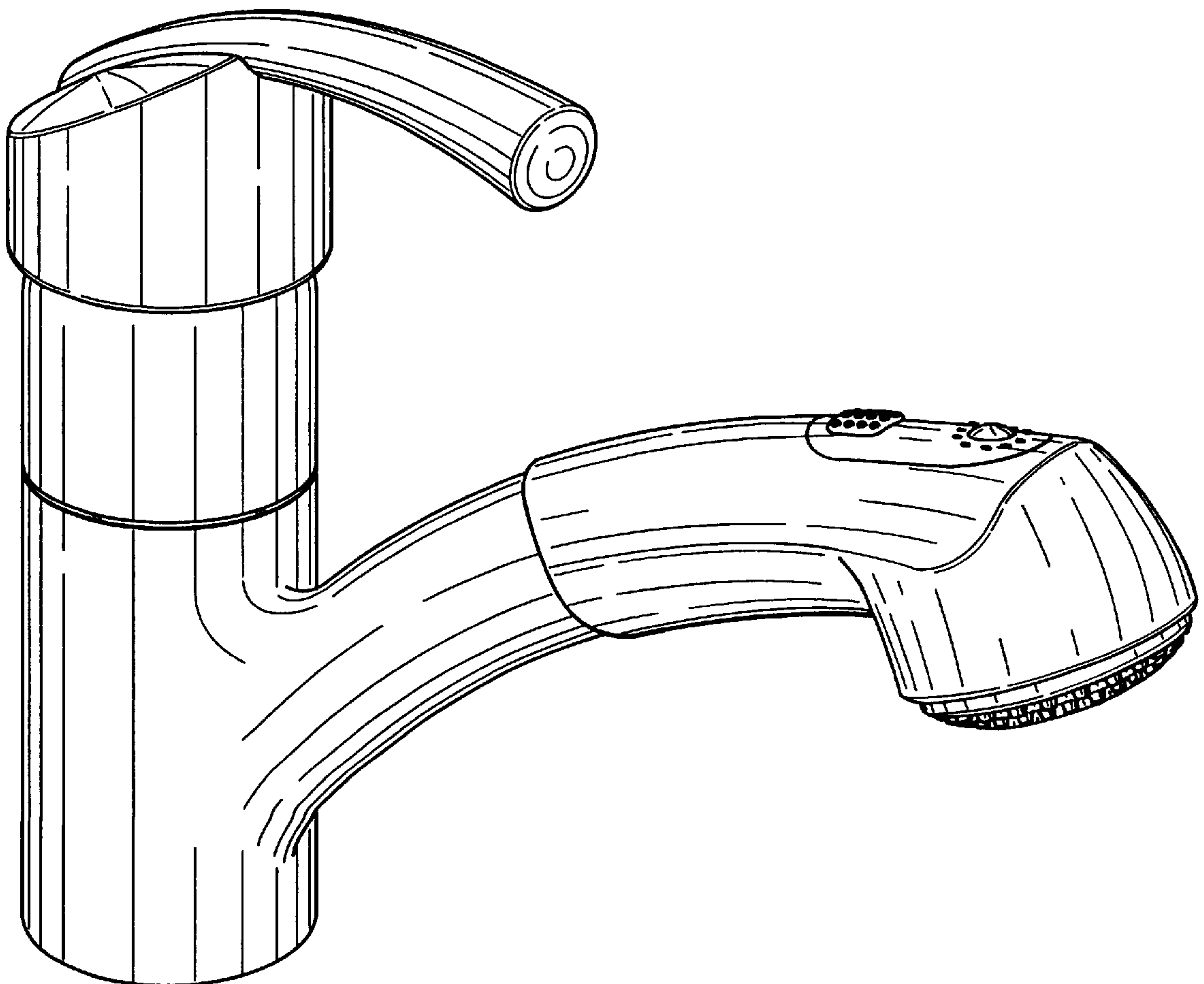
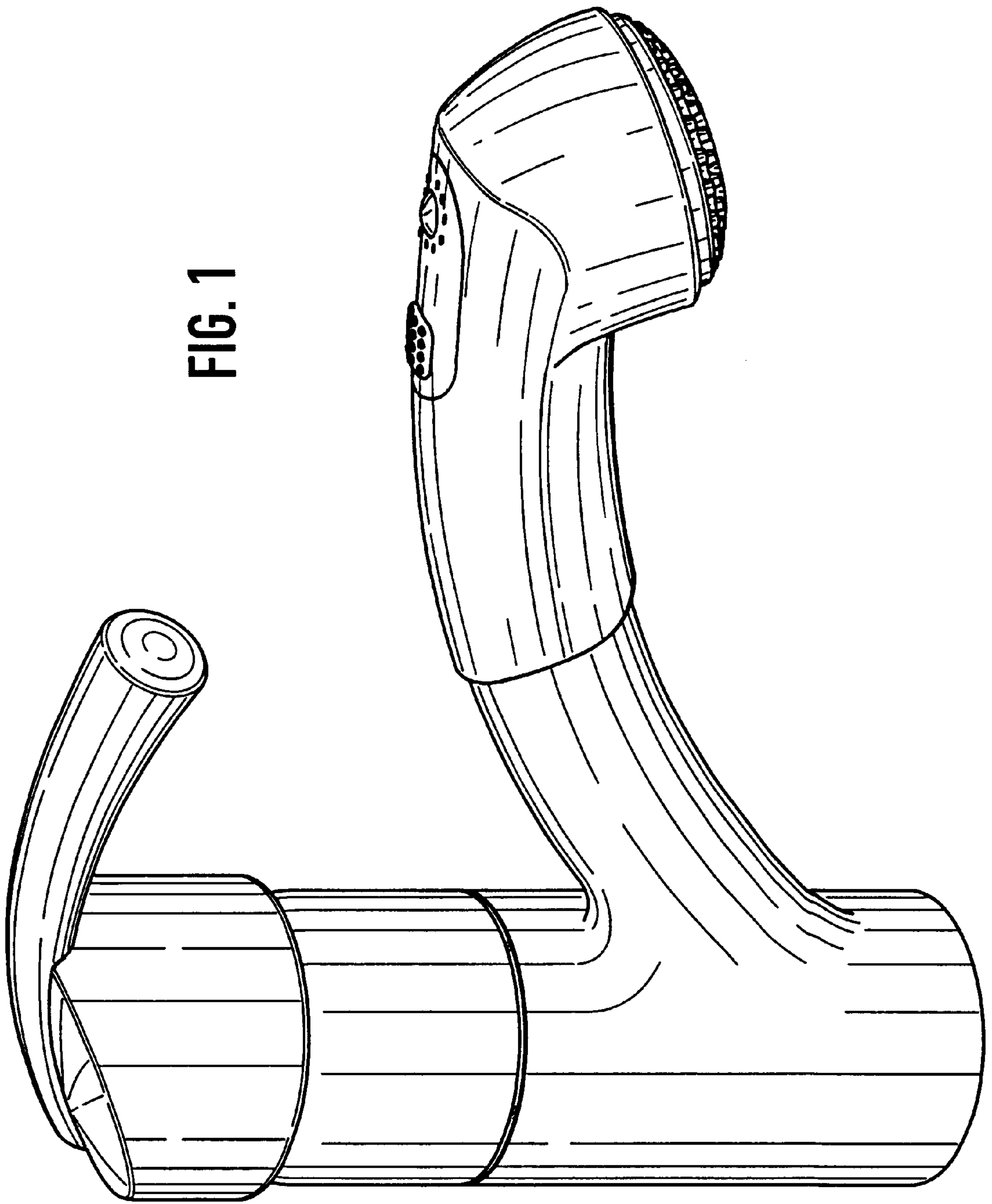


FIG. 1



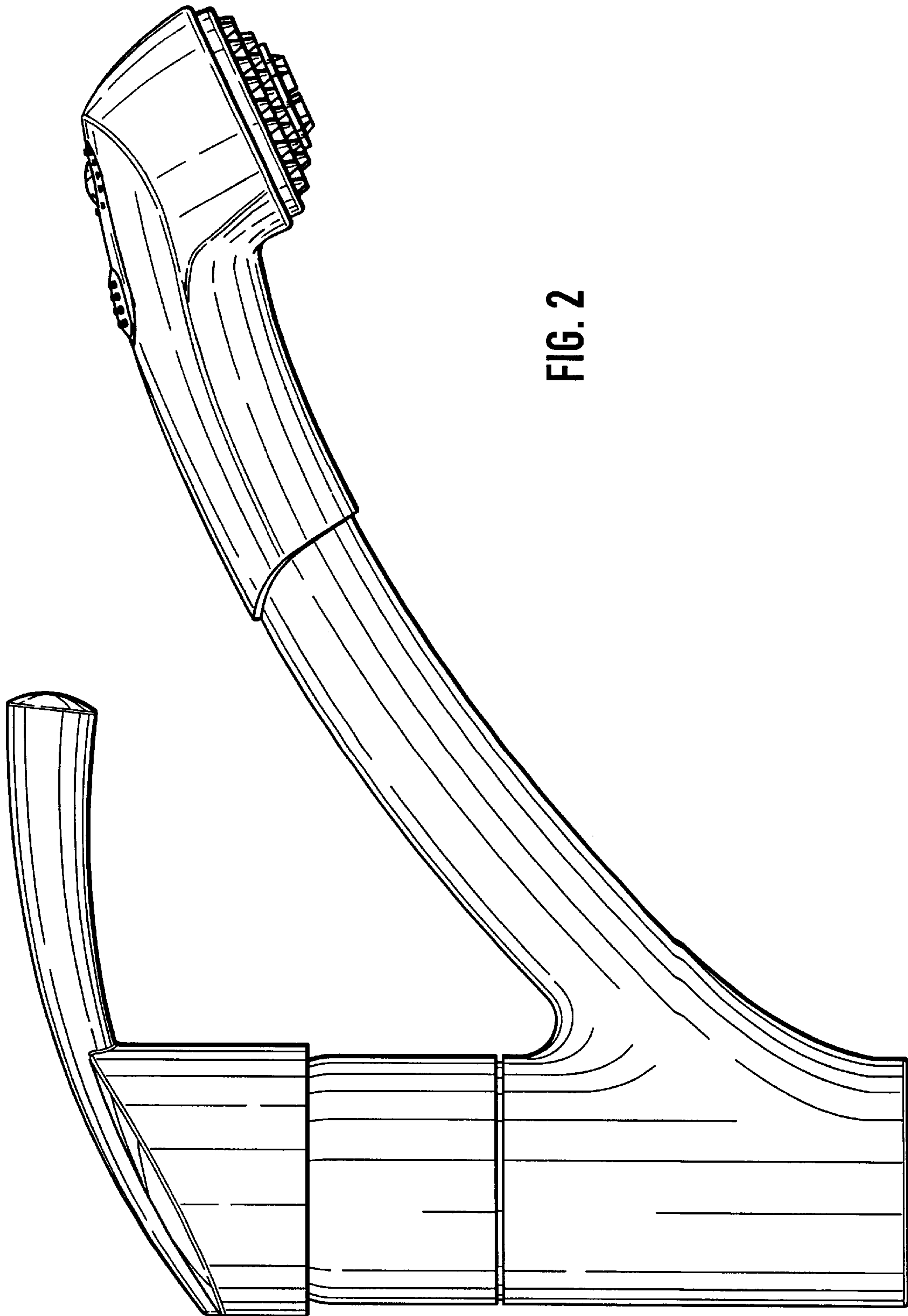


FIG. 2

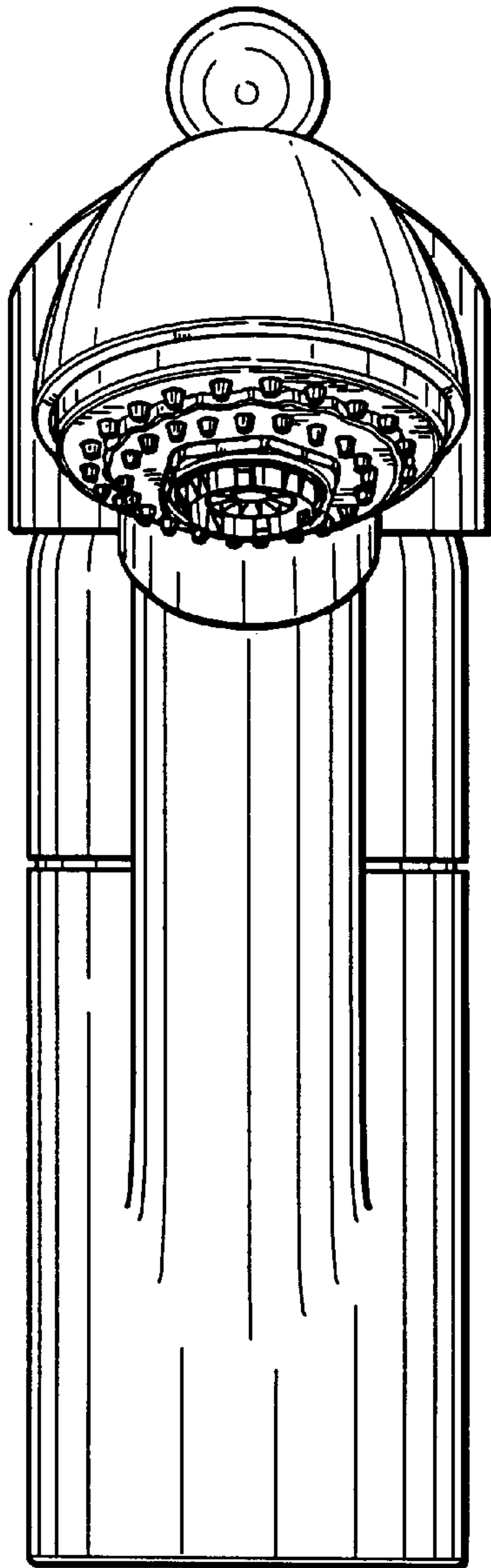


FIG. 3

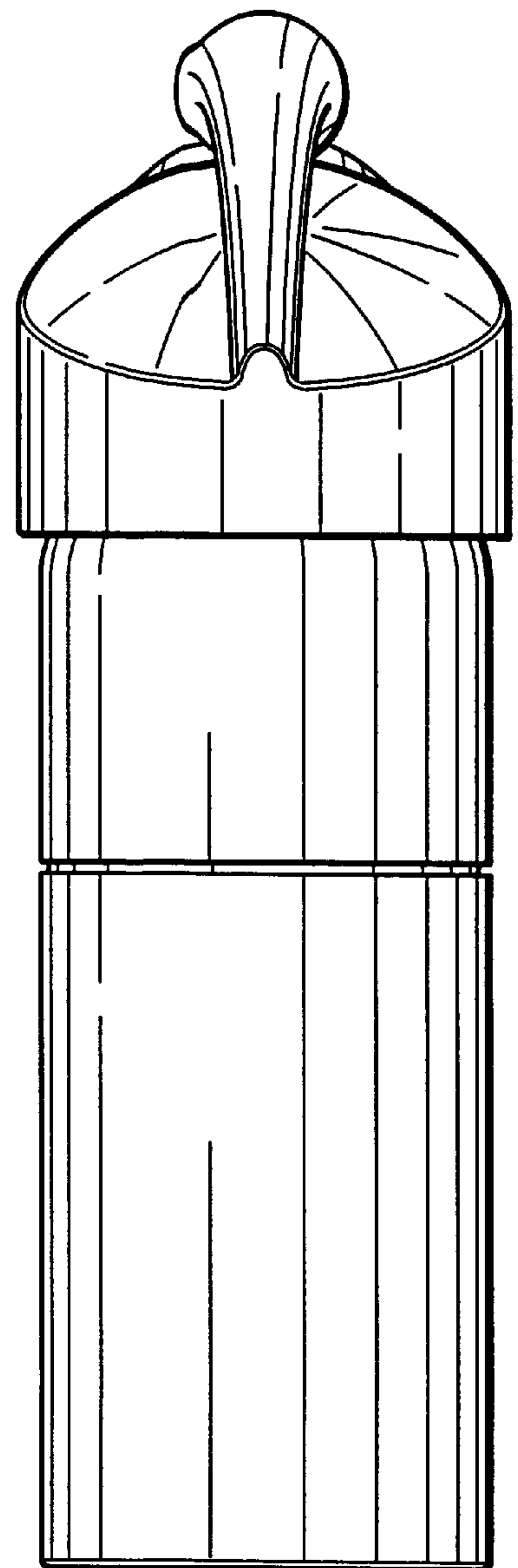


FIG. 4

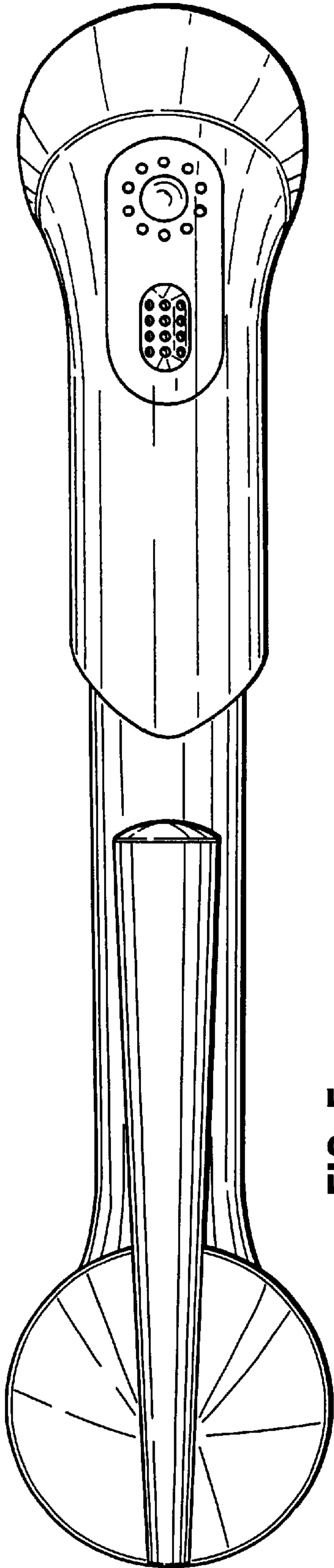


FIG. 5

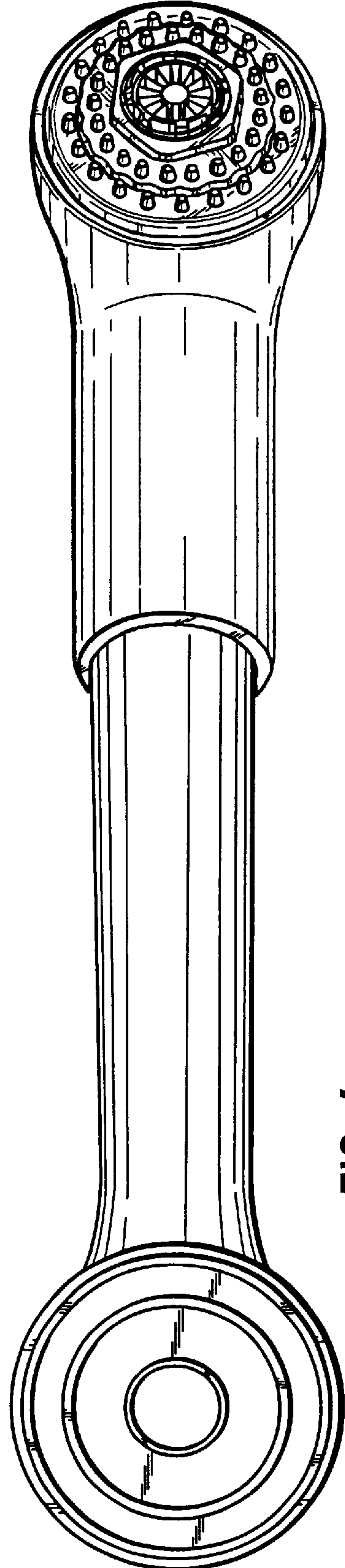


FIG. 6