



US00D461873S

(12) **United States Design Patent**  
**Myran et al.**

(10) **Patent No.:** **US D461,873 S**

(45) **Date of Patent:** **\*\* Aug. 20, 2002**

(54) **ACTUATOR**

(75) Inventors: **Arne Myran**, Vanvikan; **Marta Røstad**, Leksvik; **Morten Saurstrø**, Vanvikan, all of (NO)

(73) Assignee: **Lyng Motor AS**, Vanvikan (NO)

(\*\*) Term: **14 Years**

(21) Appl. No.: **29/136,954**

(22) Filed: **Feb. 9, 2001**

(30) **Foreign Application Priority Data**

Aug. 9, 2000 (NO) ..... 000517  
Aug. 9, 2000 (NO) ..... 000518

(51) **LOC (7) Cl.** ..... **23-01**

(52) **U.S. Cl.** ..... **D23/233**

(58) **Field of Search** ..... D23/233, 235;  
137/554, 556; 251/31, 250

(56) **References Cited**

**U.S. PATENT DOCUMENTS**

D238,980 S \* 2/1976 Callskum ..... D23/233  
D322,657 S \* 12/1991 Aarthun et al. .... D23/233  
D363,761 S \* 10/1995 Eggleston et al. .... D23/233  
6,173,740 B1 \* 1/2001 Marinoni et al. .... 137/554

\* cited by examiner

*Primary Examiner*—Antoine Duval Davis  
(74) *Attorney, Agent, or Firm*—Wenderoth, Lind & Ponack, L.L.P.

(57) **CLAIM**

The ornamental design for an actuator, as shown.

**DESCRIPTION**

FIG. 1 is a perspective view as seen from the rear and top sides of a first embodiment of an actuator (Actuator I—VA 200) according to the present invention.

FIG. 2 is a perspective view as seen from the front, left and bottom sides of the actuator according to the first embodiment of the present invention.

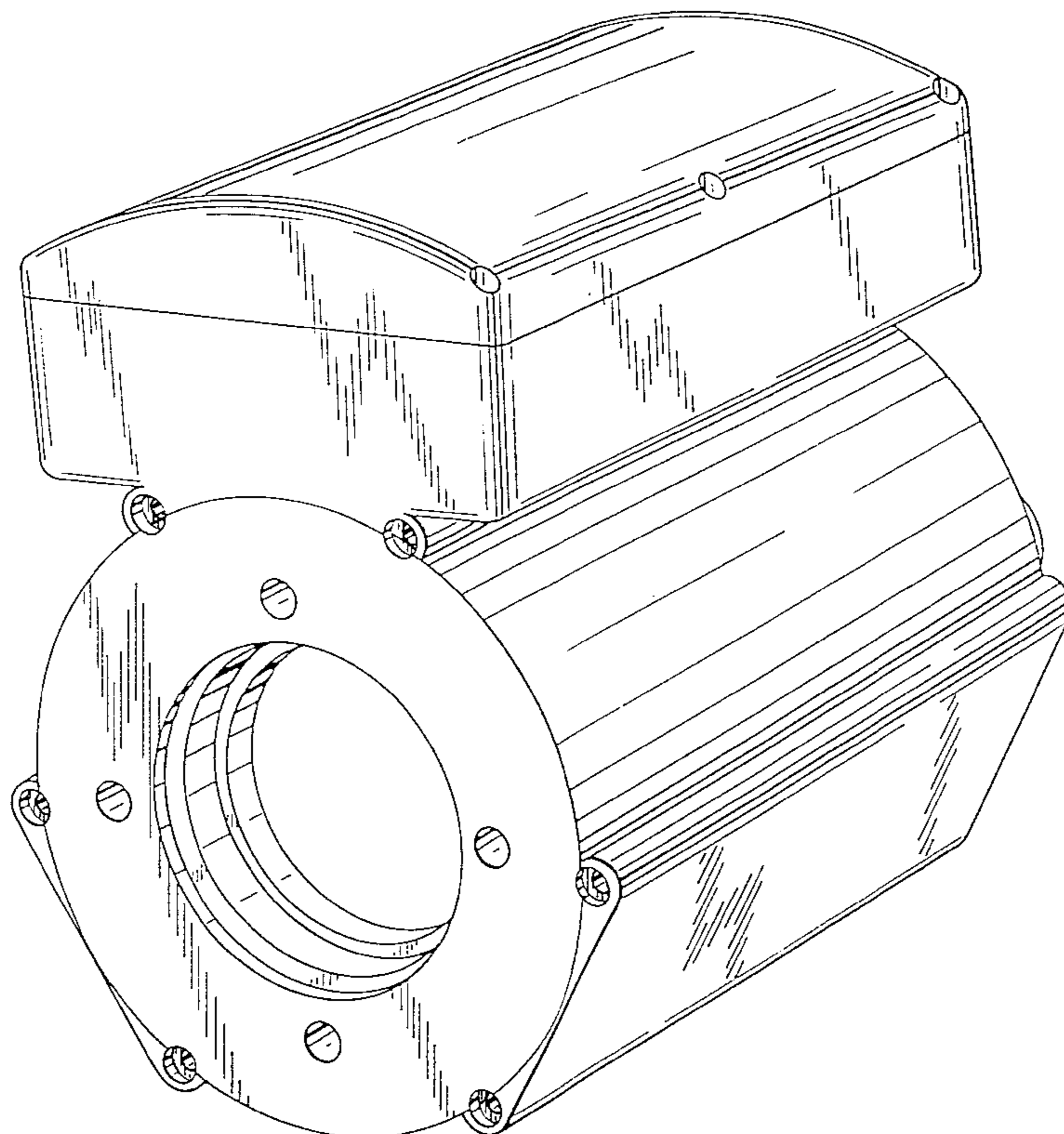
FIG. 3 is a perspective view as seen from front and right side of the actuator according to the first embodiment of the present invention.

FIG. 4 is a perspective view as seen from the rear and top sides of a second embodiment of an actuator (Actuator II—VA 500) according to the present invention.

FIG. 5 is a perspective view as seen from the front, left and bottom sides of the second embodiment of the actuator according to the present invention; and,

FIG. 6 is a perspective view as seen from front and right sides of the second embodiment of the actuator according to the present invention.

**1 Claim, 6 Drawing Sheets**



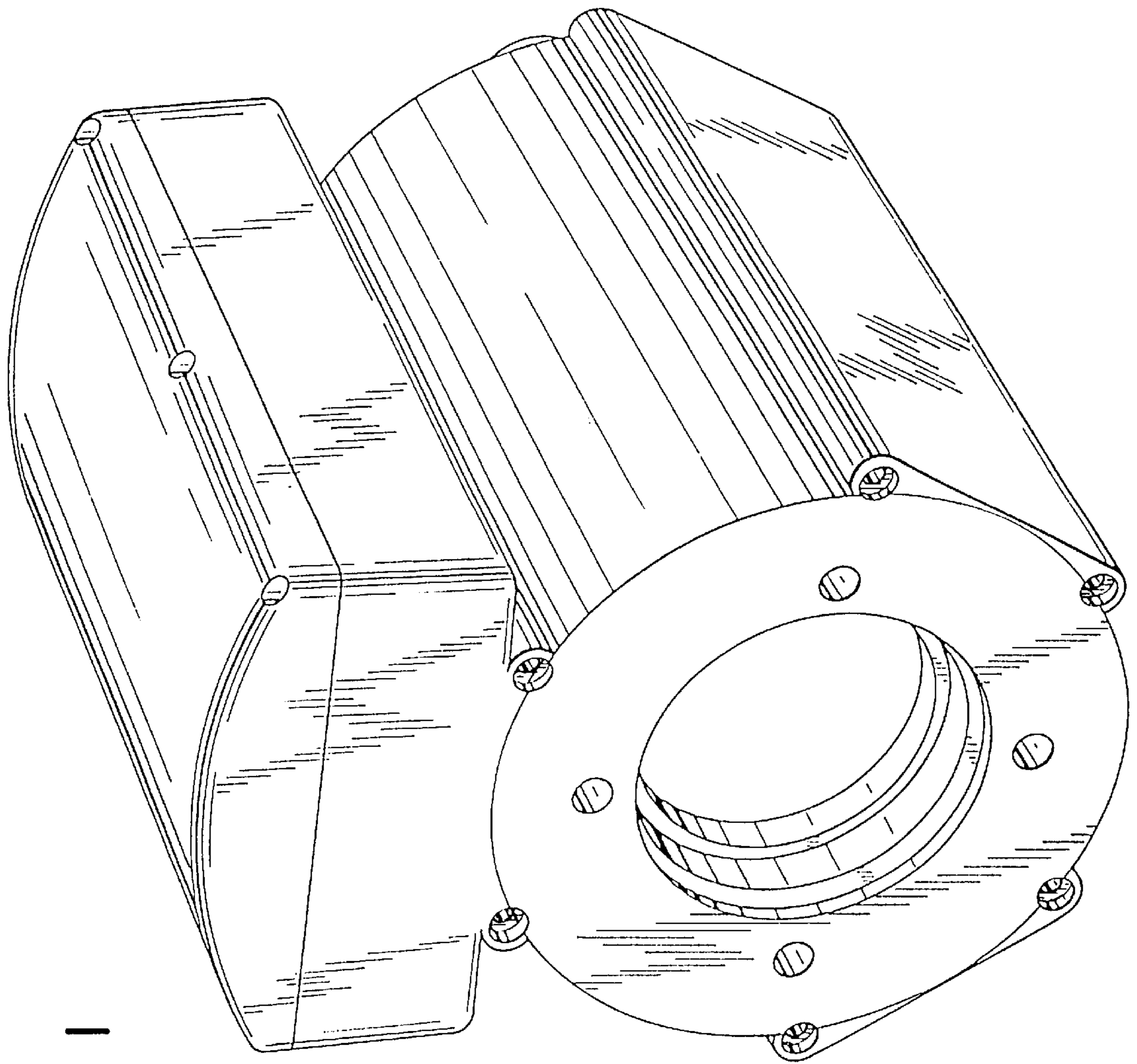


FIG. 1

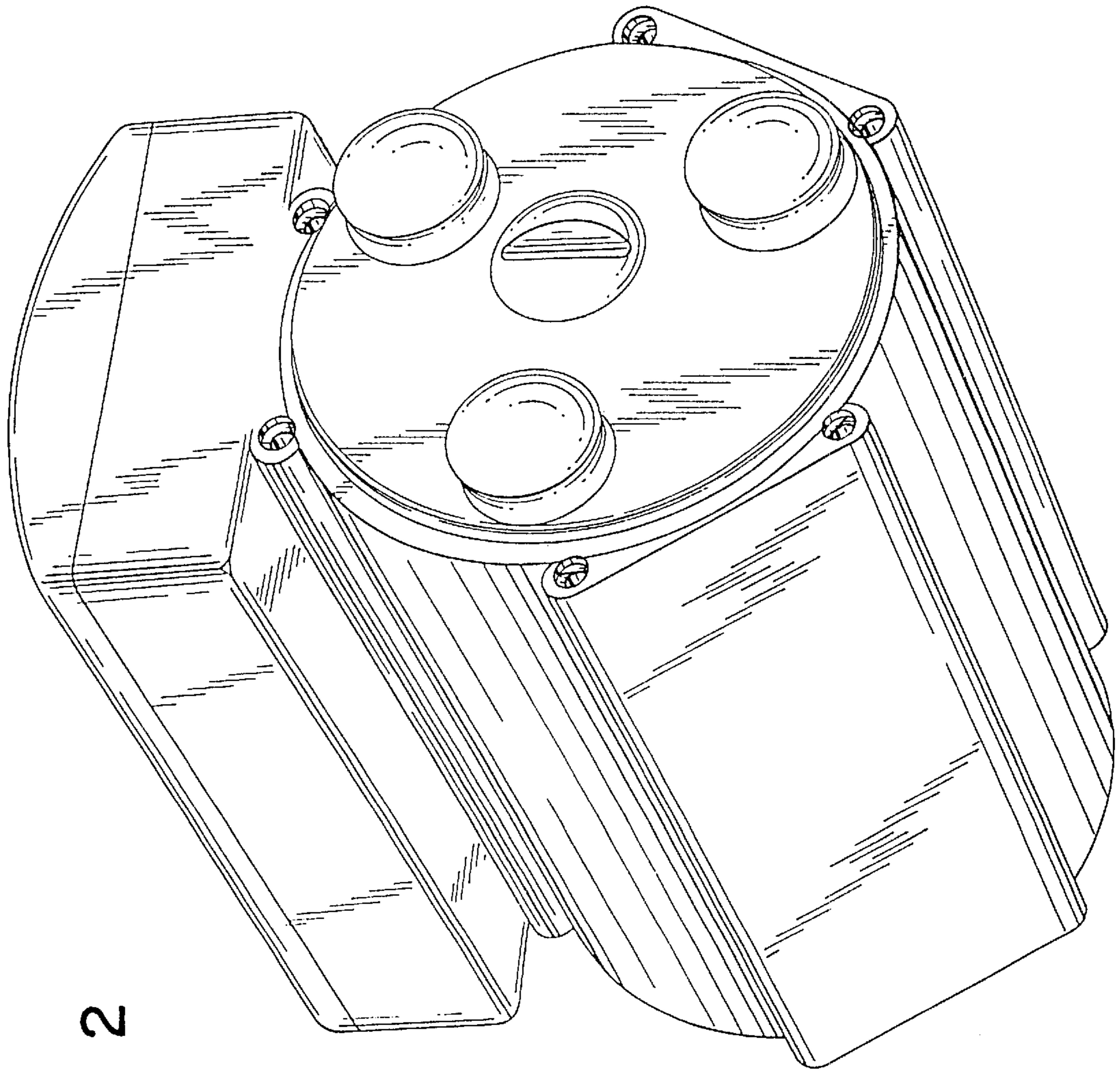


FIG. 2

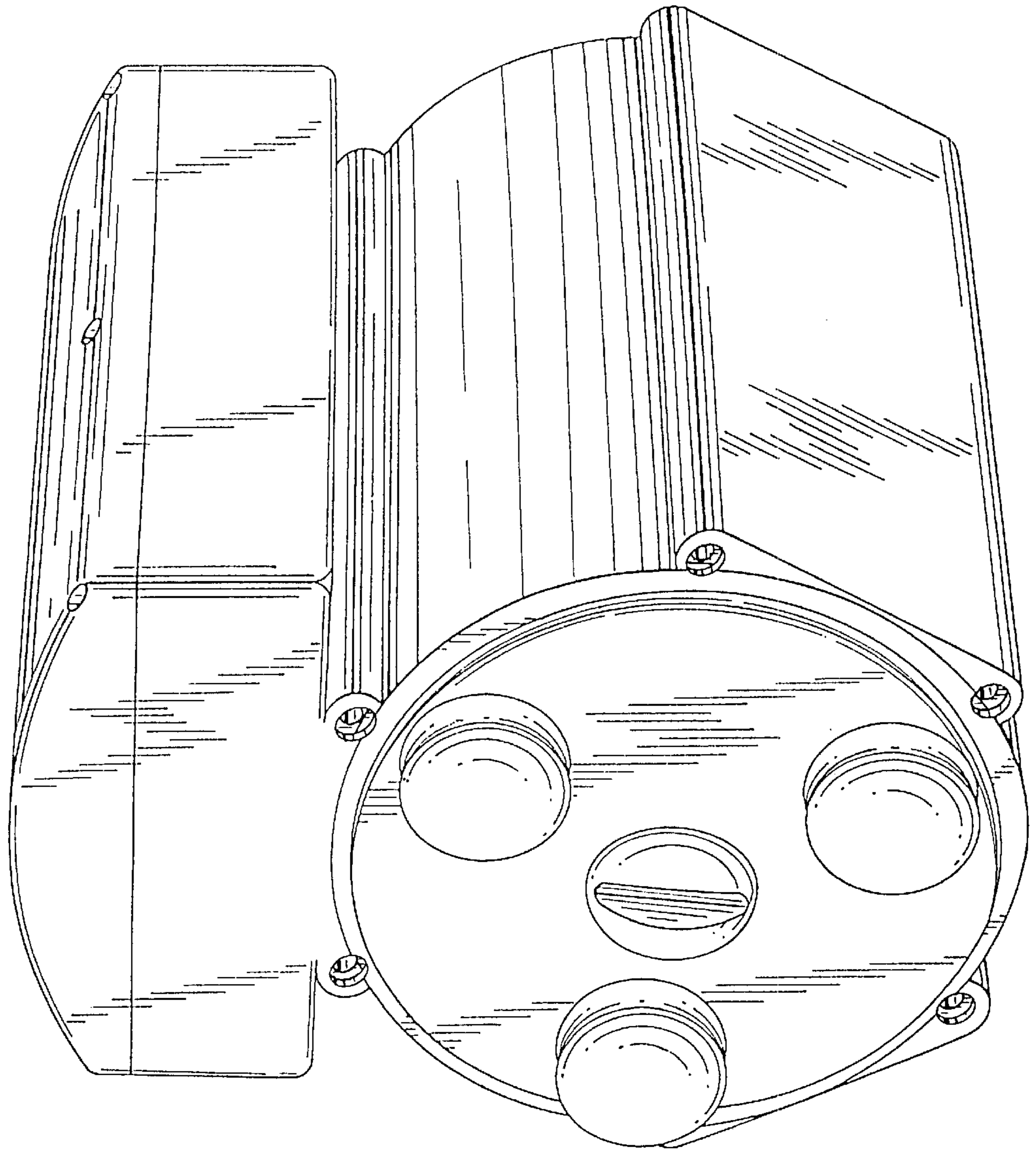


FIG. 3

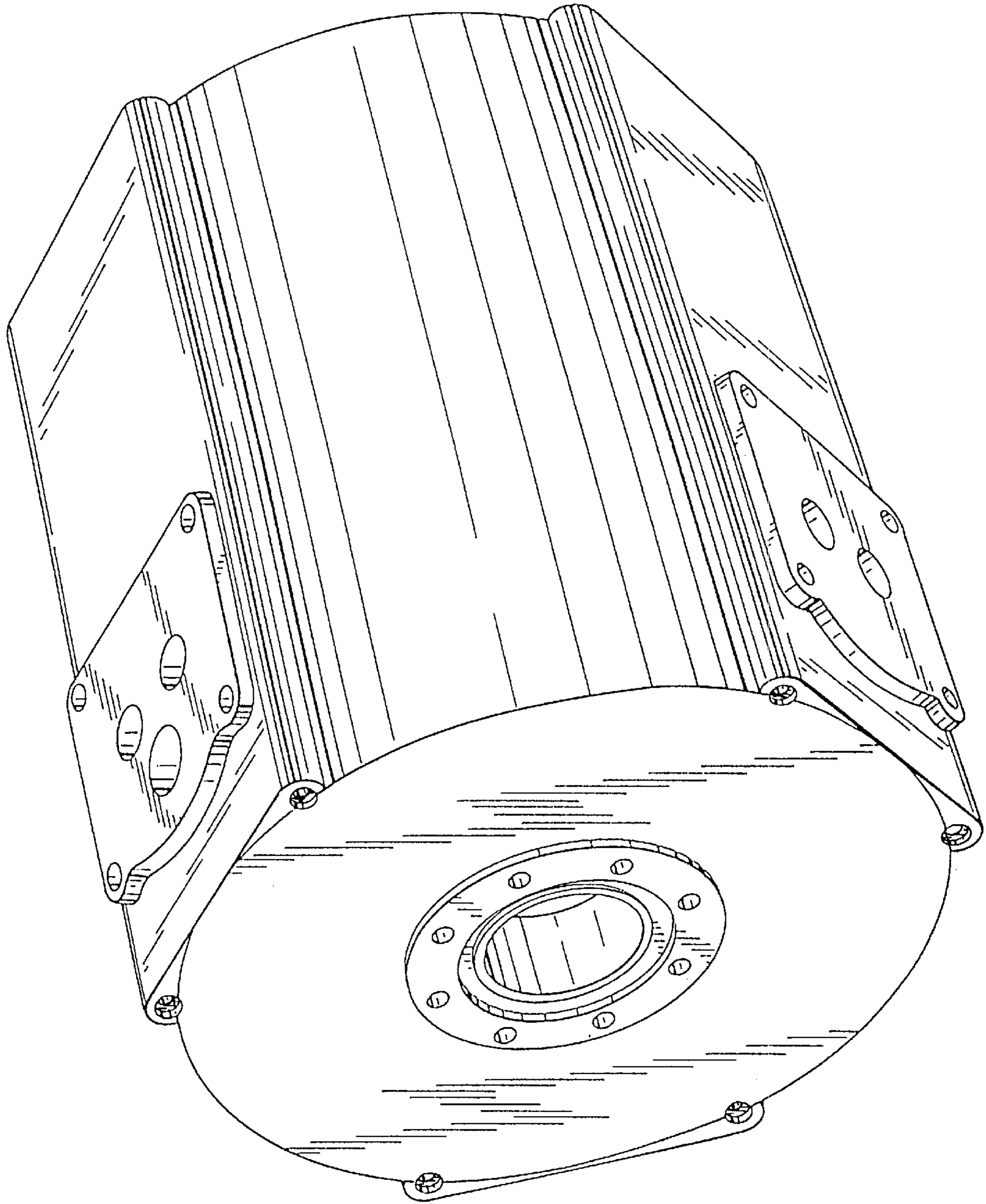


FIG. 4

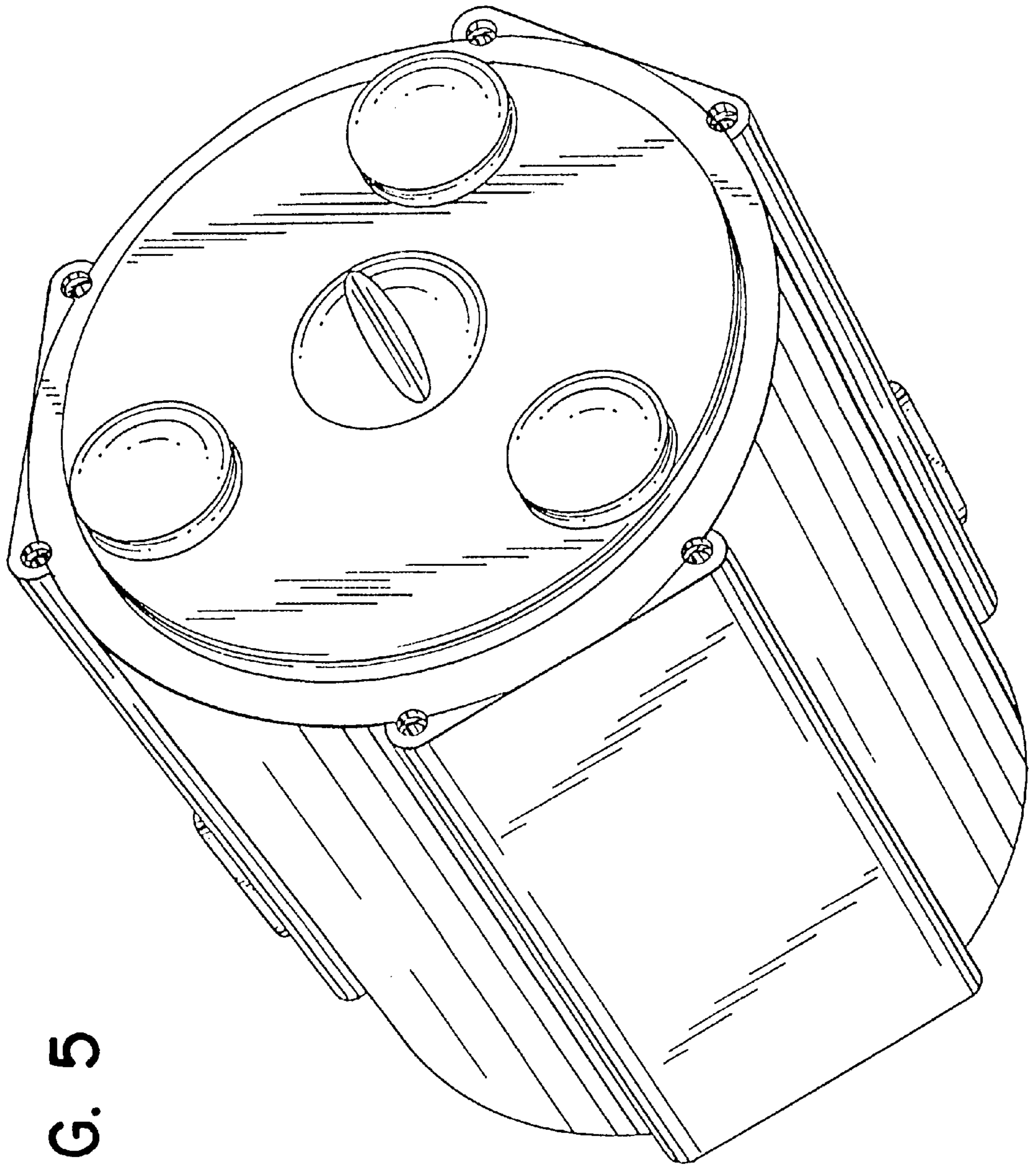


FIG. 5

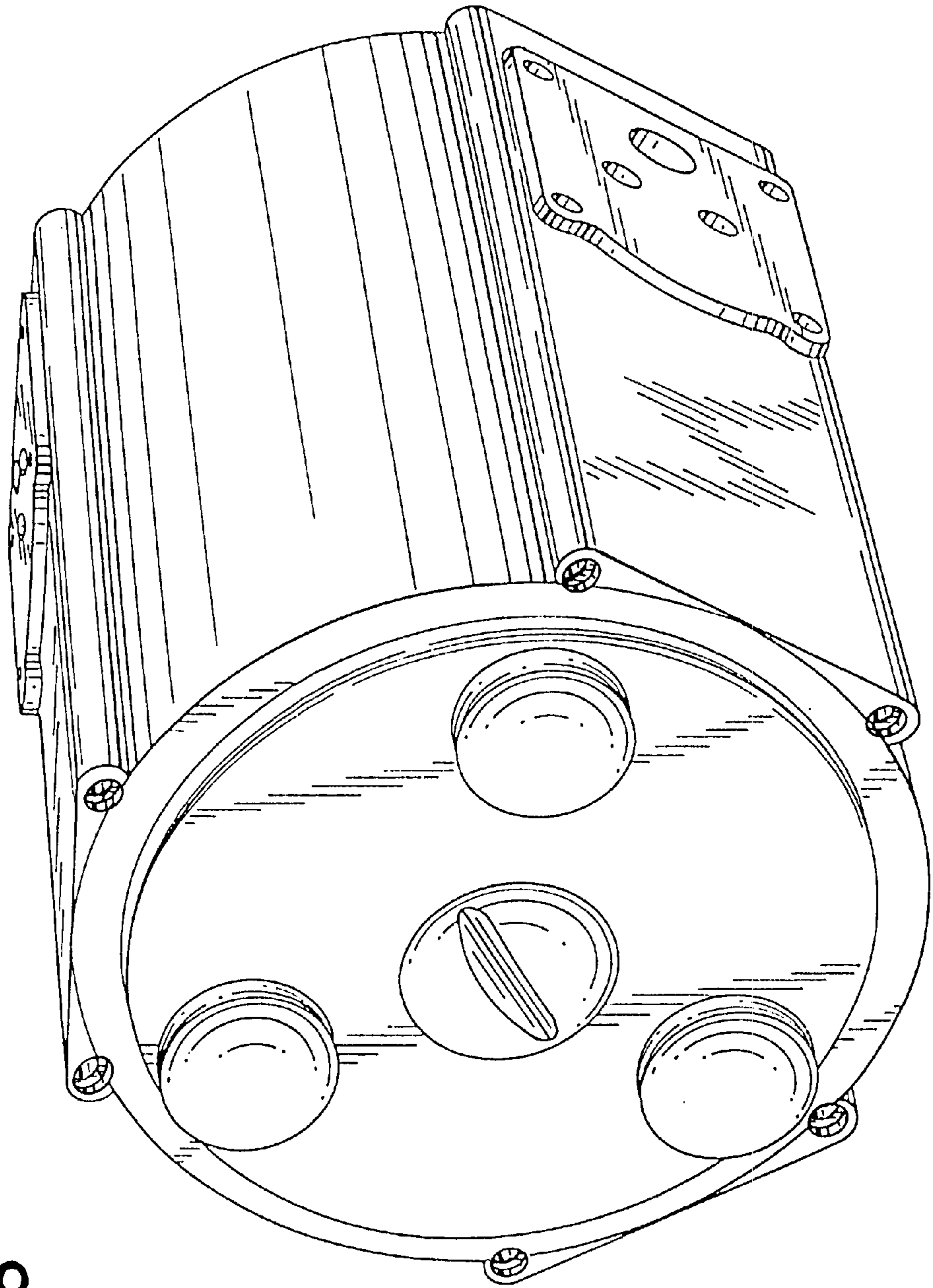


FIG. 6