



US00D461872S

(12) **United States Design Patent**
Lobermeier

(10) **Patent No.: US D461,872 S**

(45) **Date of Patent: ** *Aug. 20, 2002**

(54) **SHOWER APPARATUS**

(75) Inventor: **Hans Lobermeier**, Menden (DE)

(73) Assignee: **Friedrich Grohe AG & Co. KG**,
Hemer (DE)

(*) Notice: This patent is subject to a terminal disclaimer.

(**) Term: **14 Years**

(21) Appl. No.: **29/139,325**

(22) Filed: **Mar. 28, 2001**

(30) **Foreign Application Priority Data**

Oct. 13, 2000 (DE) 4 00 09 748

(51) **LOC (7) Cl.** **23-01**

(52) **U.S. Cl.** **D23/228**

(58) **Field of Search** D23/213, 223,
D23/226, 229-230, 228; 4/614, 615, 601,
605, 670; 239/587.1, 536, 547

(56) **References Cited**

U.S. PATENT DOCUMENTS

1,758,115 A * 5/1930 Kelly 239/587.1

2,966,311 A * 12/1960 Davis 239/587.1

D384,129 S * 9/1997 Neufeld et al. D23/213

D385,333 S * 10/1997 Careon et al. D23/228

D391,341 S * 2/1998 Sutherland D23/228

* cited by examiner

Primary Examiner—Robin V. Taylor

(74) *Attorney, Agent, or Firm*—Herbert Dubno

(57) **CLAIM**

The ornamental design for a shower apparatus, as shown and described.

DESCRIPTION

FIG. 1 is a front, bottom, left side perspective view of a shower apparatus showing my new design;

FIG. 2 is a bottom view thereof;

FIG. 3 is a left side elevational view thereof;

FIG. 4 is a right side elevational view thereof;

FIG. 5 is a top plan view thereof;

FIG. 6 is a front elevational view thereof; and,

FIG. 7 is a rear elevational view thereof.

1 Claim, 6 Drawing Sheets



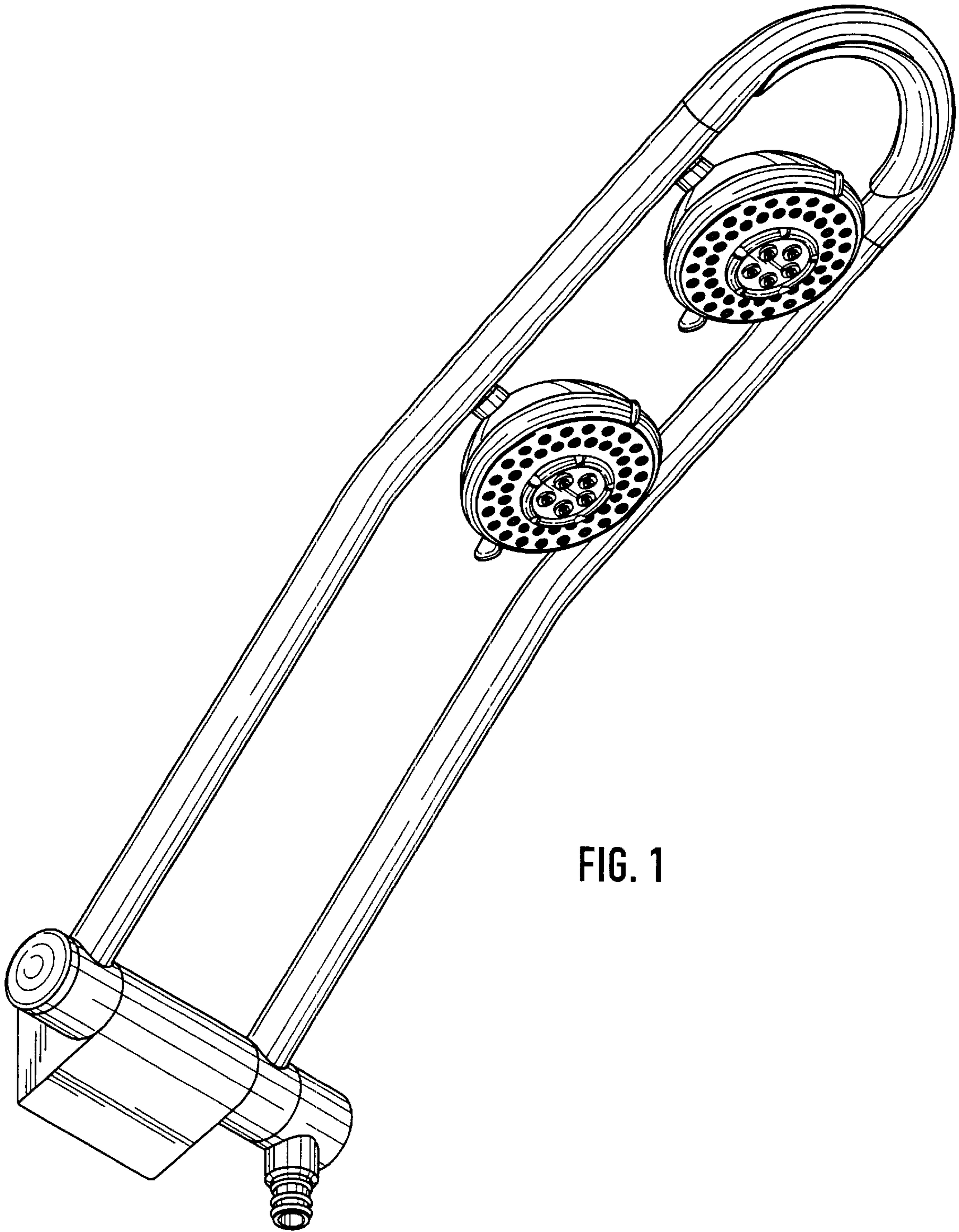
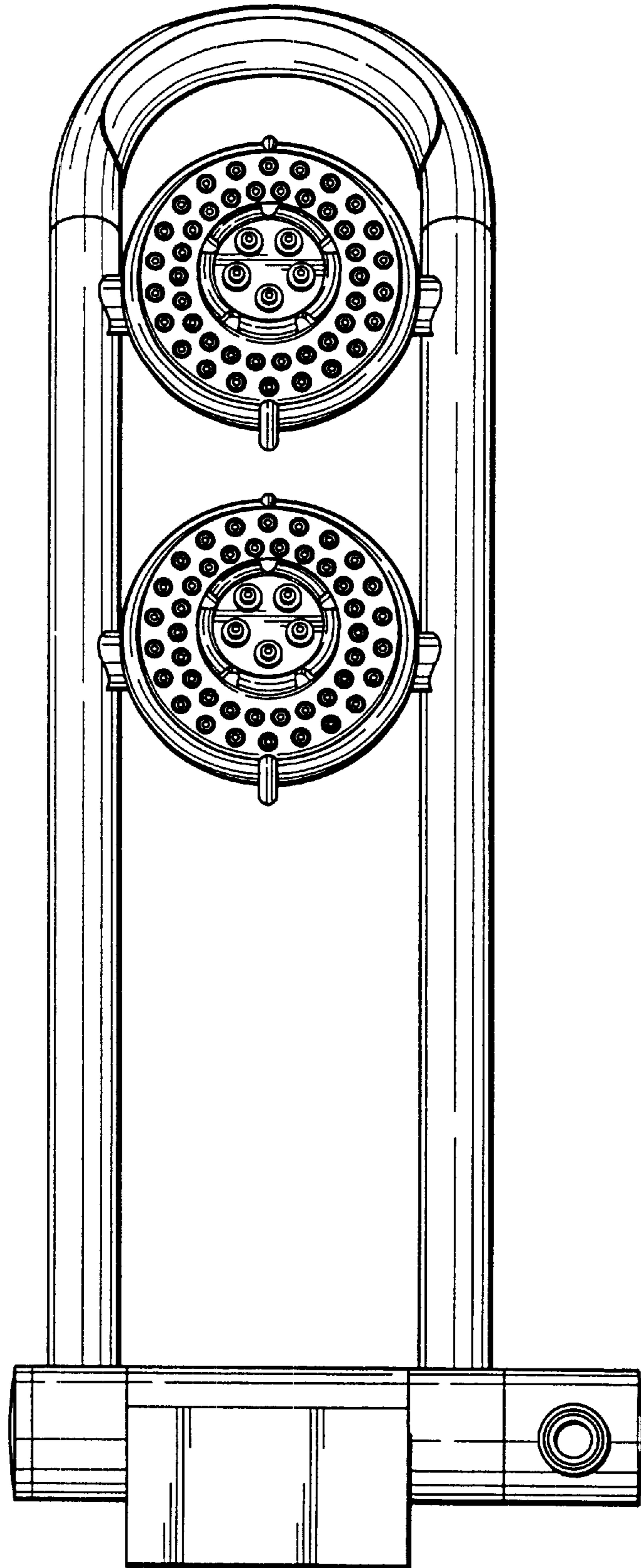


FIG. 1

FIG. 2



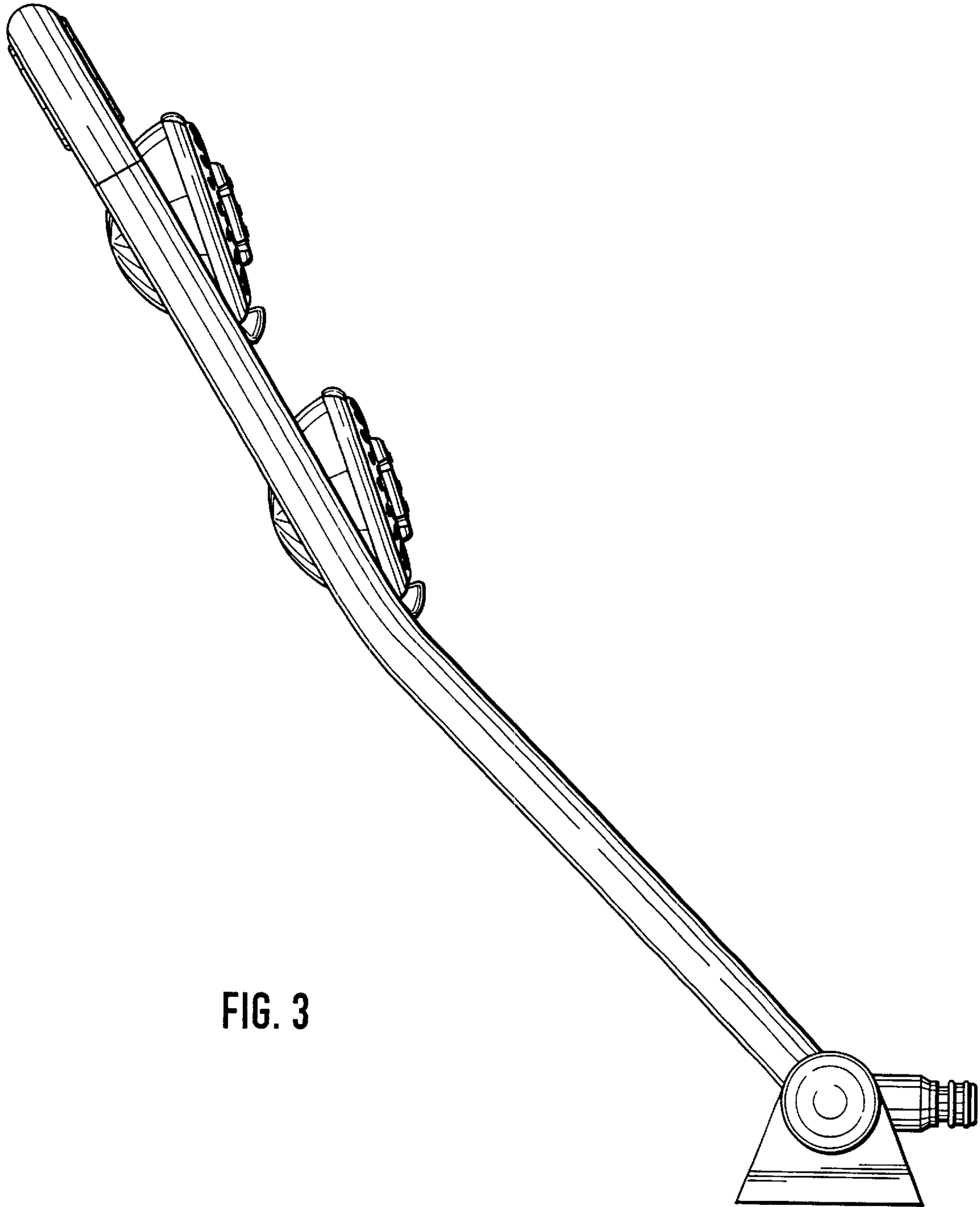


FIG. 3

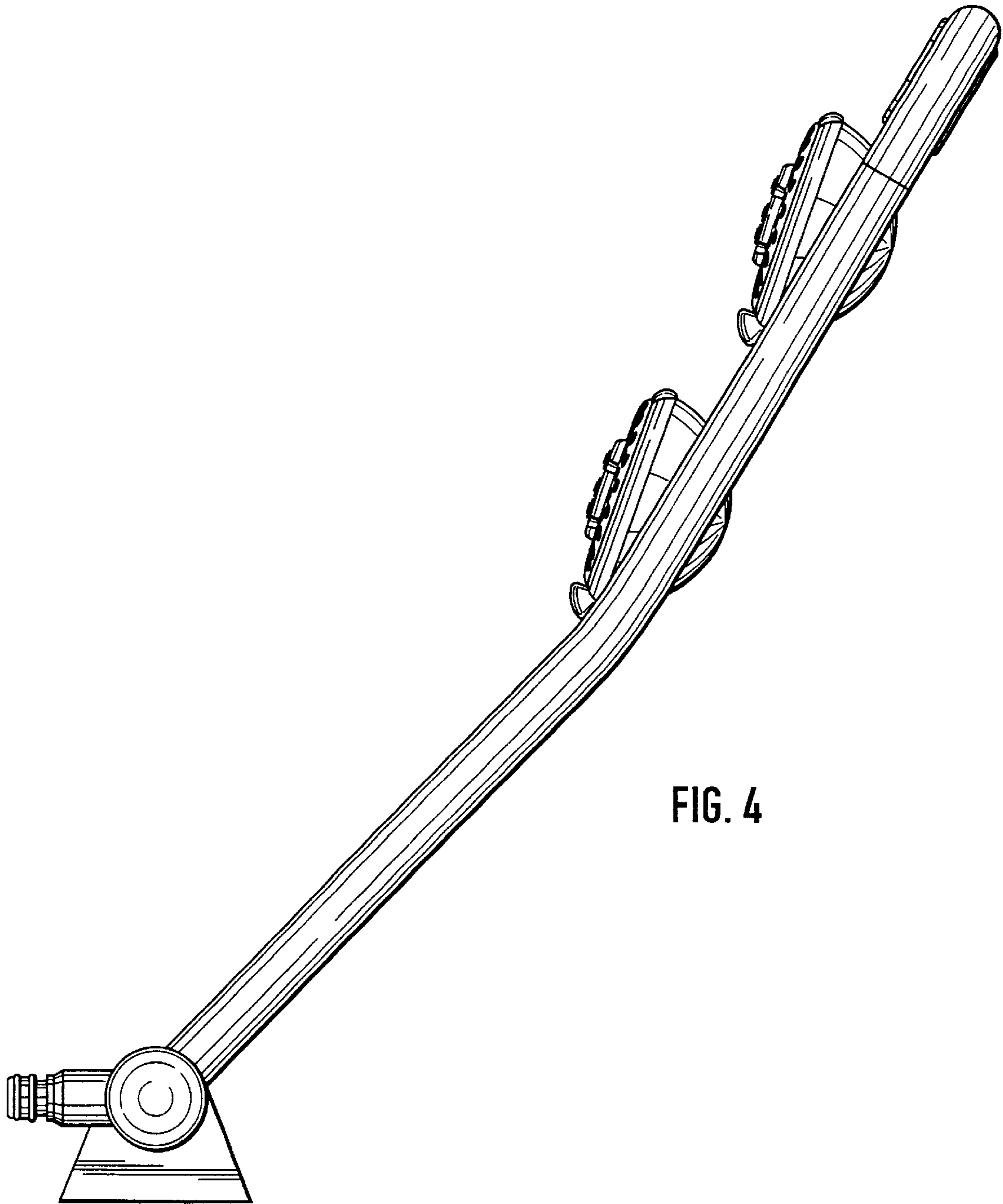


FIG. 4

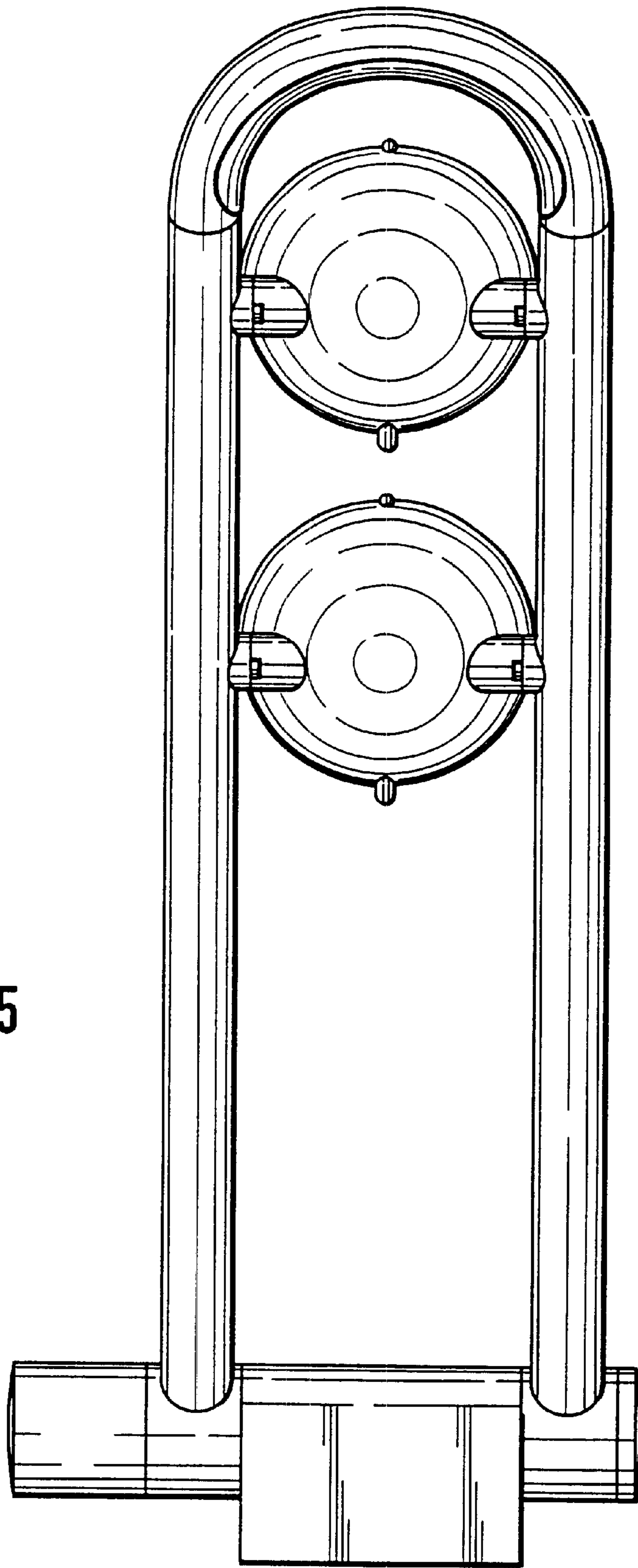


FIG. 5

FIG. 6

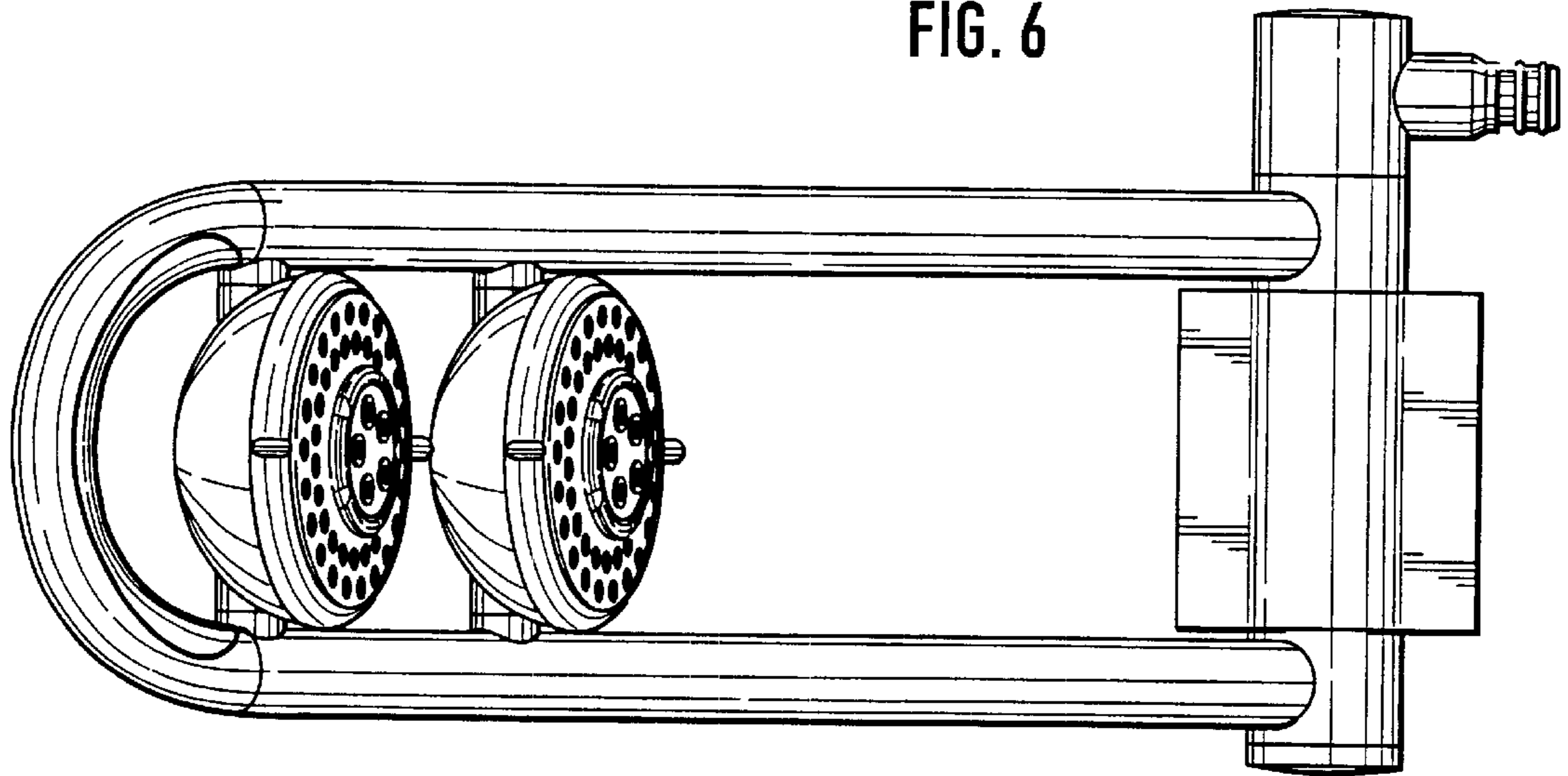


FIG. 7

