



US00D461871S

(12) **United States Design Patent**  
**Flowers**

(10) **Patent No.:** **US D461,871 S**

(45) **Date of Patent:** **\*\* Aug. 20, 2002**

(54) **SHARK FIN CHLORINATOR**

(76) Inventor: **Deborah Flowers**, 7233 W. Maryland Ave., Glendale, AZ (US) 85311-0219

(\*\*) Term: **14 Years**

(21) Appl. No.: **29/153,086**

(22) Filed: **Oct. 22, 2001**

(51) **LOC (7) Cl.** ..... **23-01**

(52) **U.S. Cl.** ..... **D23/208; D21/597**

(58) **Field of Search** ..... **D23/207, 208; 422/265, 277; D21/597**

(56) **References Cited**

**U.S. PATENT DOCUMENTS**

4,798,707	A	*	1/1989	Thomas et al.	.....	422/265
5,053,205	A	*	10/1991	Taylor et al.	.....	422/265
D451,978	S	*	12/2001	Hood et al.	.....	D23/208
D456,061	S	*	4/2002	Hood et al.	.....	D23/208

\* cited by examiner

*Primary Examiner*—Robin V. Taylor

(74) *Attorney, Agent, or Firm*—Schmeiser, Olsen & Watts

(57) **CLAIM**

The ornamental design for the shark fin chlorinator, as shown and described.

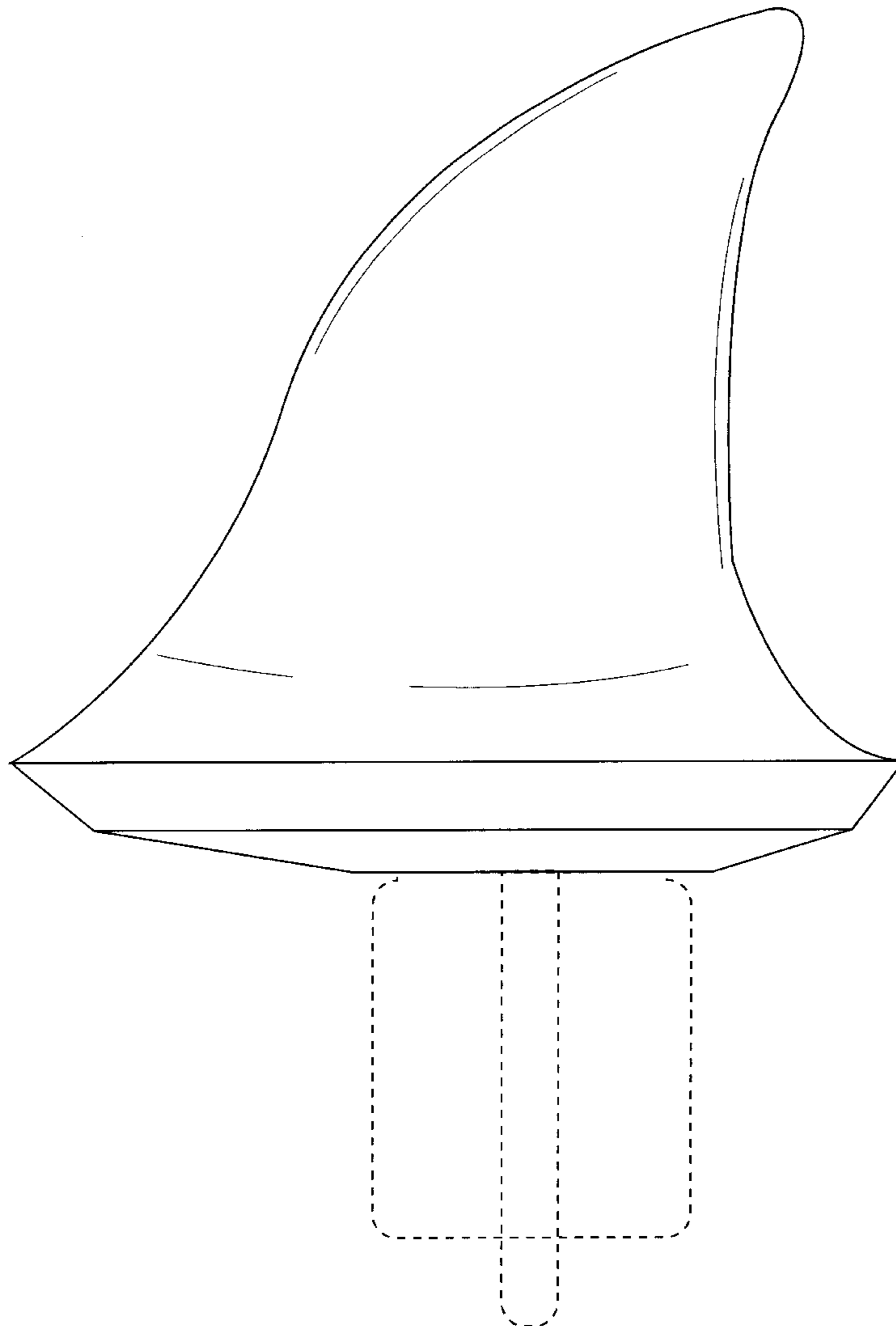
**DESCRIPTION**

FIG. 1 is a side elevational view of the shark fin chlorinator. A view of the opposite side is identical and a mirror image of FIG. 1;

FIG. 2 is a front elevational view of the shark fin chlorinator; FIG. 3 is a rear elevational view of the shark fin chlorinator; FIG. 4 is a top plan view of the shark fin chlorinator; and, FIG. 5 is a bottom plan view of the shark fin chlorinator.

The broken line showing is for illustrative purposes only and forms no part of the claimed design.

**1 Claim, 5 Drawing Sheets**



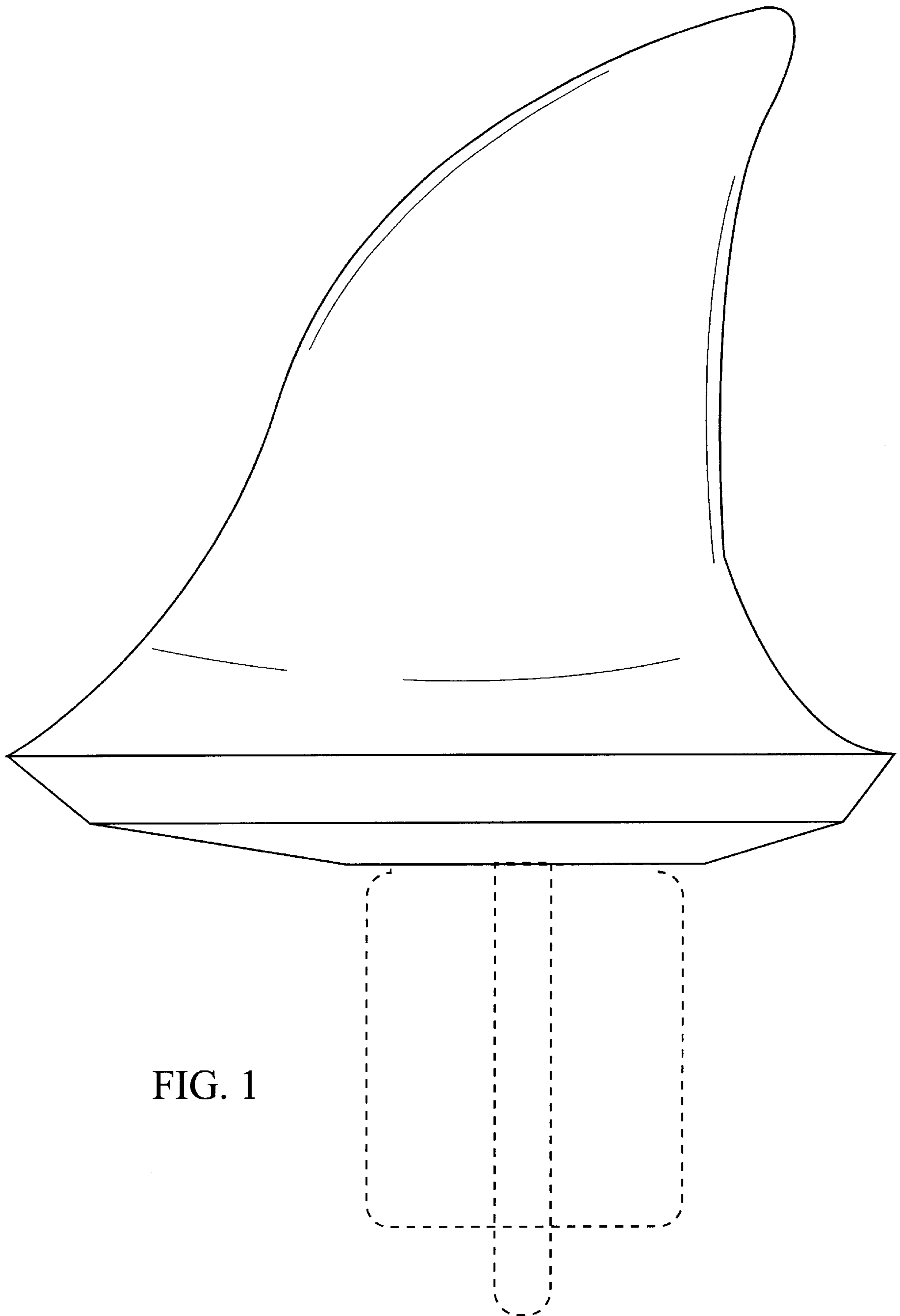


FIG. 1

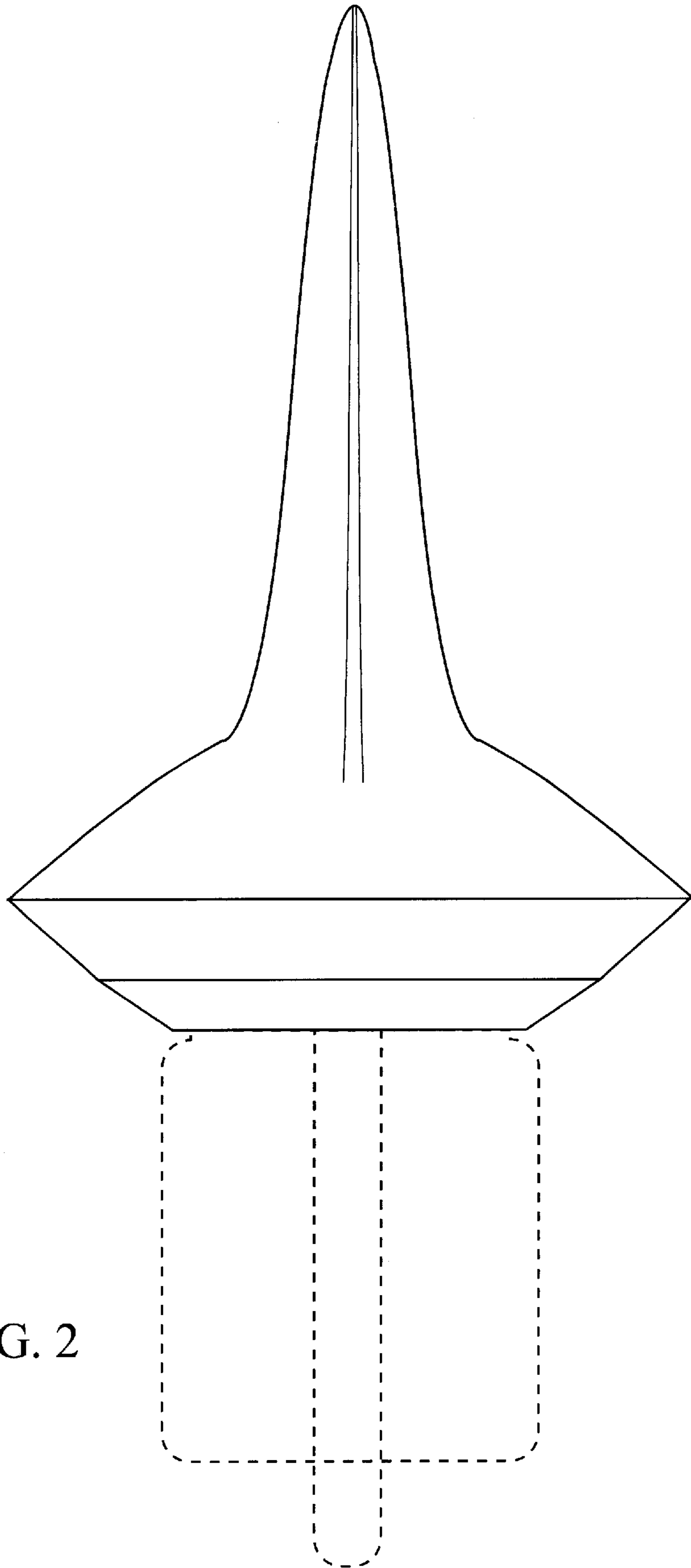


FIG. 2

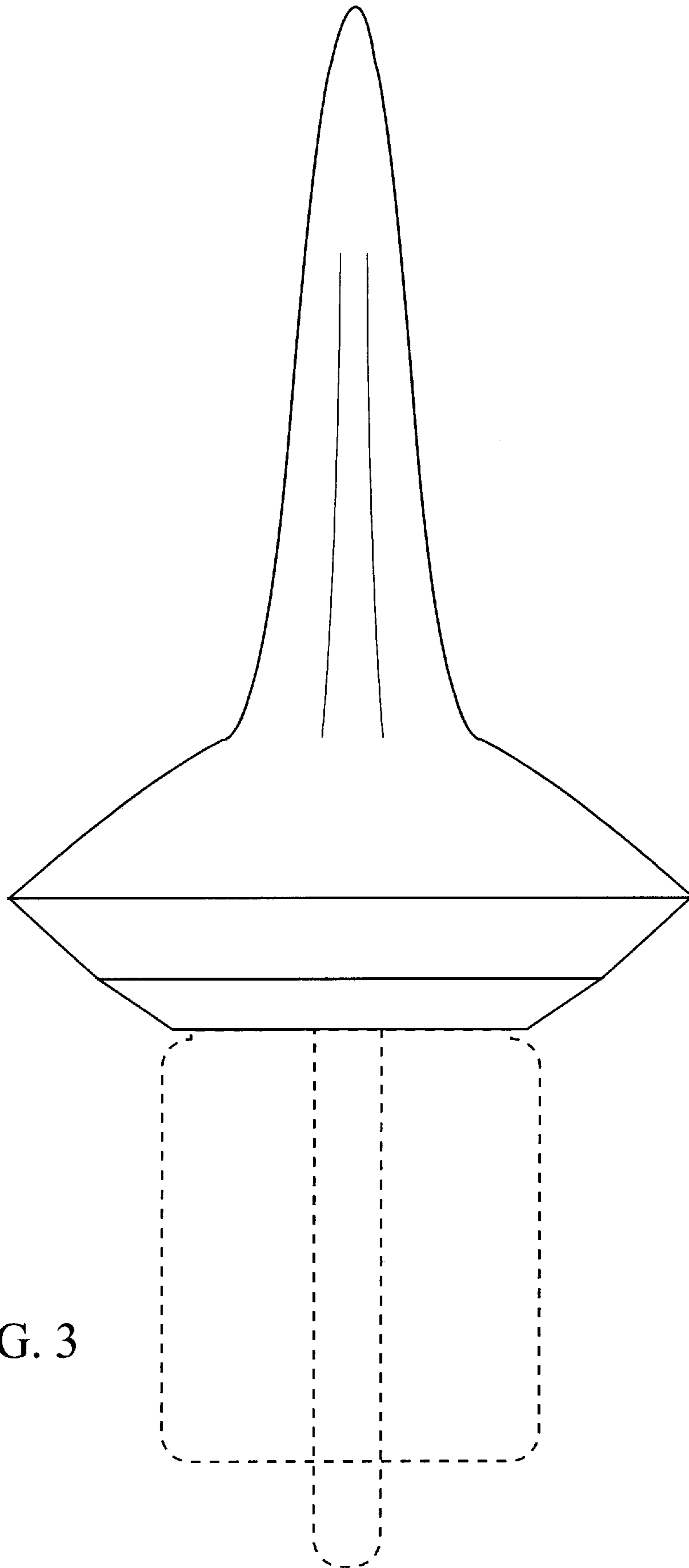


FIG. 3

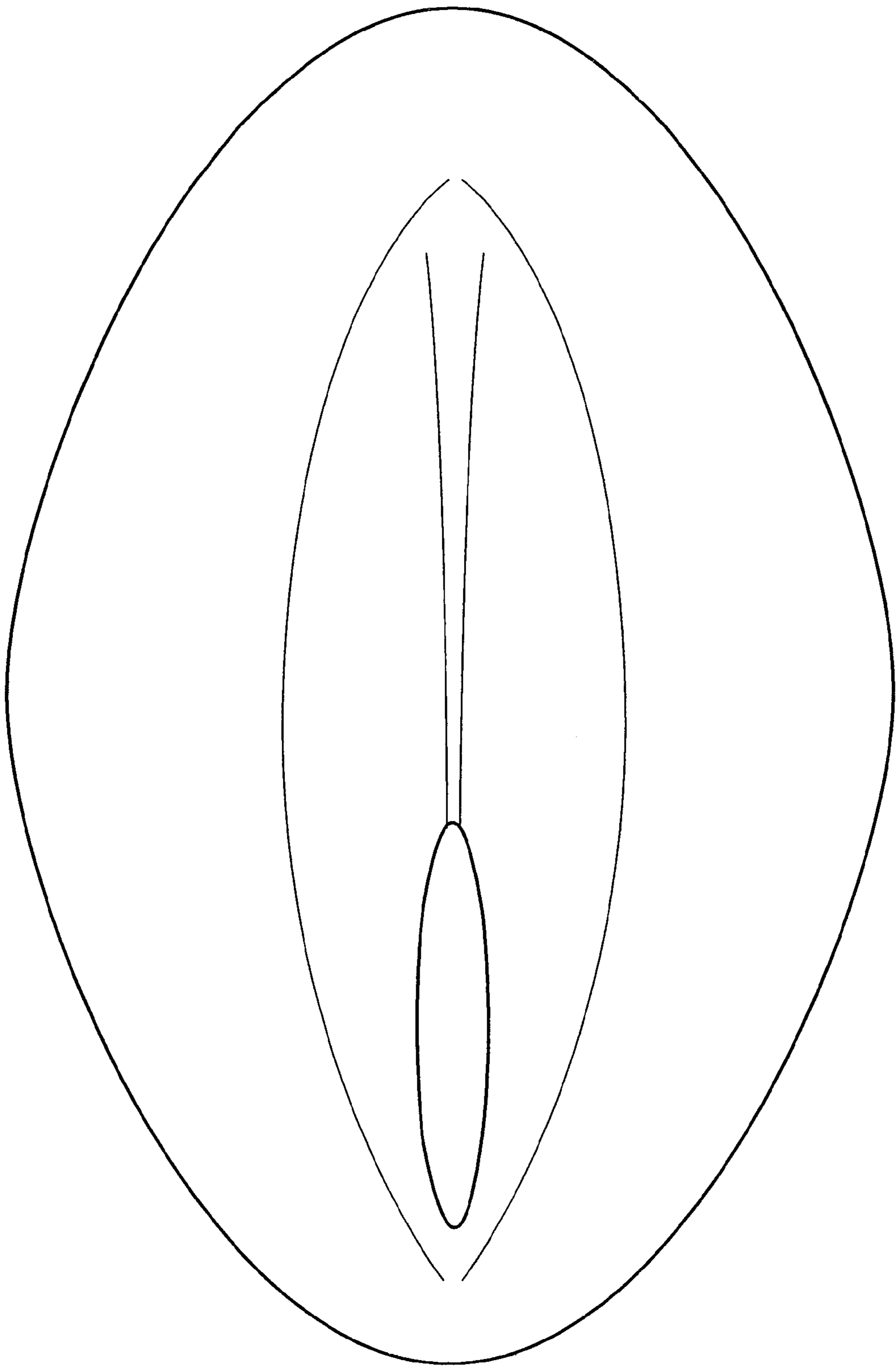


FIG. 4

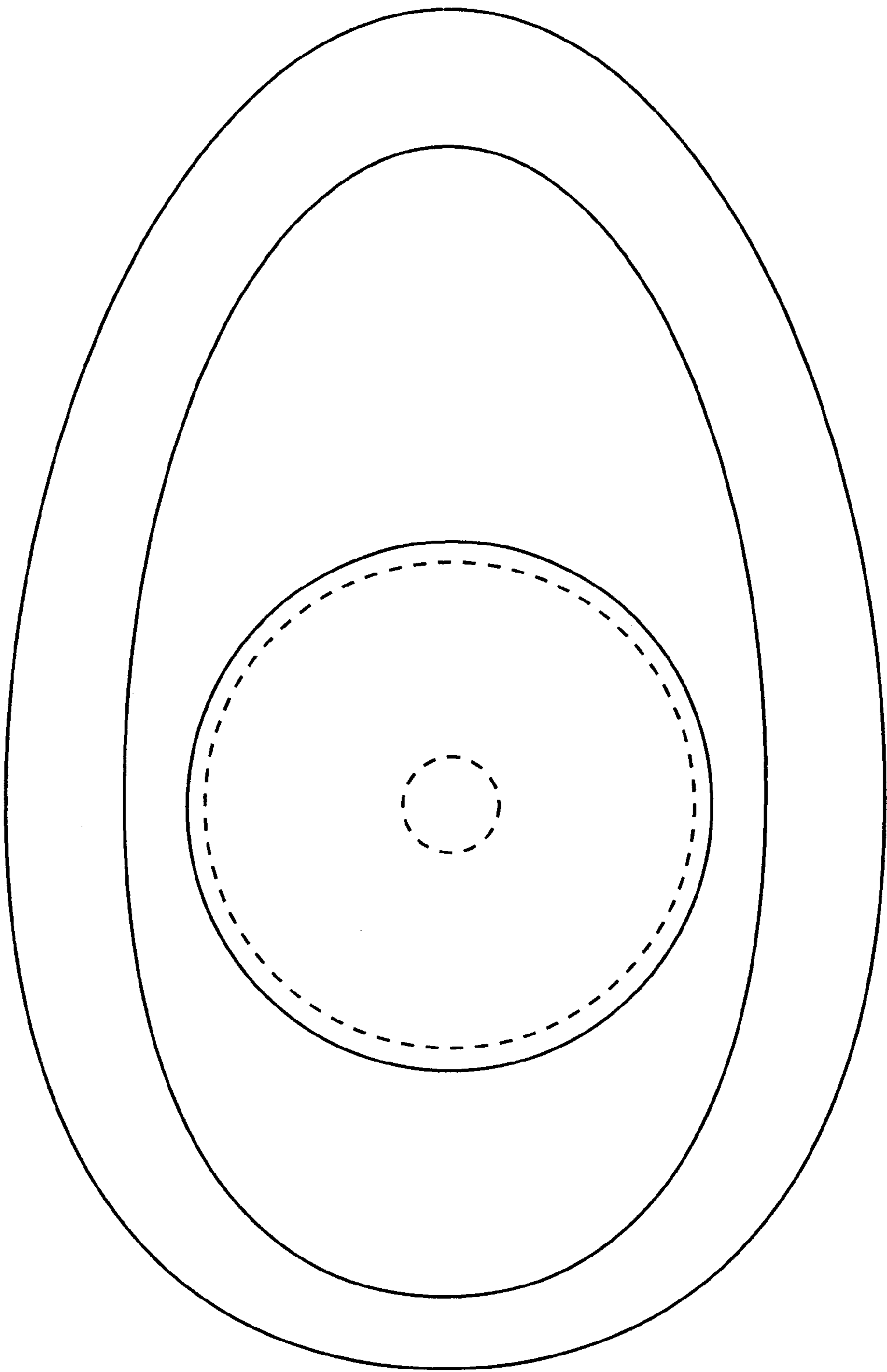


FIG. 5