



US00D461870S

(12) **United States Design Patent**  
**Ball et al.**

(10) **Patent No.: US D461,870 S**

(45) **Date of Patent: \*\* \*Aug. 20, 2002**

(54) **TANK**

(75) Inventors: **Harold L. Ball; Terry R. Bounds; Eric S. Ball**, all of Roseburg, OR (US)

(73) Assignee: **Orenco Systems Incorporated**, Sutherlin, OR (US)

(\* ) Notice: This patent is subject to a terminal disclaimer.

(\*\*) Term: **14 Years**

(21) Appl. No.: **29/144,137**

(22) Filed: **Jun. 27, 2001**

**Related U.S. Application Data**

(63) Continuation-in-part of application No. 29/131,780, filed on Oct. 27, 2000, now Pat. No. Des. 445,476.

(51) **LOC (7) Cl.** ..... **23-01**

(52) **U.S. Cl.** ..... **D23/202**

(58) **Field of Search** ..... D23/202, 203; 220/565, 567, 566, 4.12

(56) **References Cited**

**U.S. PATENT DOCUMENTS**

D141,914 S	*	7/1945	Benson	.....	D23/202
D226,192 S	*	1/1973	Boyd	.....	D23/202
D237,179 S	*	10/1975	Laswell	.....	D23/202
D239,506 S	*	4/1976	Myers	.....	D23/202
D357,530 S	*	4/1995	Grenier et al.	.....	D23/203
D445,476 S	*	7/2001	Ball et al.	.....	D23/202

\* cited by examiner

*Primary Examiner*—Robin V. Taylor

(74) *Attorney, Agent, or Firm*—Chernoff, Vilhauer, McClung & Stenzel, LLP

(57) **CLAIM**

The ornamental design for a tank, as shown and described.

**DESCRIPTION**

FIG. 1 is a perspective view, looking from the top, of a tank showing our new design;

FIG. 2 is a first side elevational view thereof, the opposite side elevational view being identical thereto;

FIG. 3 is a top plan view thereof, the bottom plan view being identical thereto;

FIG. 4 is a first-end elevational view thereof, the opposite end elevational view being identical thereto;

FIG. 5 is a perspective view, looking from the bottom, of an alternative version of the embodiment of the design shown in FIGS. 1–4, the only difference being in the bottom view as shown.

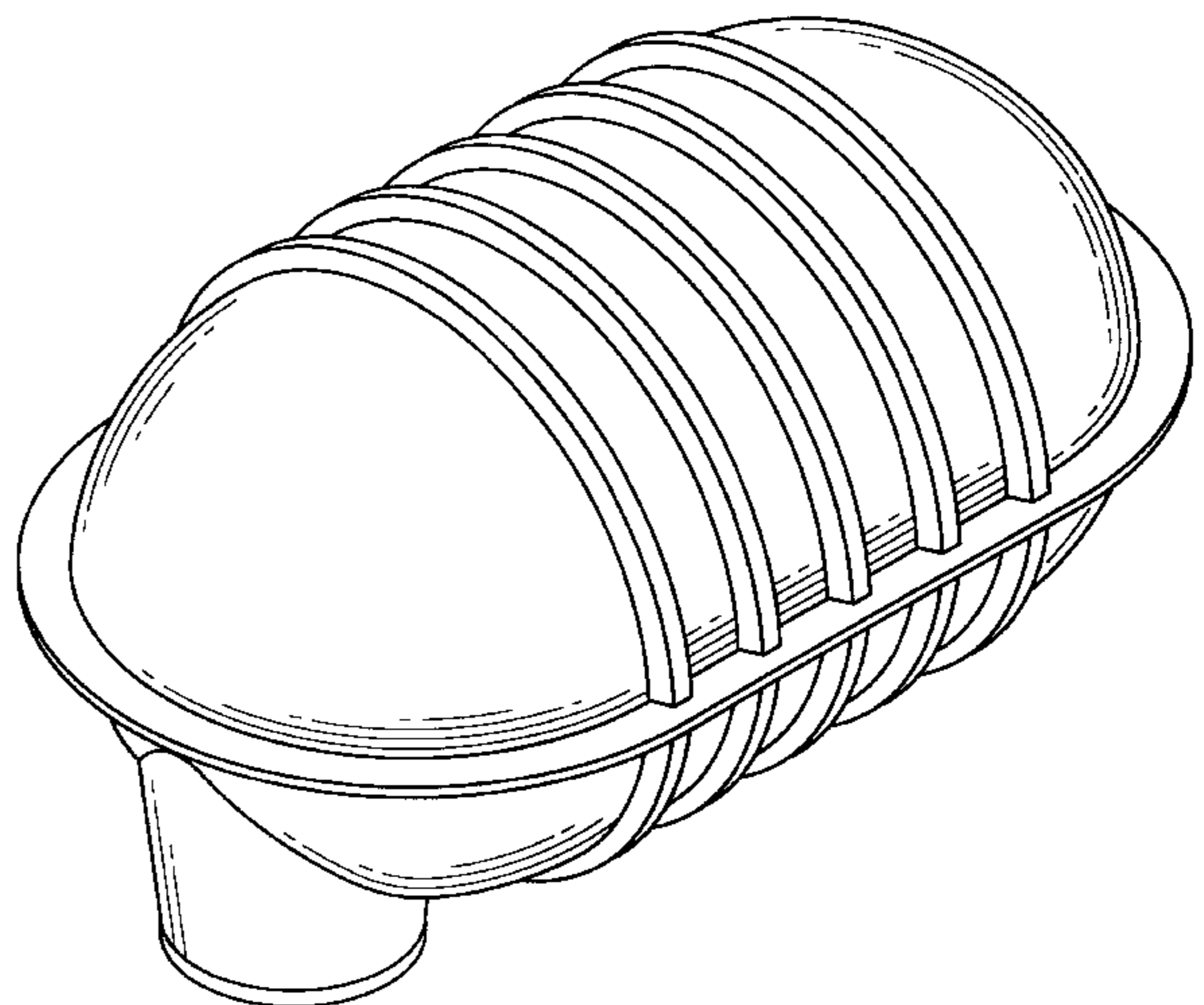
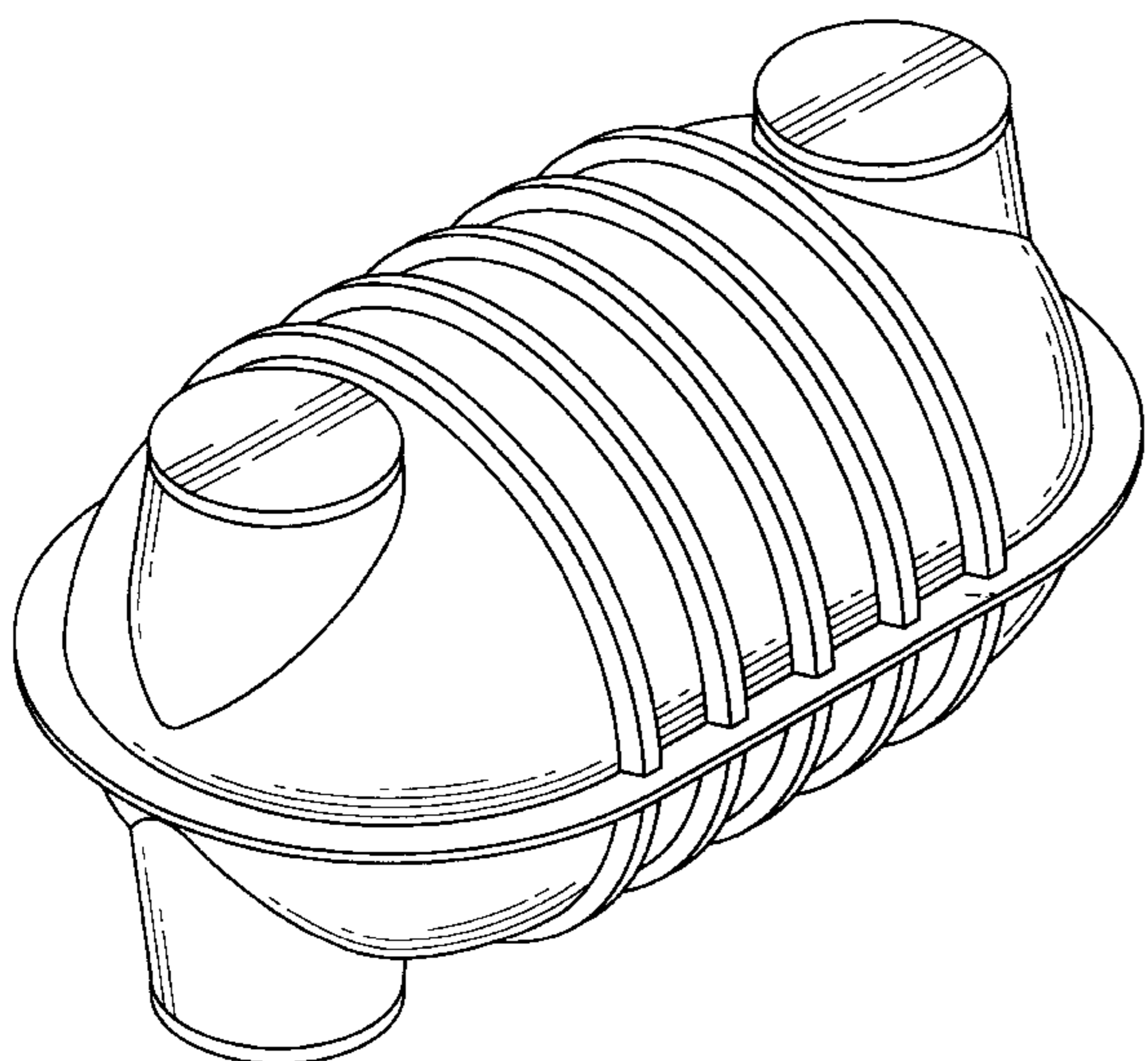
FIG. 6 is a perspective view, looking from the top, of another embodiment of the design;

FIG. 7 is a first side elevational view of the embodiment shown in FIG. 6, the opposite side elevational view being identical thereto;

FIG. 8 is a first end elevational view of the embodiment shown in FIG. 6, the opposite end elevational view being identical thereto; the top plan view and the bottom plan view of the embodiment shown in FIG. 6 are identical to the top plan view and bottom plan view of the embodiment shown in FIG. 1; and,

FIG. 9 is a perspective view, looking from the bottom, of an alternative version of the embodiment of the design shown in FIGS. 6–9, the only difference being in the bottom view as shown.

**1 Claim, 4 Drawing Sheets**



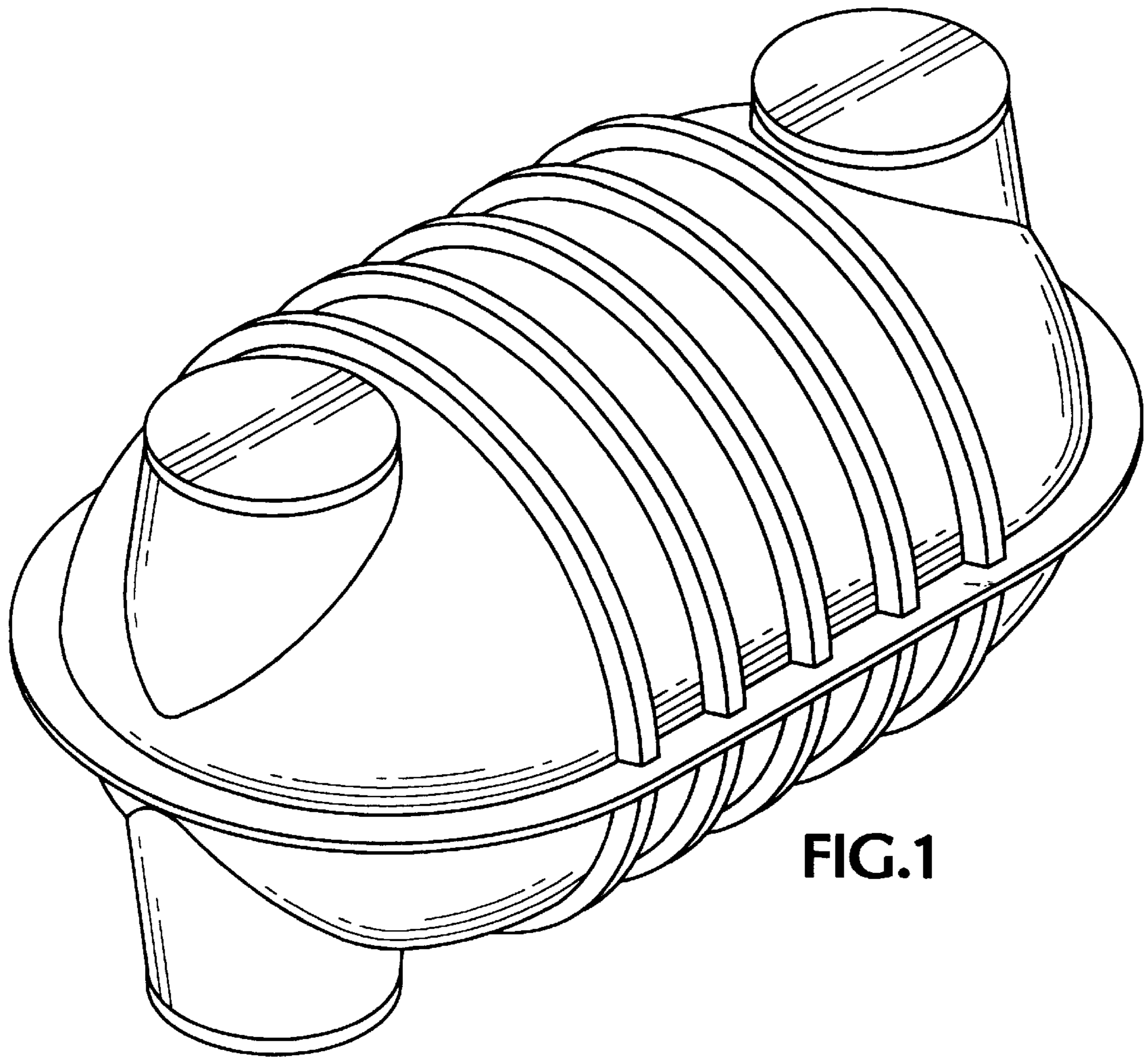


FIG. 1

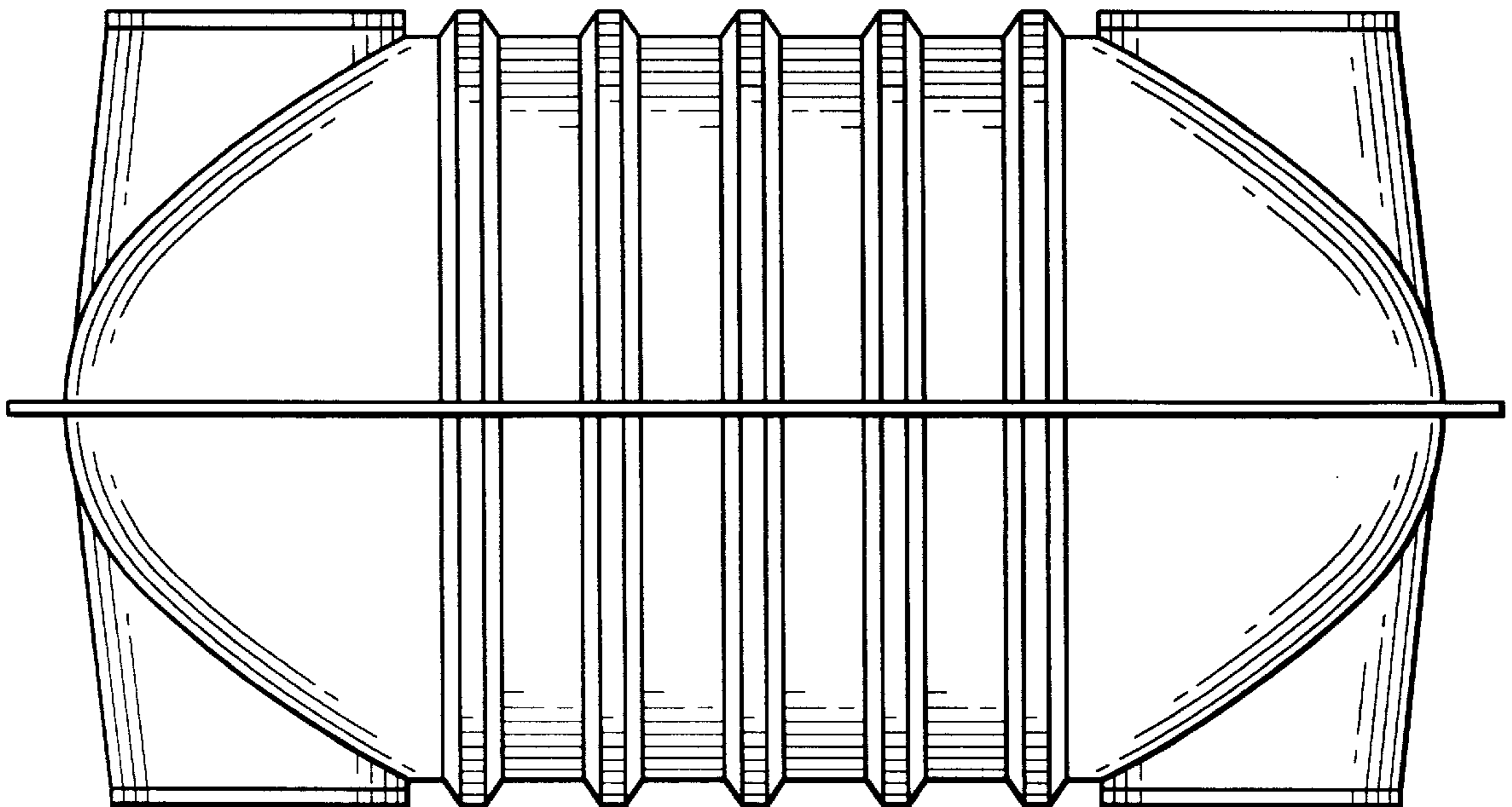


FIG. 2

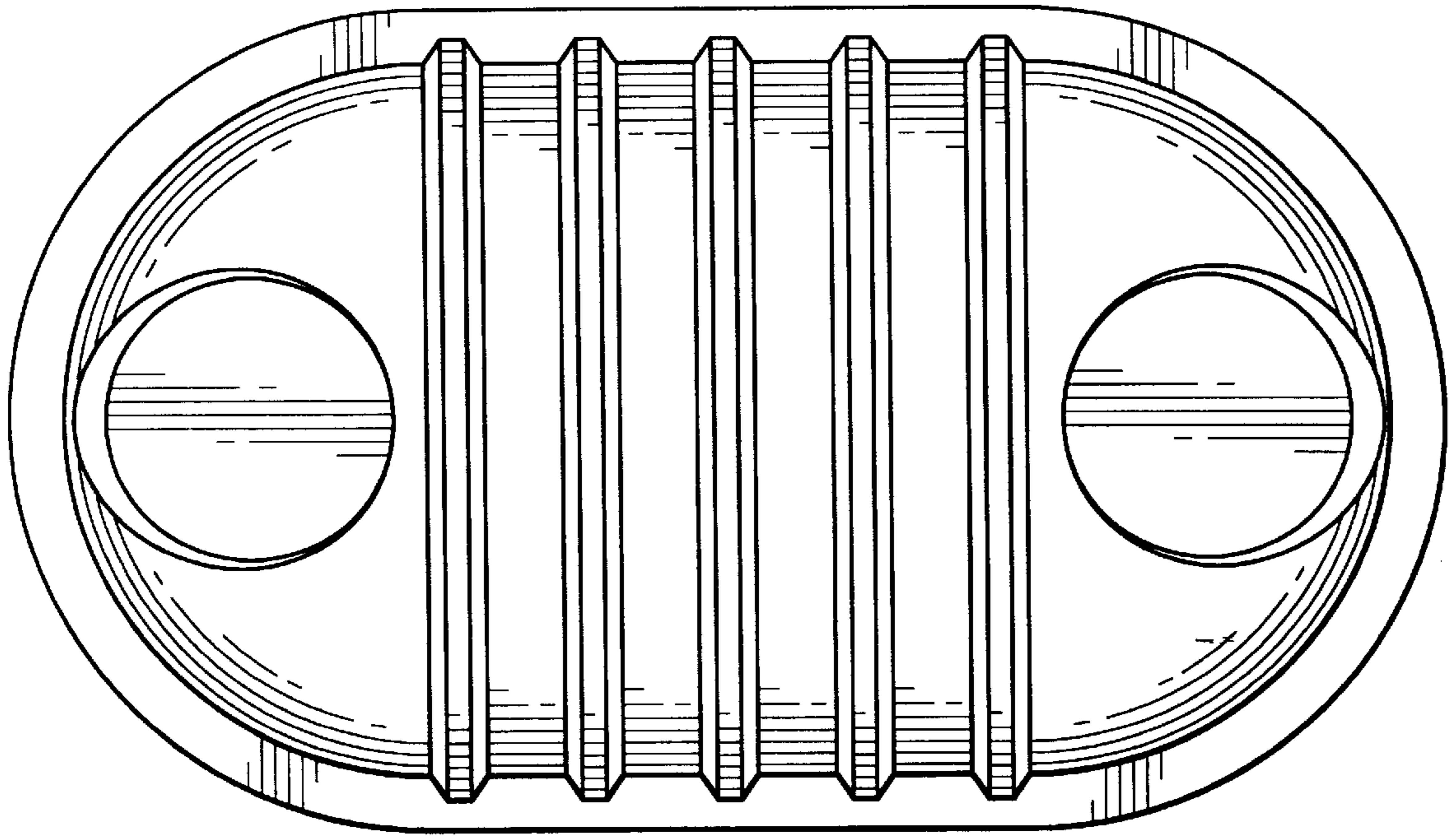


FIG. 3

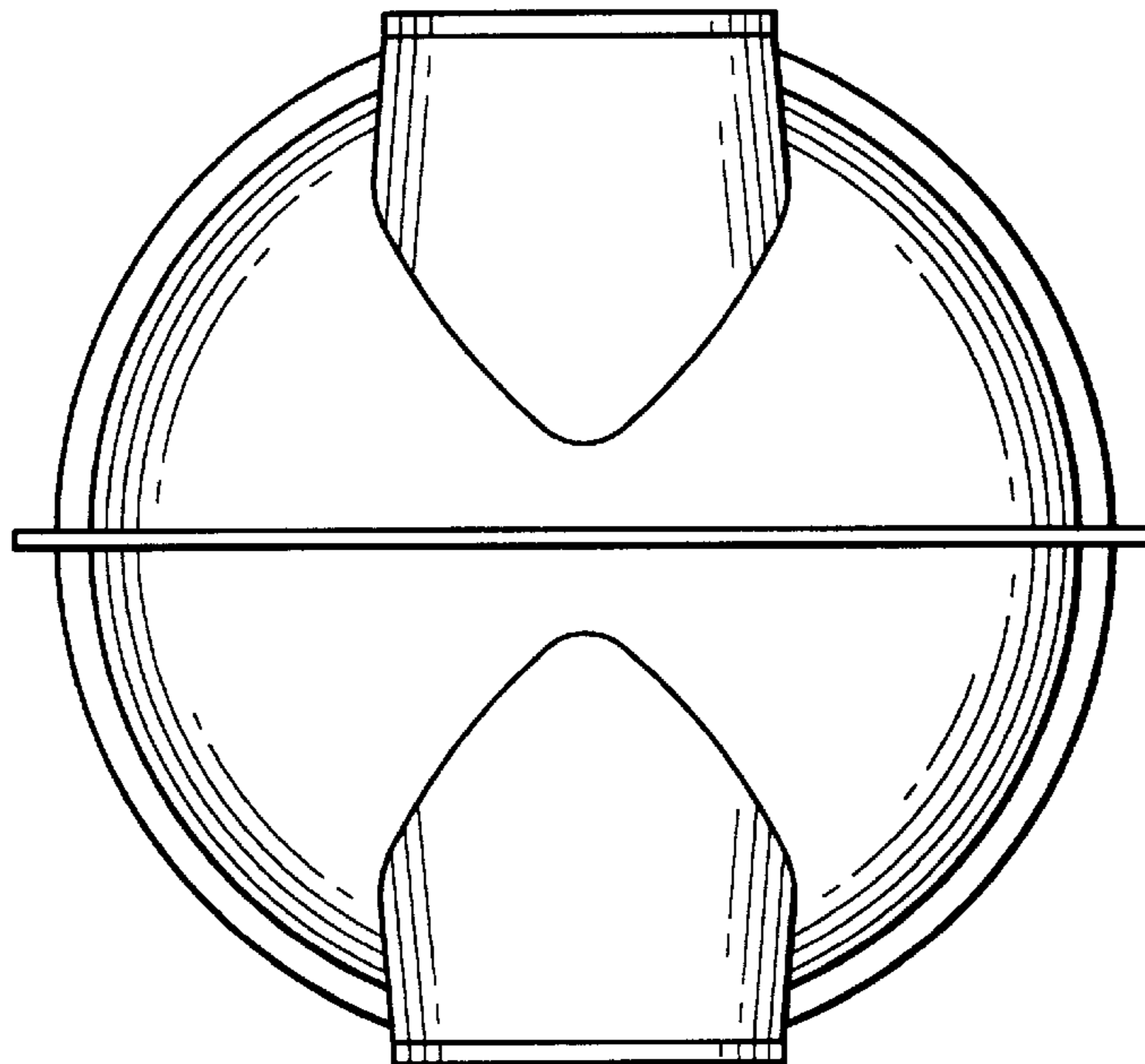


FIG. 4

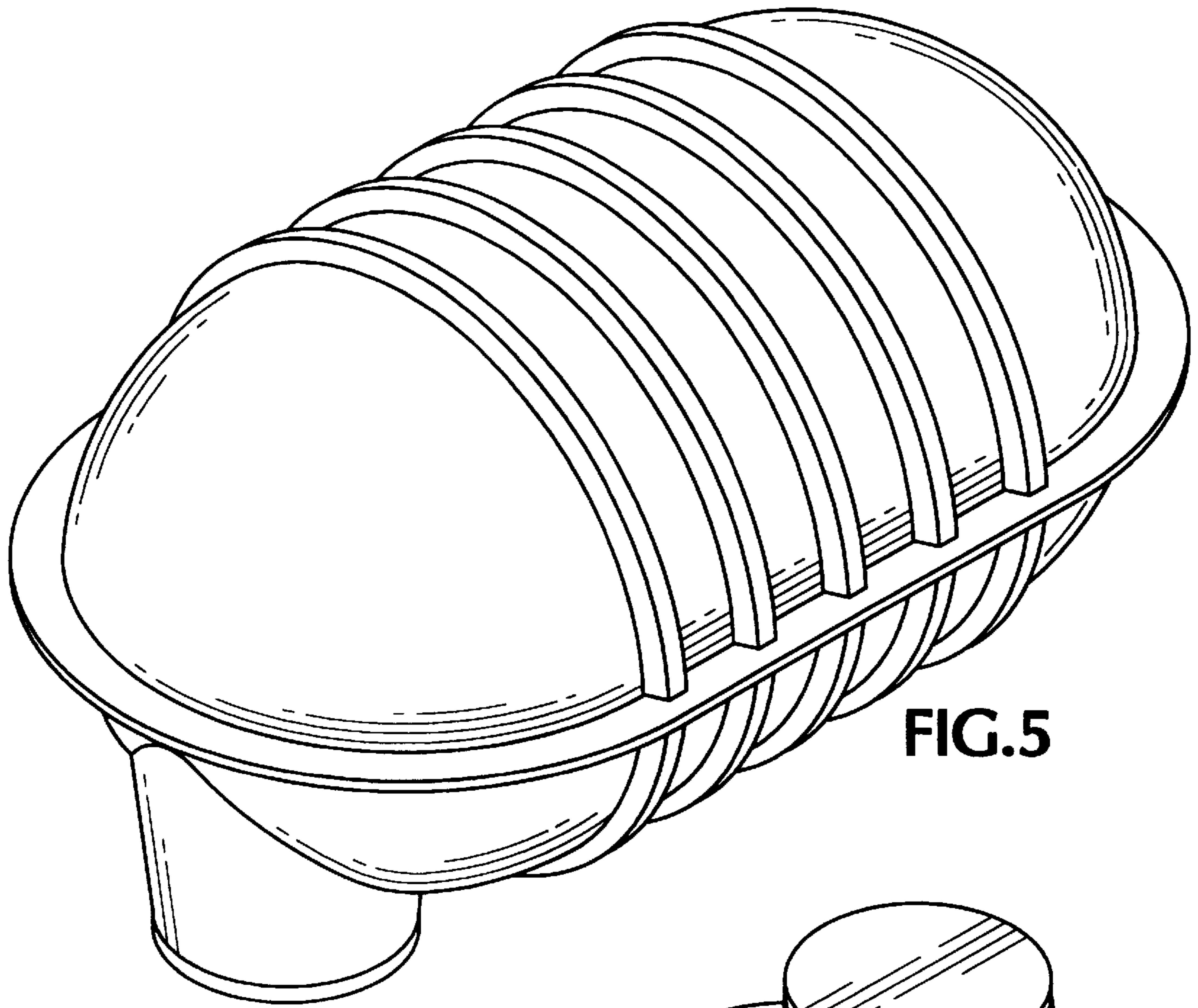


FIG. 5

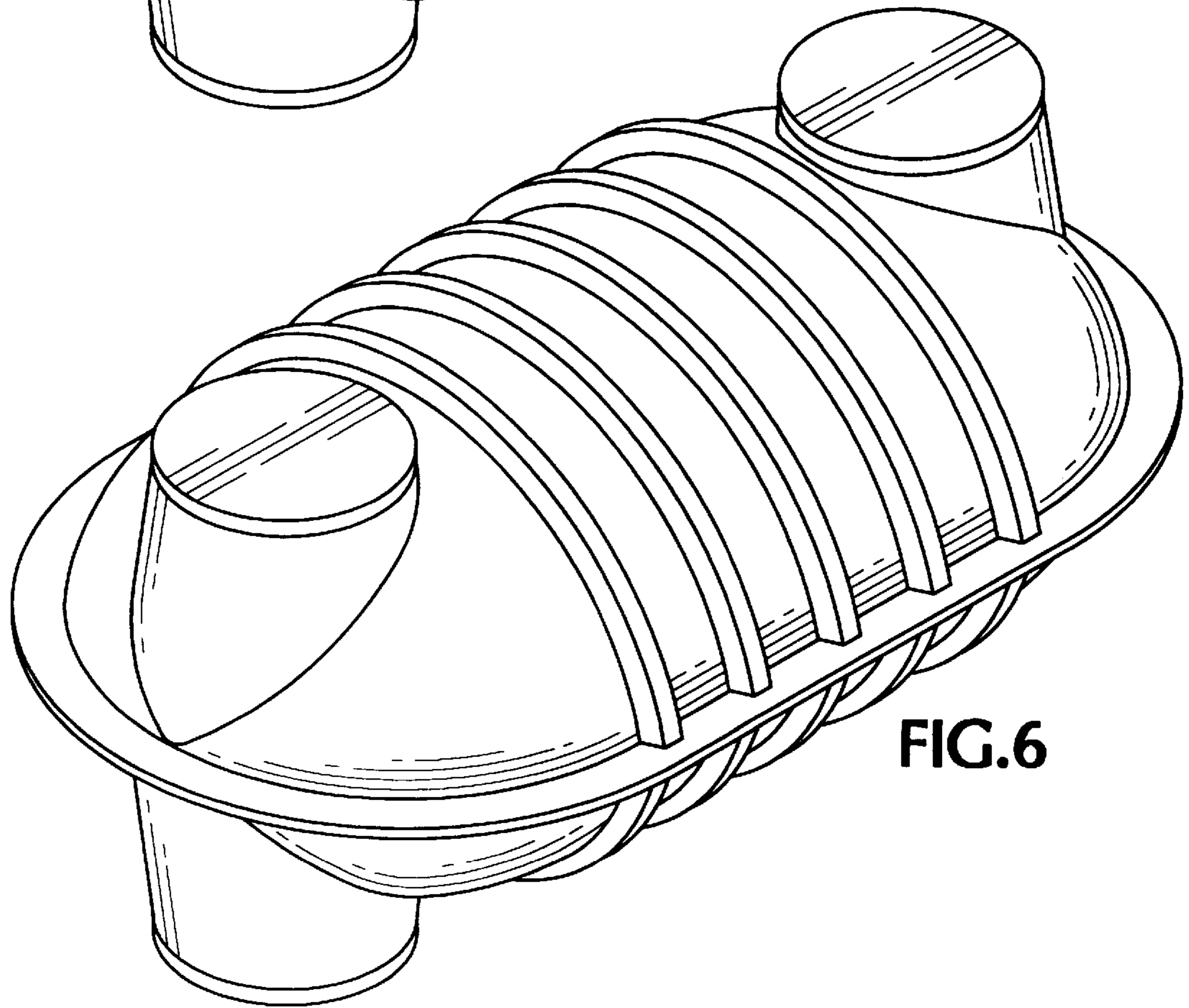


FIG. 6

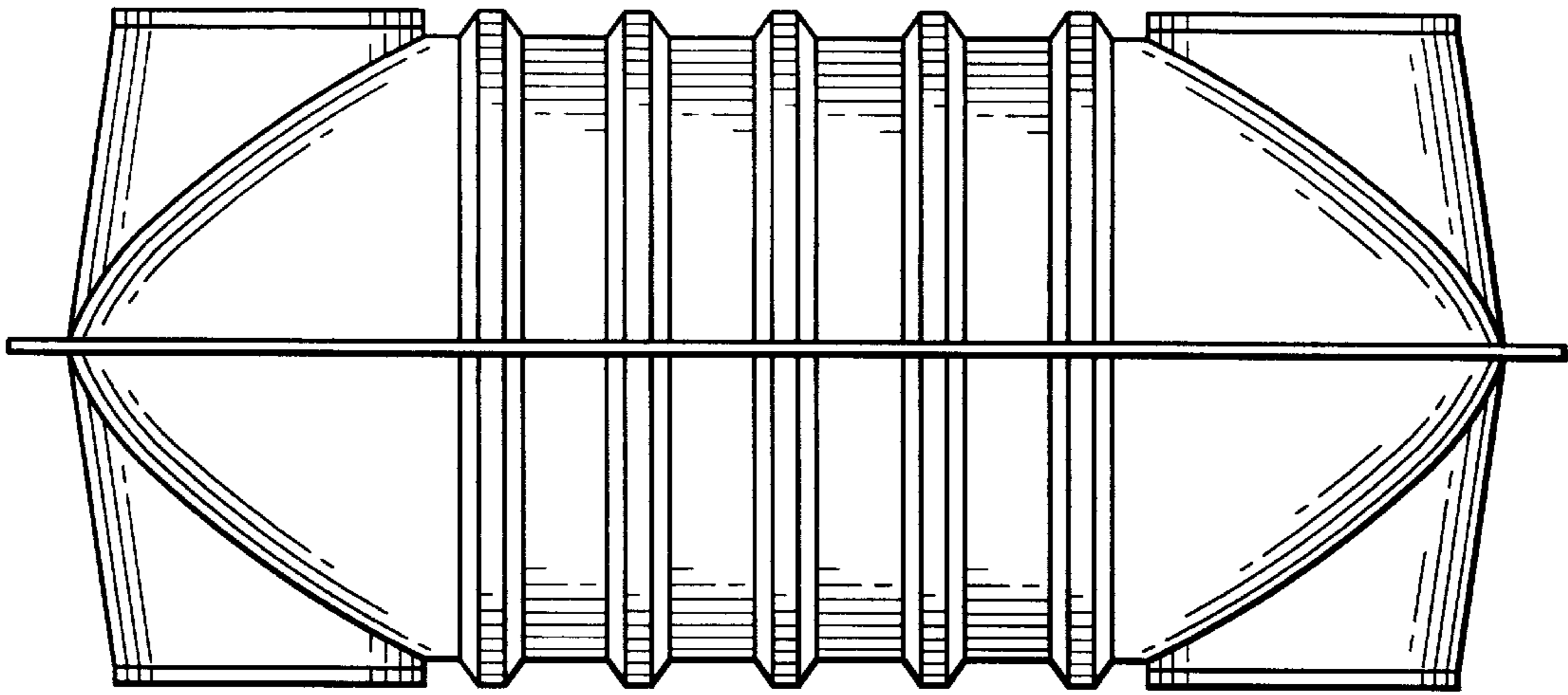


FIG. 7

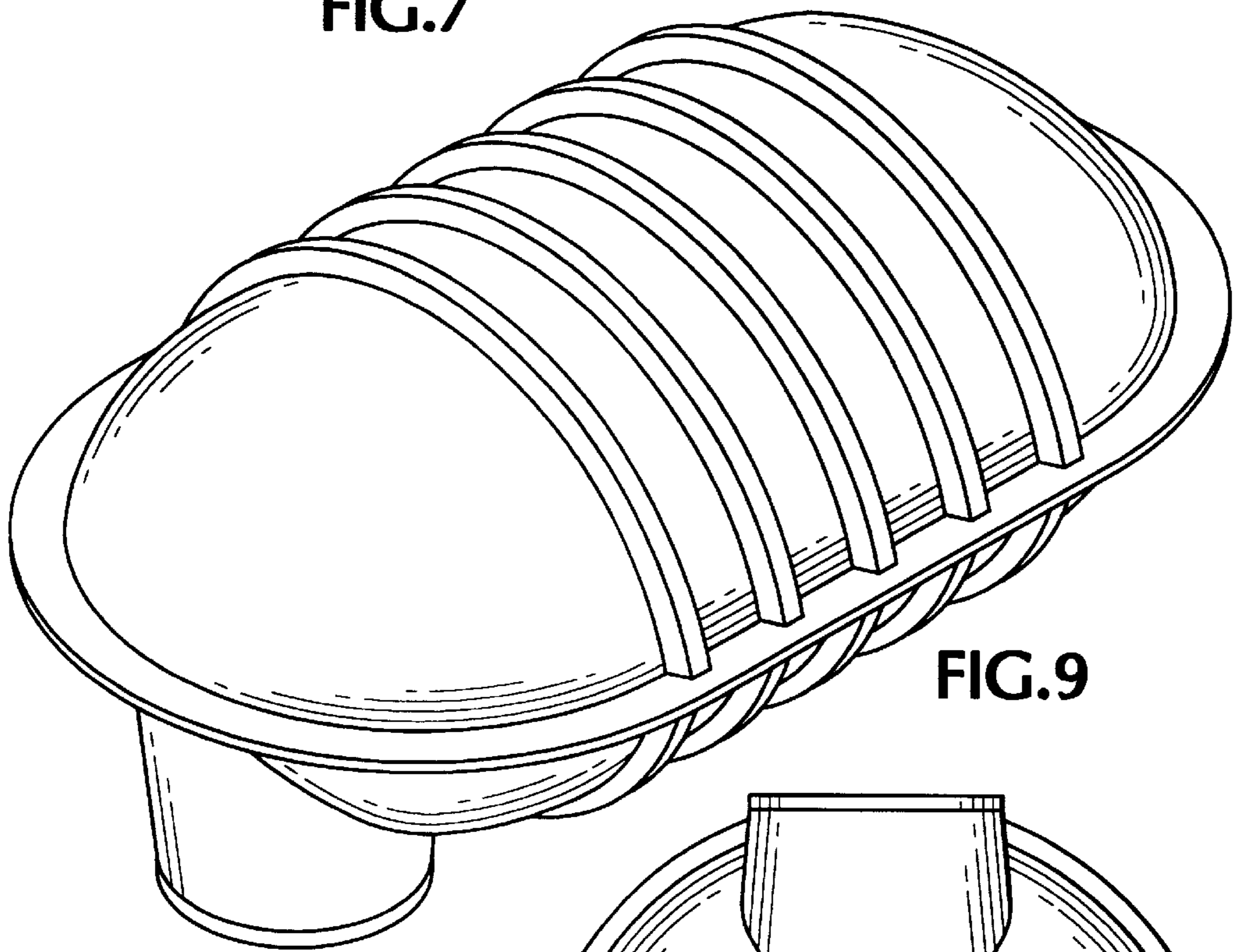


FIG. 9

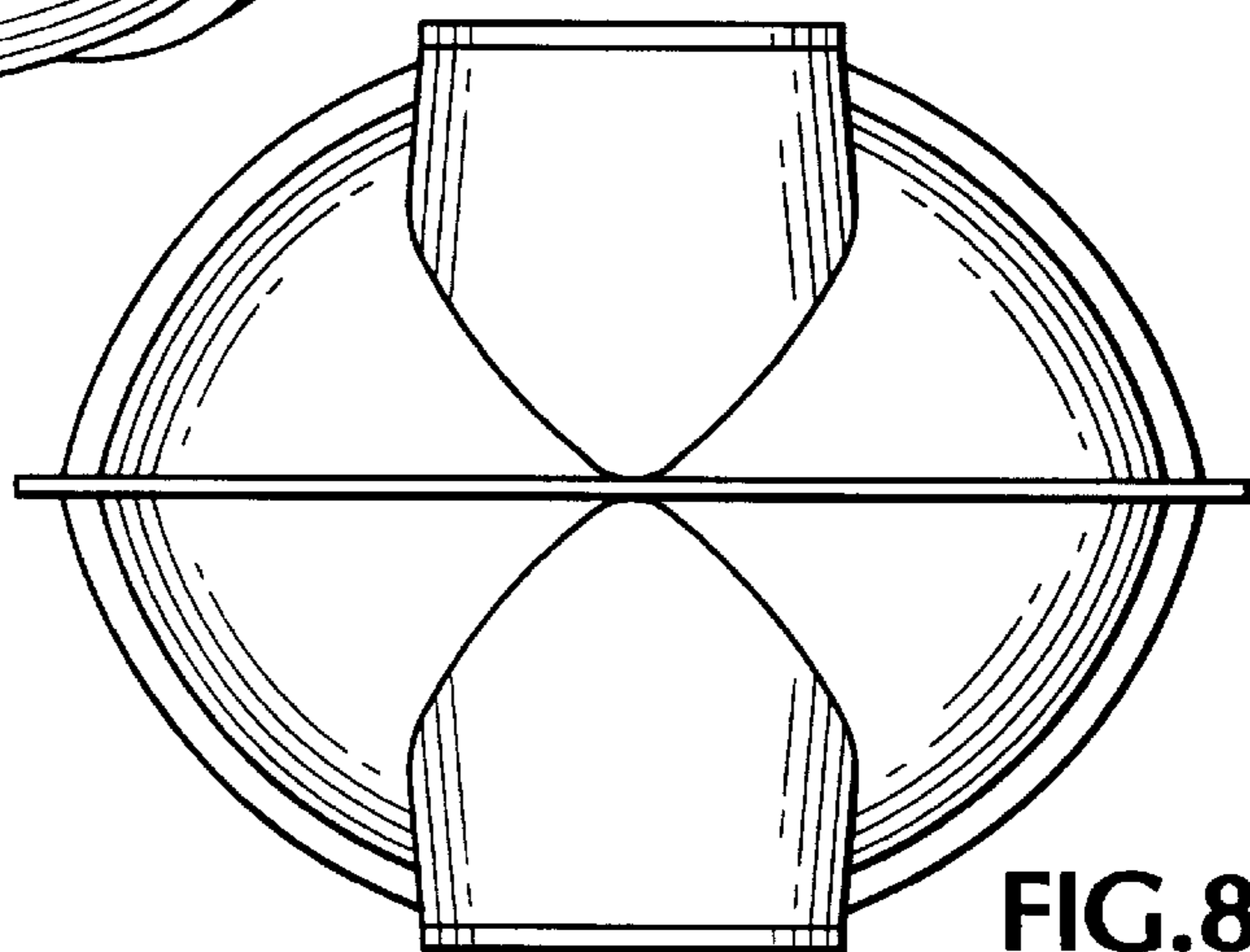


FIG. 8