



US00D461867S

(12) **United States Design Patent**  
**Szydlek**

(10) **Patent No.:** **US D461,867 S**

(45) **Date of Patent:** **\*\* Aug. 20, 2002**

(54) **GROUND STAKE**

5,809,700 A \* 9/1998 Roush ..... 135/118  
D415,018 S \* 10/1999 Uhler ..... D21/840

(76) Inventor: **Thomas F. Szydlek**, P.O. Box 137,  
Washington, MI (US) 48094

\* cited by examiner

(\*\*) Term: **14 Years**

*Primary Examiner*—Raphael Barkai  
(74) *Attorney, Agent, or Firm*—Plunkett & Cooney, PC;  
Arnold S. Weintraub

(21) Appl. No.: **29/142,915**

(22) Filed: **Jun. 4, 2001**

(57) **CLAIM**

(51) **LOC (7) Cl.** ..... **21-04**

(52) **U.S. Cl.** ..... **D21/840**

(58) **Field of Search** ..... D21/840; D8/1,  
D8/388; D26/67, 142, 149; 135/118; 52/155;  
248/499, 156, 87

The ornamental design for a ground stake, as shown and described.

**DESCRIPTION**

(56) **References Cited**

**U.S. PATENT DOCUMENTS**

147,928 A \* 2/1874 Fry ..... 135/118  
272,426 A \* 2/1883 Gray ..... 135/118  
369,500 A \* 9/1887 Brookbank ..... 135/118  
D380,569 S \* 7/1997 Garber ..... D8/388

FIG. 1 is a perspective view of a ground stake showing my new design;  
FIG. 2 is a top plan view thereof;  
FIG. 3 is a first side elevational view thereof;  
FIG. 4 is a second side elevational view as seen 90° from that of FIG. 3; and,  
FIG. 5 is a bottom plan view thereof.

**1 Claim, 2 Drawing Sheets**

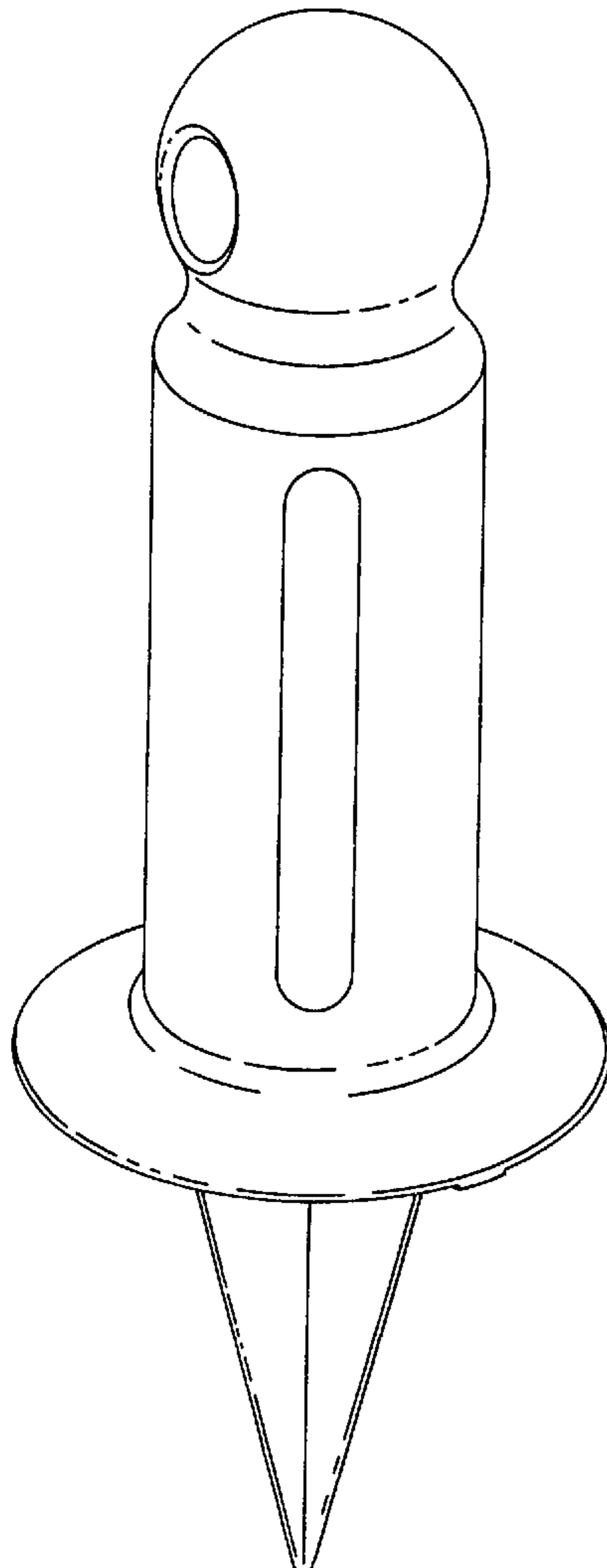


FIG 1

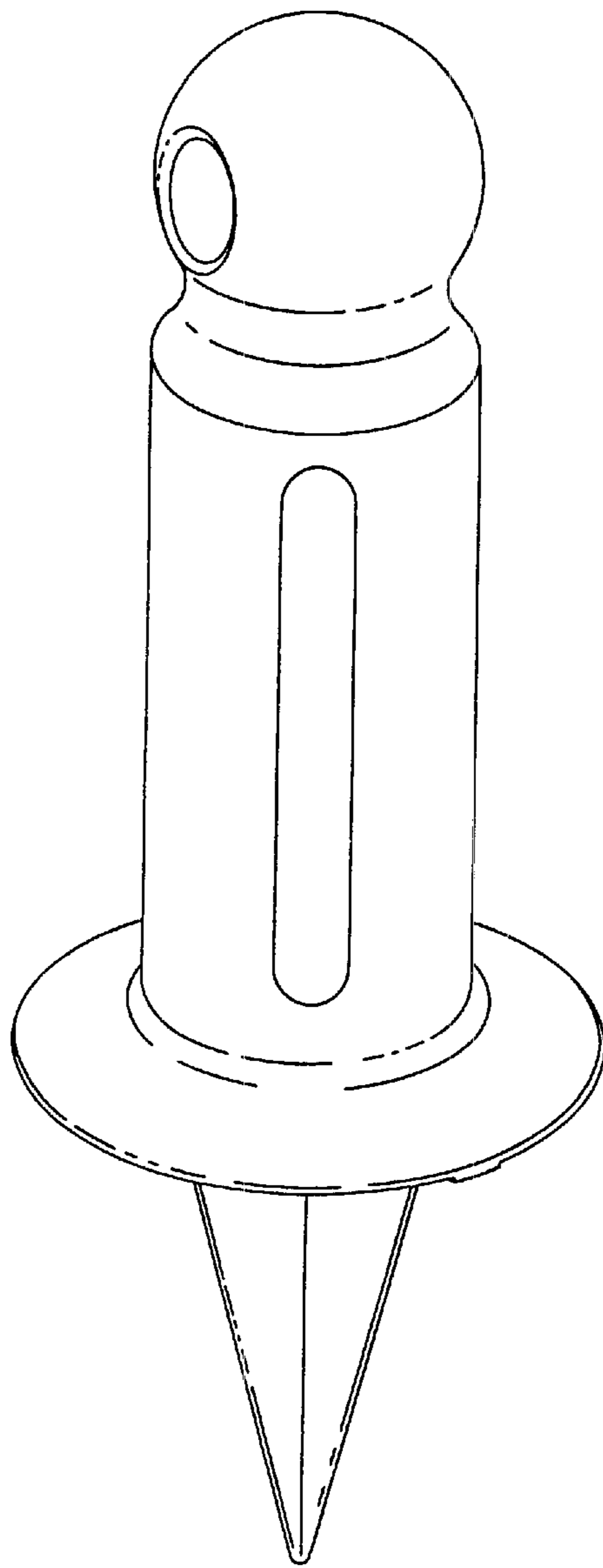


FIG 2

