



US00D461865S

(12) **United States Design Patent**
Nagai et al.

(10) **Patent No.:** **US D461,865 S**

(45) **Date of Patent:** **** Aug. 20, 2002**

(54) **SOLE FOR A GOLF CLUB WOOD**

(75) Inventors: **Masao Nagai**, Duluth, GA (US); **Andy Kikidas**, Cobham (GB); **David Llewellyn**, Duluth, GA (US); **Harry Taylor**, Old Hickory, TN (US)

(73) Assignee: **Mizuno Corporation**, Osaka (JP)

(**) Term: **14 Years**

(21) Appl. No.: **29/150,931**

(22) Filed: **Nov. 29, 2001**

(51) **LOC (7) Cl.** **21-02**

(52) **U.S. Cl.** **D21/759**

(58) **Field of Search** D21/733, 752,
D21/753, 759; 473/324, 329-331, 345,
346

(56) **References Cited**

U.S. PATENT DOCUMENTS

D344,998 S	*	3/1994	Greene	D21/752
D383,181 S	*	9/1997	Gorman	D21/752
D435,075 S	*	12/2000	Ota	D21/759
D446,567 S	*	8/2001	Nagai et al.	D21/759

* cited by examiner

Primary Examiner—Mitchell Siegel

(74) *Attorney, Agent, or Firm*—Troutman Sanders LLP; Gerald R. Boss

(57) **CLAIM**

The ornamental design for the sole for a golf club wood, as shown and described.

DESCRIPTION

FIG. 1 is a perspective view of our new design for the sole or bottom surface of a golf club driver, the full outline of which is shown in phantom lines which form no part of the claimed design, throughout the figures;

FIG. 2 is a bottom plan view of the sole shown in FIG. 1 for a golf club;

FIG. 3 is a front elevational view of the sole shown in FIG. 1 for a golf club;

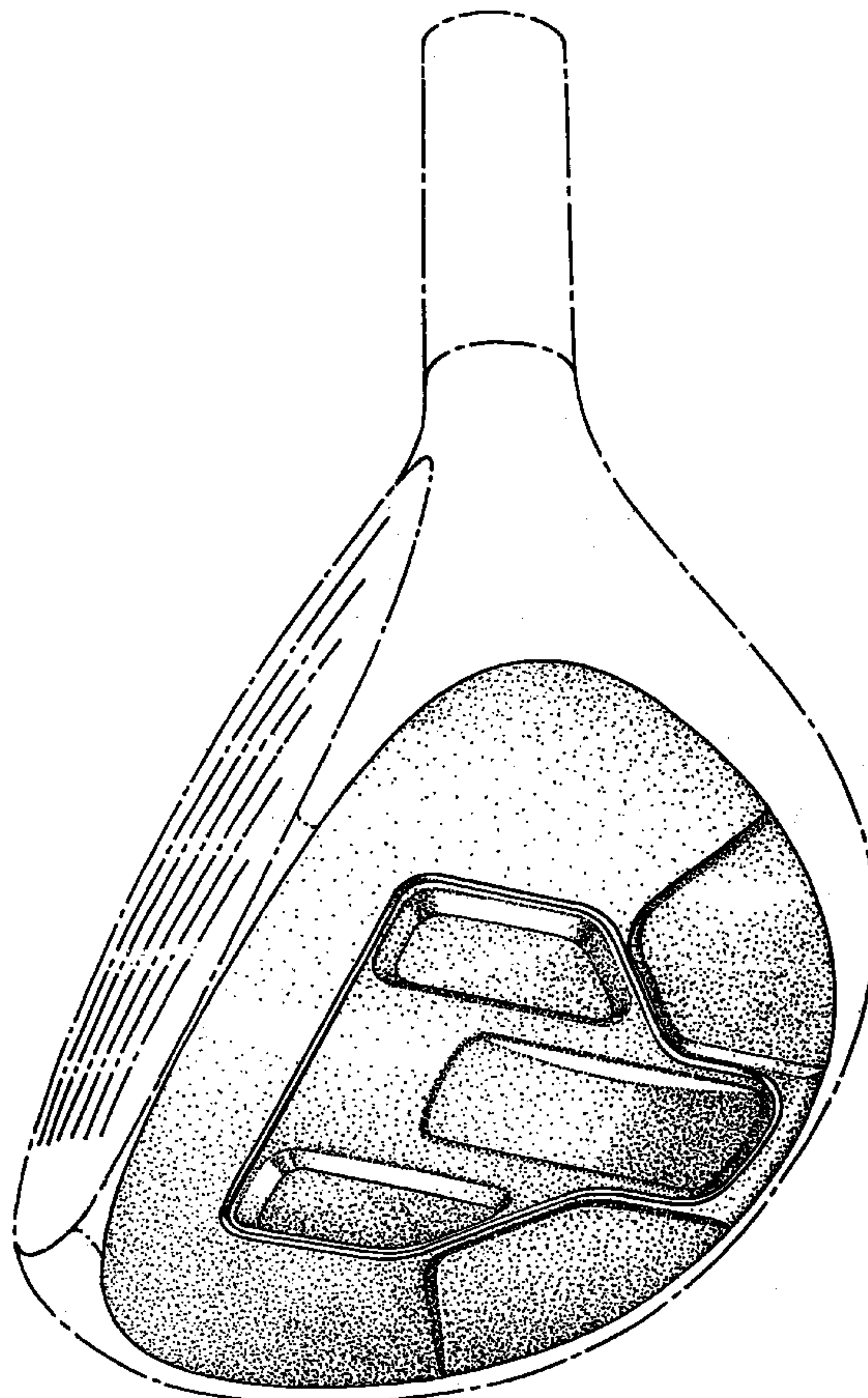
FIG. 4 is a toe side elevational view of the sole shown in FIG. 1 for a golf club;

FIG. 5 is a planar cross-sectional view taken along lines 5—5 FIG. 2 ;

FIG. 6 is a planar cross-sectional view taken along lines 6—6 FIG. 2 ; and,

FIG. 7 is a planar cross-sectional view taken along lines 7—7 in FIG. 2.

1 Claim, 3 Drawing Sheets



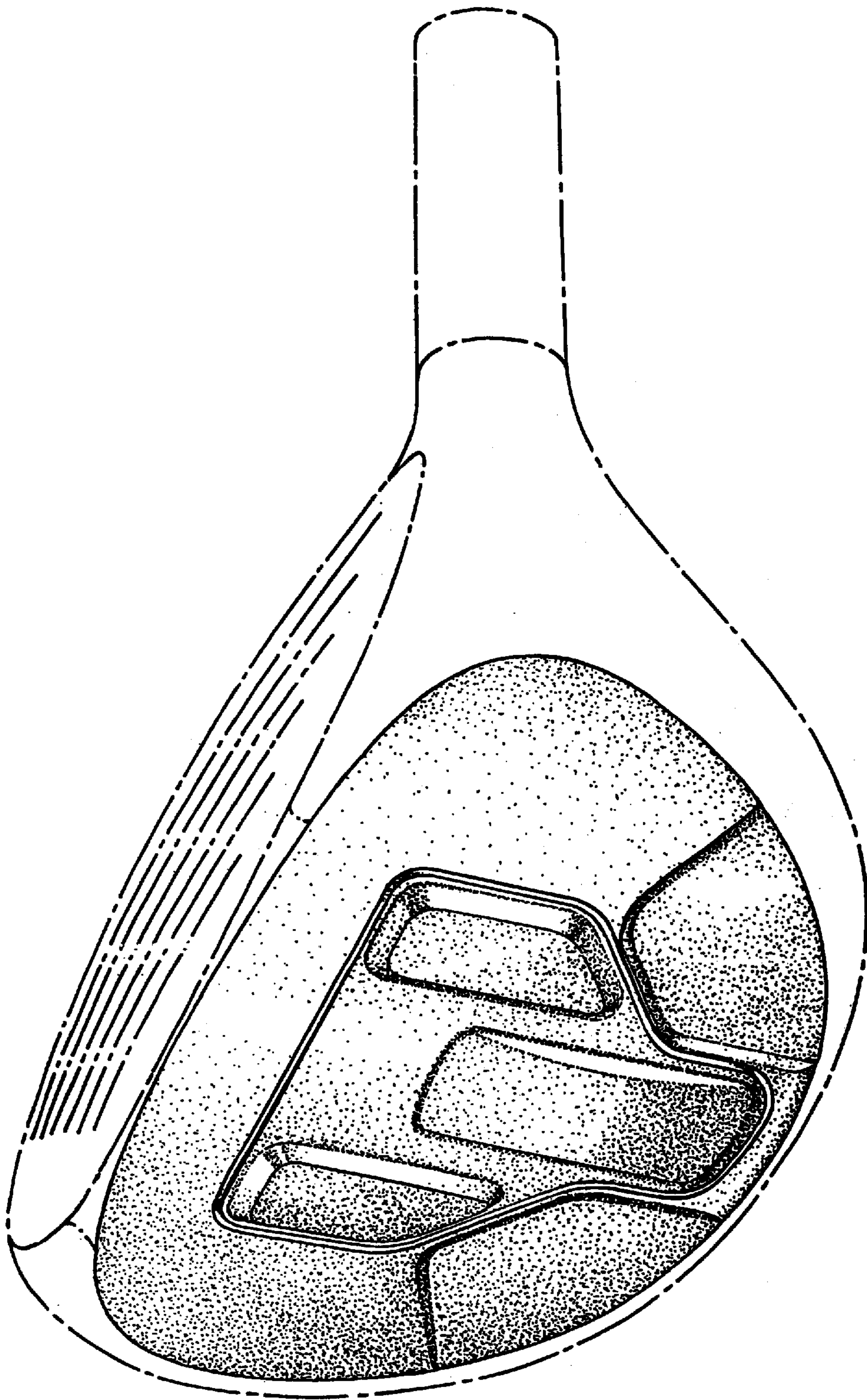


FIG 1

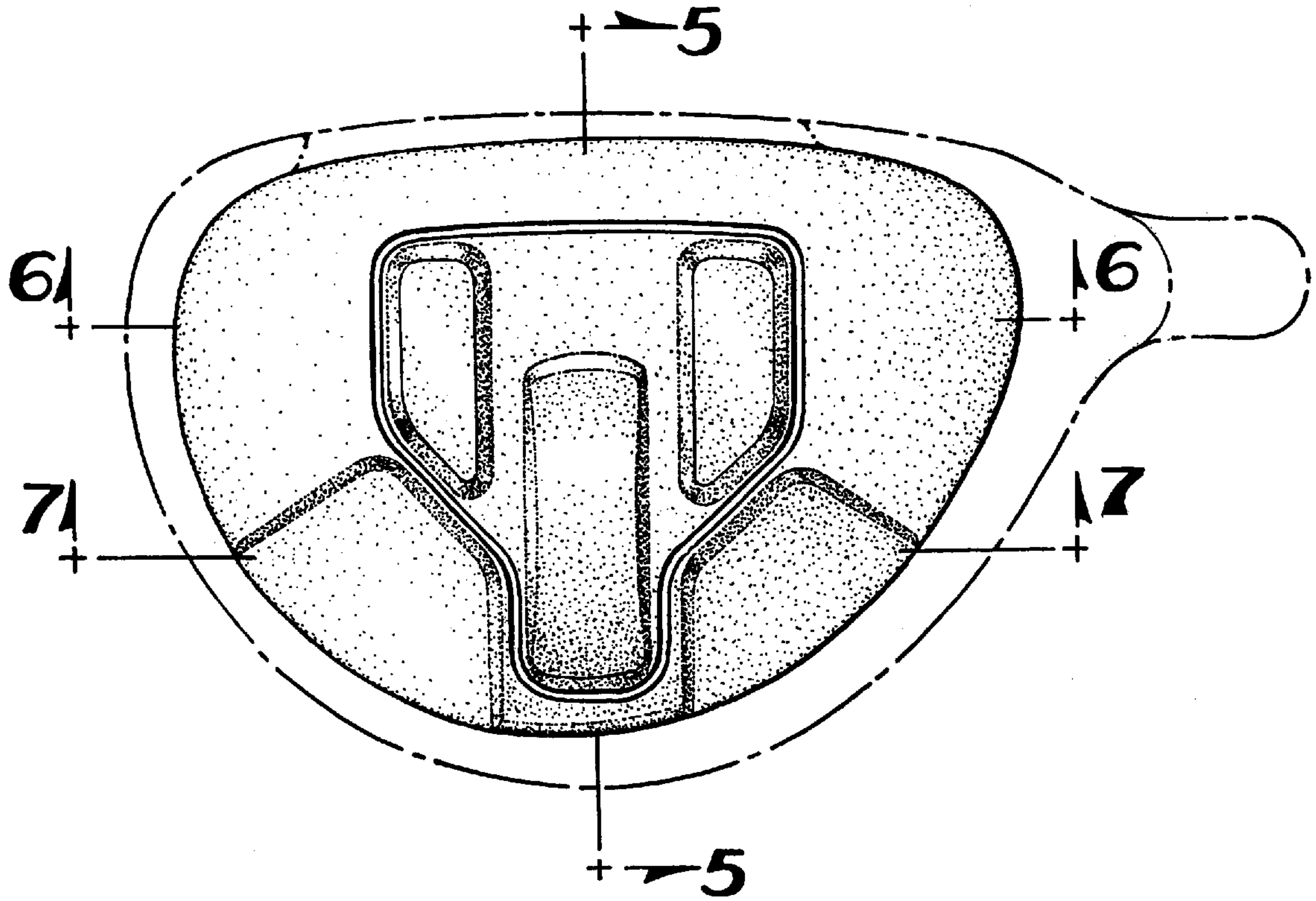


FIG 2

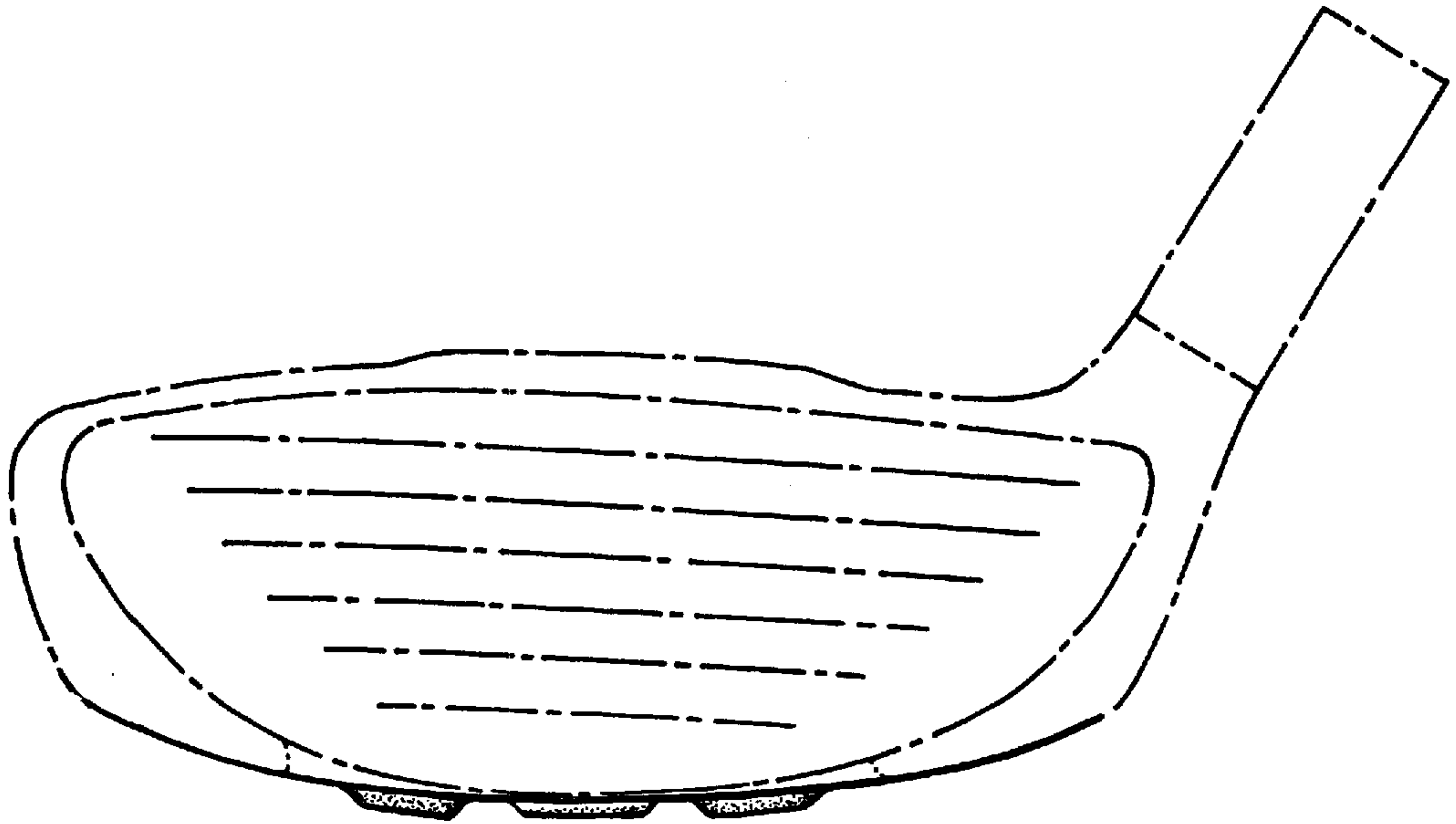


FIG 3

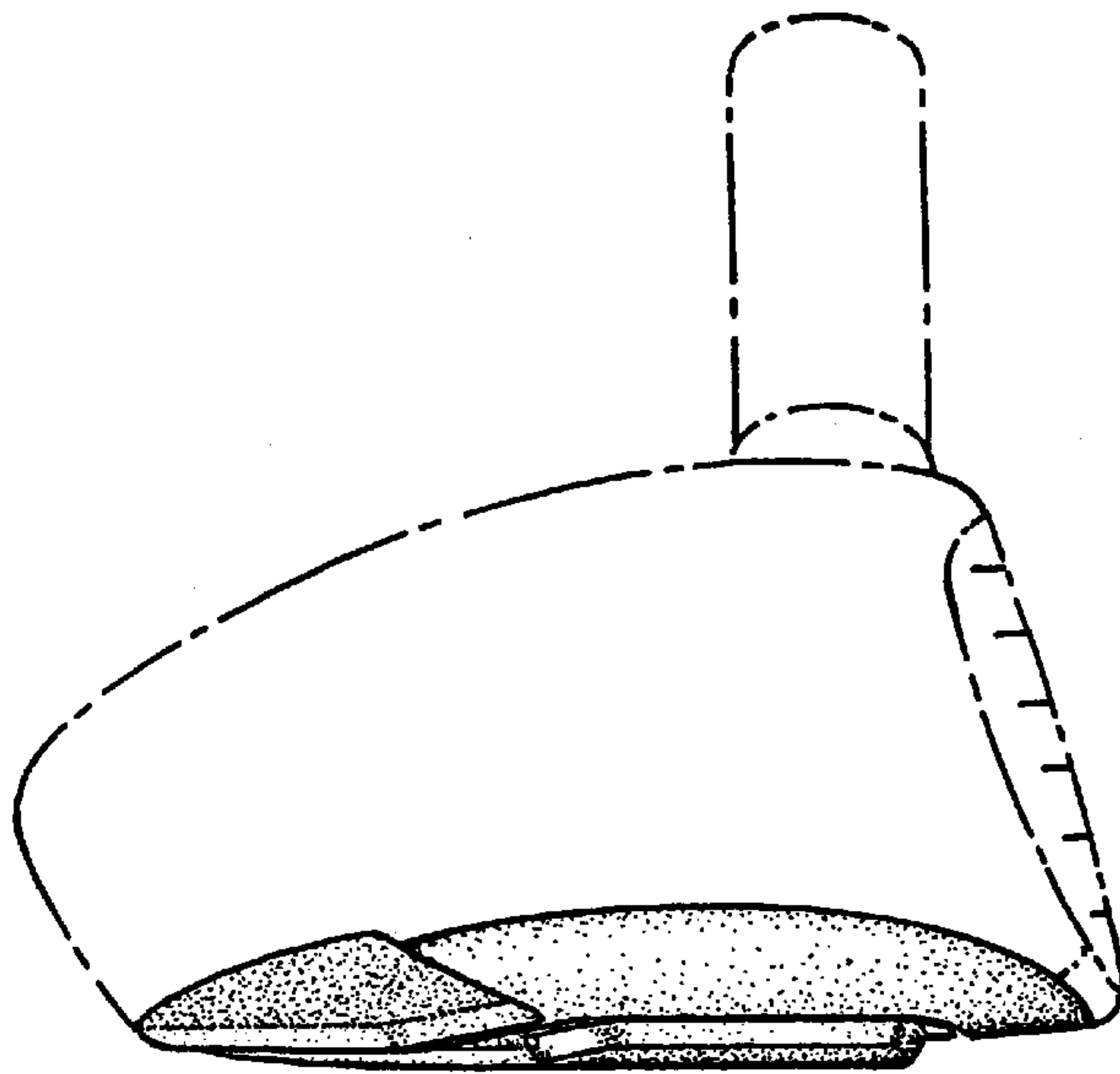


FIG 4



FIG 5



FIG 6



FIG 7