



US00D461861S

(12) **United States Design Patent**
Tang et al.

(10) **Patent No.:** **US D461,861 S**

(45) **Date of Patent:** **** Aug. 20, 2002**

(54) **PUTTER HEAD**

(75) Inventors: **Larry G. Tang**, Carlsbad; **Joshua G. Breier**, San Marcos, both of CA (US)

(73) Assignee: **Callaway Golf Company**, Carlsbad, CA (US)

(**) Term: **14 Years**

(21) Appl. No.: **29/151,945**

(22) Filed: **Dec. 12, 2001**

Related U.S. Application Data

(63) Continuation of application No. 29/147,888, filed on Sep. 7, 2001.

(51) **LOC (7) Cl.** **21-02**

(52) **U.S. Cl.** **D21/742**

(58) **Field of Search** D21/736-746;
473/324, 327, 328, 340, 341, 251-256

(56) **References Cited**

U.S. PATENT DOCUMENTS

- 1,485,272 A 2/1924 Kinsman
- 1,526,951 A 2/1925 Beaumont
- 1,546,612 A 7/1925 Barnes
- 1,569,295 A 1/1926 Munson
- 1,652,404 A 12/1927 Graveure
- 1,654,916 A 1/1928 Boyce
- 1,666,174 A 4/1928 Holland
- 1,703,199 A 2/1929 McClure
- D85,510 S 11/1931 Beach
- D90,924 S 10/1933 Replogle
- 1,960,110 A 6/1934 Iles
- 2,002,631 A 5/1935 Fiondella
- D95,819 S 6/1935 Gourlay
- 2,056,335 A 10/1936 Wettlaufer
- 2,057,821 A 10/1936 Costello
- D104,495 S 5/1937 Gallagher
- 2,156,025 A 4/1939 Paul
- D146,431 S * 3/1947 Liolich D21/742
- 2,447,967 A 8/1948 Stone
- 2,478,468 A 8/1949 Drake

- 2,708,579 A 5/1955 Hugman
- D179,002 S 10/1956 Hoffmeister
- D179,246 S 11/1956 Gillon
- 2,781,197 A 2/1957 Wiley
- 2,838,312 A 6/1958 Drake
- 2,957,696 A 10/1960 Warpotas
- 3,021,141 A 7/1962 Polsky et al.
- 3,064,975 A 11/1962 Smith
- D200,585 S 3/1965 Cefaly
- 3,194,564 A 7/1965 Swan
- 3,220,733 A 11/1965 Saleeby
- 3,300,241 A 1/1967 Eberwein et al.
- 3,310,879 A 3/1967 Brzezinski et al.
- 3,328,032 A 6/1967 Griswold
- 3,333,854 A 8/1967 White
- 3,343,839 A 9/1967 Borah
- D209,294 S 11/1967 Hitt
- 3,357,705 A 12/1967 Blanchard
- 3,408,074 A 10/1968 Antonious
- 3,411,789 A 11/1968 Wariner
- D217,487 S 5/1970 Blake

(List continued on next page.)

OTHER PUBLICATIONS

Advertisement page from Japanese magazine.

Primary Examiner—Mitchell Siegel

(74) *Attorney, Agent, or Firm*—Michael A. Catania

(57) **CLAIM**

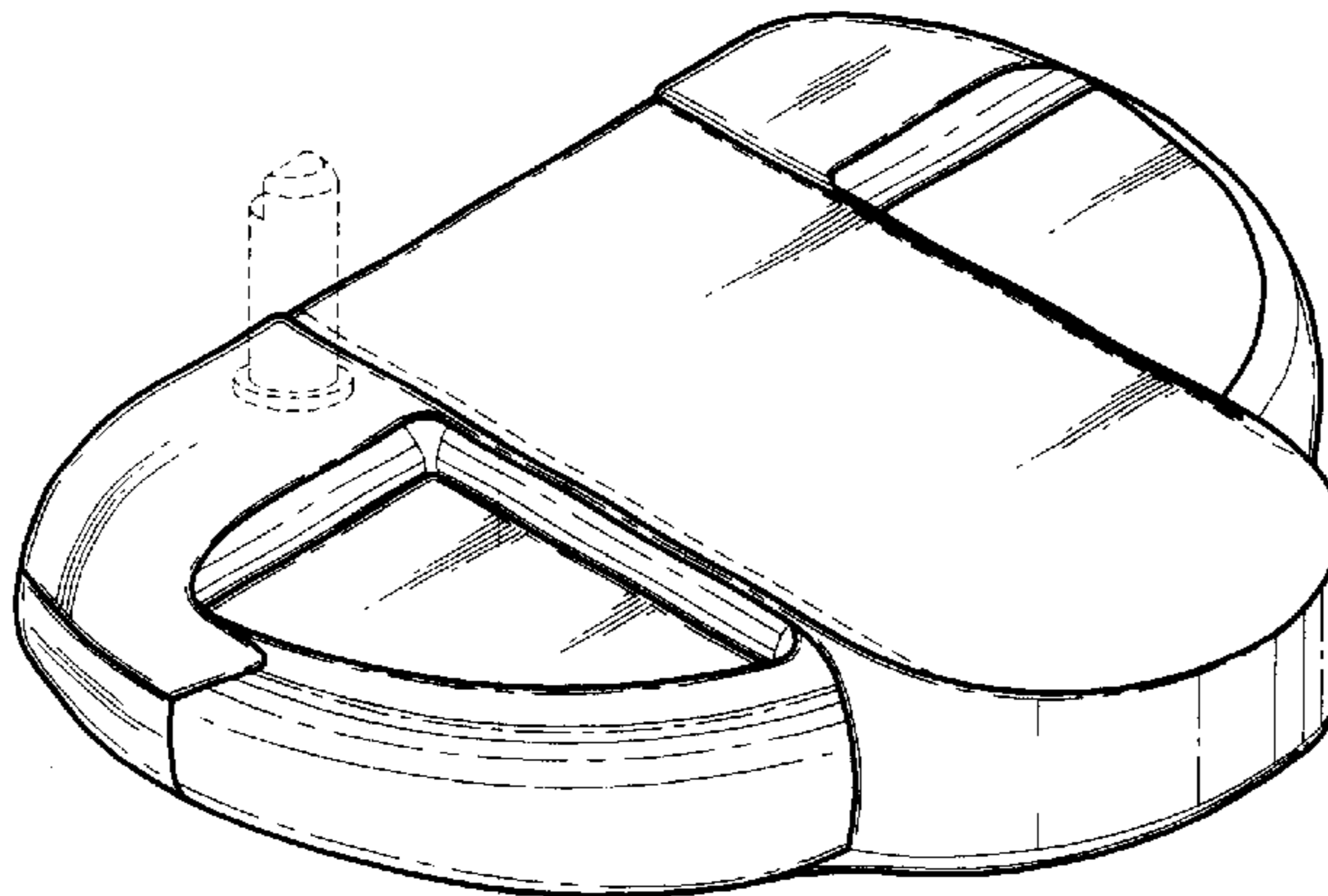
The ornamental design for a putter head, as shown and described.

DESCRIPTION

FIG. 1 is a top perspective view of a golf club putter head; FIG. 2 is a top plan view thereof; FIG. 3 is a bottom plan view thereof; FIG. 4 is a front plan view thereof; FIG. 5 is a rear plan view thereof; FIG. 6 is a heel side view thereof; and, FIG. 7 is a toe side view thereof.

The broken line showing is for illustrative purposes only and forms no part of the claimed design.

1 Claim, 2 Drawing Sheets



US D461,861 S

Page 2

U.S. PATENT DOCUMENTS

3,512,262 A	5/1970	Smyk et al.	D248,050 S	5/1978	Muehl
3,578,332 A	5/1971	Caldwell	D252,221 S	6/1979	Mariani
3,632,112 A	1/1972	Jacobs	4,278,254 A	7/1981	Simjian
3,708,172 A	1/1973	Rango	4,314,701 A	2/1982	Swanson
3,779,398 A	12/1973	Hunter	4,411,431 A	10/1983	Judice
D230,293 S	* 2/1974	Gall D21/745	4,444,395 A	4/1984	Reiss
D230,294 S	* 2/1974	Gall D21/745	4,688,798 A	8/1987	Pelz
D230,615 S	3/1974	Delgadillo	D309,765 S	8/1990	Pelz
3,806,129 A	4/1974	Burrows	D309,766 S	8/1990	Pelz
3,841,640 A	10/1974	Gaulocher	D317,034 S	5/1991	Pelz
3,841,641 A	10/1974	Bennett	D317,962 S	* 7/1991	Pelz D21/735
D233,616 S	11/1974	Verzillo	5,685,784 A	* 11/1997	Butler 473/340
3,884,477 A	5/1975	Bianco	D395,692 S	* 6/1998	Butler D21/742
3,918,720 A	11/1975	Gordos	D422,328 S	* 4/2000	Lannoch D21/743
D241,563 S	9/1976	McCord	D448,437 S	* 9/2001	Colucci D21/736
D245,437 S	8/1977	Thiel			

* cited by examiner

FIG. 1

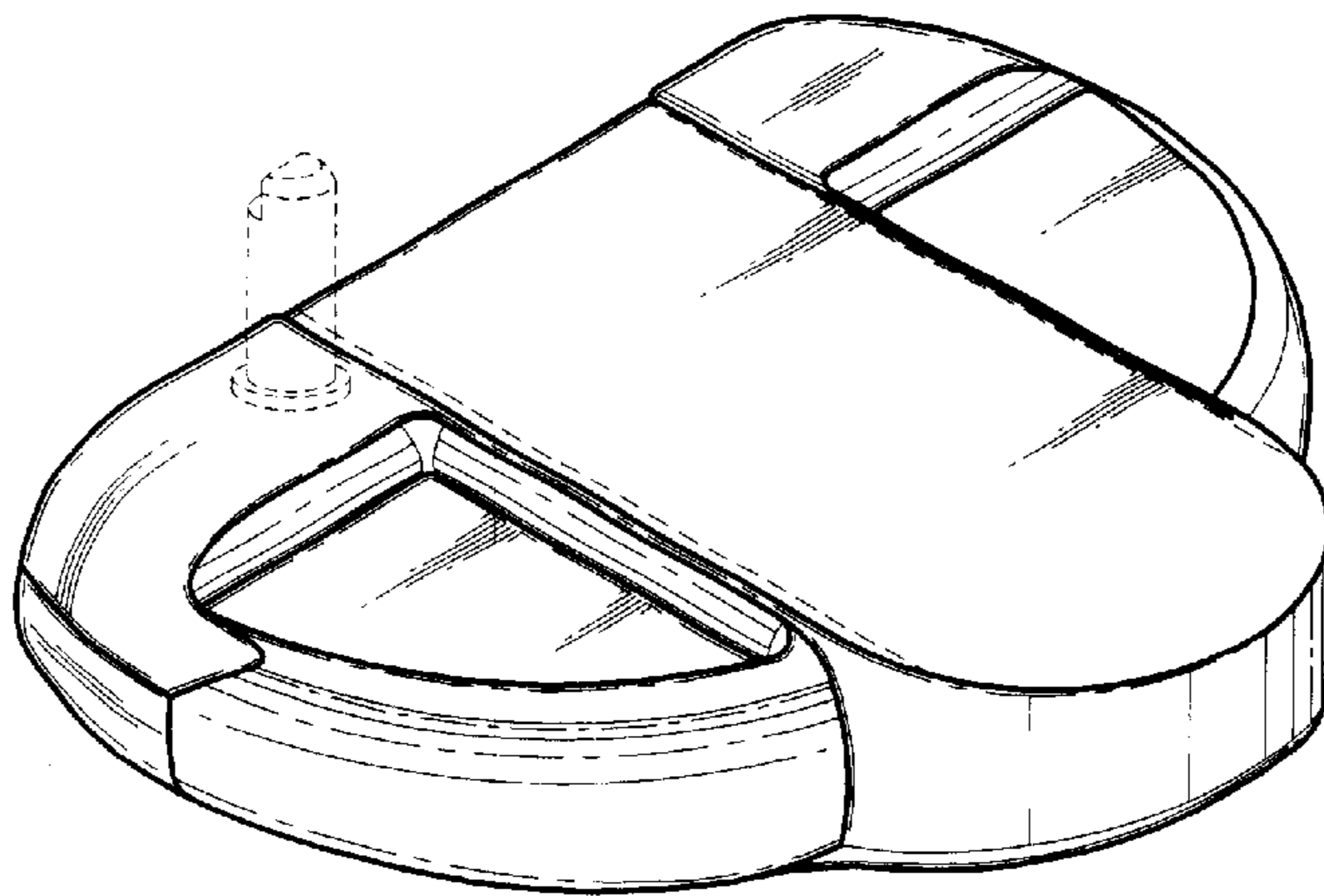


FIG. 2

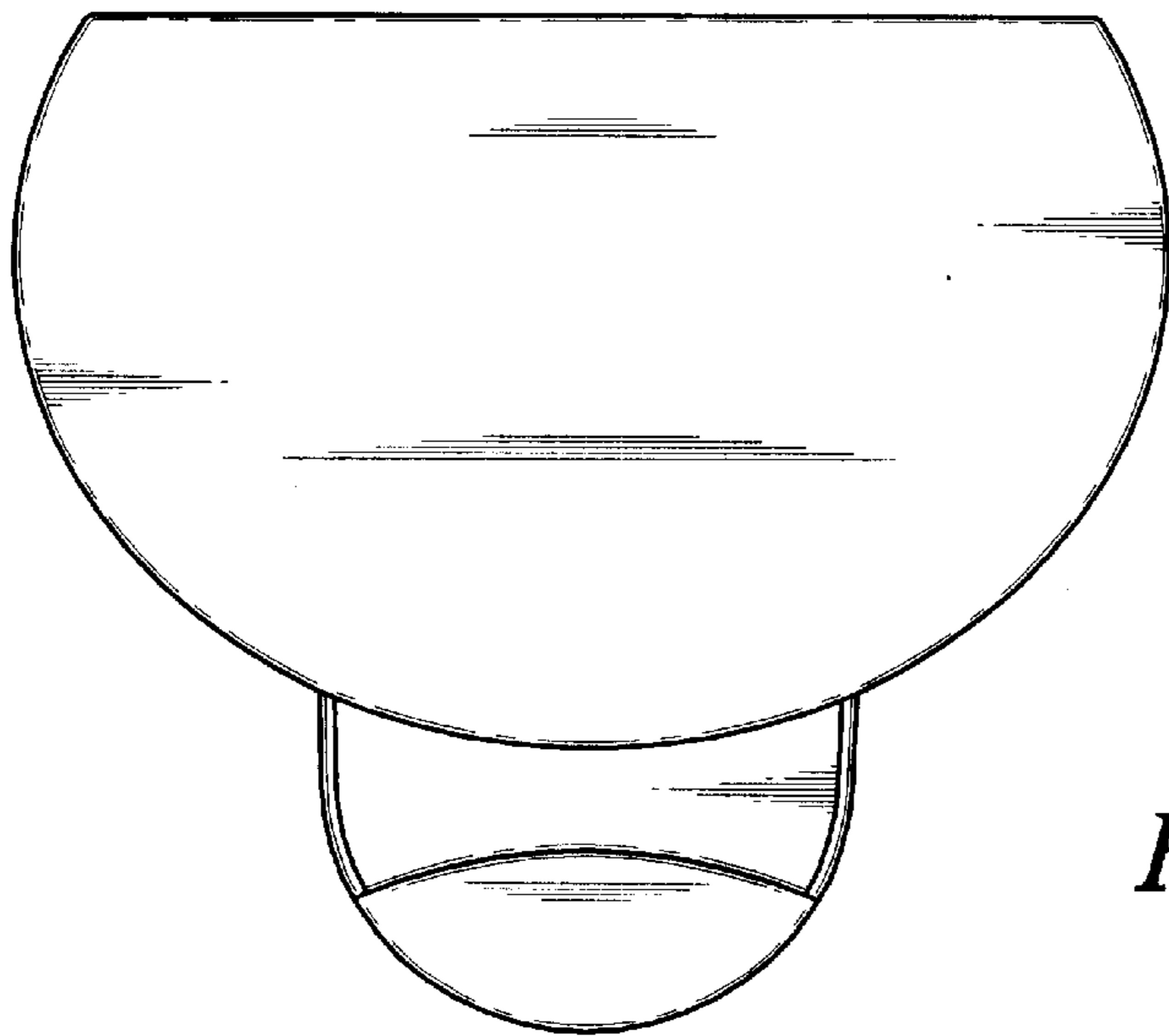
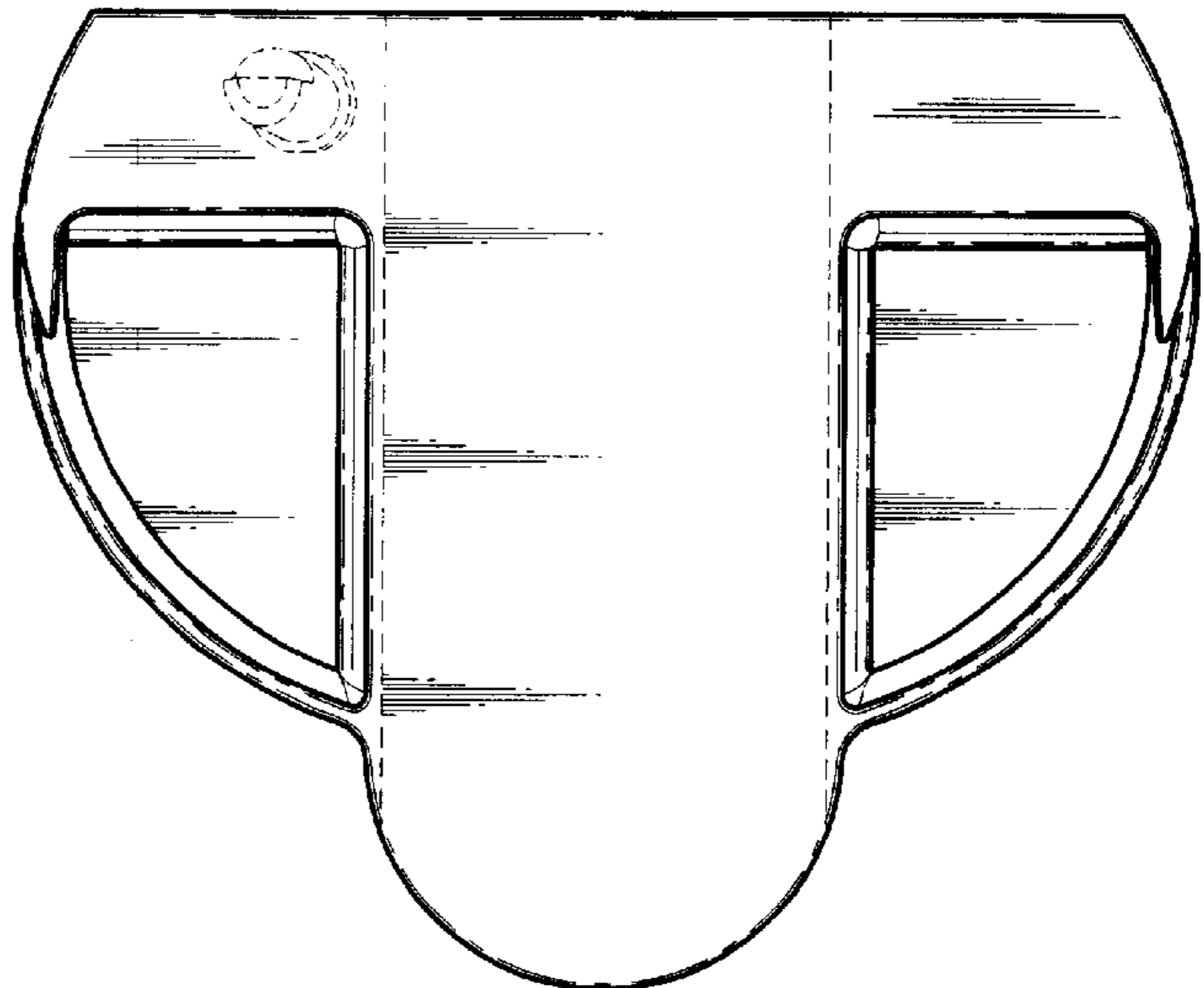


FIG. 3

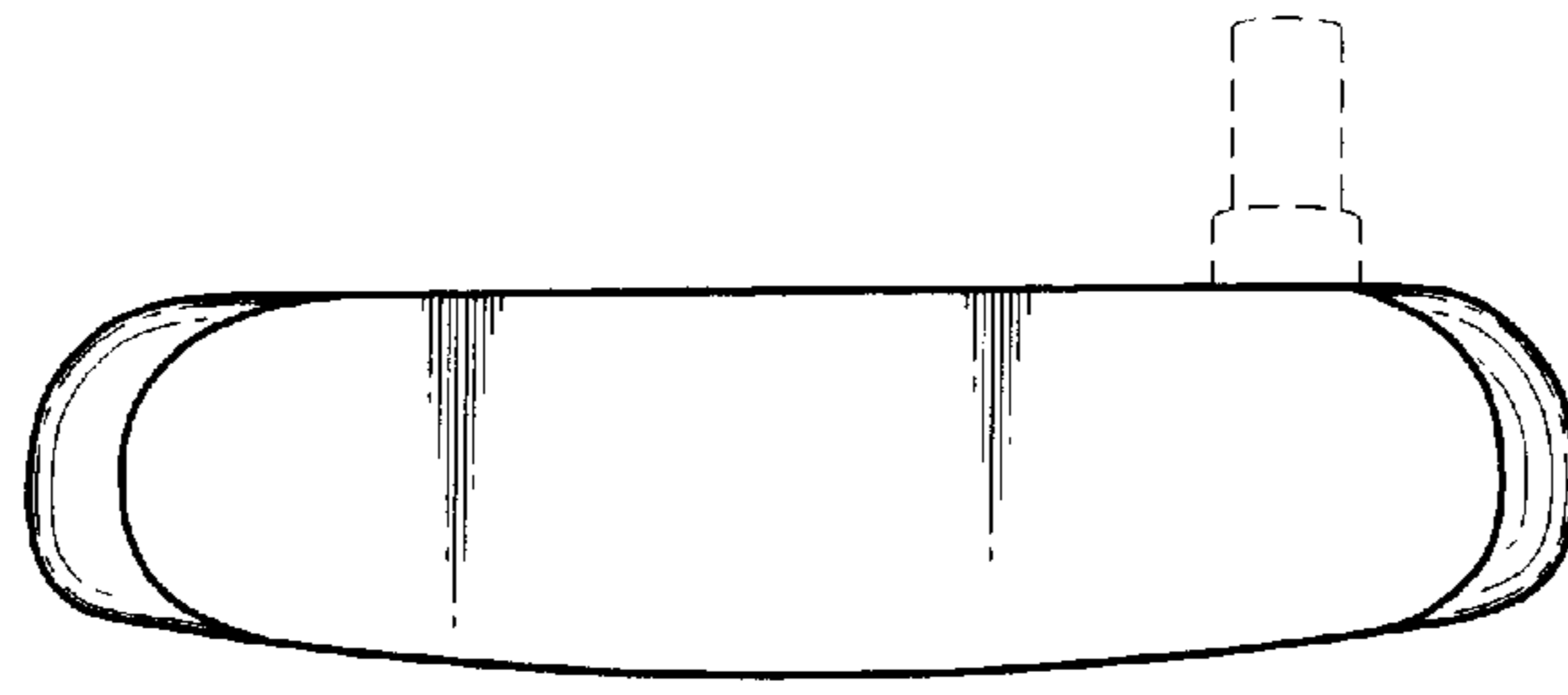


FIG. 4

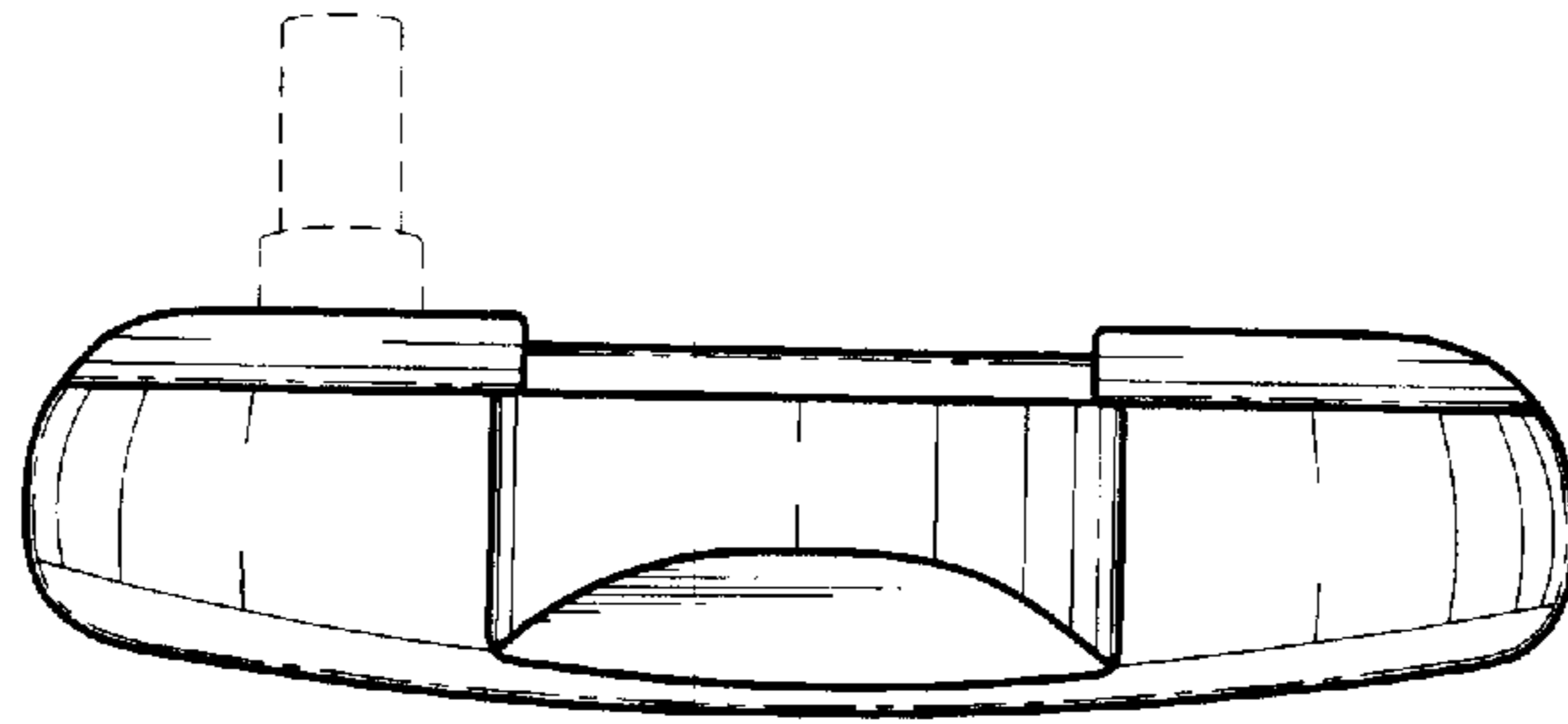


FIG. 5

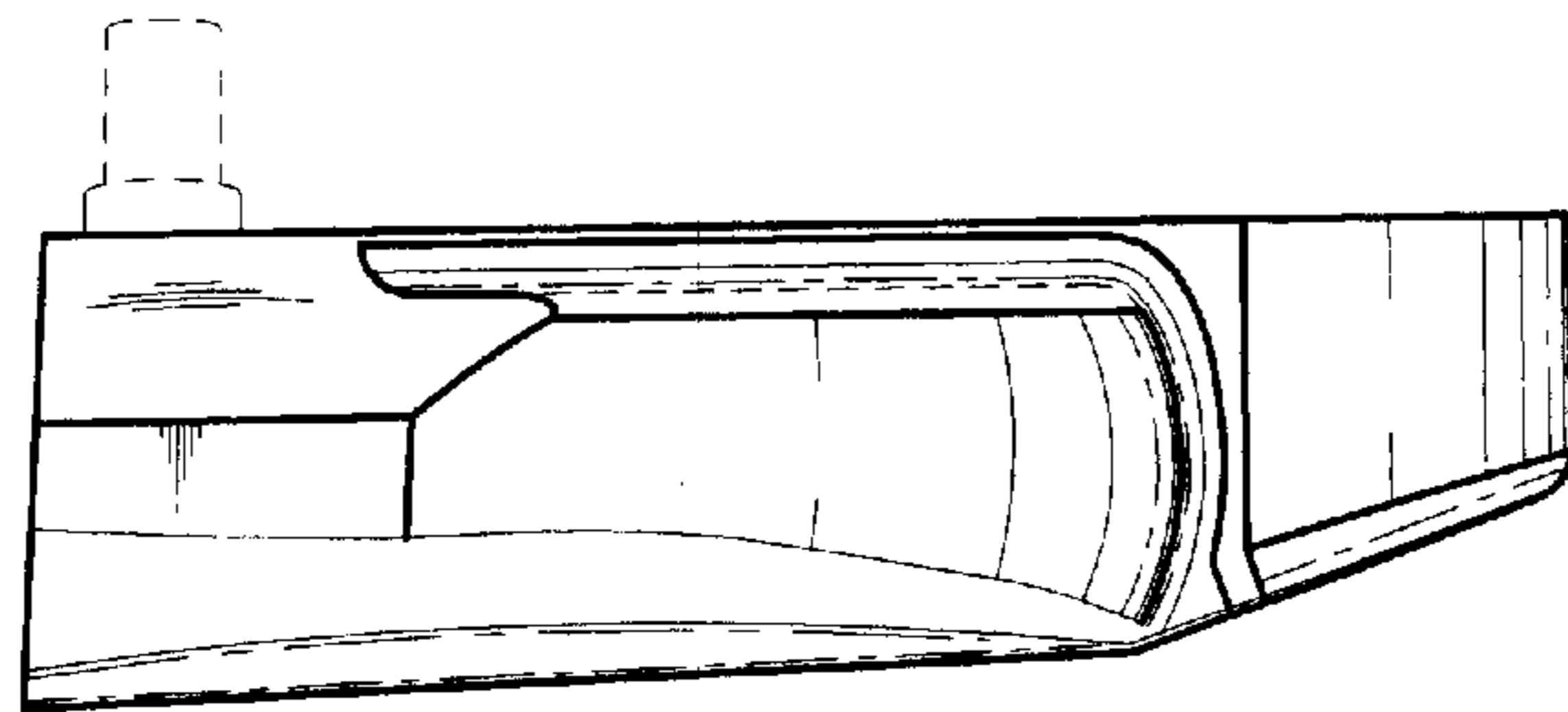


FIG. 6

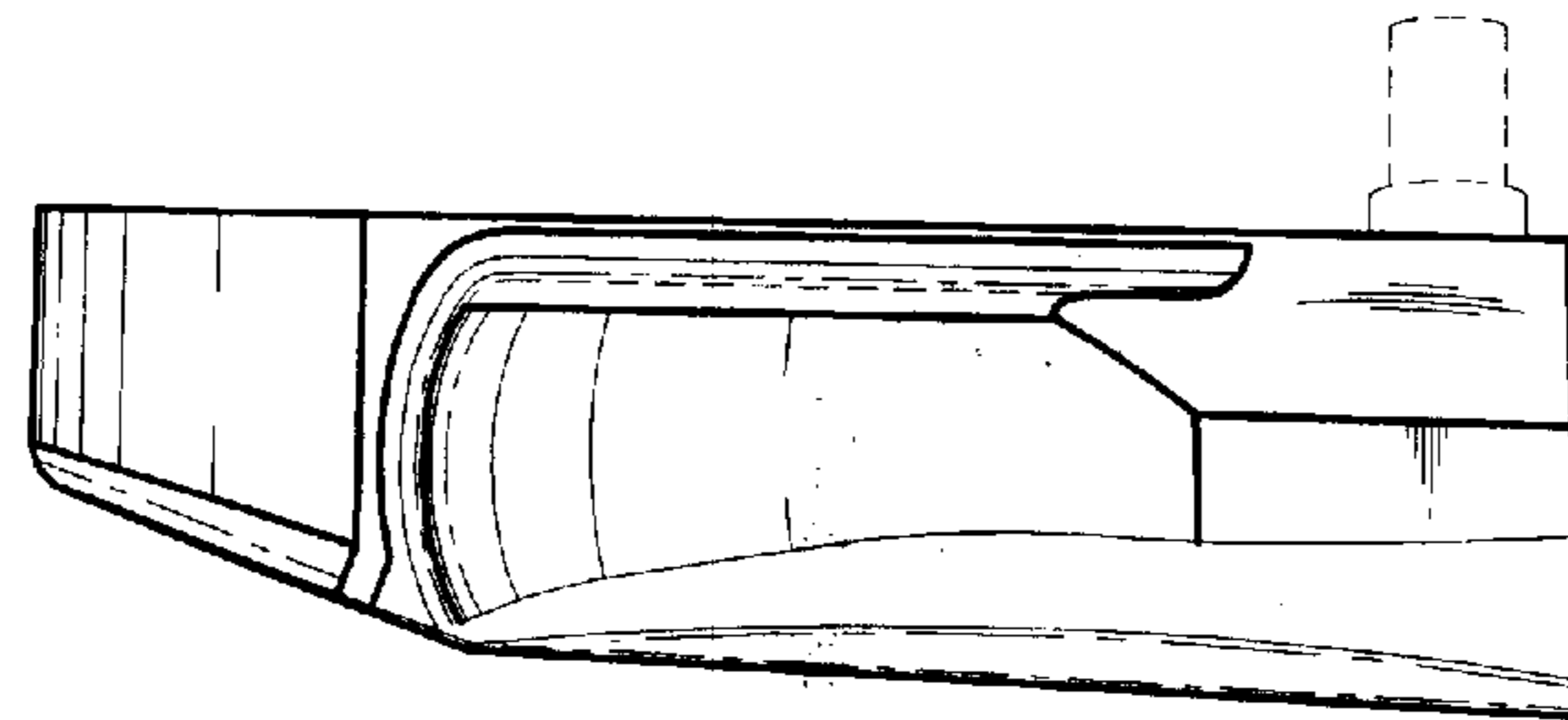


FIG. 7