



US00D461860S

(12) **United States Design Patent**
Tang

(10) **Patent No.:** **US D461,860 S**

(45) **Date of Patent:** **** Aug. 20, 2002**

- (54) **GOLF CLUB PUTTER HEAD**
- (75) Inventor: **Larry G. Tang**, Carlsbad, CA (US)
- (73) Assignee: **Callaway Golf Company**, Carlsbad, CA (US)
- (**) Term: **14 Years**
- (21) Appl. No.: **29/151,313**
- (22) Filed: **Dec. 3, 2001**

Related U.S. Application Data

- (63) Continuation-in-part of application No. 29/147,888, filed on Sep. 7, 2001.
- (51) **LOC (7) Cl.** **21-02**
- (52) **U.S. Cl.** **D21/742**
- (58) **Field of Search** D21/736-746;
473/324, 327, 328, 340, 341, 251-256

(56) **References Cited**

U.S. PATENT DOCUMENTS

1,485,272 A	2/1924	Kinsman	
1,526,951 A	2/1925	Beaumont	
1,546,612 A	7/1925	Barnes	
1,569,295 A	1/1926	Munson	
1,652,404 A	12/1927	Graveure	
1,654,916 A	1/1928	Boyce	
1,666,174 A	4/1928	Holland	
1,703,199 A	2/1929	McClure	
D85,510 S	11/1931	Beach	
D90,924 S	10/1933	Replogle	
1,960,110 A	5/1934	Iles	
2,002,631 A	5/1935	Fiondella	
D95,819 S	6/1935	Gourlay	
2,056,335 A	10/1936	Wettlaufer	
2,057,821 A	10/1936	Costello	
D104,495 S	5/1937	Gallagher	
2,156,025 A	4/1939	Paul	
D146,431 S	* 3/1947	Liolich D21/742
2,447,967 A	8/1948	Stone	

2,478,468 A	8/1949	Drake	
2,708,579 A	5/1955	Hugman	
D179,002 S	10/1956	Hoffmeister	
D179,246 S	11/1956	Gillon	
2,781,197 A	2/1957	Wiley	
2,838,312 A	6/1958	Drake	
2,957,696 A	10/1960	Warpotas	
3,021,141 A	7/1962	Polsky et al.	
3,064,975 A	11/1962	Smith	
D200,585 S	3/1965	Cefaly	
3,194,564 A	7/1965	Swan	
3,220,733 A	11/1965	Saleeby	
3,300,241 A	1/1967	Eberwein et al.	
3,310,879 A	3/1967	Brzezinski et al.	
3,328,032 A	6/1967	Griswold	
3,333,854 A	8/1967	White	
3,343,839 A	9/1967	Borah	
D209,294 S	11/1967	Hitt	
3,357,705 A	12/1967	Blanchard	
3,408,074 A	10/1968	Antonious	
3,411,789 A	11/1968	Wariner	
D217,487 S	5/1970	Blake	
3,512,262 A	5/1970	Smyk et al.	
3,578,332 A	5/1971	Caldwell	
3,632,112 A	1/1972	Jacobs	
3,708,182 A	1/1973	Rango	
3,779,398 A	12/1973	Hunter	
D230,293 S	* 2/1974	Gall D21/745

(List continued on next page.)

Primary Examiner—Mitchell Siegel
(74) *Attorney, Agent, or Firm*—Michael A. Catania

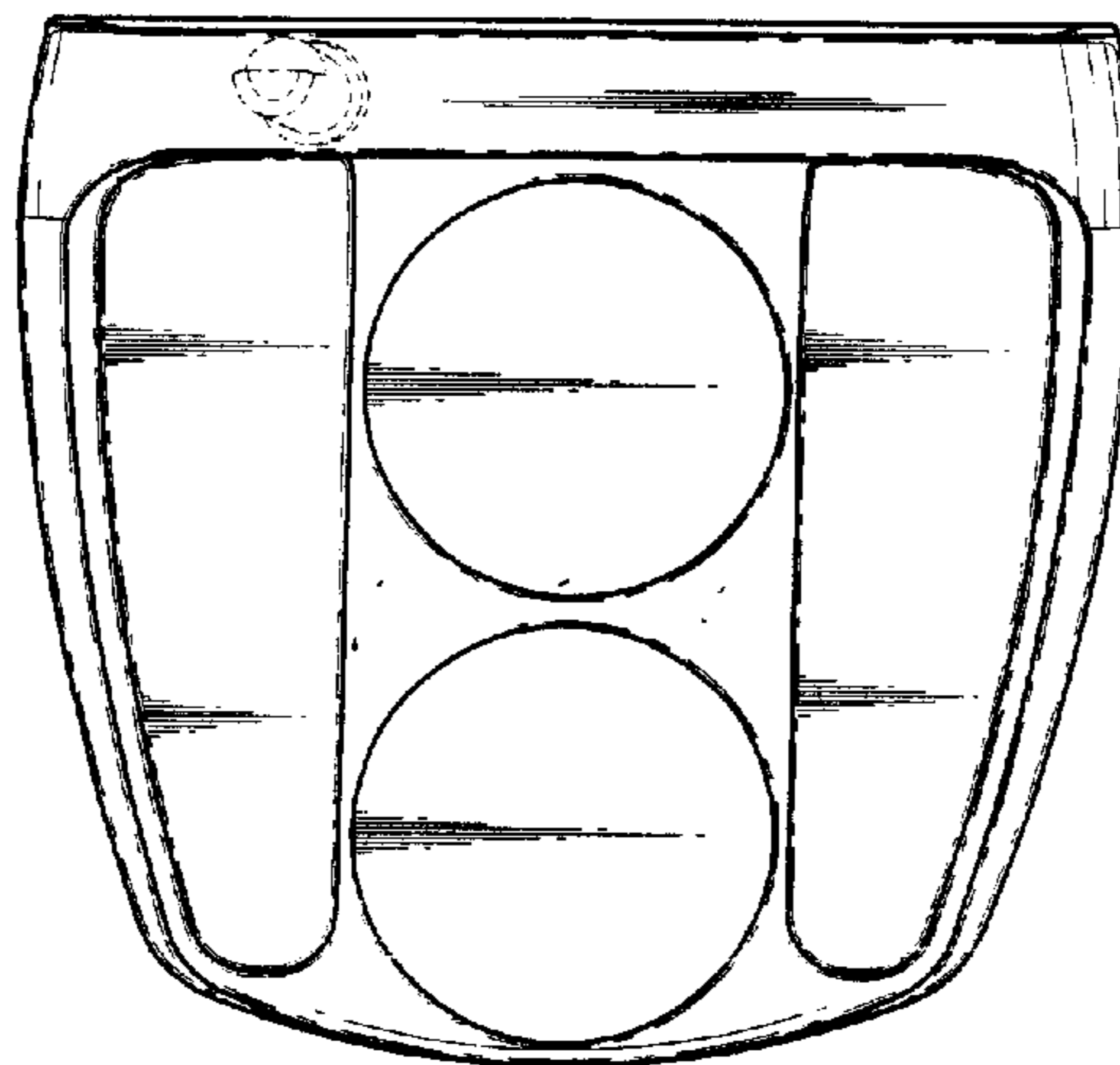
(57) **CLAIM**

The ornamental design for a golf club putter head, as shown and described.

DESCRIPTION

FIG. 1 is a top plan view of a golf club putter head; FIG. 2 is a bottom plan view thereof; FIG. 3 is a left side view thereof; and, FIG. 4 is a right side view thereof.

1 Claim, 1 Drawing Sheet



US D461,860 S

Page 2

U.S. PATENT DOCUMENTS

D230,294 S	*	2/1974	Gall	D21/745	4,314,701 A	2/1982	Swanson	
D230,615 S		3/1974	Delgadillo		4,411,431 A	10/1983	Judice	
3,806,129 A		4/1974	Burrows		4,444,395 A	4/1984	Reiss	
3,841,640 A		10/1974	Gaulocher		4,688,798 A	8/1987	Pelz	
3,841,641 A		10/1974	Bennett		D309,765 S	8/1990	Pelz	
D233,616 S		11/1974	Verzillo		D309,766 S	8/1990	Pelz	
3,884,477 A		5/1975	Bianco		D317,034 S	5/1991	Pelz	
3,918,720 A		11/1975	Gordos		D317,962 S	* 7/1991	Pelz	D21/735
D241,563 S		9/1976	McCord		5,685,784 A	* 11/1997	Butler	473/340
D245,437 S		8/1977	Thiel		D395,692 S	* 6/1998	Butler	D21/742
D248,050 S		5/1978	Muehl		D422,328 S	* 4/2000	Lannoch	D21/743
D252,221 S		6/1979	Mariani		D448,437 S	* 9/2001	Colucci	D21/736
4,278,254 A		7/1981	Simjian					

* cited by examiner

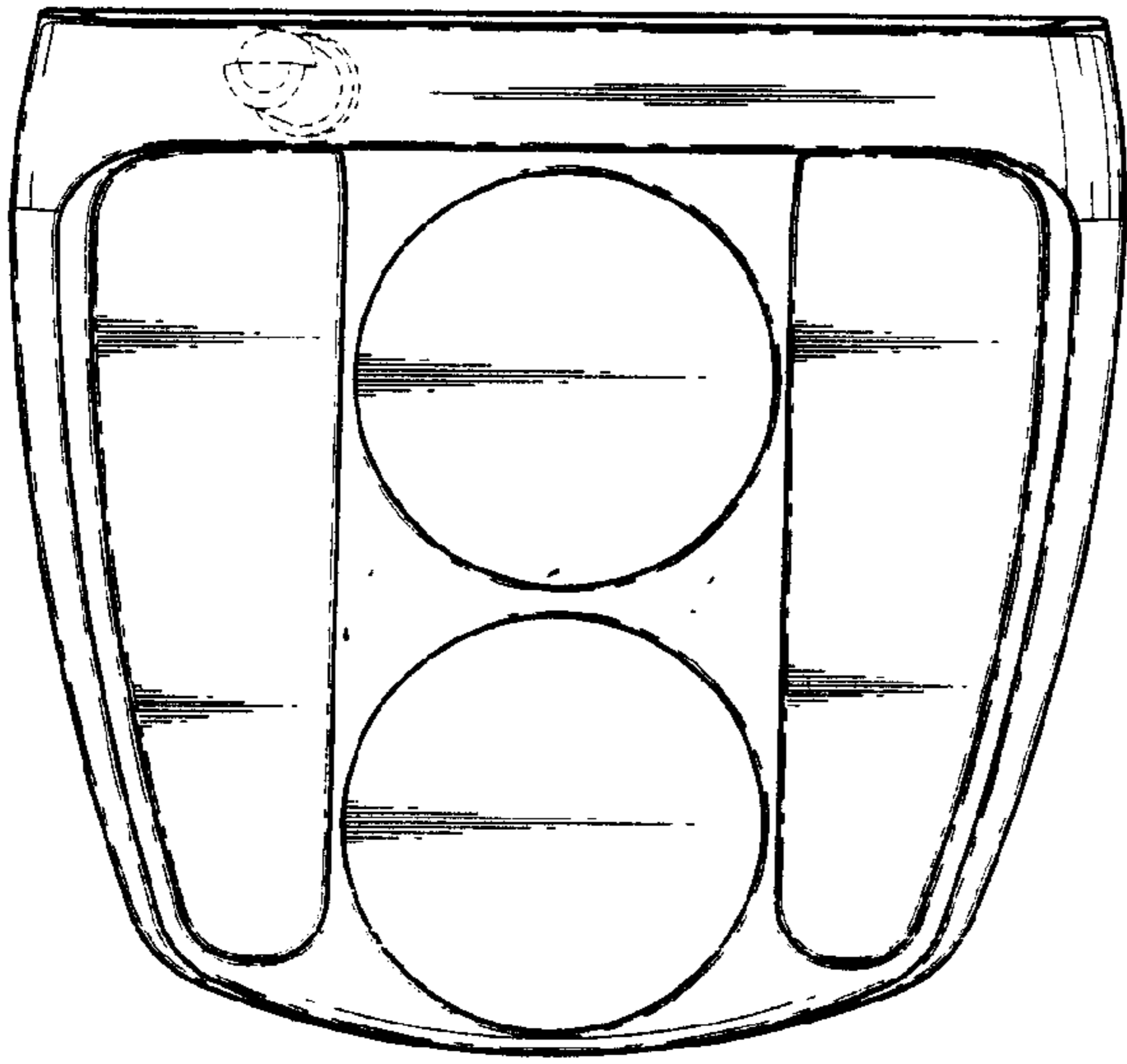


FIG. 1

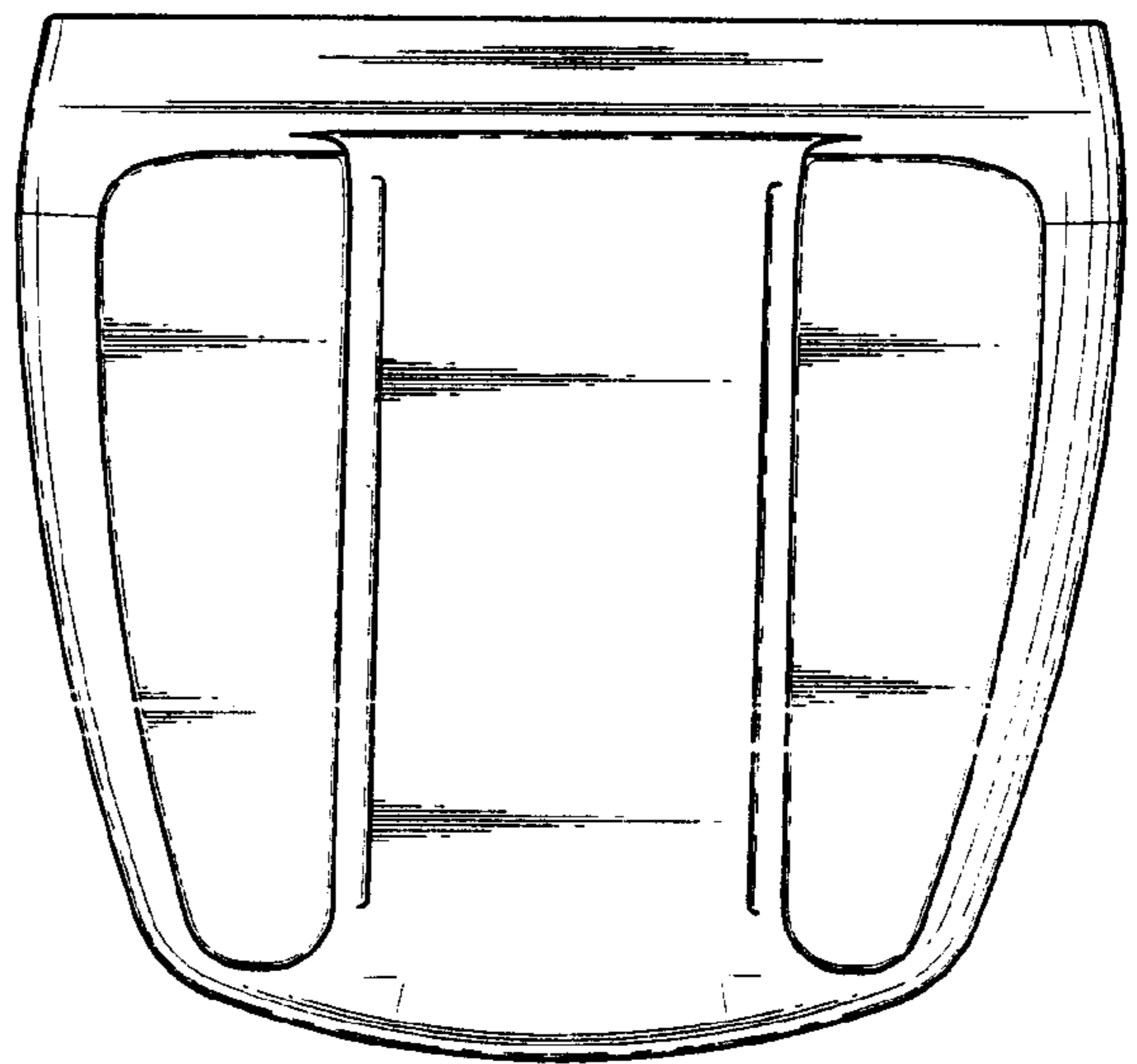


FIG. 2

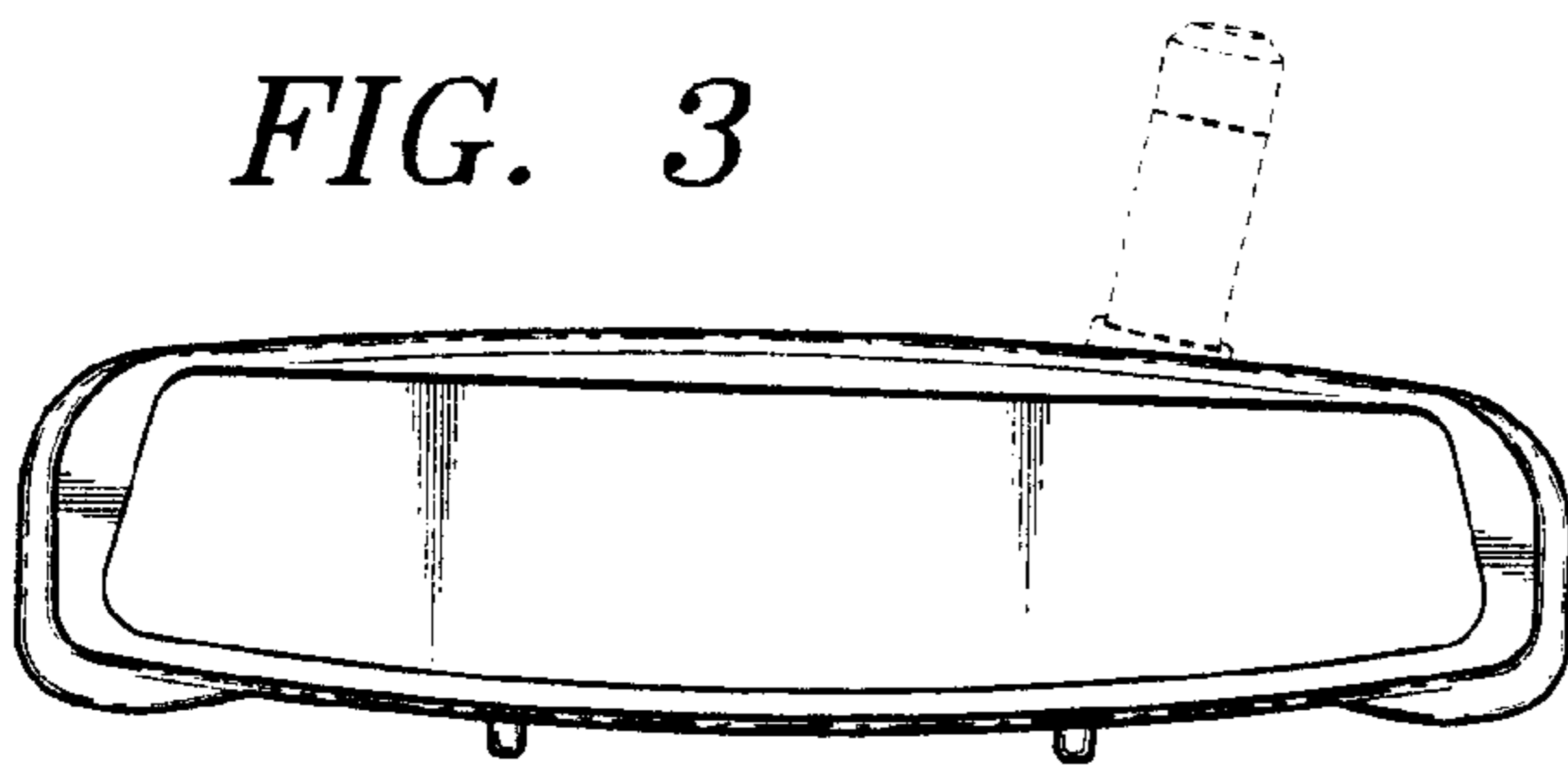


FIG. 3



FIG. 4