



US00D461855S

(12) **United States Design Patent**  
**Ewert**

(10) **Patent No.:** **US D461,855 S**

(45) **Date of Patent:** **\*\* Aug. 20, 2002**

(54) **BATTLE ROBOT**

(76) **Inventor:** **Terry Ewert**, 814 E. First Ave.,  
Dorchester, WI (US) 54425

(\*\*) **Term:** **14 Years**

(21) **Appl. No.:** **29/146,620**

(22) **Filed:** **Aug. 13, 2001**

(51) **LOC (7) Cl.** ..... **21-01**

(52) **U.S. Cl.** ..... **D21/533**

(58) **Field of Search** ..... D21/578-580,  
D21/533, 548-551, 567, 656, 539, 447,  
451; D15/14; D9/308; 446/97, 175, 297,  
457, 71, 436, 437, 231, 289-290, 273,  
294, 465, 376

(56) **References Cited**

**U.S. PATENT DOCUMENTS**

4,051,623	A	*	10/1977	Ogawa	.....	446/290
D278,643	S	*	4/1985	Ogawa	.....	D21/582
D301,355	S	*	5/1989	Doi	.....	D21/581
D301,357	S	*	5/1989	Kunihiro	.....	D21/580

D301,358	S	*	5/1989	Kunihiro	.....	D21/582
D305,919	S	*	2/1990	Shibukawa	.....	D21/584
D318,500	S	*	7/1991	Malewicki	.....	D21/578
5,281,182	A	*	1/1994	Yoneda	.....	446/289
5,525,090	A	*	6/1996	Halford	.....	446/465

\* cited by examiner

*Primary Examiner*—Raphael Barkai

(74) *Attorney, Agent, or Firm*—Kinney & Lange, P.A.

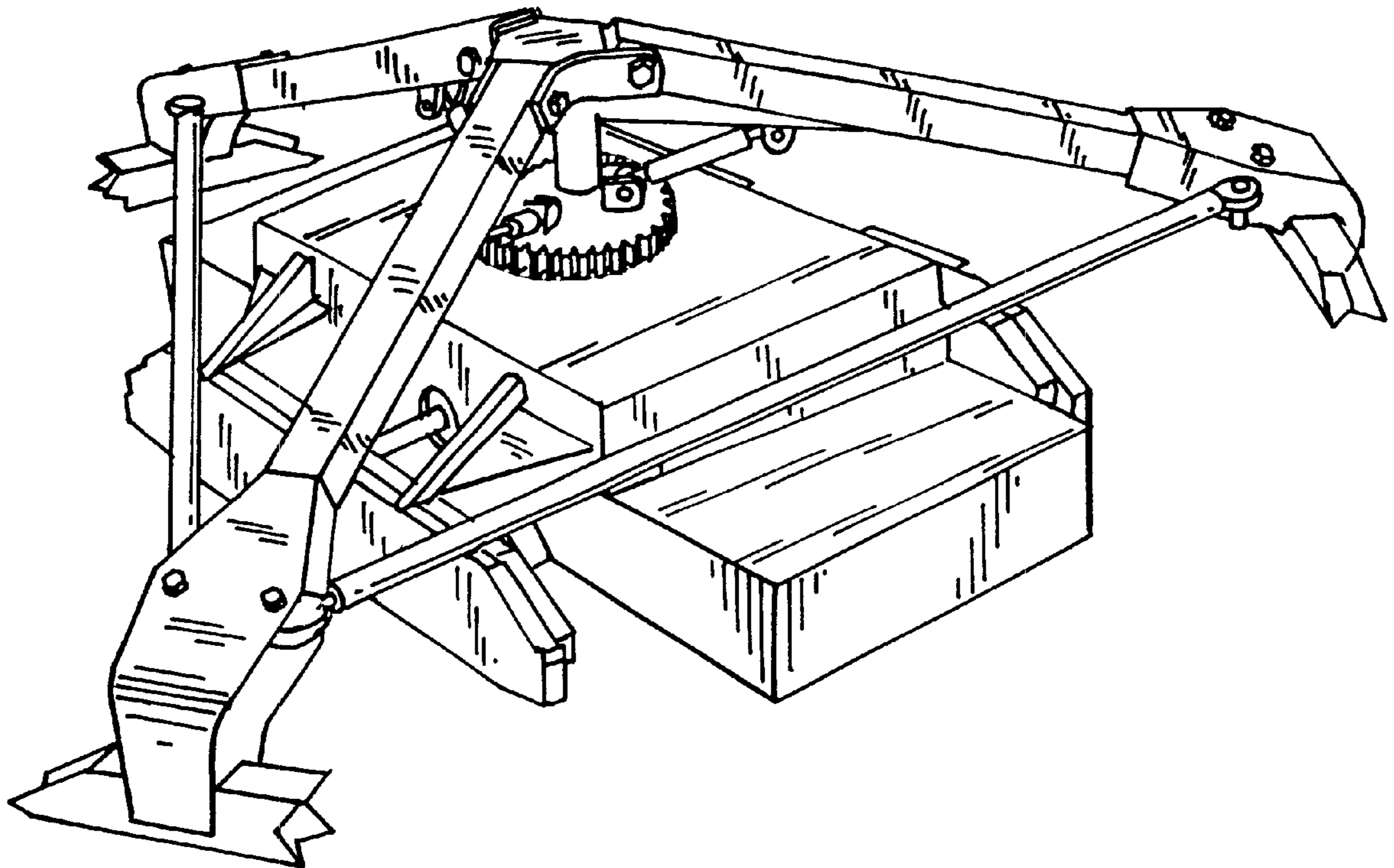
(57) **CLAIM**

The ornamental design for a battle robot, as shown and described.

**DESCRIPTION**

FIG. 1 is a perspective view of a battle robot showing my new design;  
 FIG. 2 is a top view thereof;  
 FIG. 3 is a rear view thereof;  
 FIG. 4 is a left side view thereof;  
 FIG. 5 is a right side view thereof;  
 FIG. 6 is a front view thereof; and,  
 FIG. 7 is a bottom view thereof.

**1 Claim, 7 Drawing Sheets**



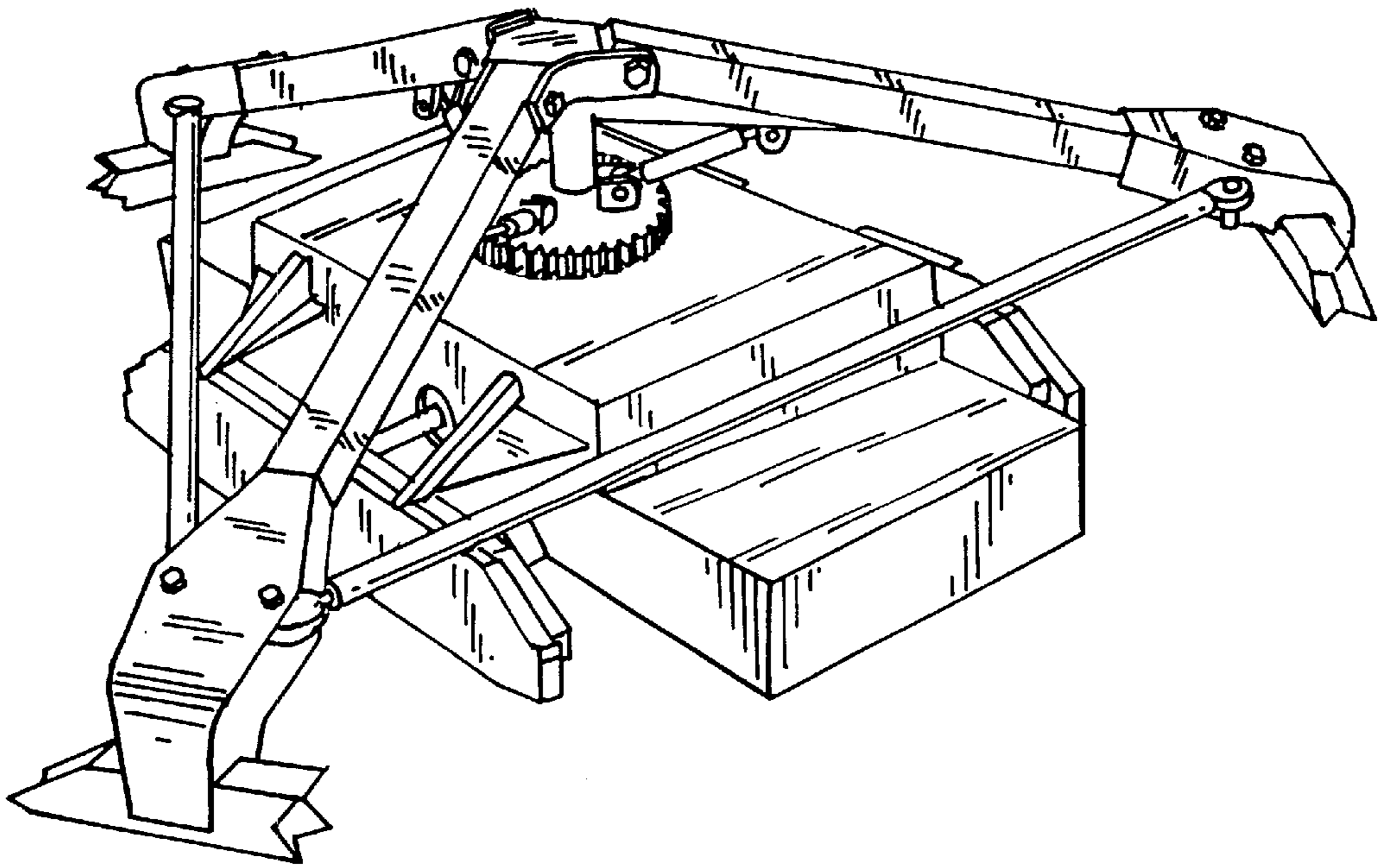


FIG. 1

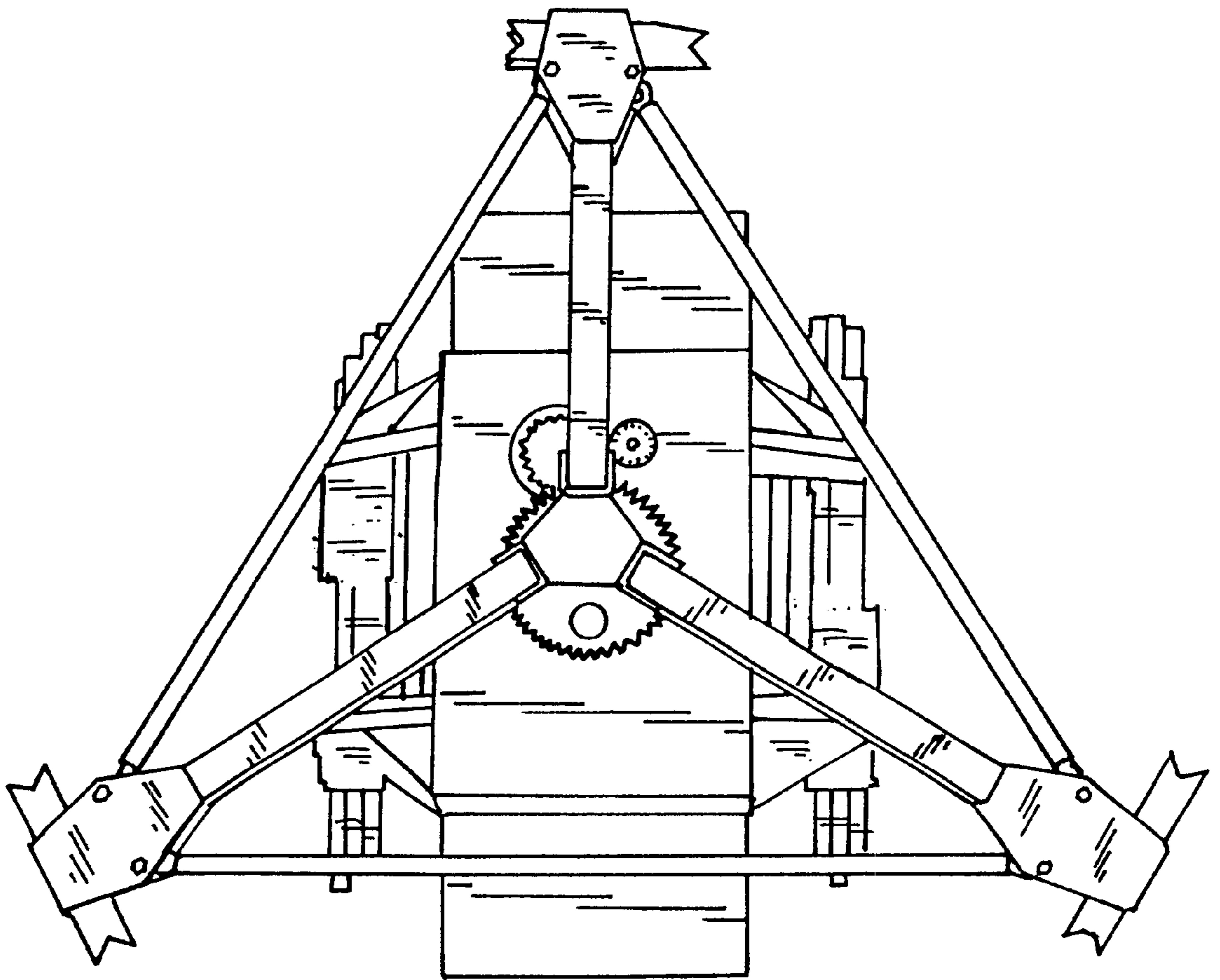


FIG. 2

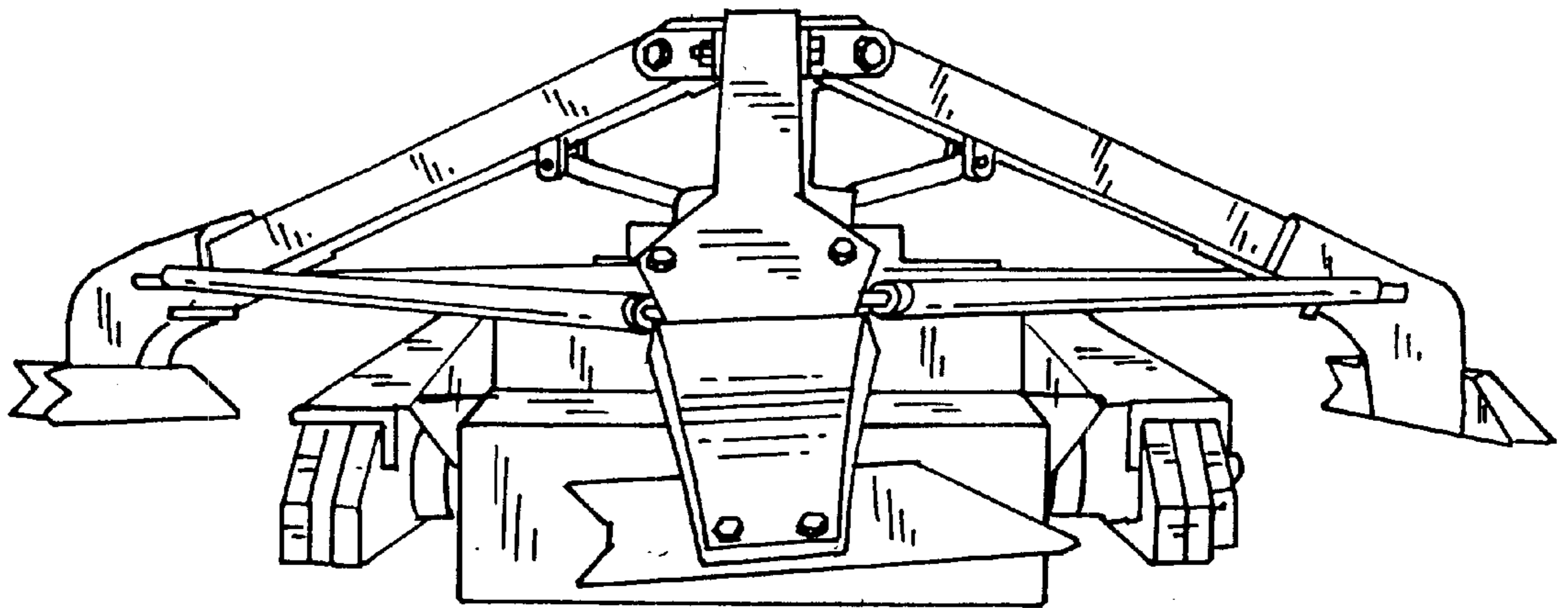


FIG. 3

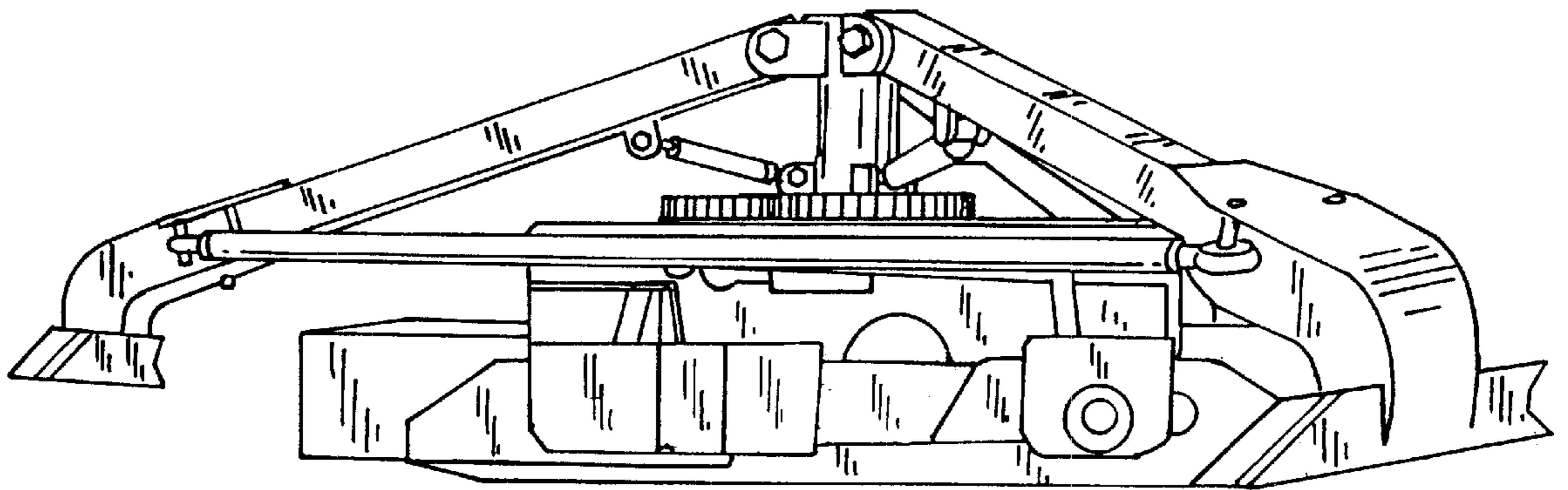


FIG. 4

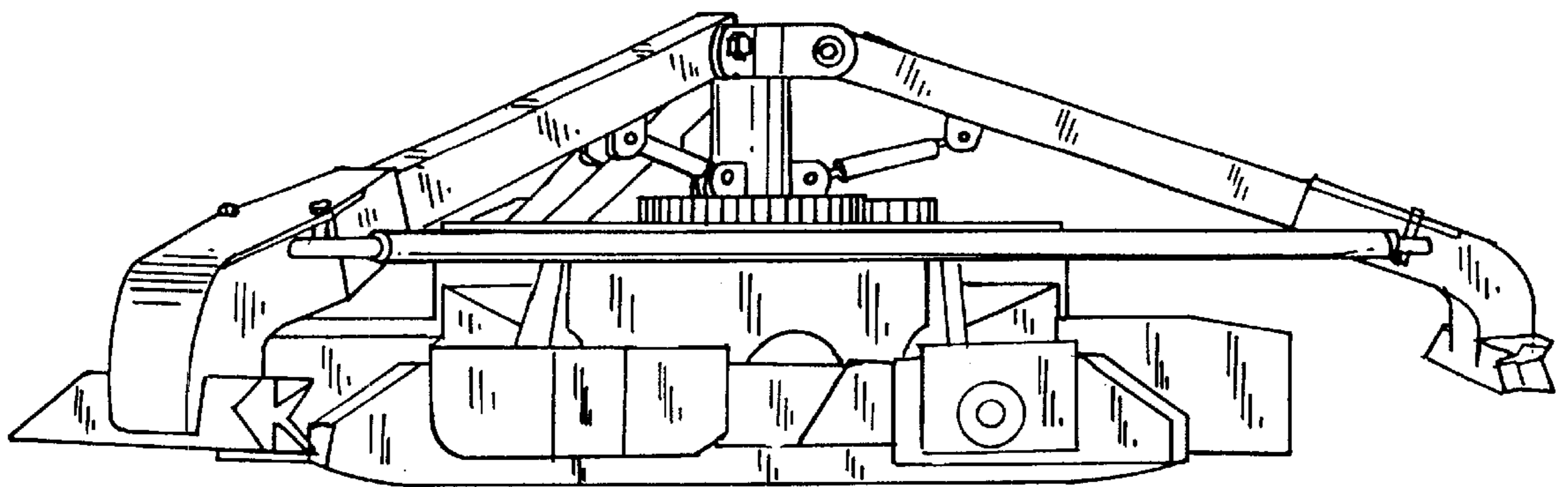


FIG. 5

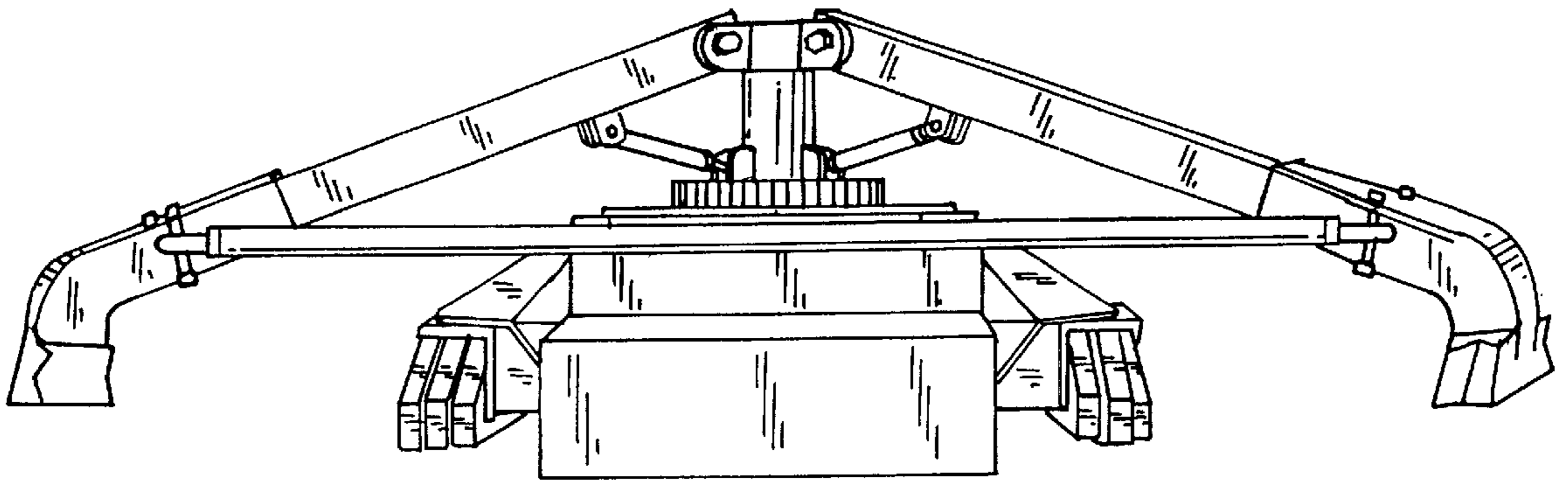


FIG. 6

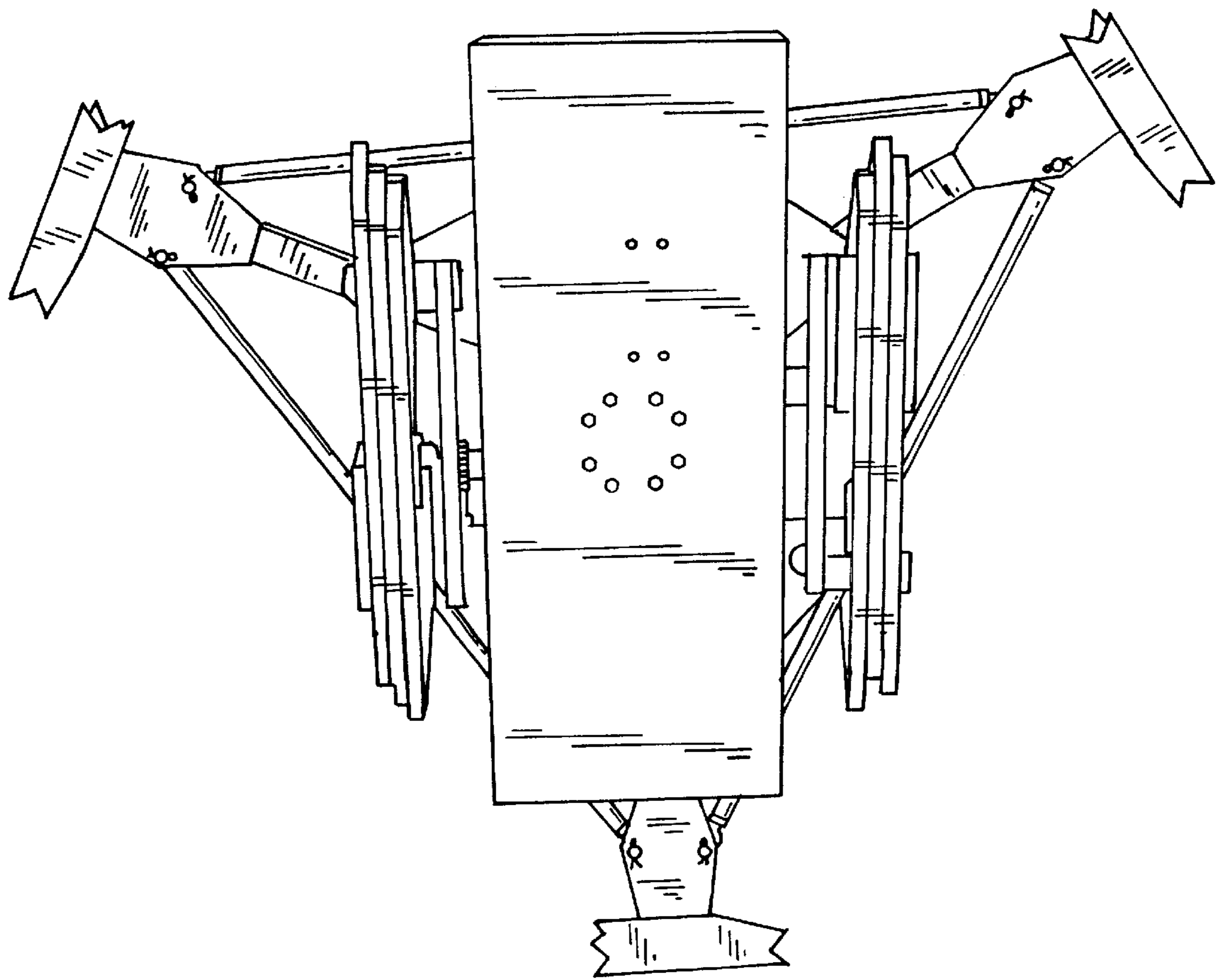


FIG. 7