



US00D461851S

(12) **United States Design Patent**  
**Hussaini et al.**

(10) **Patent No.:** **US D461,851 S**

(45) **Date of Patent:** **\*\* Aug. 20, 2002**

(54) **VIDEO GAME ACCESSORY LIGHT**

D448,426 S \* 9/2001 Yu ..... D21/333

(75) Inventors: **Saied Hussaini; Marc Iacovelli**, both  
of Miami, FL (US)

\* cited by examiner

(73) Assignee: **Intec, Inc**, Miami, FL (US)

*Primary Examiner*—Prabhakar Deshmukh

(\*\*) Term: **14 Years**

(74) *Attorney, Agent, or Firm*—Liniak, Berenato, Longacre  
& White

(21) Appl. No.: **29/149,950**

(57) **CLAIM**

(22) Filed: **Oct. 24, 2001**

The ornamental design for a video game accessory light, as  
shown and described.

(51) **LOC (7) Cl.** ..... **21-01**

**DESCRIPTION**

(52) **U.S. Cl.** ..... **D21/333**

FIG. 1 is a front view of the video game accessory light  
according to the present invention.

(58) **Field of Search** ..... D21/324–333,  
D21/369, 385; D3/218; 273/148 A, 148 B,  
108, 118 R, 123 R, 454; 463/46, 47, 1,  
16–22, 49; 345/905, 156; D26/24, 26, 51,  
52, 72; 362/109, 97, 98, 101, 21, 217

FIG. 2 is a rear view of the video game accessory light of  
FIG. 1.

FIG. 3 is a left side view of the video game accessory light  
of FIG. 1.

(56) **References Cited**

**U.S. PATENT DOCUMENTS**

- 4,893,222 A \* 1/1990 Mintzer ..... 362/109
- 5,163,748 A \* 11/1992 Messinger ..... 362/98
- 5,188,448 A \* 2/1993 Siriani et al. .... 362/109
- 5,263,209 A \* 11/1993 Pattee ..... 362/101
- D416,948 S \* 11/1999 Soga ..... D21/333
- D426,860 S \* 6/2000 Ho ..... D21/333
- D439,353 S \* 3/2001 Neiser ..... D21/333

FIG. 4 is a right side view of the video game accessory light  
of FIG. 1.

FIG. 5 is a top view of the video game accessory light of  
FIG. 1.

FIG. 6 is a bottom view of the video game accessory light  
of FIG. 1; and,

FIG. 7 is a front elevational perspective view of the video  
game accessory light of FIG. 1.

**1 Claim, 4 Drawing Sheets**

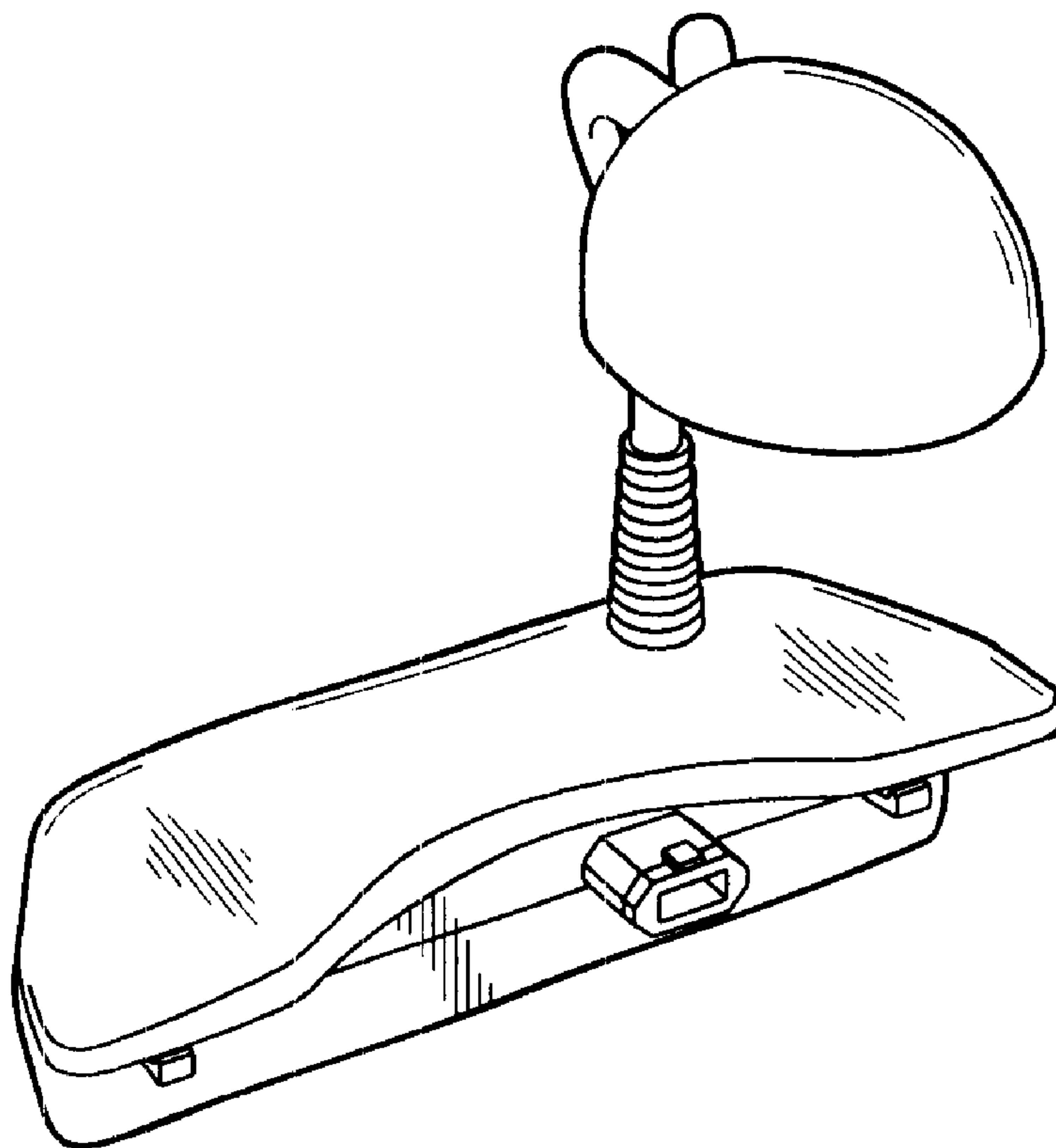


Fig. 1

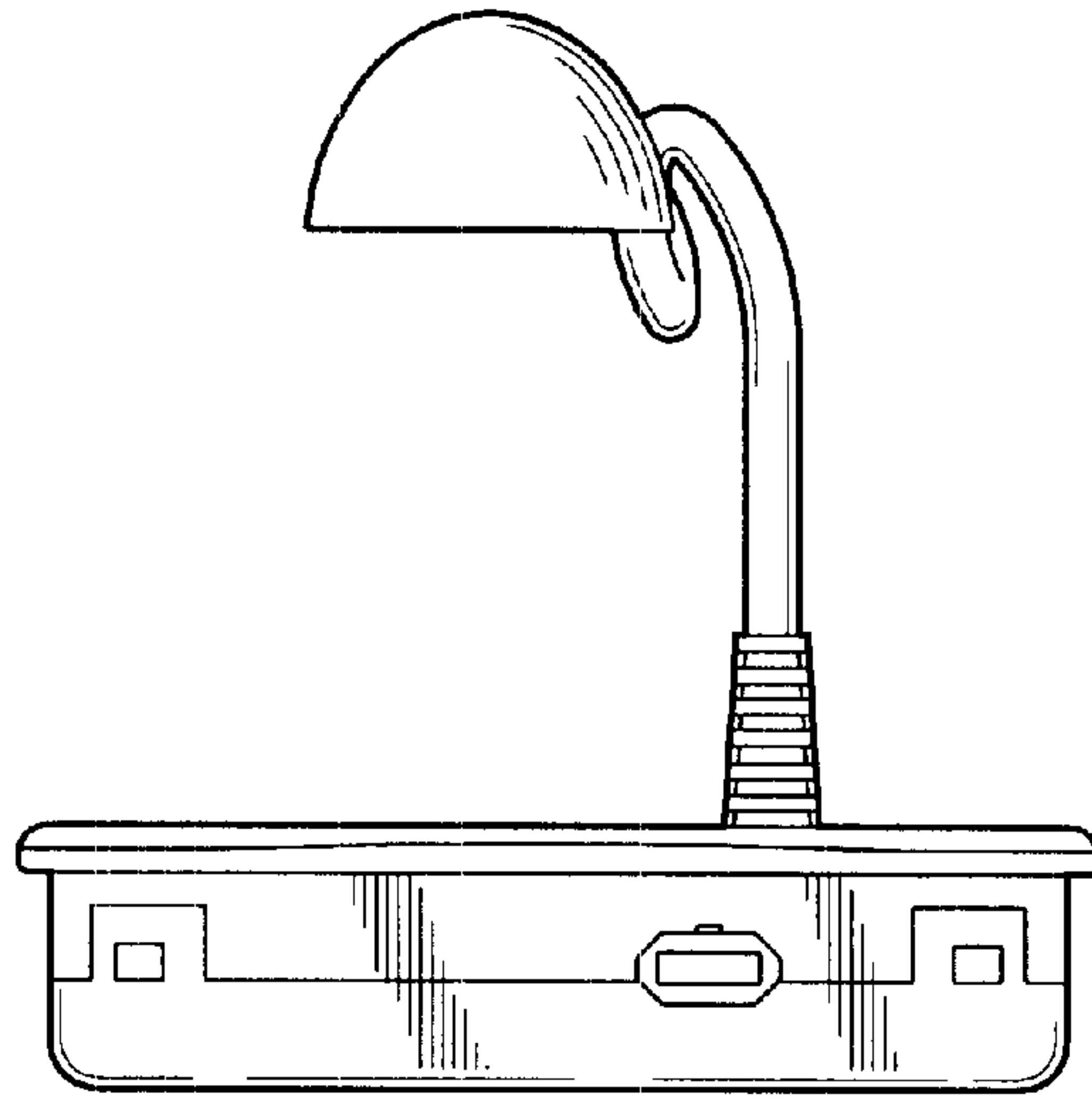


Fig. 2

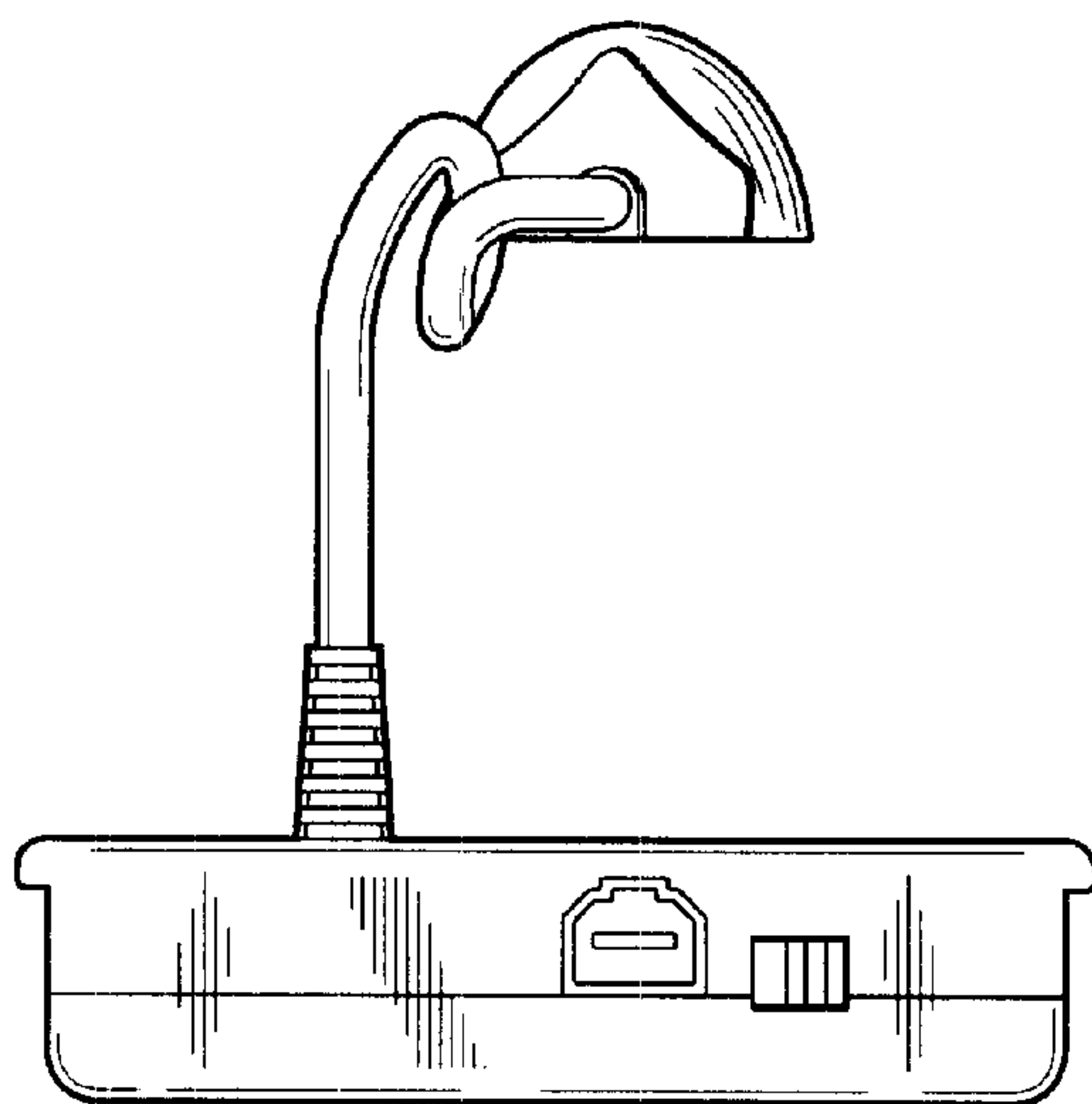


Fig. 3

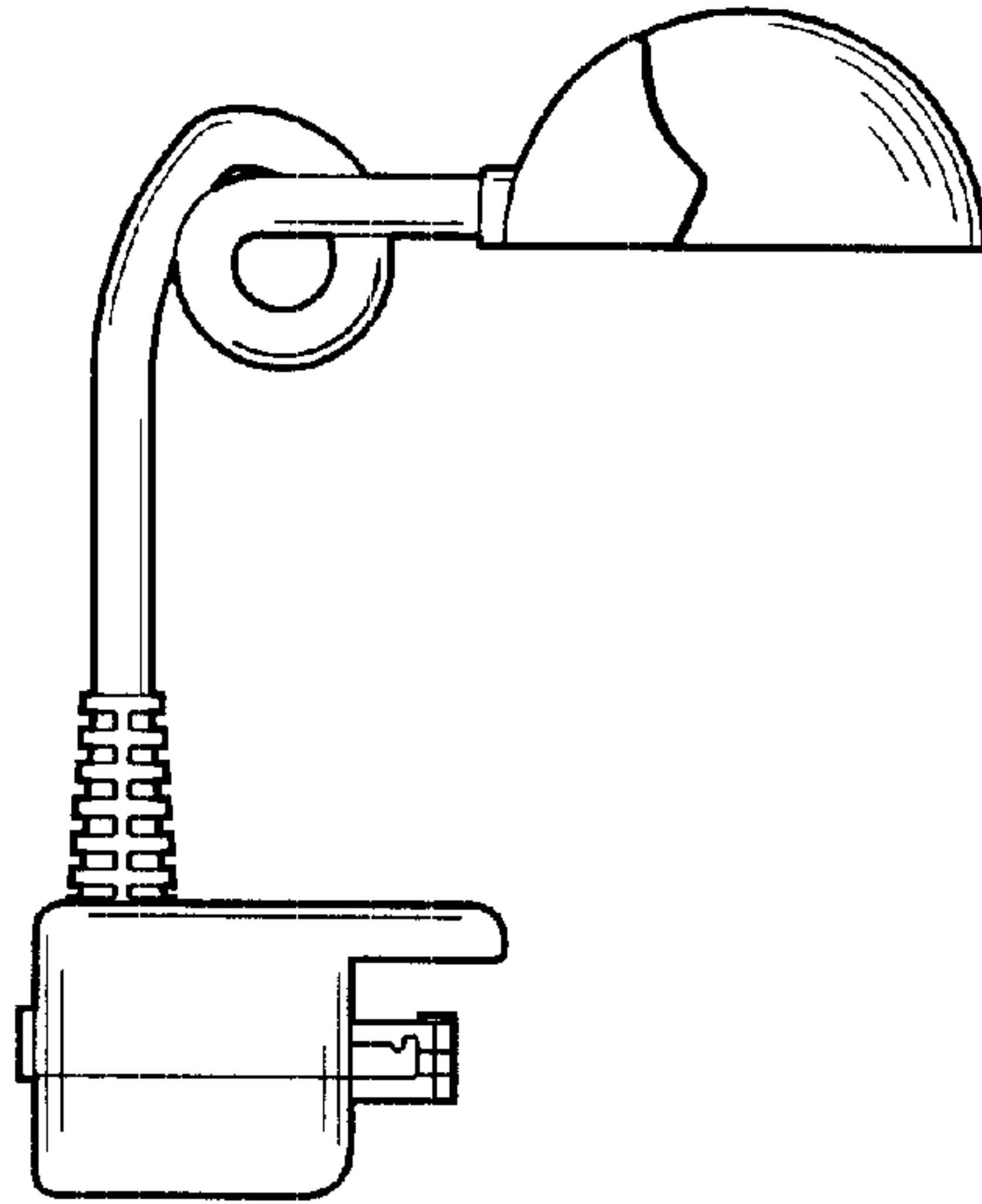


Fig. 4

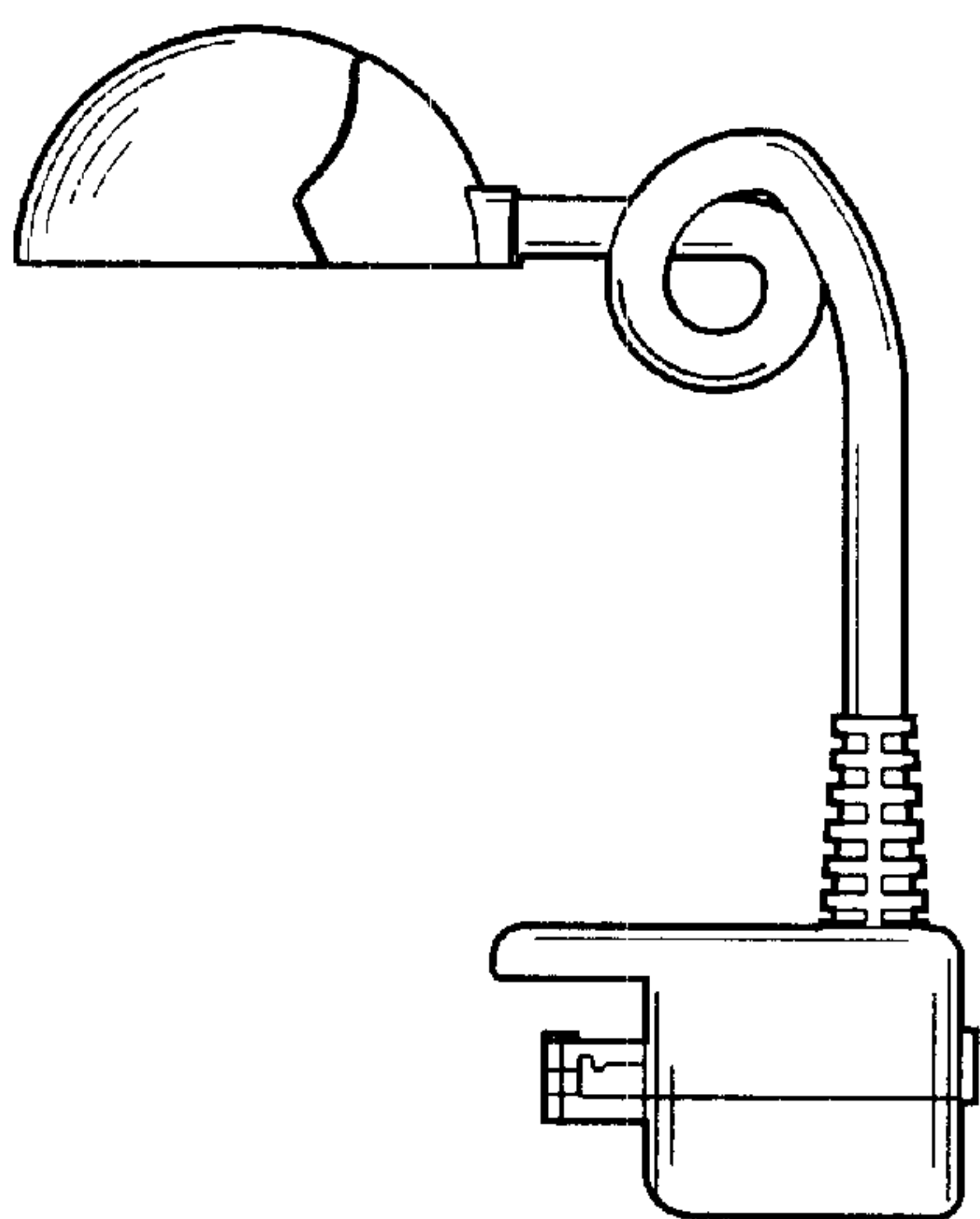


Fig. 5

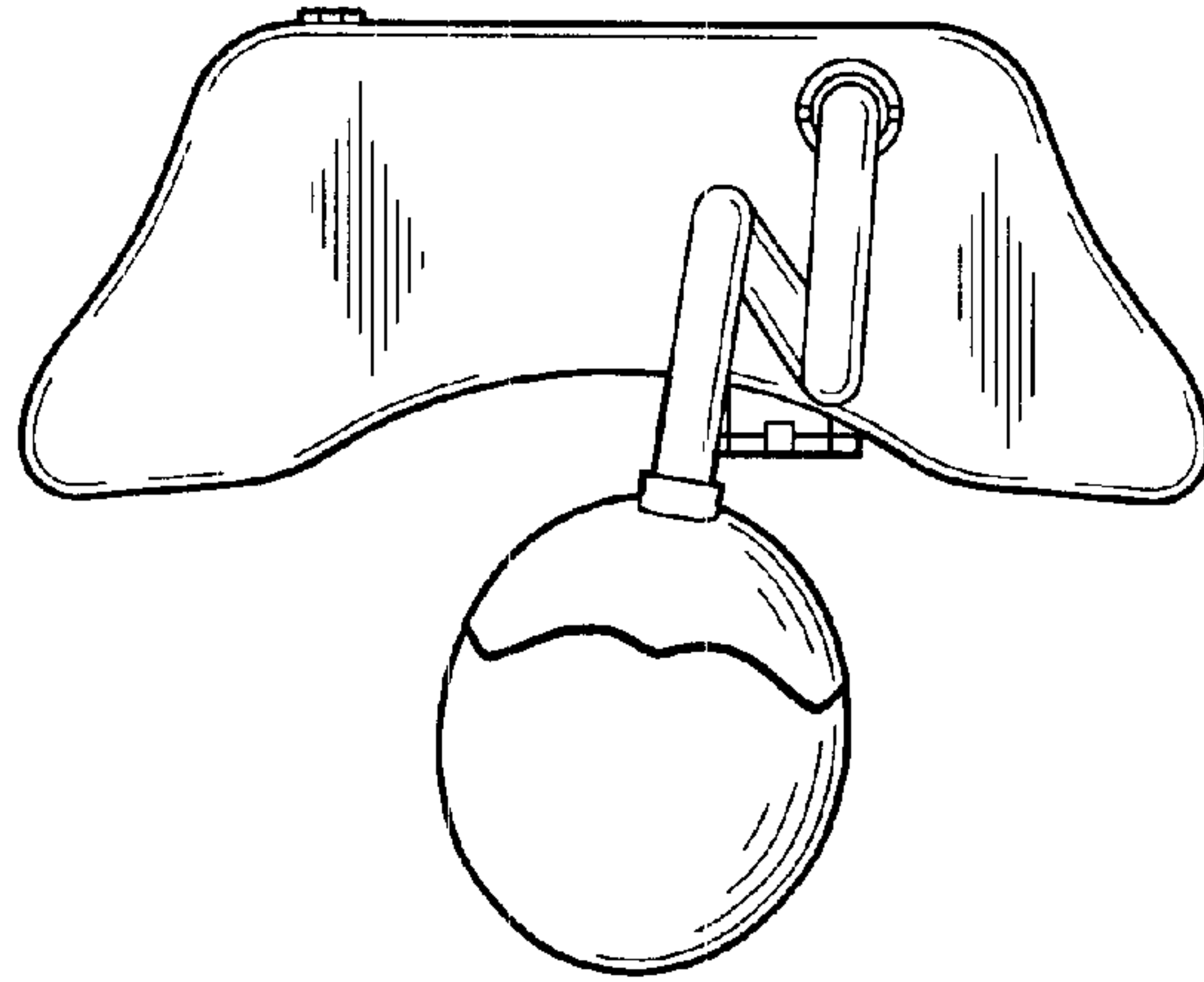


Fig. 6

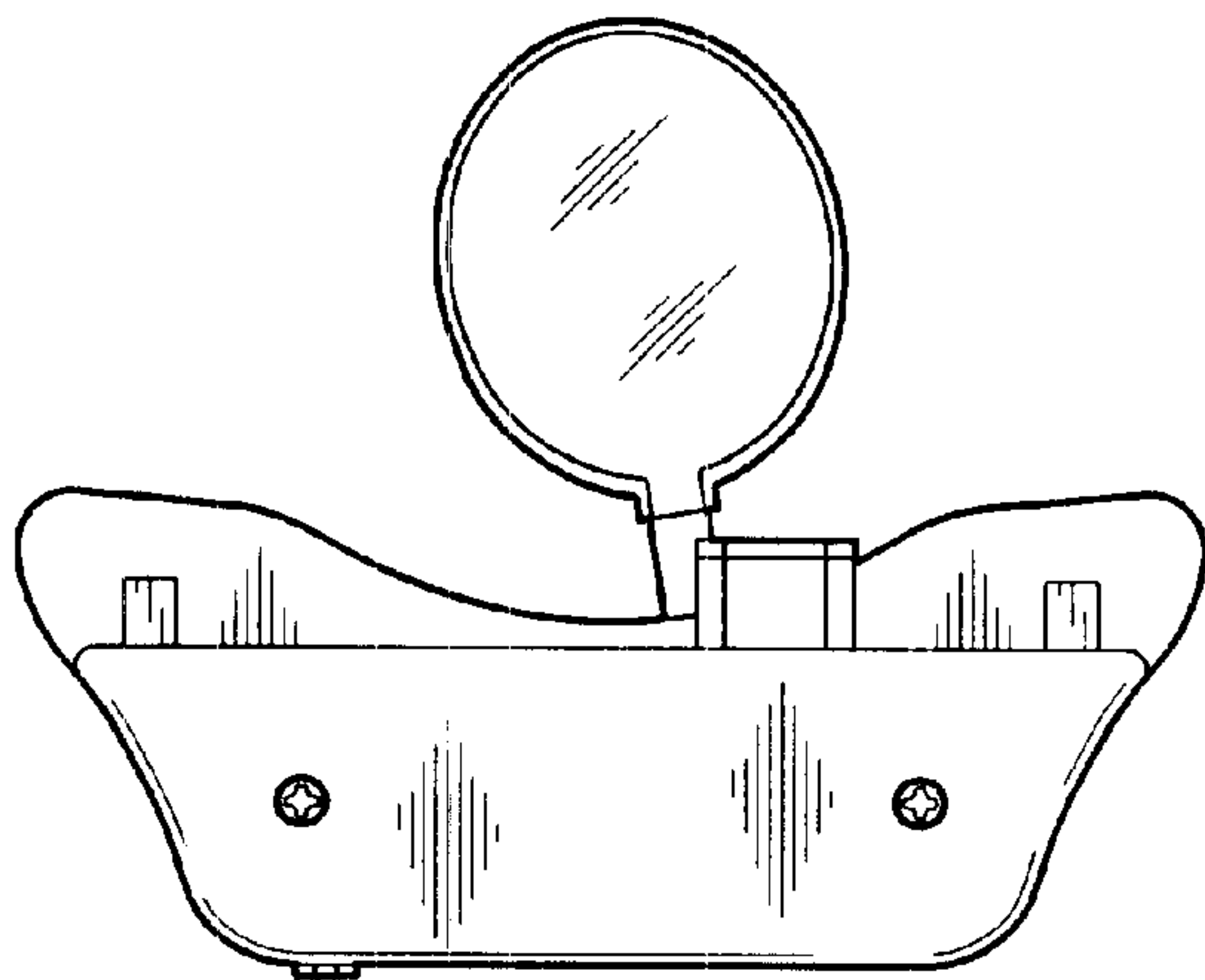


Fig. 7

