



US00D461849S

(12) **United States Design Patent**  
**Hussaini et al.**

(10) **Patent No.:** **US D461,849 S**

(45) **Date of Patent:** **\*\* Aug. 20, 2002**

(54) **VIDEO GAME ACCESSORY**

D450,096 S \* 11/2001 Legras et al. .... D21/333  
6,364,771 B1 \* 4/2002 Lee ..... 273/148 B

(75) Inventors: **Saied Hussaini; Marc Iacovelli**, both  
of Miami, FL (US)

\* cited by examiner

(73) Assignee: **Intec, Inc.**, Miami, FL (US)

*Primary Examiner*—Prabhakar Deshmukh  
(74) *Attorney, Agent, or Firm*—Liniak, Berenato, Longacre  
& White

(\*\*) Term: **14 Years**

(21) Appl. No.: **29/148,455**

(57) **CLAIM**

(22) Filed: **Sep. 21, 2001**

The ornamental design for a video game accessory, as shown  
and described.

(51) **LOC (7) Cl.** ..... **21-01**

**DESCRIPTION**

(52) **U.S. Cl.** ..... **D21/333**

(58) **Field of Search** ..... D21/324–333,  
D21/369, 385; D3/218; 273/148 A, 148 B,  
108, 118 R, 123 R, 454; 463/46, 47, 1,  
16–22, 49; 345/905, 156

FIG. 1 is a Front View of the video game accessory  
according to the present invention.

FIG. 2 is a Rear view of the video game accessory of FIG.  
1.

FIG. 3 is a right side view of the video game accessory of  
FIG. 1.

FIG. 4 is a left side view of the video game accessory of FIG.  
1.

FIG. 5 is a top view of the video game accessory of FIG. 1.

FIG. 6 is a bottom view of the video game accessory of FIG.  
1; and,

FIG. 7 is a front elevational perspective view of the video  
game accessory of FIG. 1.

(56) **References Cited**

**U.S. PATENT DOCUMENTS**

3,541,256 A \* 11/1970 Anders ..... 273/148 B  
D301,494 S \* 6/1989 Gutknecht ..... D21/333  
5,564,209 A \* 10/1996 Zagnoli ..... 273/148 B  
5,813,914 A \* 9/1998 McKay et al. .... 463/46  
RE36,641 E \* 4/2000 Griffin ..... 273/148 B  
D436,632 S \* 1/2001 Muraki et al. .... D21/325  
6,262,785 B1 \* 7/2001 Kim ..... 345/903  
6,290,228 B1 \* 9/2001 Roberts et al. .... 273/148 B

**1 Claim, 4 Drawing Sheets**

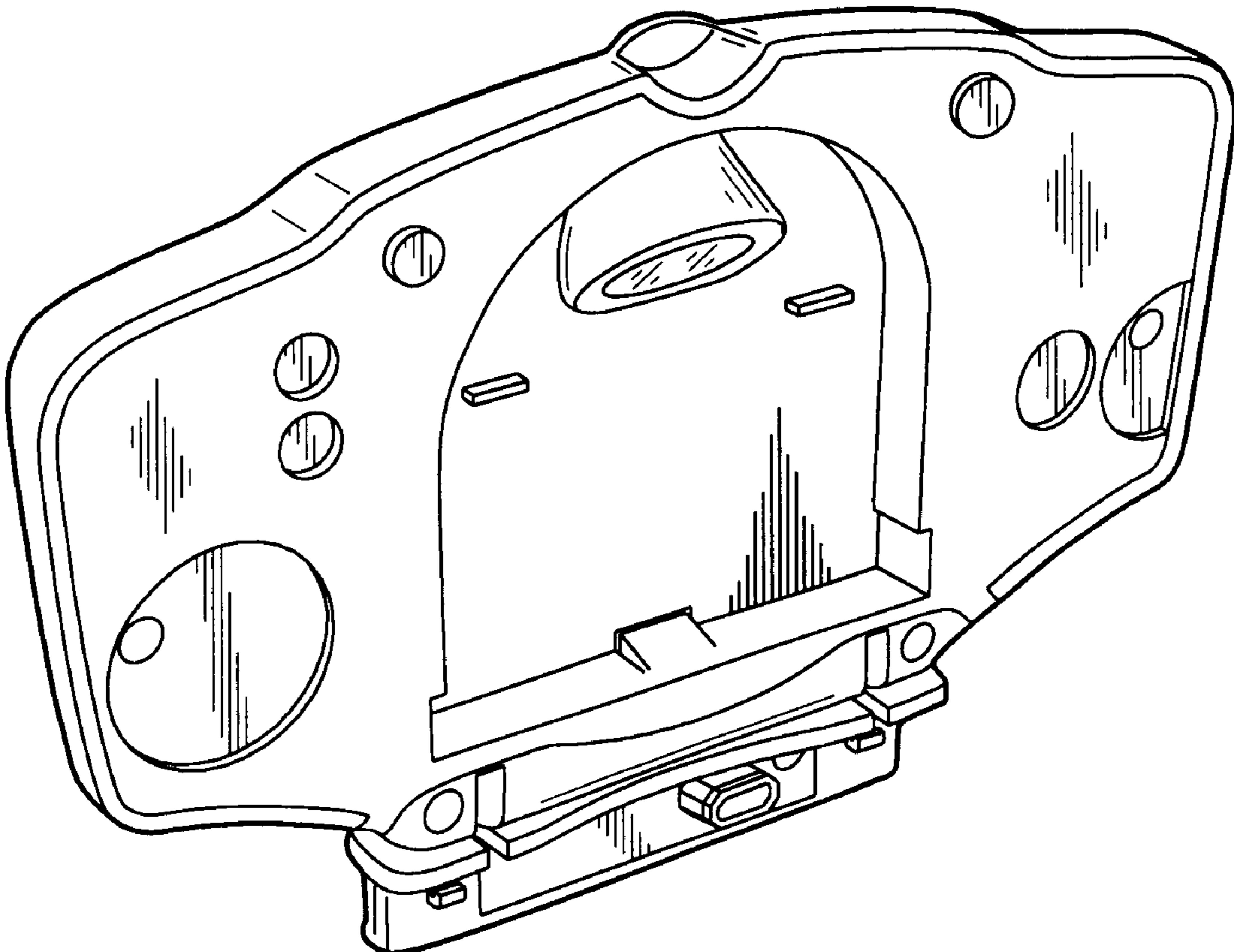


Fig. 1

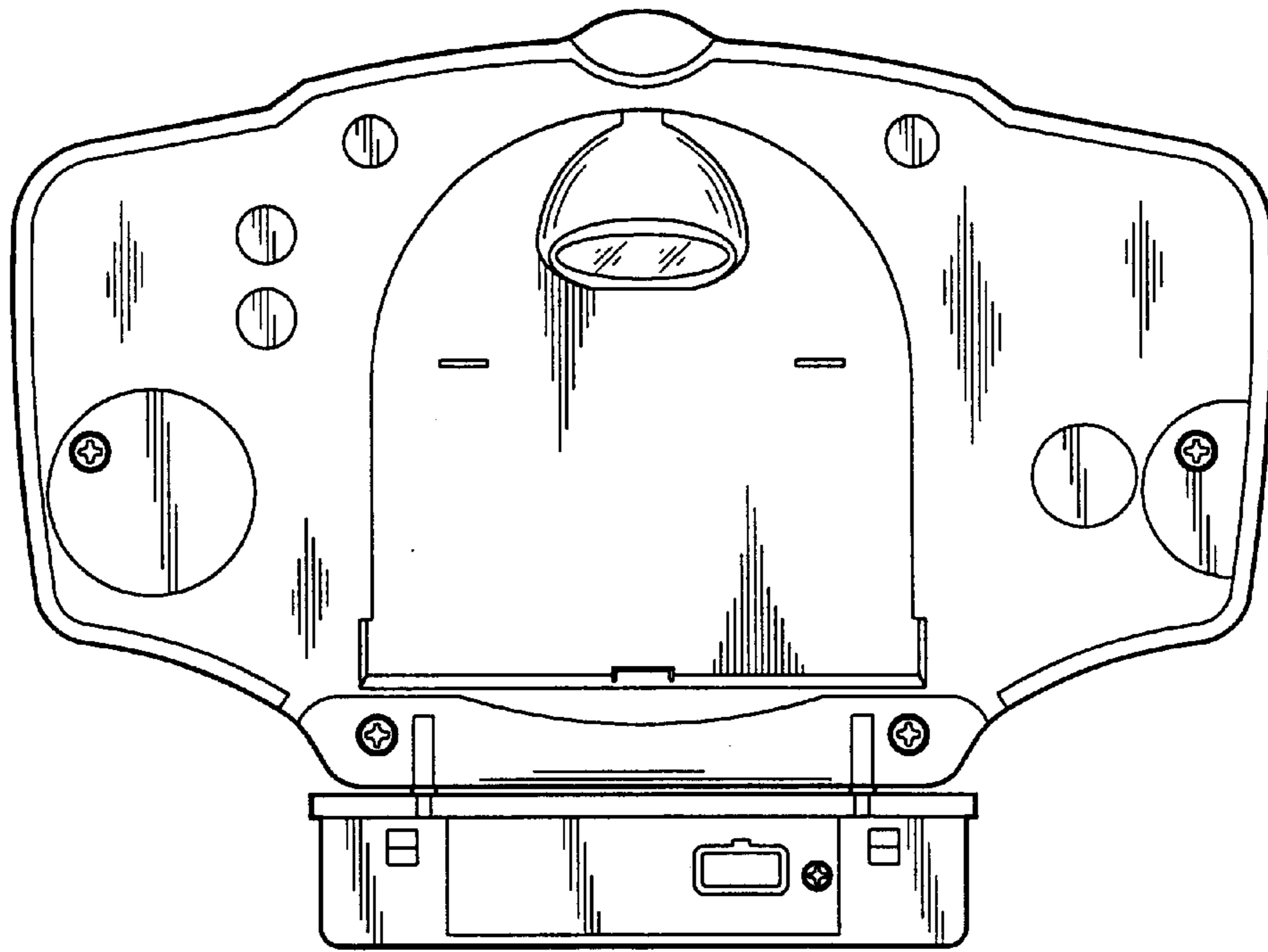


Fig. 2

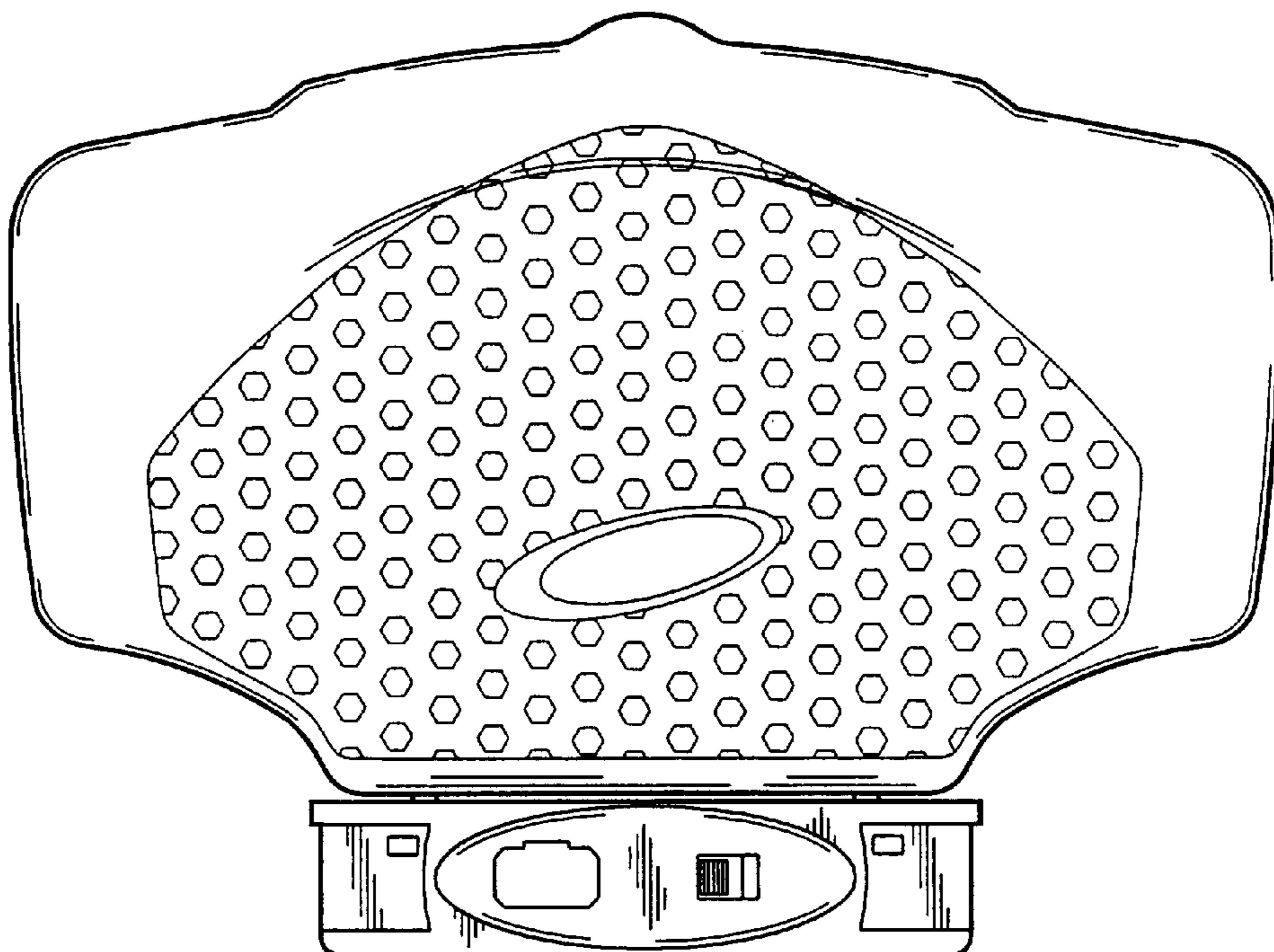


Fig. 3

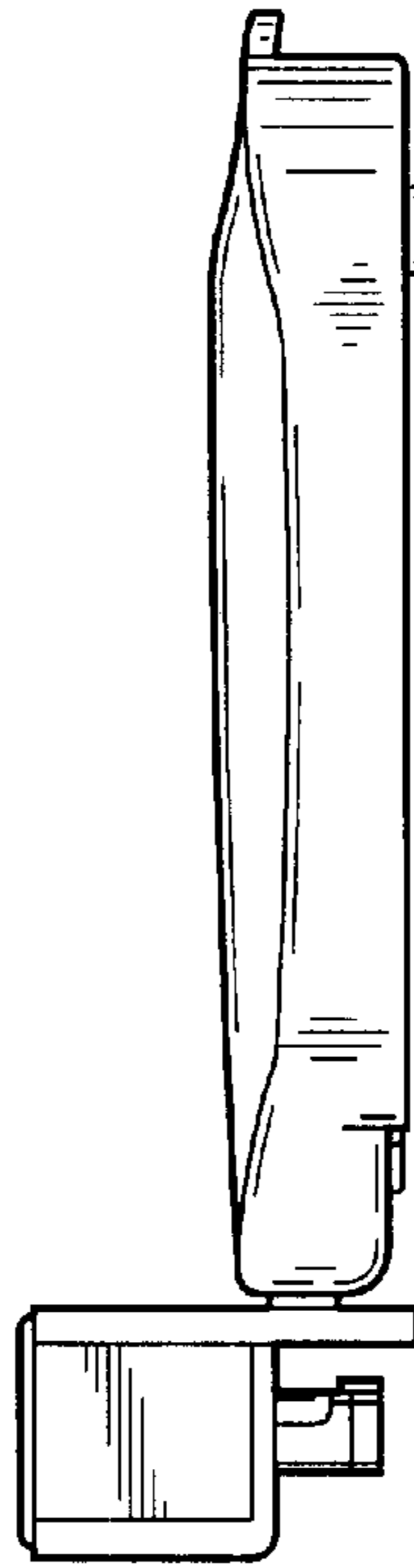


Fig. 4

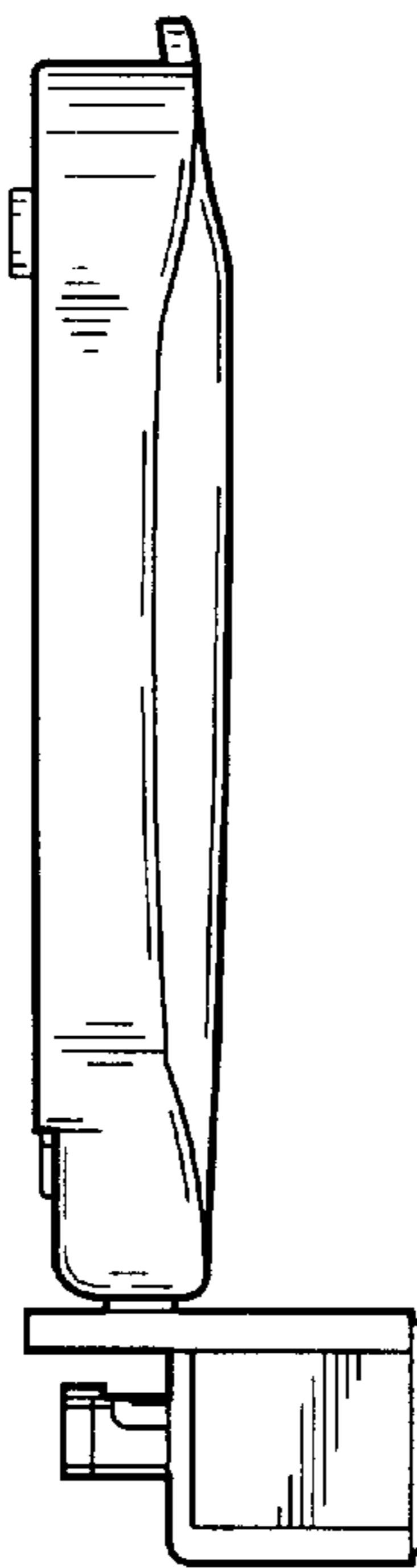


Fig. 5

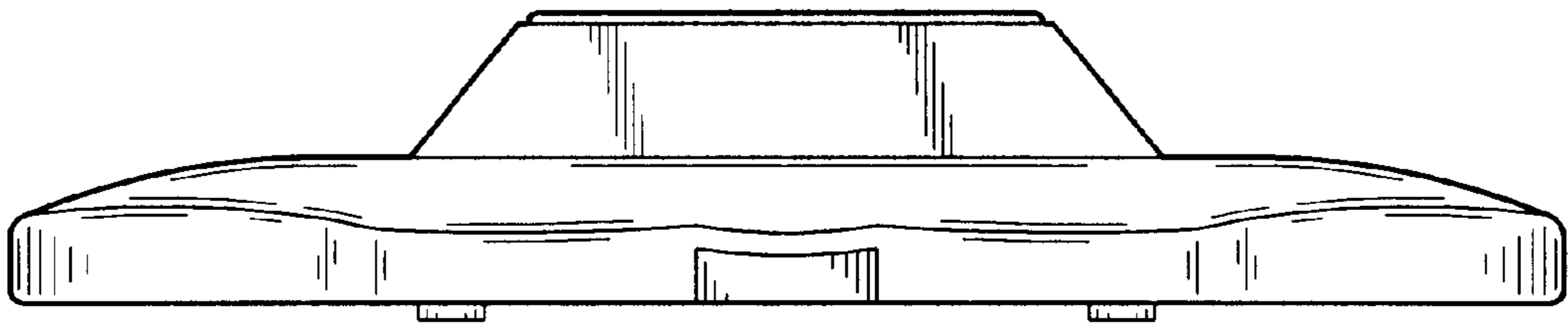


Fig. 6

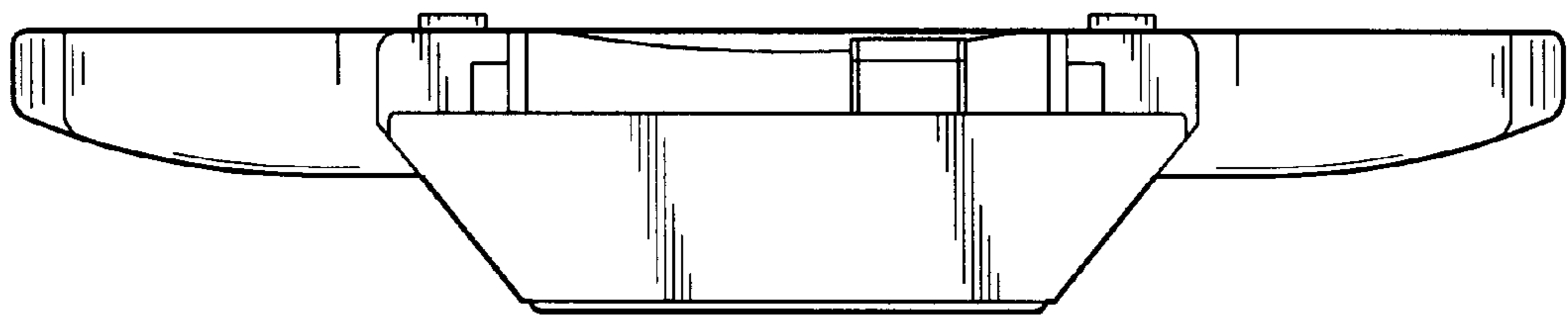


Fig. 7

