



US00D461844S

(12) **United States Design Patent**
Hattori et al.

(10) **Patent No.:** **US D461,844 S**

(45) **Date of Patent:** **** Aug. 20, 2002**

(54) **PRINTER**

(75) Inventors: **Mitsuharu Hattori; Yuzo Fukunaga,**
both of Nagoya (JP)

(73) Assignee: **Brother Industries, Ltd.,** Aichi-ken
(JP)

(**) Term: **14 Years**

(21) Appl. No.: **29/147,455**

(22) Filed: **Aug. 30, 2001**

(30) **Foreign Application Priority Data**

Mar. 6, 2001 (JP) 2001-005445

(51) **LOC (7) Cl.** **14-02**

(52) **U.S. Cl.** **D18/50**

(58) **Field of Search** D18/50, 54, 55,
D18/36-37, 4.1, 4.4, 38, 14; 400/613, 613.1-613.4,
691-694, 690.1-690.4

(56) **References Cited**

U.S. PATENT DOCUMENTS

- D154,428 S * 7/1949 Petty D18/14
- D239,445 S * 4/1976 Dixon D18/55
- D284,771 S * 7/1986 Tamada et al. D18/55

- D293,248 S * 12/1987 Matsumoto D18/54
- D297,237 S * 8/1988 Long D18/55
- D355,437 S * 2/1995 Reph D18/14
- D358,410 S * 5/1995 Hernandez D18/36
- D363,081 S * 10/1995 Burt D18/50
- D368,113 S * 3/1996 Tanaka et al. D18/55
- D389,861 S * 1/1998 Kobayashi et al. D18/55
- 6,270,271 B1 * 8/2001 Fujiwara 400/693

* cited by examiner

Primary Examiner—Cathy Anne MacCormac

(74) *Attorney, Agent, or Firm*—Oliff & Berridge, PLC

(57) **CLAIM**

The ornamental design for printer, as shown and described.

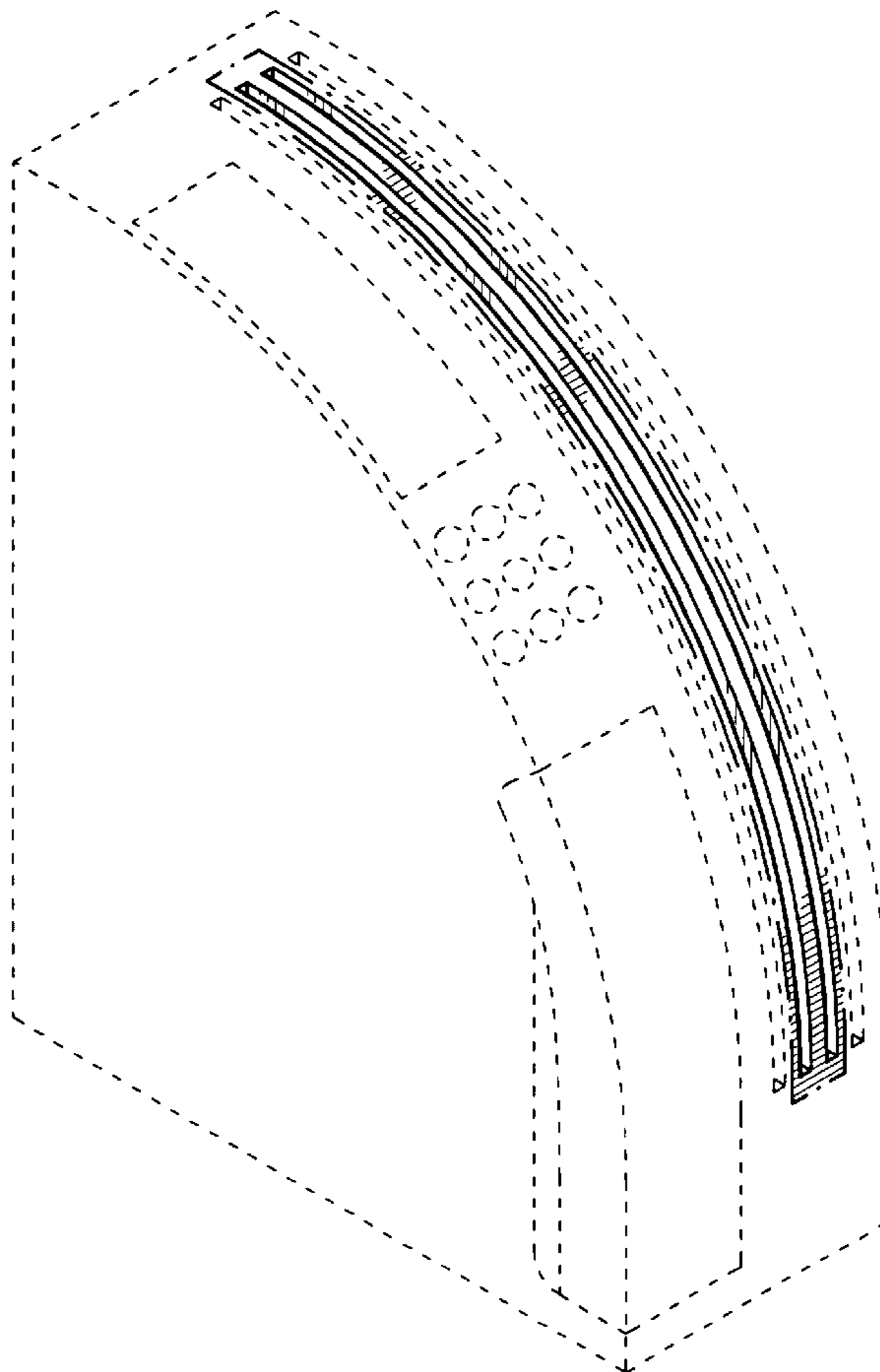
DESCRIPTION

FIG. 1 is a front perspective view of a printer;
FIG. 2 is a front view thereof;
FIG. 3 is a top view thereof; and,
FIG. 4 is a cross-sectional view taken along the line 4—4 of
FIG. 2.

The right side, left side, and bottom views contain no
ornamentality and are omitted.

The broken lines define the bounds of the claimed design,
but do not form part of the claimed design.

1 Claim, 3 Drawing Sheets



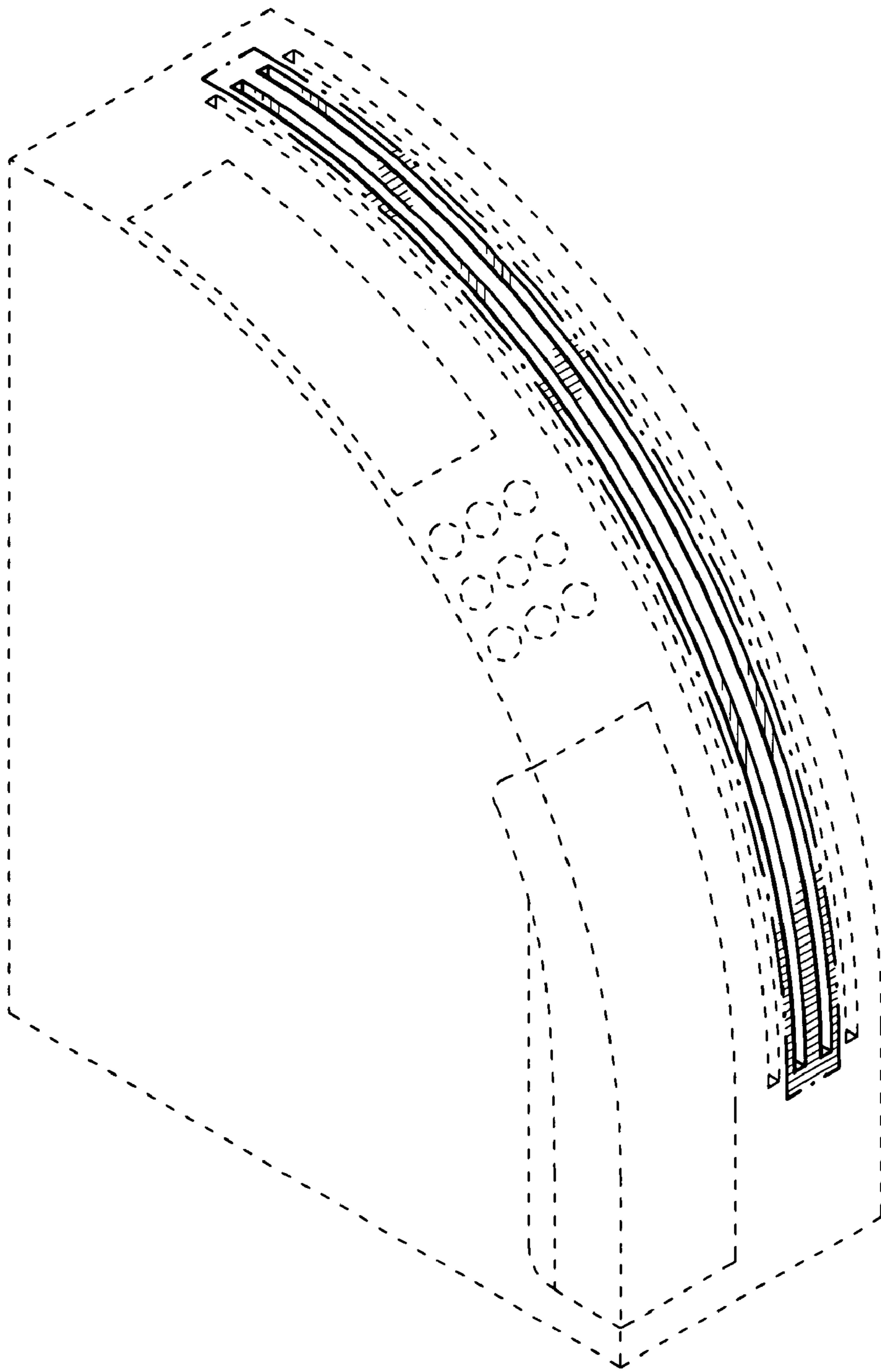


Fig. 1

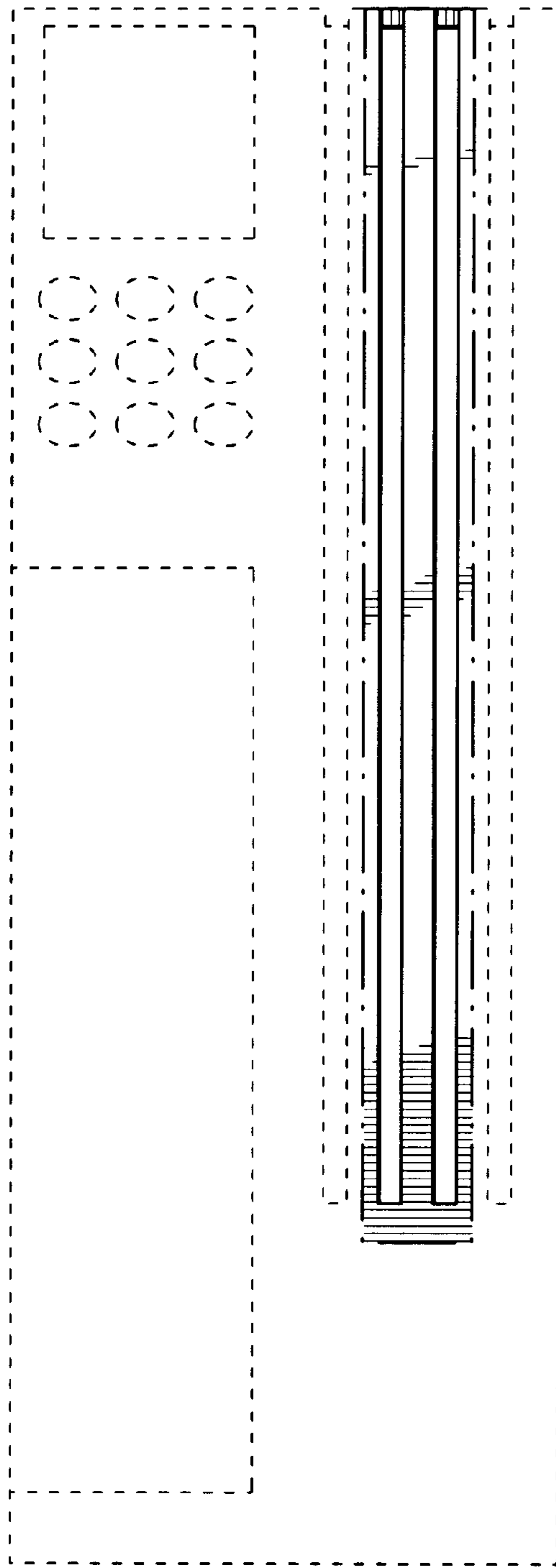


Fig. 2

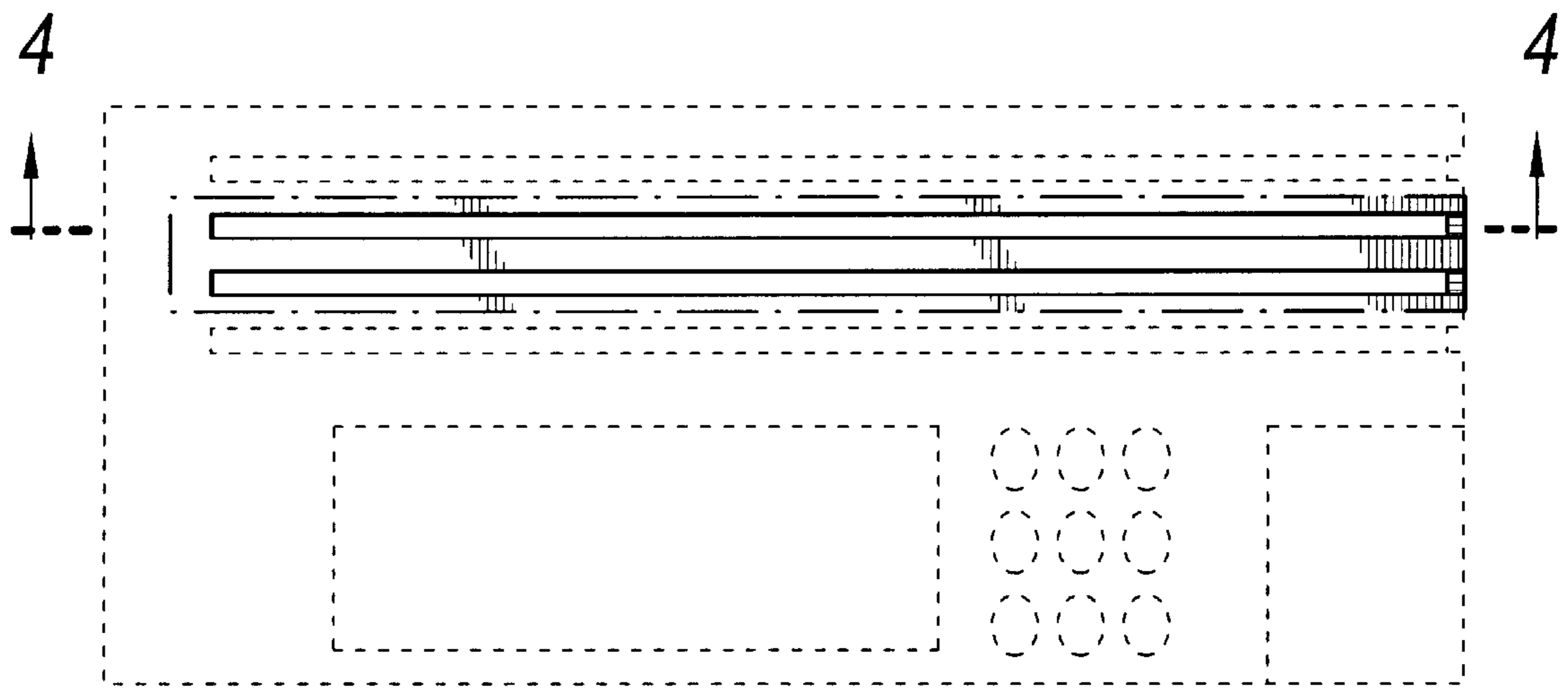


Fig. 3

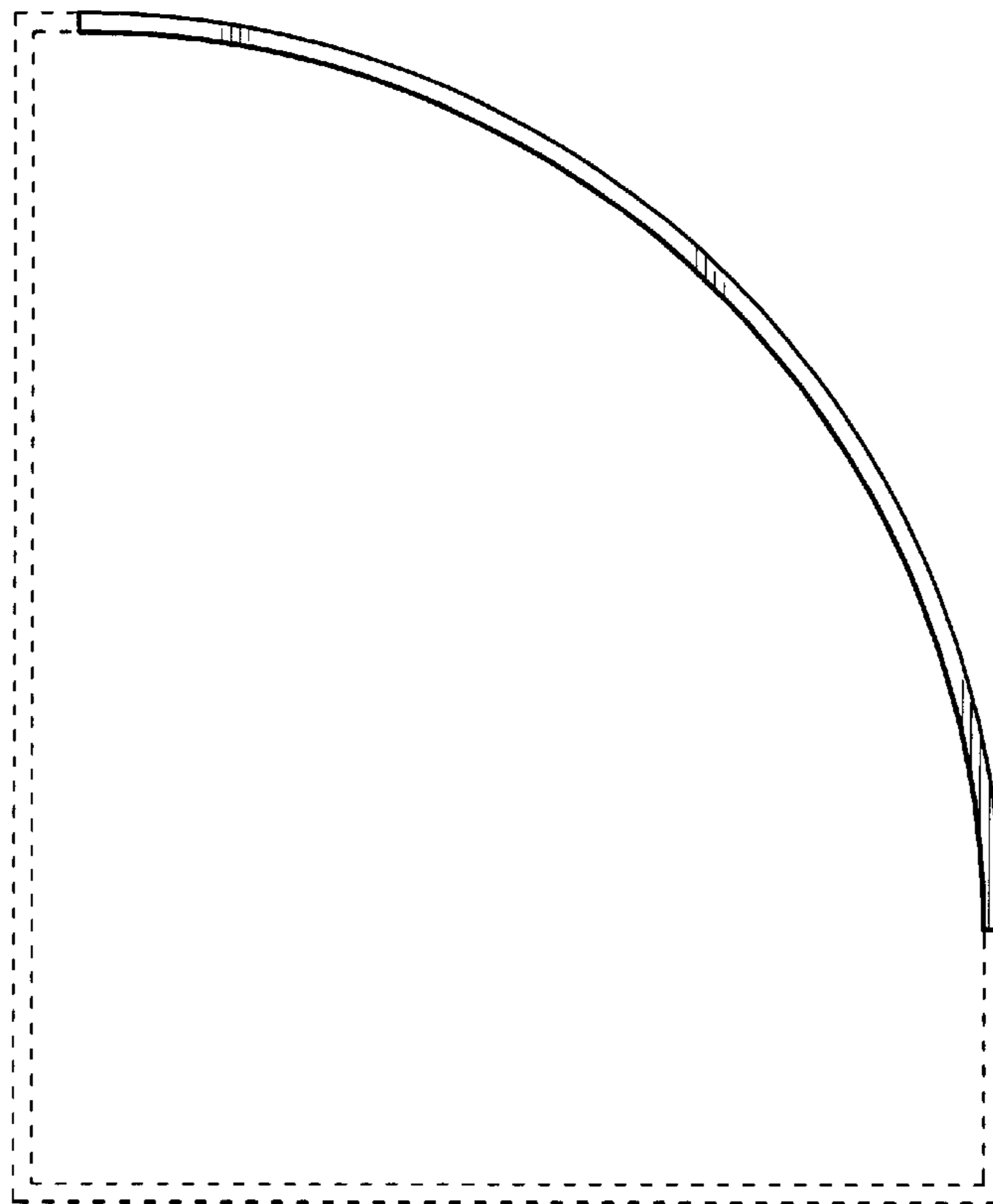


Fig. 4