



US00D461843S

(12) **United States Design Patent**
Hattori et al.

(10) **Patent No.:** **US D461,843 S**

(45) **Date of Patent:** **** Aug. 20, 2002**

(54) **PRINTER**

(75) Inventors: **Mitsuharu Hattori; Yuzo Fukunaga,**
both of Nagoya (JP)

(73) Assignee: **Brother Industries, Ltd.,** Aichi-ken
(JP)

(**) Term: **14 Years**

(21) Appl. No.: **29/147,454**

(22) Filed: **Aug. 30, 2001**

(30) **Foreign Application Priority Data**

Mar. 6, 2001 (JP) 2001-005446

(51) **LOC (7) Cl.** **14-02**

(52) **U.S. Cl.** **D18/50**

(58) **Field of Search** D18/50, 54, 55,
D18/36-37, 4.1, 4.4, 38, 14; 400/613, 613.1-613.4,
691-694, 690.1-690.4

(56) **References Cited**

U.S. PATENT DOCUMENTS

- D154,428 S * 7/1949 Petty D18/14
- D207,073 S * 2/1967 Wiener D18/14
- 3,587,453 A * 6/1971 Klein et al. D18/14

- D284,771 S * 7/1986 Tamada et al. D18/55
- D293,248 S * 12/1987 Matsumoto D18/54
- D293,445 S * 12/1987 Pensavecchia D18/55
- D358,410 S * 5/1995 Hernandez D18/36
- 6,270,271 B1 * 8/2001 Fujiwara 400/693

* cited by examiner

Primary Examiner—Cathy Anne MacCormac

(74) *Attorney, Agent, or Firm*—Oliff & Berridge, PLC

(57) **CLAIM**

The ornamental design for printer, as shown and described.

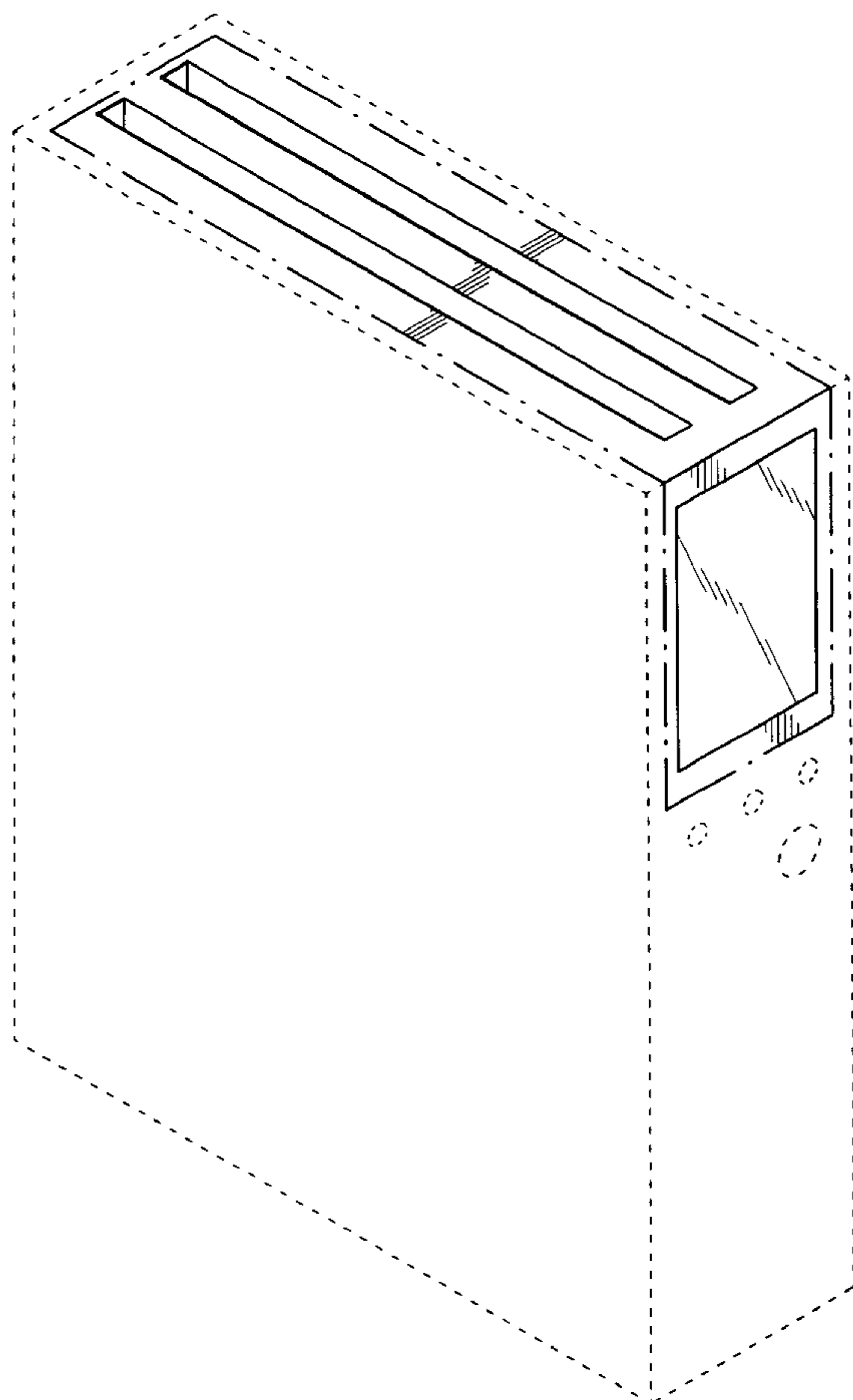
DESCRIPTION

FIG. 1 is a front perspective view of a printer;
 FIG. 2 is a top view thereof;
 FIG. 3 is a front view thereof;
 FIG. 4 is a cross-sectional view taken along the line 4—4 of
 FIG. 2; and,
 FIG. 5 is a cross-sectional view thereof taken along the line
 5—5 of FIG. 2.

The right side, left side, and bottom views contain no
ornamentality and are omitted.

The broken lines define the bounds of the claimed design,
but do not form part of the claimed design.

1 Claim, 3 Drawing Sheets



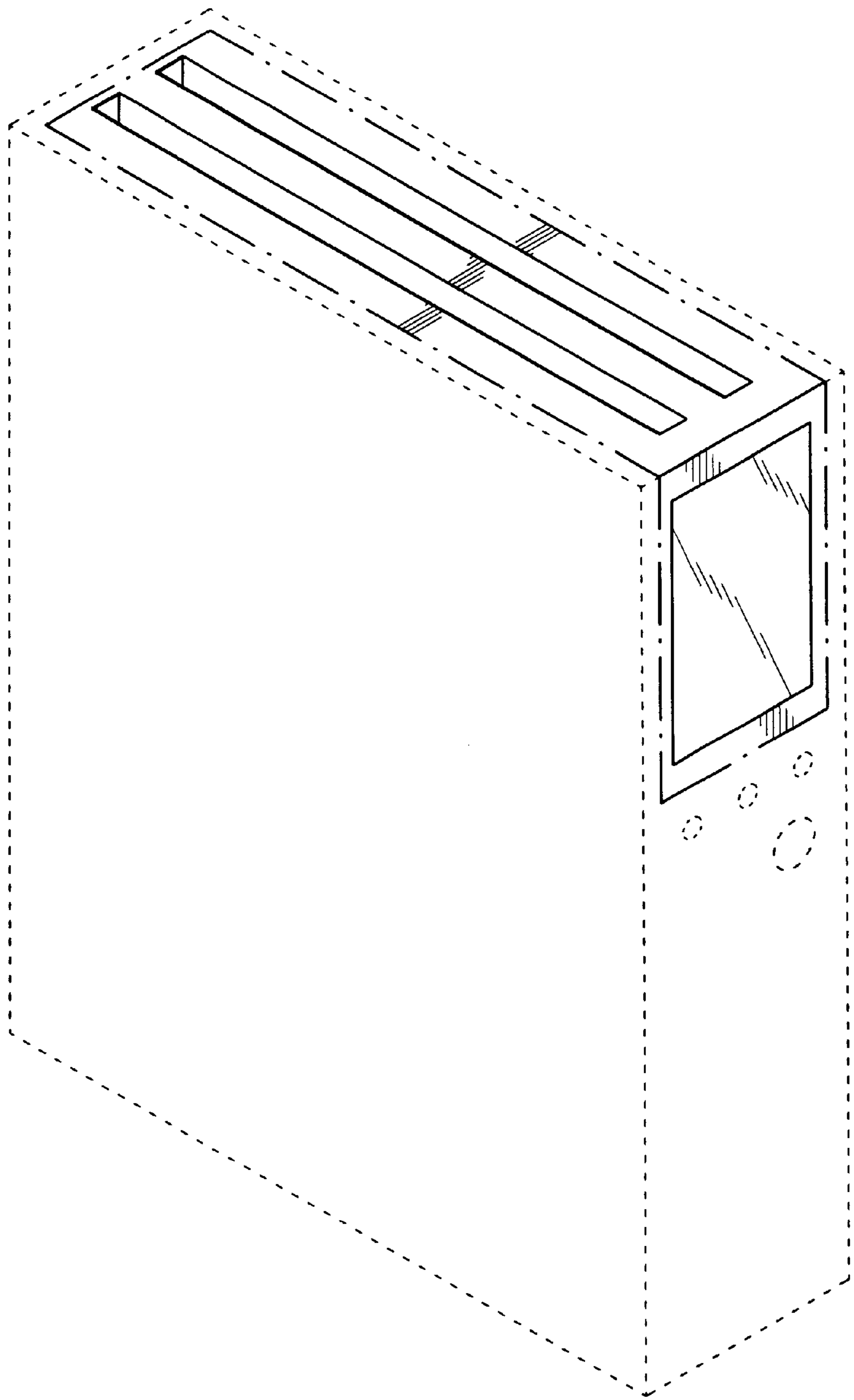


Fig. 1

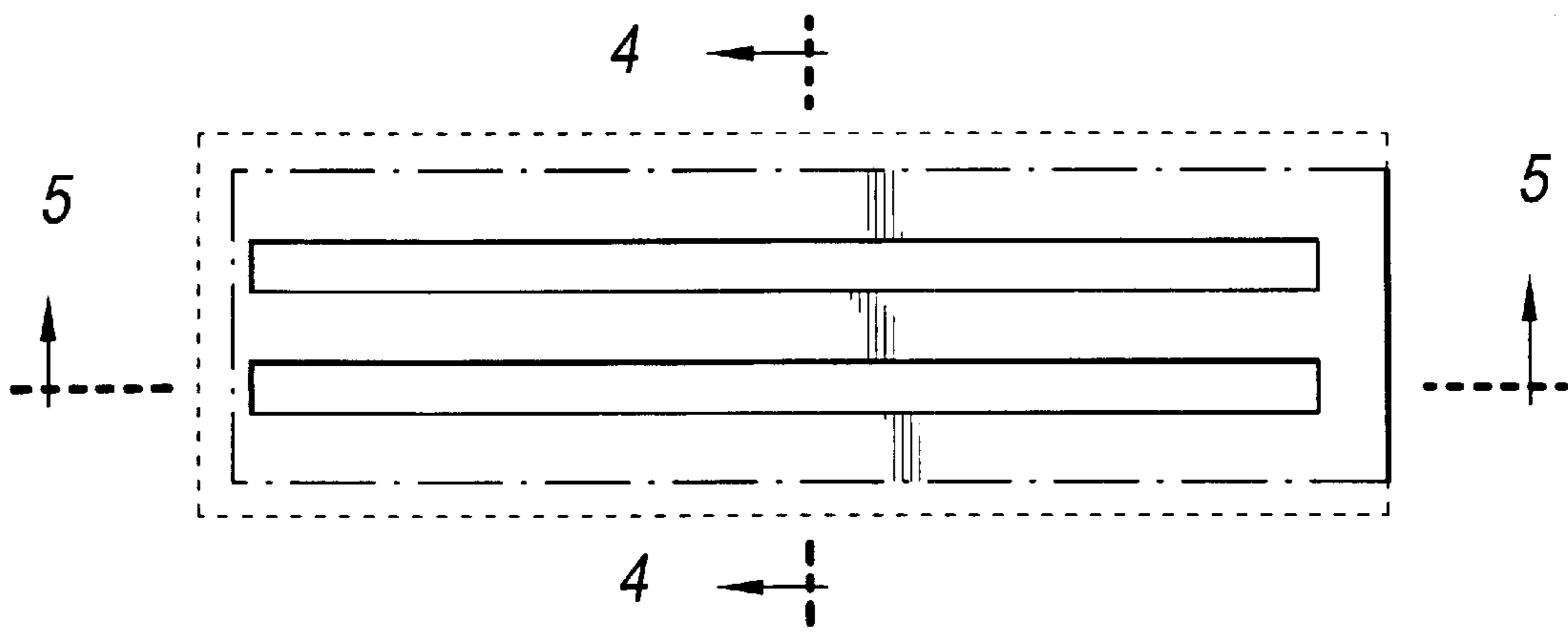


Fig. 2

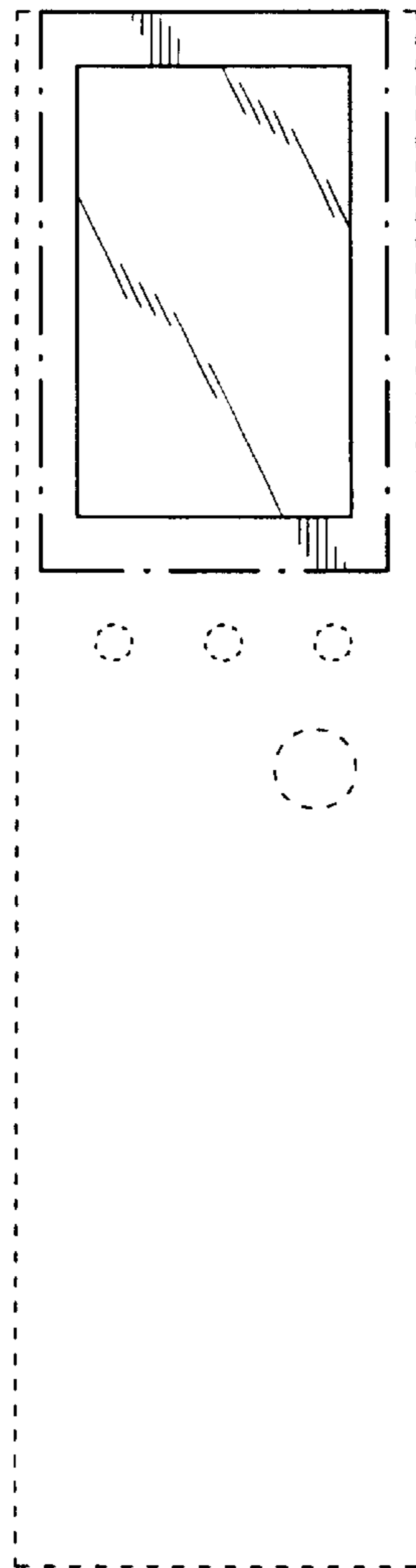


Fig. 3

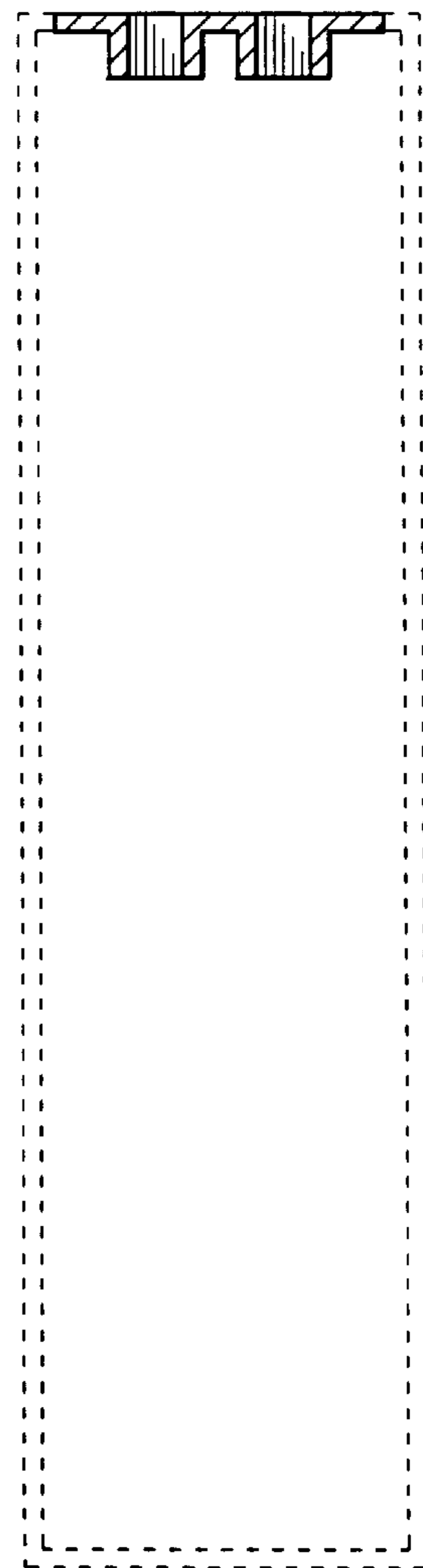


Fig. 4

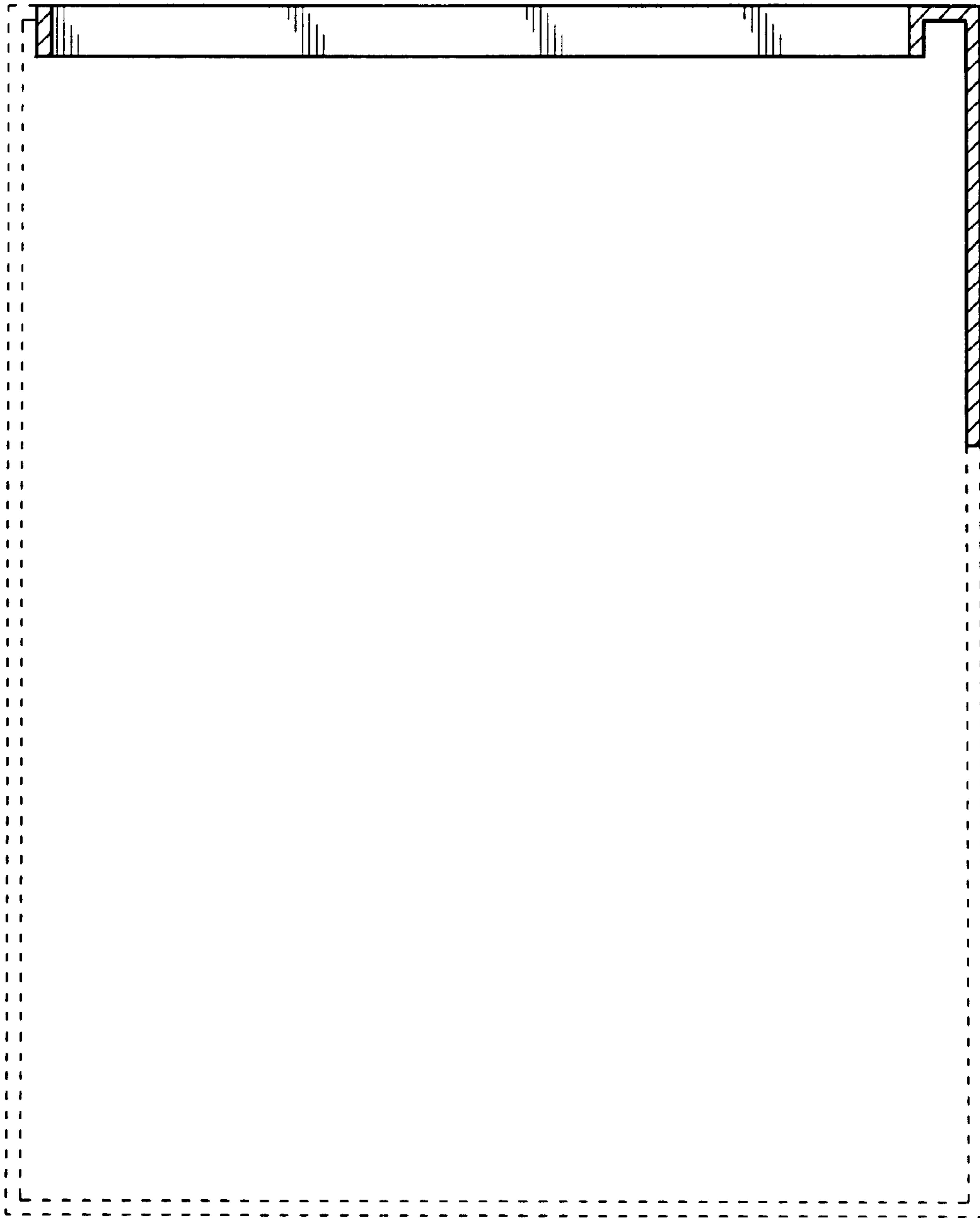


Fig. 5