



US00D461842S

(12) **United States Design Patent**
Hattori

(10) **Patent No.:** **US D461,842 S**

(45) **Date of Patent:** **** Aug. 20, 2002**

(54) **COMBINED TAPE PRINTING MACHINE
AND DETACHABLE PICTURE FRAME**

D442,987 S * 5/2001 Ikenaga D18/50
D451,290 S * 12/2001 Allen D6/300
6,334,724 B2 * 1/2002 Yamaguchi et al. 400/615.2

(75) Inventor: **Satoru Hattori**, Nagoya (JP)

* cited by examiner

(73) Assignee: **Brother Industries, Ltd.**, Nagoya (JP)

Primary Examiner—Cathy Anne MacCormac

(**) Term: **14 Years**

(74) *Attorney, Agent, or Firm*—Oliff & Berridge, PLC

(21) Appl. No.: **29/145,080**

(57) **CLAIM**

(22) Filed: **Jul. 17, 2001**

The ornamental design for a combined tape printing machine and detachable picture frame, as shown and described.

(51) **LOC (7) Cl.** **18-99**

(52) **U.S. Cl.** **D18/19; D18/50; D6/300**

DESCRIPTION

(58) **Field of Search** D18/50, 54-55,
D18/36-37, 14; 400/691-694, 690.1-690.4,
613, 613.1-613.4, 208, 621, 582, 61; D6/300;
40/725

FIG. 1 is a front view of a combined tape printing machine and detachable picture frame;
FIG. 2 is a left-side view thereof;
FIG. 3 is a right-side view thereof;
FIG. 4 is a top view thereof;
FIG. 5 is a bottom view thereof;
FIG. 6 is a rear view thereof;
FIG. 7 is a front perspective view thereof;
FIG. 8 is a rear perspective view thereof; and,
FIG. 9 is an exploded front perspective view thereof.

(56) **References Cited**

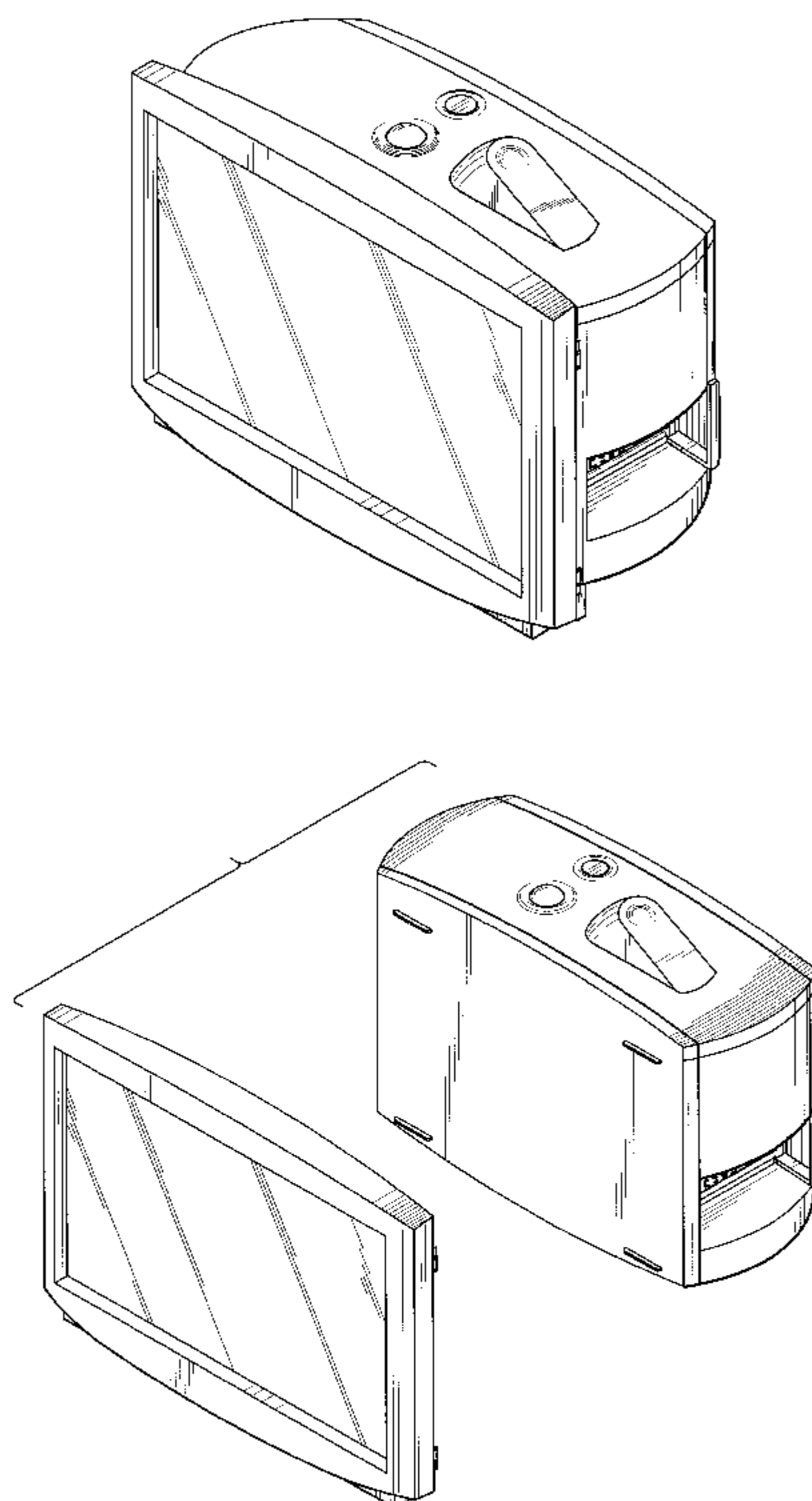
U.S. PATENT DOCUMENTS

3,347,134	A	*	10/1967	Nerwin	40/725
4,828,416	A	*	5/1989	Pensavecchia et al.	400/691
D335,963	S	*	6/1993	Tracey	D6/300
D343,856	S	*	2/1994	Chan	D18/50
D362,673	S	*	9/1995	Yamamoto	D18/19
5,538,352	A	*	7/1996	Sugiura	400/615.2
D389,510	S	*	1/1998	Mimoto	D18/19
D396,959	S	*	8/1998	Wolff	D6/300
5,988,898	A	*	11/1999	Ackley	400/61
D425,547	S	*	5/2000	Ishiura	D18/19
6,095,625	A	*	8/2000	Harris et al.	40/725
D440,246	S	*	4/2001	Yin	D18/50
6,219,950	B1	*	4/2001	Hsu	40/725

The broken lines define the bounds of the claimed design, but do not form part of the claimed design.

The design is embodied in a tape printing machine have a detachable frame mounted on the front face of the tape printing machine for displaying photographs or other illustrations within the frame. The frame can be detached from the tape printing machine.

1 Claim, 8 Drawing Sheets



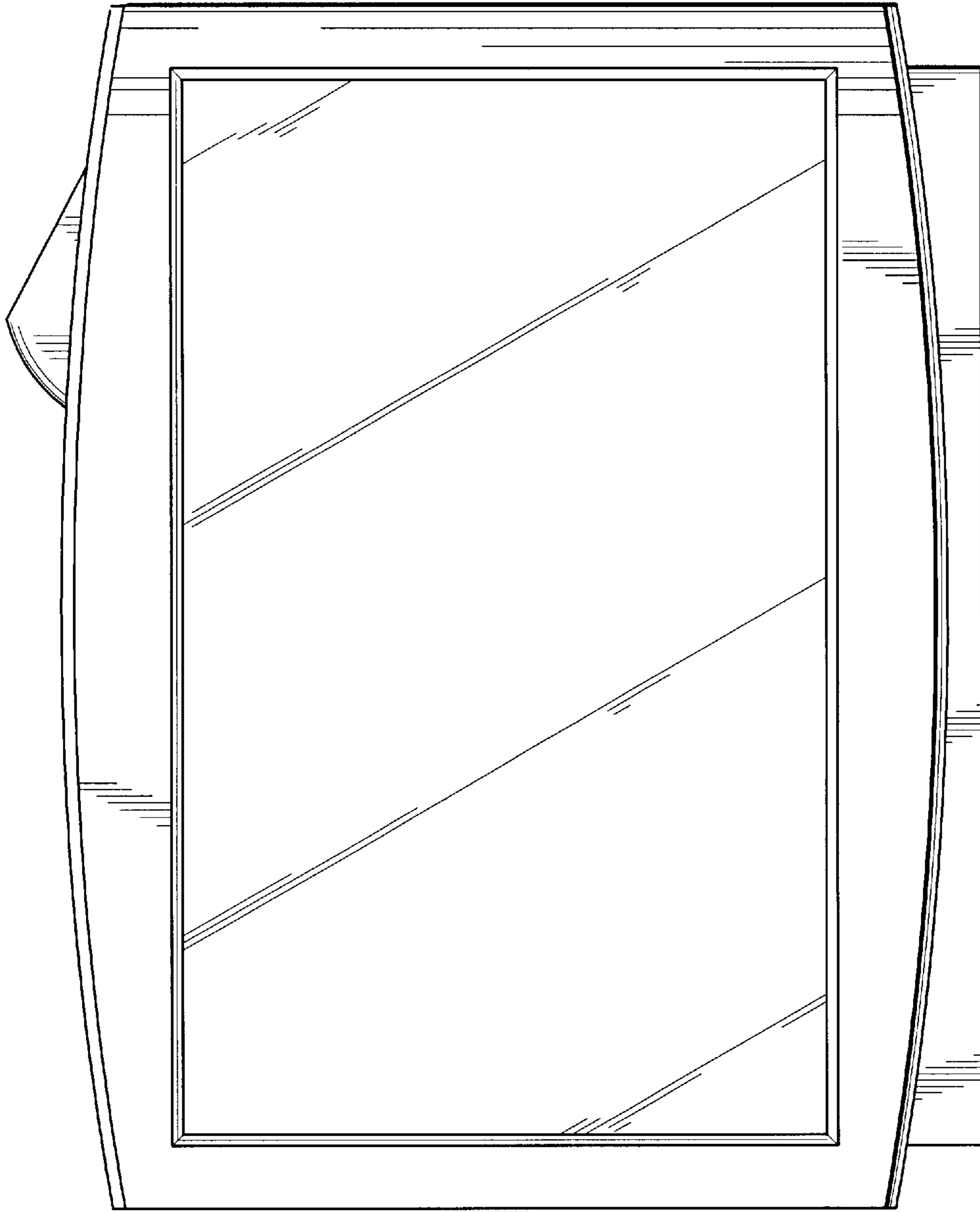


Fig. 1

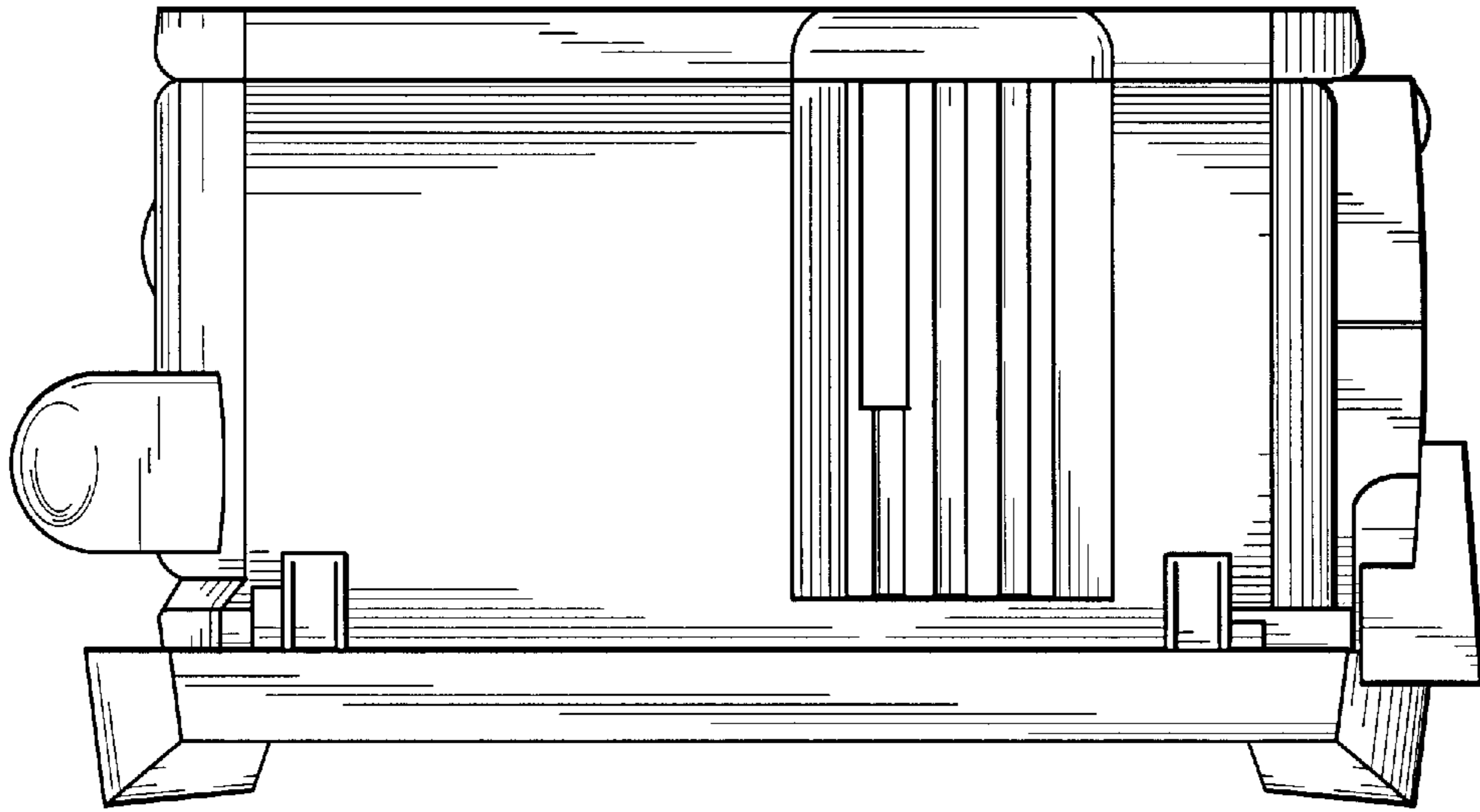


Fig. 3

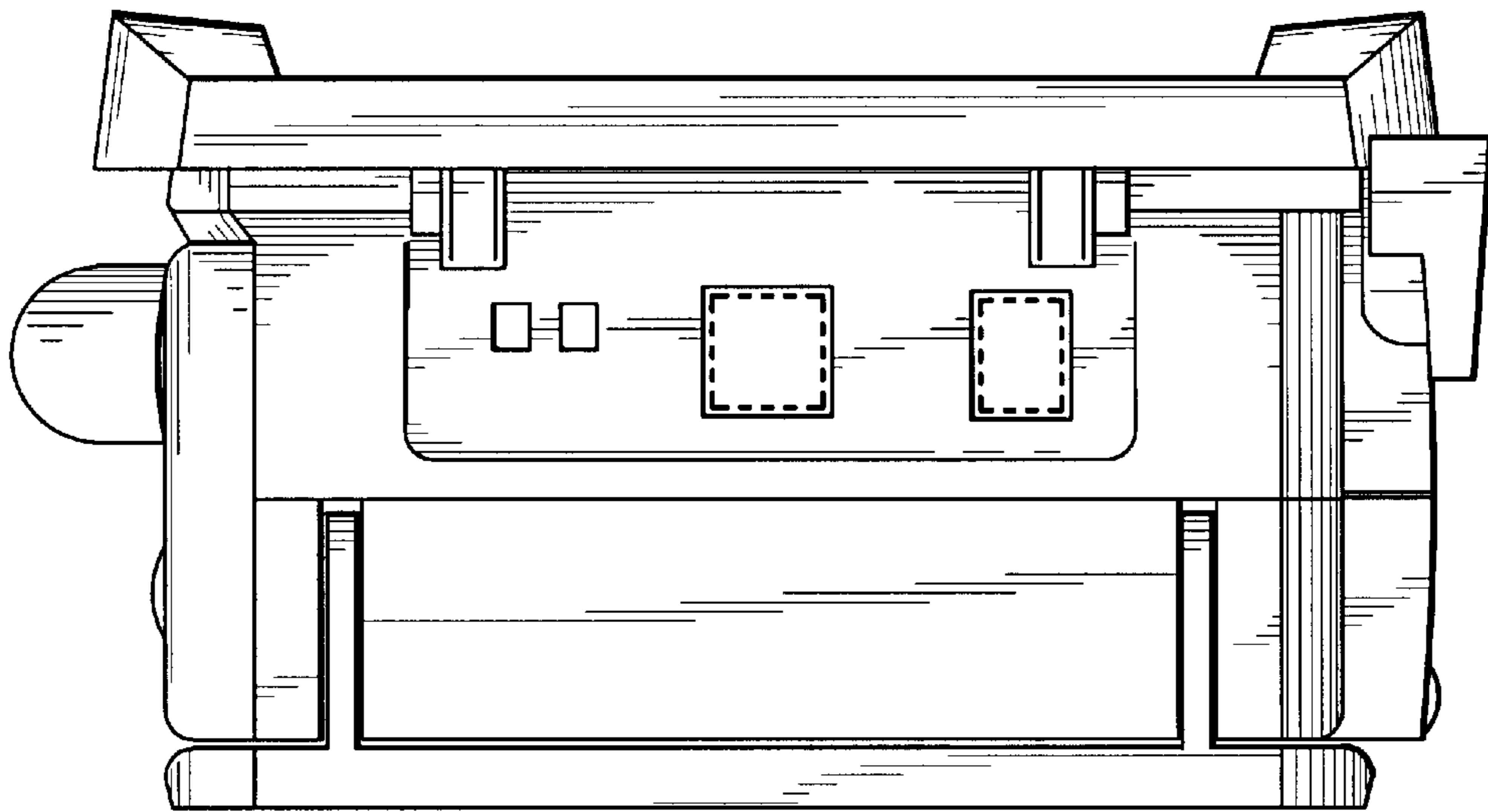


Fig. 2

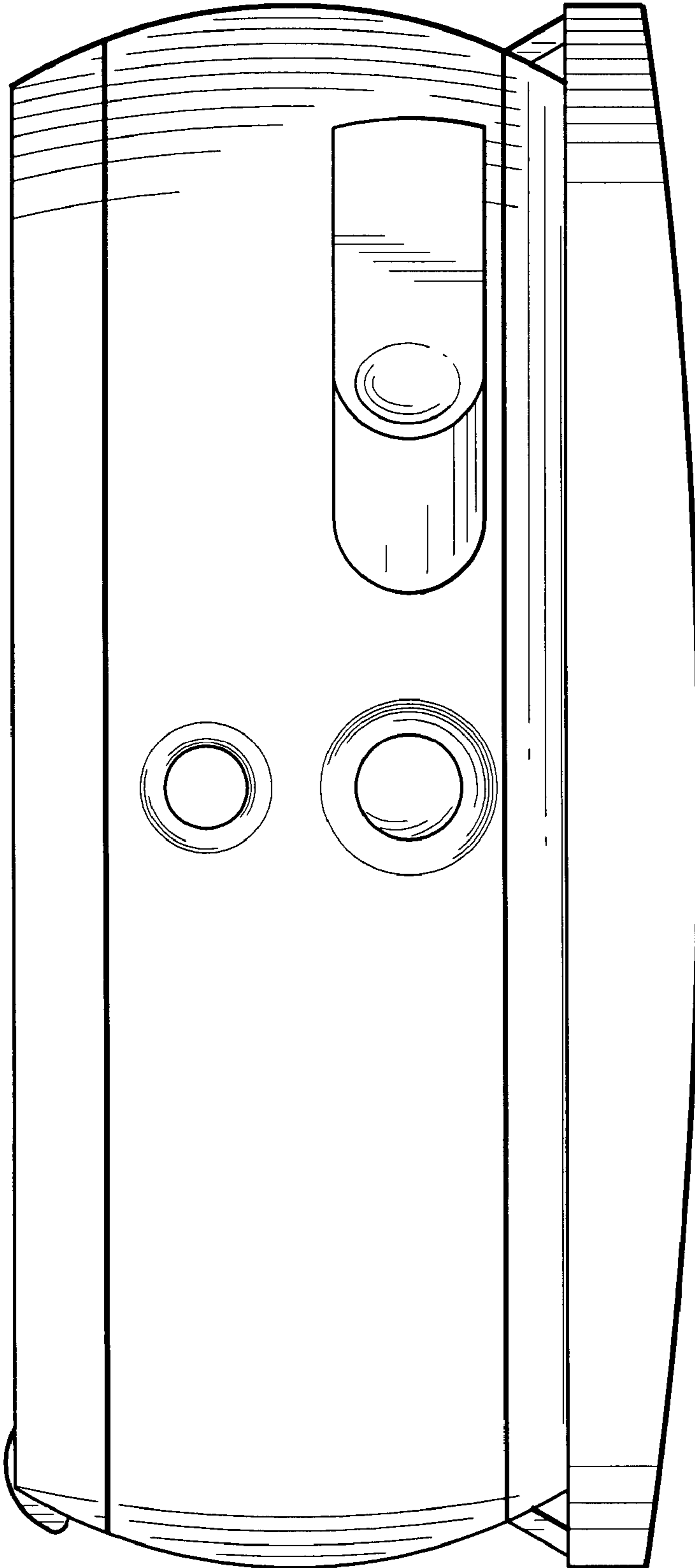


Fig. 4

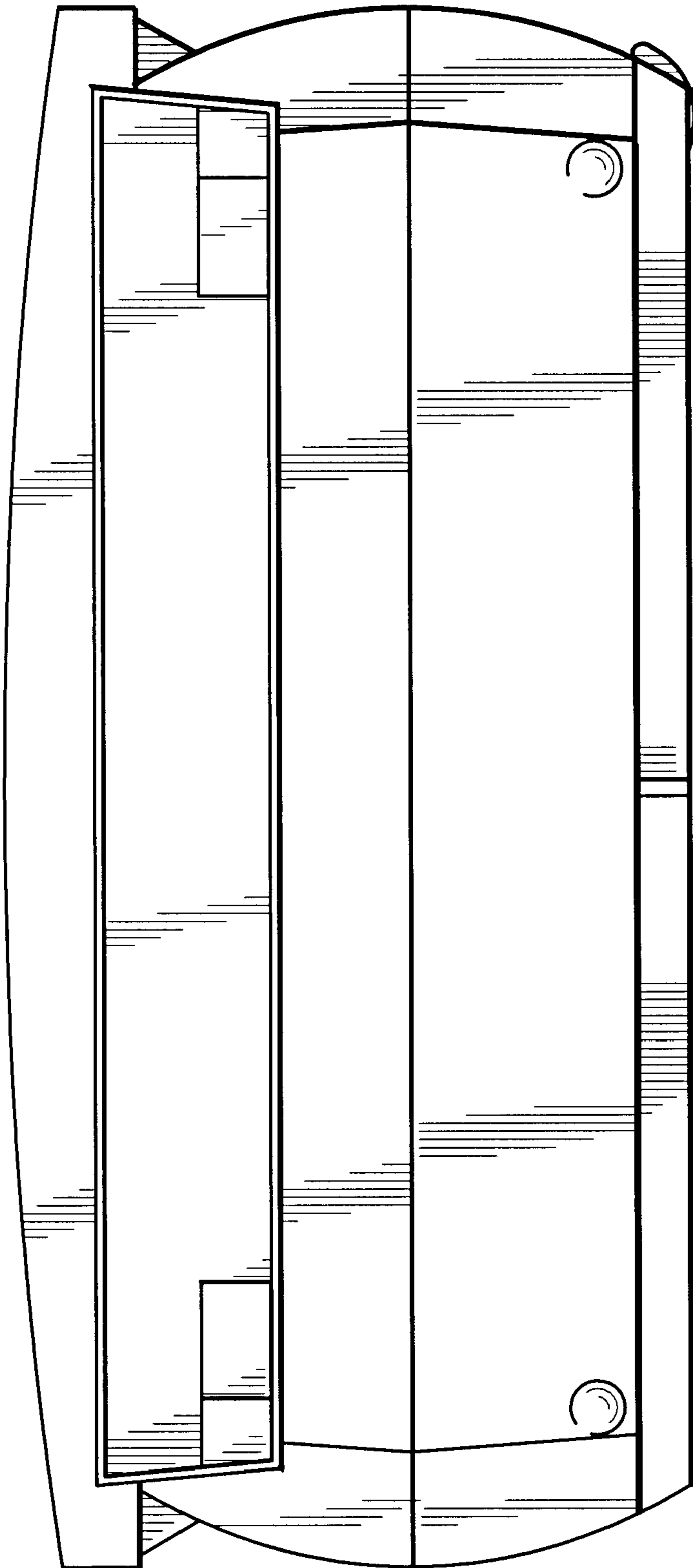


Fig. 5

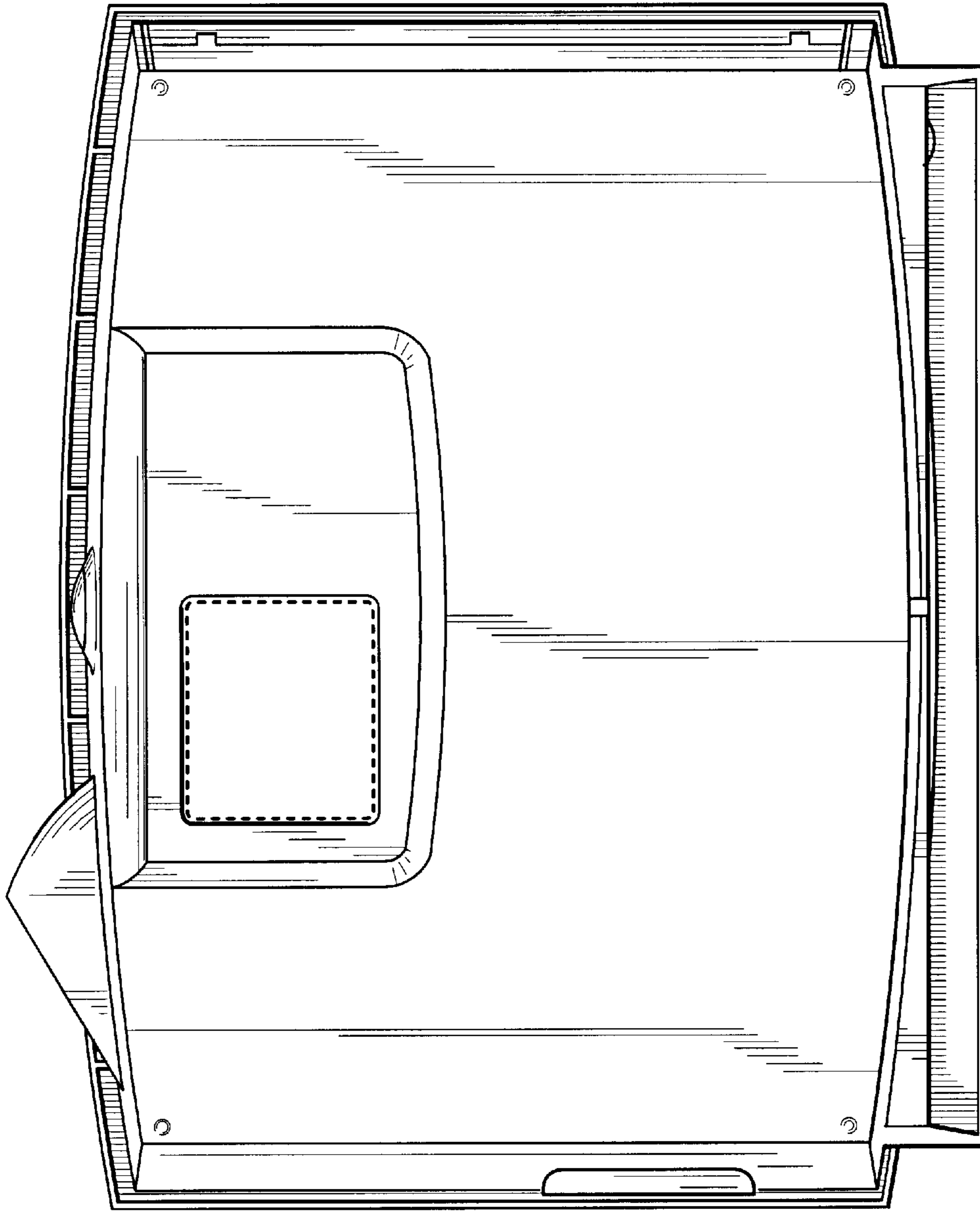


Fig. 6

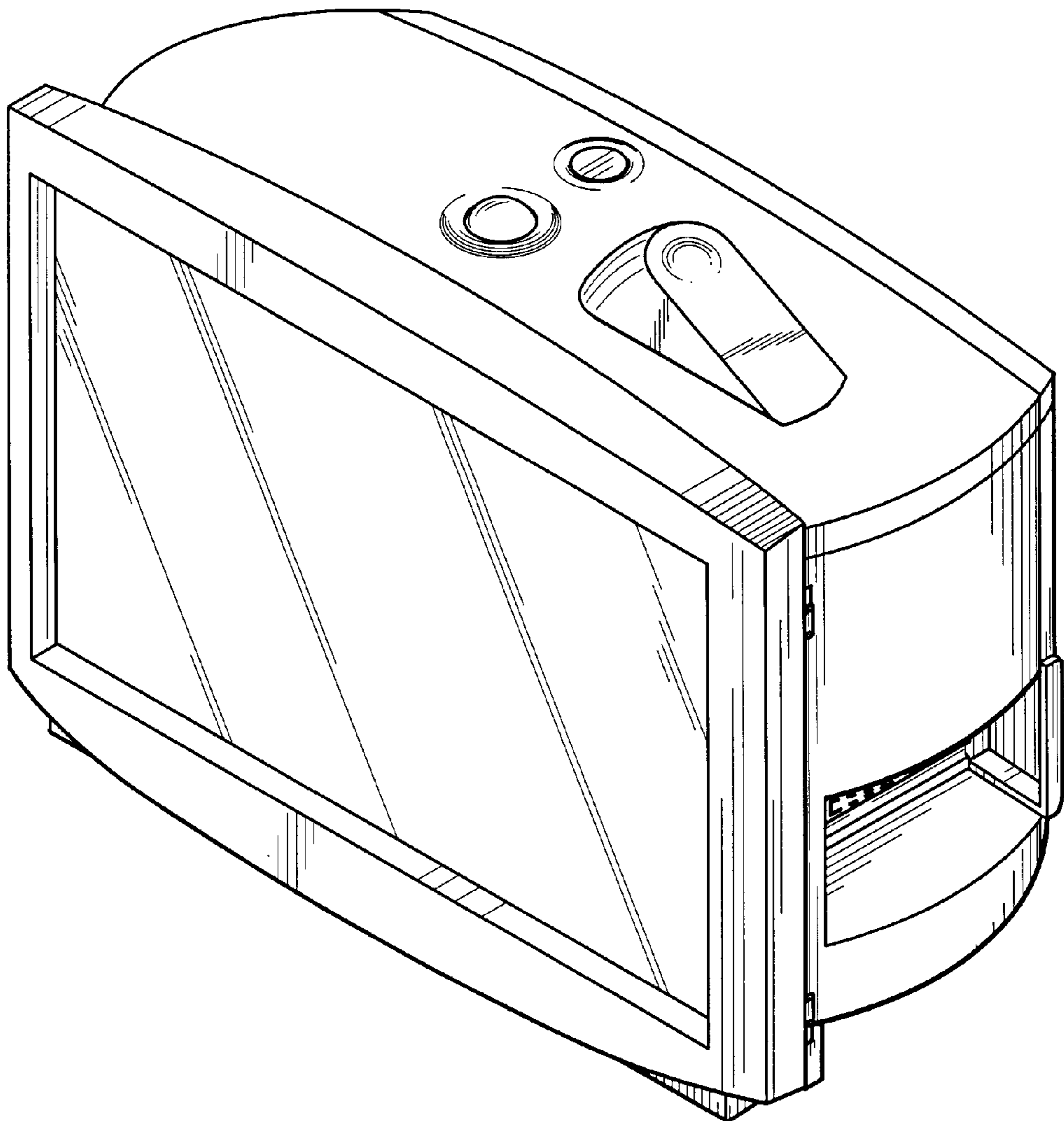


Fig. 7

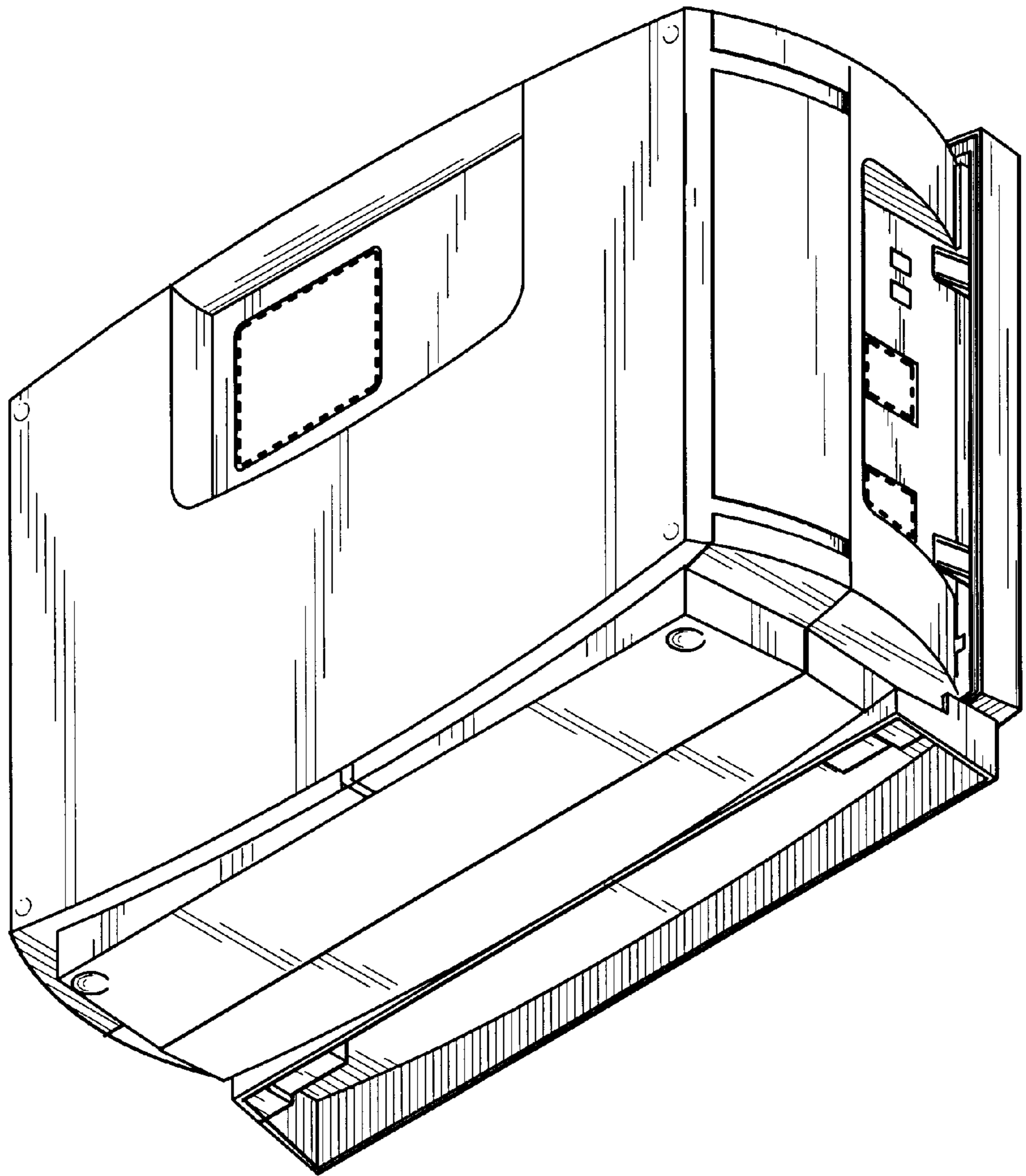


Fig. 8

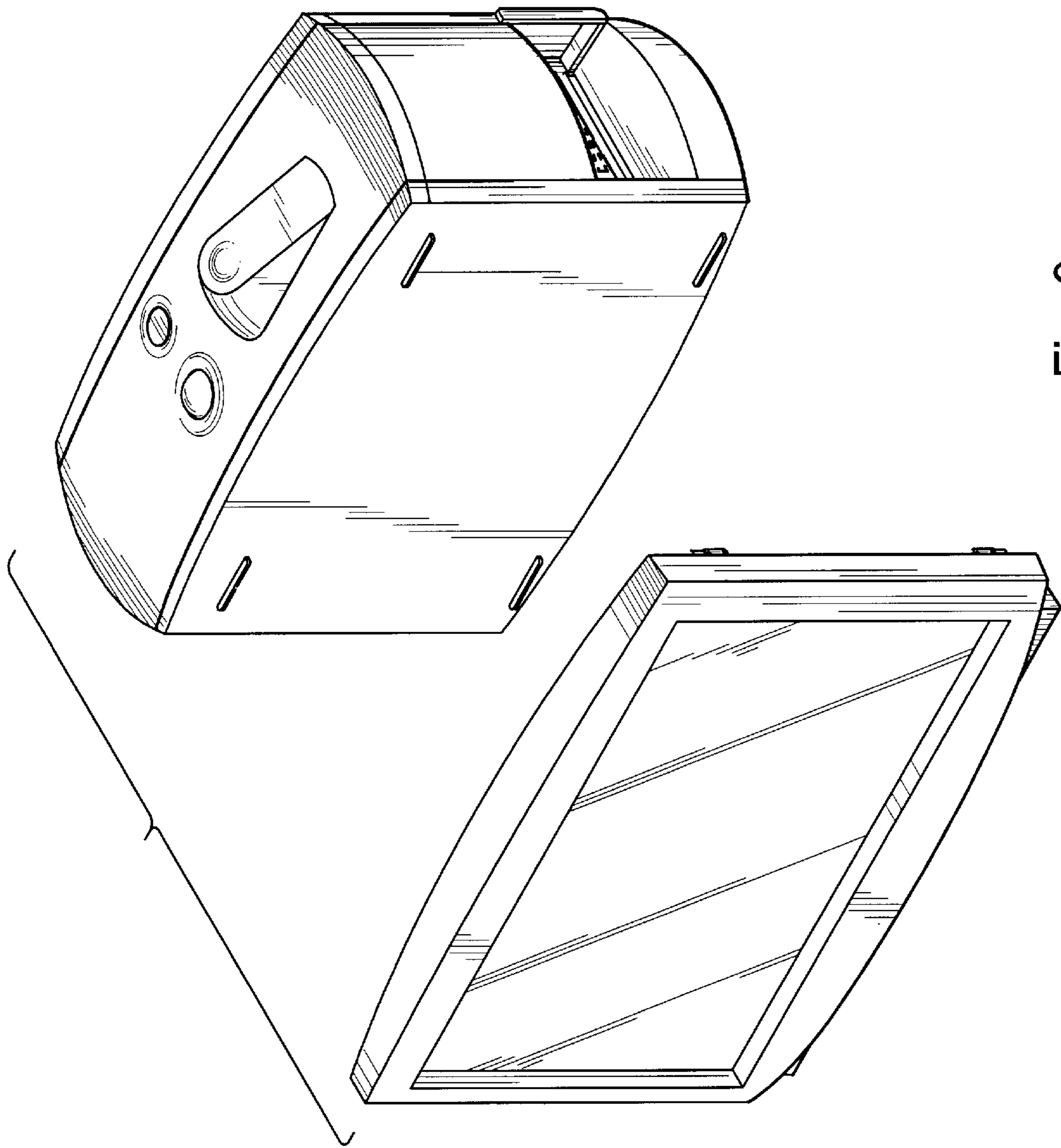


Fig. 9