



US00D461841S

(12) **United States Design Patent**
Goss

(10) **Patent No.:** **US D461,841 S**

(45) **Date of Patent:** **** Aug. 20, 2002**

(54) **SCREEN PRINTING RACK**

(76) **Inventor:** **Duke Goss**, 127 10th St. South,
Kirkland, WA (US) 98033

(**) **Term:** **14 Years**

(21) **Appl. No.:** **29/129,228**

(22) **Filed:** **Sep. 5, 2000**

(51) **LOC (7) Cl.** **19-02**

(52) **U.S. Cl.** **D18/14**

(58) **Field of Search** D18/56, 53, 14;
101/477, 123, 126, 124, 35

(56) **References Cited**

U.S. PATENT DOCUMENTS

1,776,459	A	*	9/1930	Tull et al.	101/123
3,318,237	A	*	5/1967	Ramsey	D18/53
3,788,215	A	*	1/1974	Lambert	101/123
D231,574	S	*	4/1974	Landesman	D18/53
3,874,289	A	*	4/1975	Valentin	101/123
D238,515	S	*	1/1976	Landesman	D18/53
4,413,559	A	*	11/1983	Bubley	101/123
4,628,814	A	*	12/1986	Klemm	101/123
5,176,076	A	*	1/1993	Azuma et al.	101/123
5,343,802	A	*	9/1994	Shimada	101/35
5,694,843	A	*	12/1997	Chen	101/123
D418,861	S	*	1/2000	Goss	D18/14
6,041,702	A	*	3/2000	Ichikawa et al.	101/35
6,092,463	A	*	7/2000	Onishi et al.	101/123

6,101,937	A	*	8/2000	Murakami	101/123
6,101,938	A	*	8/2000	Adams	101/126
6,202,551	B1	*	3/2001	Murakami	101/123
6,237,486	B1	*	5/2001	Firth	101/123
6,334,393	B1	*	1/2002	Asai et al.	101/477

* cited by examiner

Primary Examiner—Cathy Anne MacCormac
(74) *Attorney, Agent, or Firm*—Delbert J. Barnard

(57) **CLAIM**

The ornamental design for a screen printing rack, as shown and described.

DESCRIPTION

A portion of the disclosure of this patent document contains material which is subject to copyright protection. The copyright owner has no objection to the facsimile reproduction by anyone of the patent document or the patent disclosure, as it appears in the Patent and Trademark Office patent file or records, but reserves all copyright rights whatsoever.

FIG. 1 is a top right perspective view of the screen printing rack showing my new design:

FIG. 2 is a left side elevational view thereof;

FIG. 3 is a right side elevational view thereof;

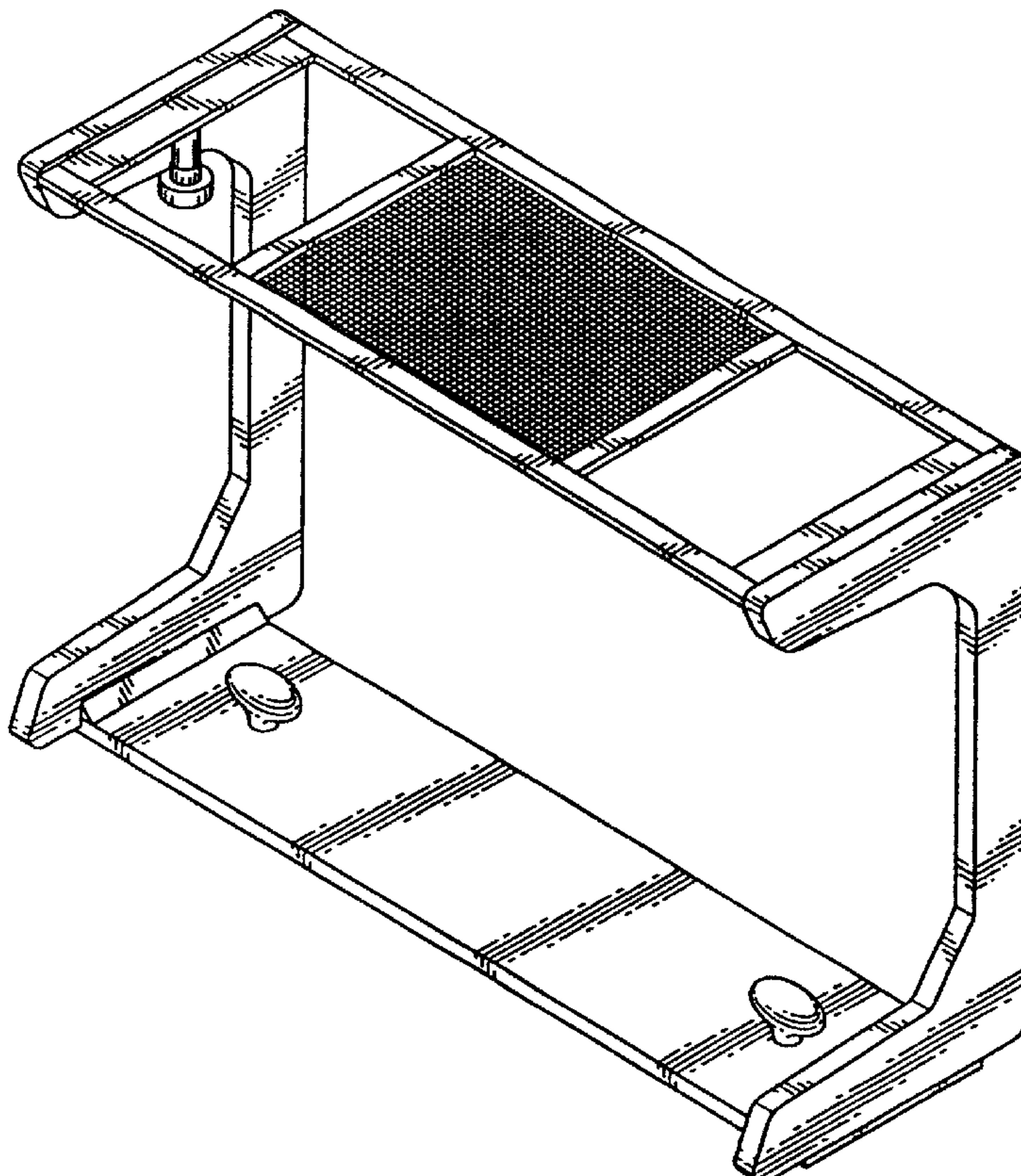
FIG. 4 is a front elevational view thereof;

FIG. 5 is a rear elevational view thereof;

FIG. 6 is a top plan view thereof; and,

FIG. 7 is a bottom plan view thereof.

1 Claim, 3 Drawing Sheets



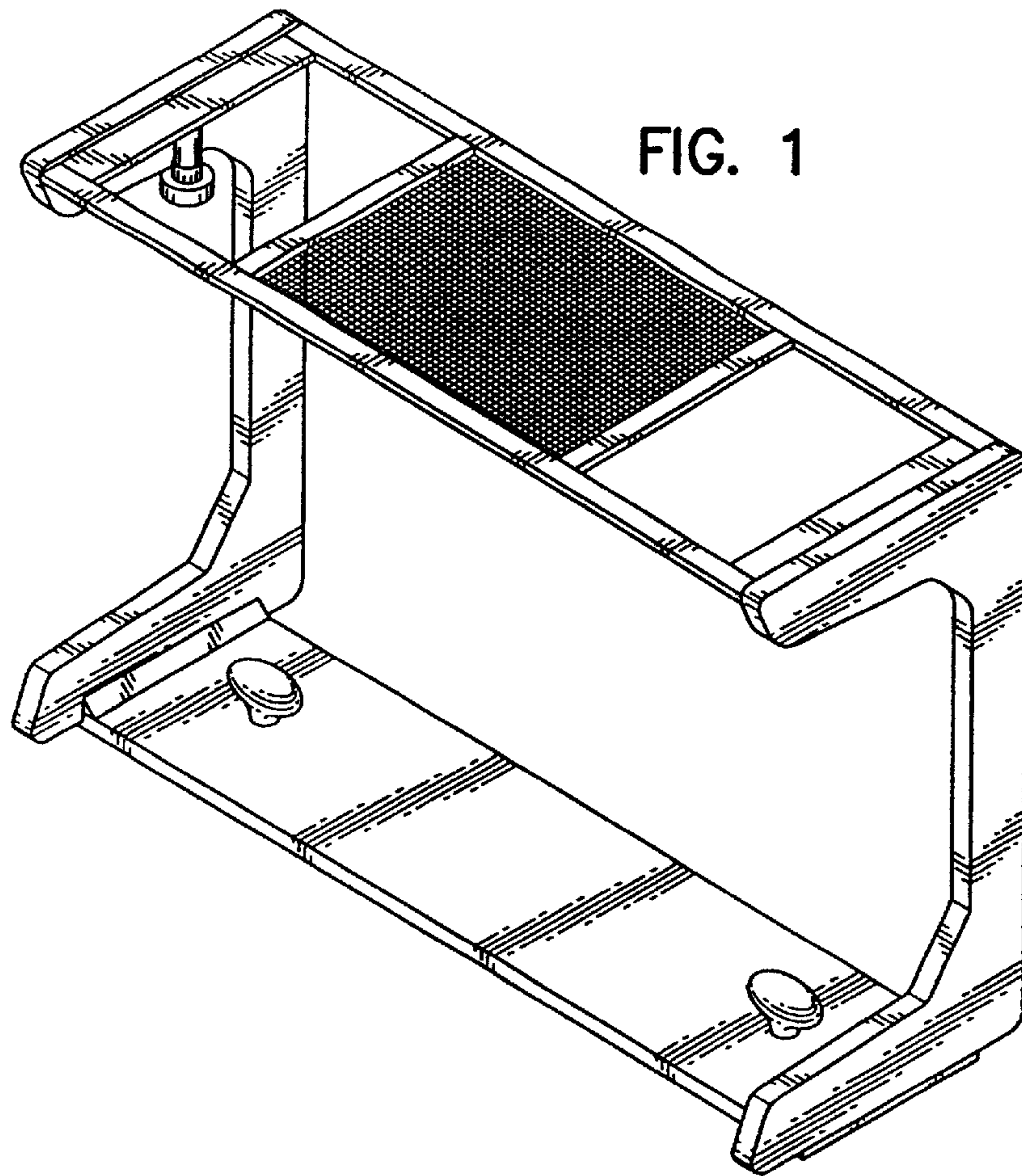


FIG. 1

FIG. 2

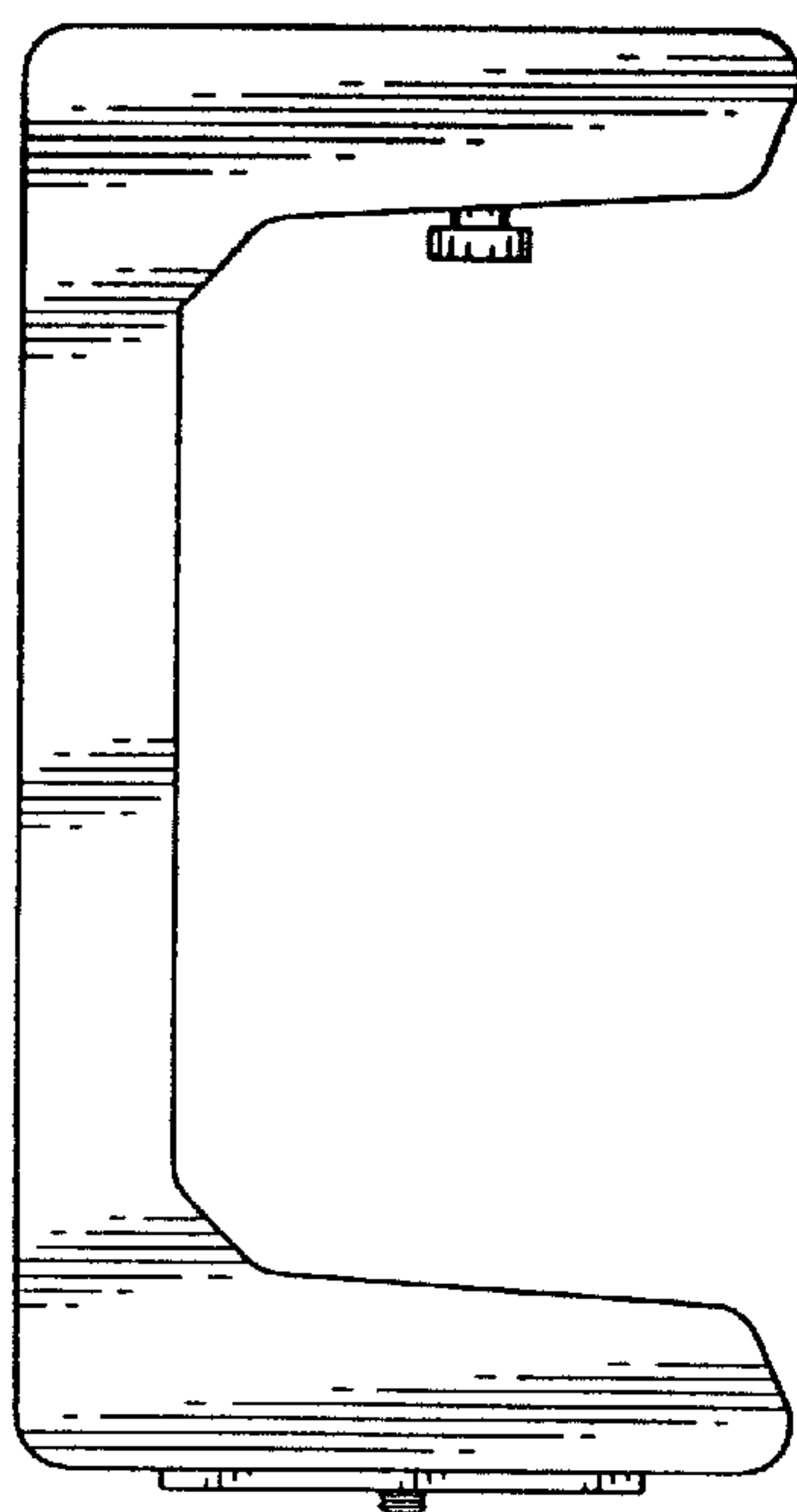


FIG. 3



FIG. 4

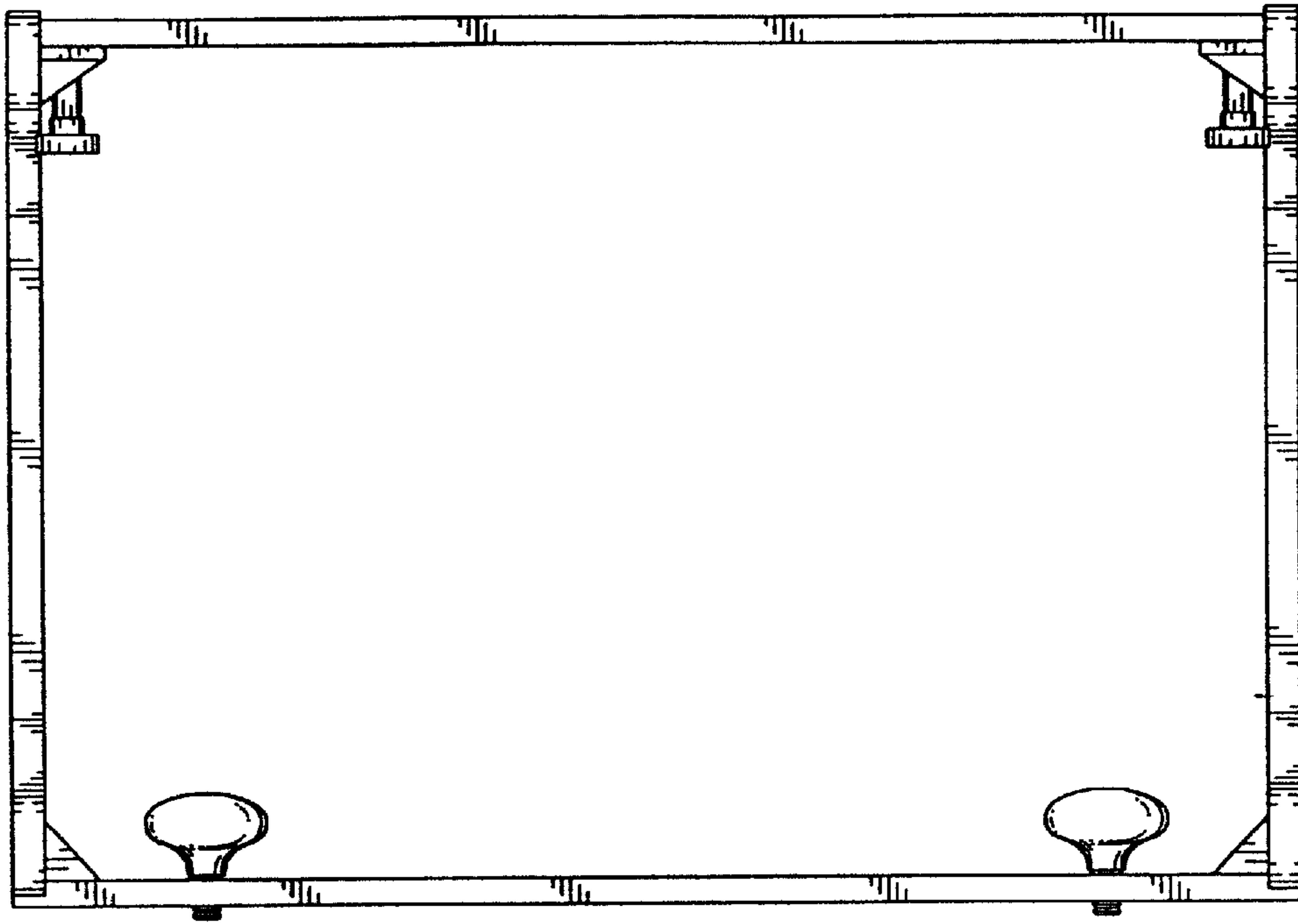


FIG. 5

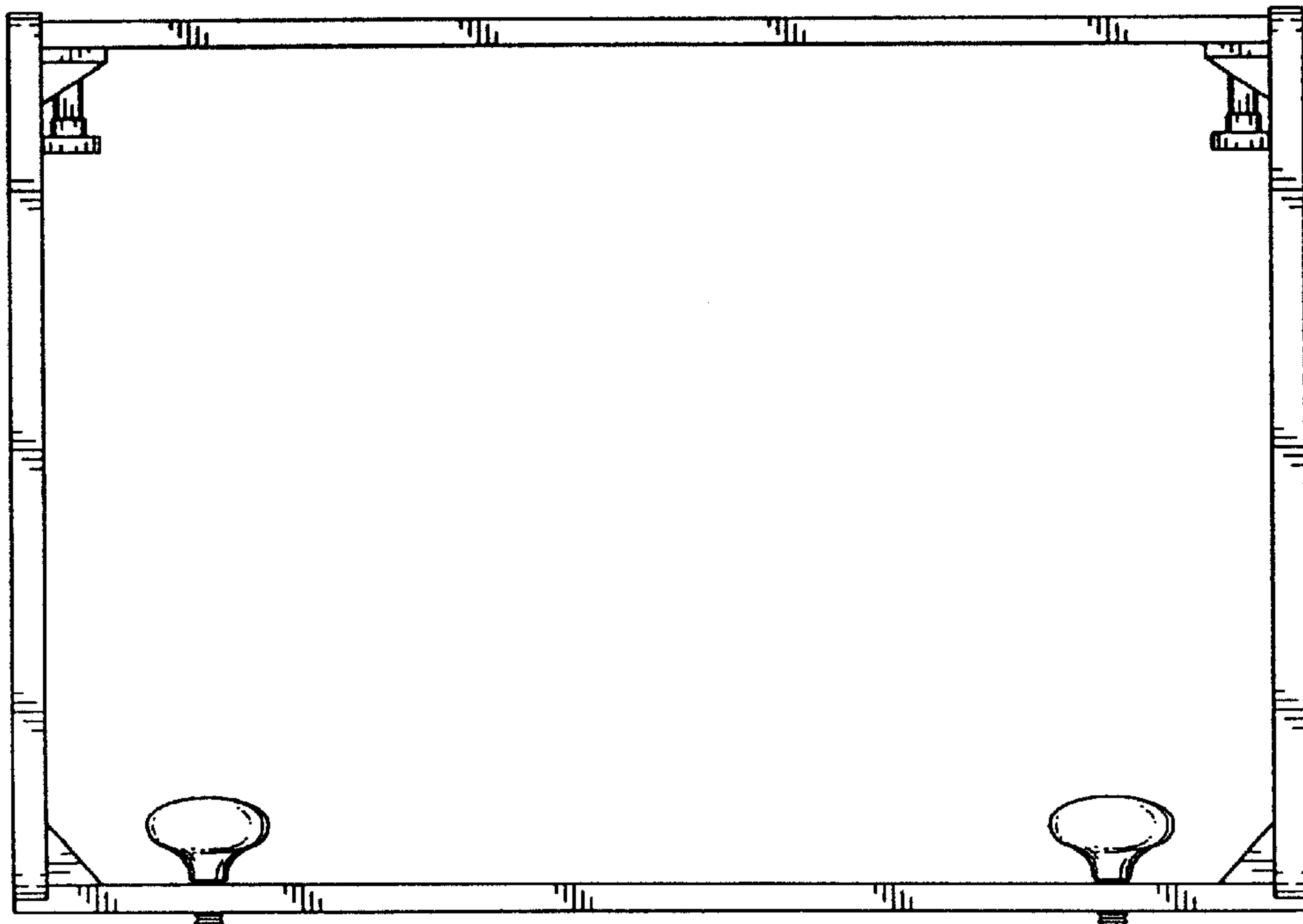


FIG. 6

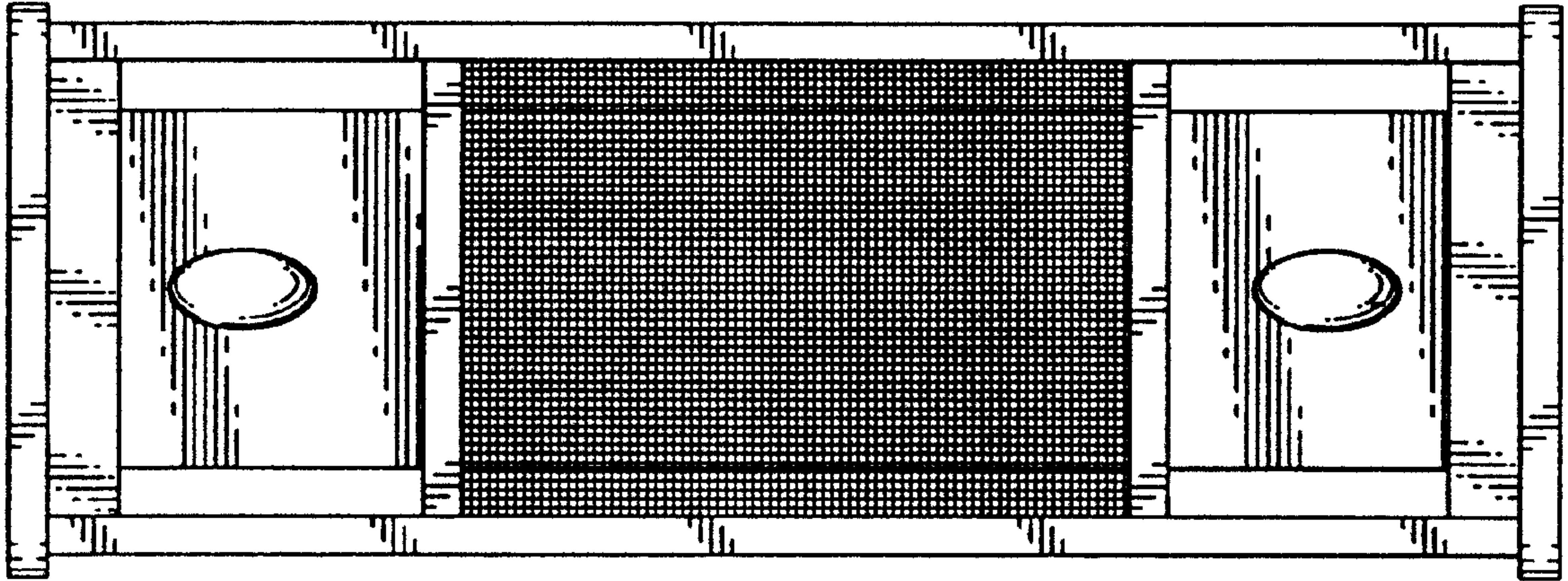


FIG. 7

