



US00D461837S

(12) **United States Design Patent**  
**Chan**

(10) **Patent No.:** **US D461,837 S**

(45) **Date of Patent:** **\*\* Aug. 20, 2002**

(54) **VOICE SYNTHESIZER**

(75) Inventor: **Ho Man Herman Chan, Tsing Yi (CN)**

(73) Assignee: **Potex Toys Manufacturer Ltd., Kwai Chung (CN)**

(\*\*) Term: **14 Years**

(21) Appl. No.: **29/143,897**

(22) Filed: **Jun. 21, 2001**

(30) **Foreign Application Priority Data**

Jan. 8, 2001 (HK) ..... 0110044

(51) **LOC (7) Cl.** ..... **17-01**

(52) **U.S. Cl.** ..... **D17/1**

(58) **Field of Search** ..... D17/1, 2, 5, 7,  
D17/9; 84/174-177, 423 R, 644, 670, 719,  
744, 622, DIG. 3, DIG. 7

(56) **References Cited**

**U.S. PATENT DOCUMENTS**

5,157,213 A	*	10/1992	Kashio et al.	.....	84/622
D400,910 S	*	11/1998	Mikage	.....	D17/1
D425,105 S	*	5/2000	Saito	.....	D17/1
D441,003 S	*	4/2001	Chan	.....	D17/1
D444,492 S	*	7/2001	Saito	.....	D17/1

**OTHER PUBLICATIONS**

Music Trades, Feb. 1989 p. 62 (Peavy electronic keyboard).\*

Yamaha Catalog, Sep. 1995 p. 9 (PSR-185 & PSR-77 keyboards).\*

\* cited by examiner

*Primary Examiner*—Adir Aronovich

(74) *Attorney, Agent, or Firm*—Alix, Yale & Ristas, LLP

(57) **CLAIM**

The ornamental design for a voice synthesizer, as shown and described.

**DESCRIPTION**

FIG. 1 is a front perspective view of the voice synthesizer showing my new design;

FIG. 2 is a top plan view of the voice synthesizer of FIG. 1;

FIG. 3 is a front view of the voice synthesizer of FIG. 1;

FIG. 4 is a rear view of the voice synthesizer of FIG. 1;

FIG. 5 is a bottom plan view of the voice synthesizer of FIG. 1;

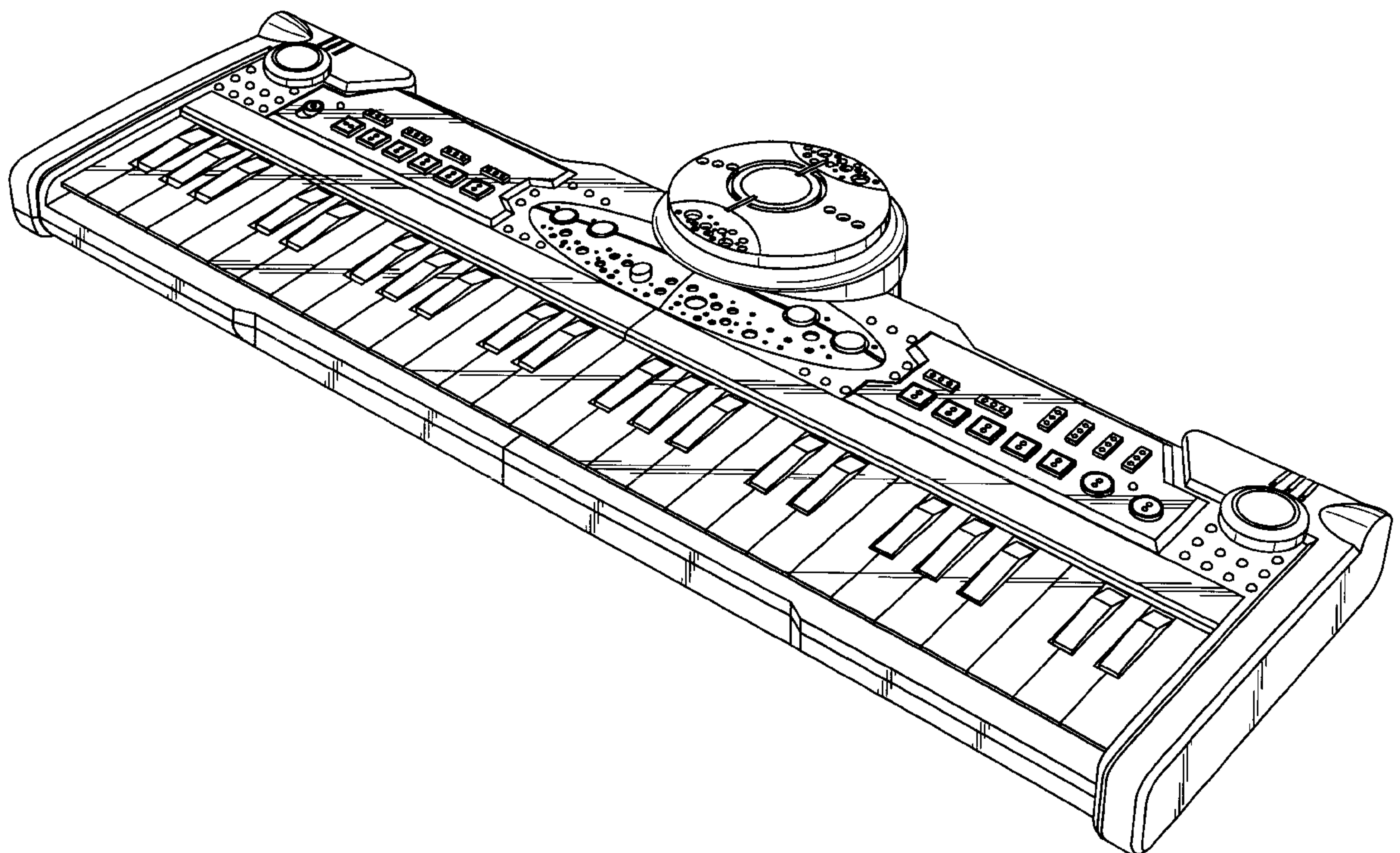
FIG. 6 is a left side view of the voice synthesizer of FIG. 1;

FIG. 7 is a right side view of the voice synthesizer of FIG. 1;

and,

FIG. 8 is a top plan view in a folded position of the voice synthesizer of FIG. 1.

**1 Claim, 6 Drawing Sheets**



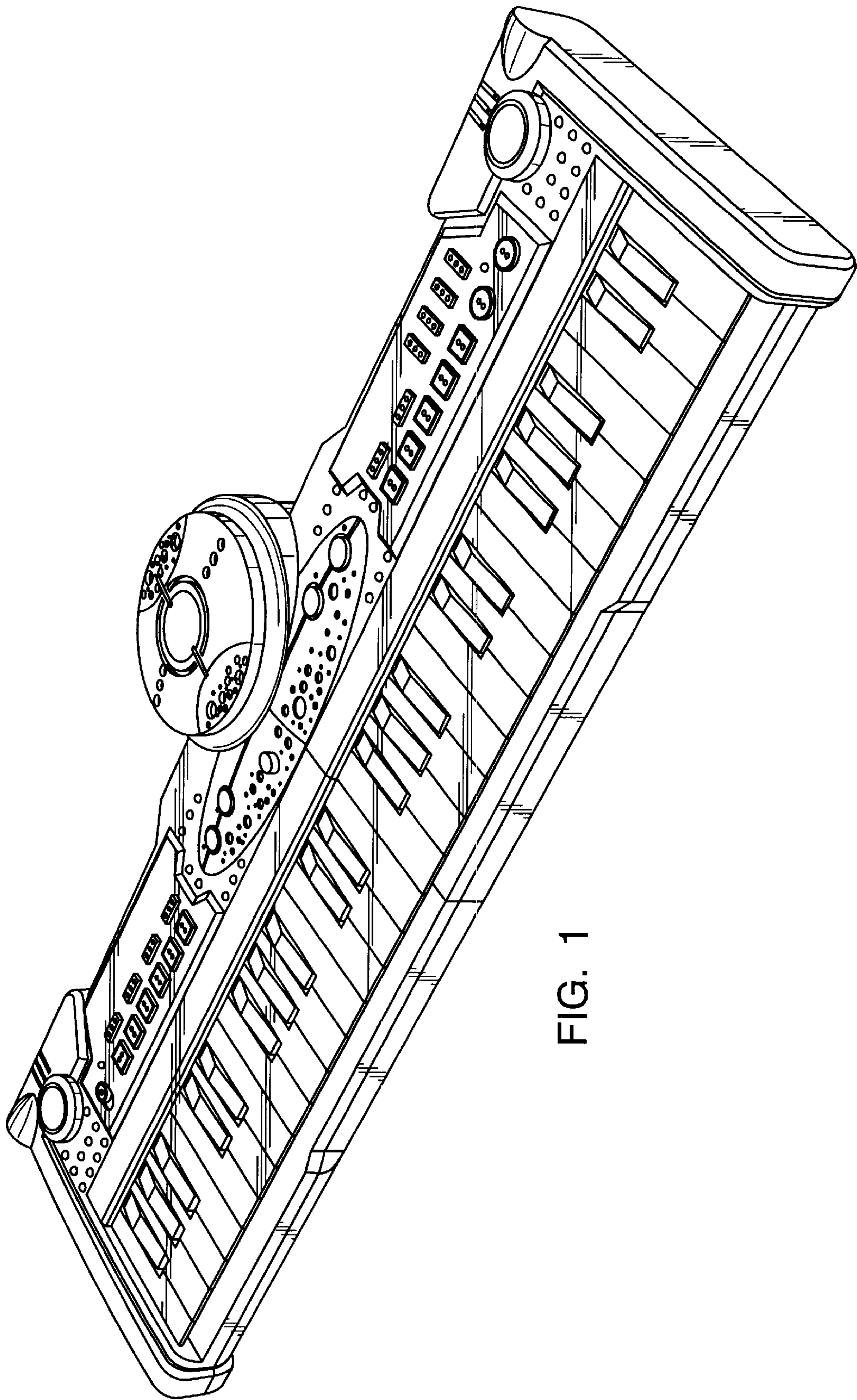


FIG. 1



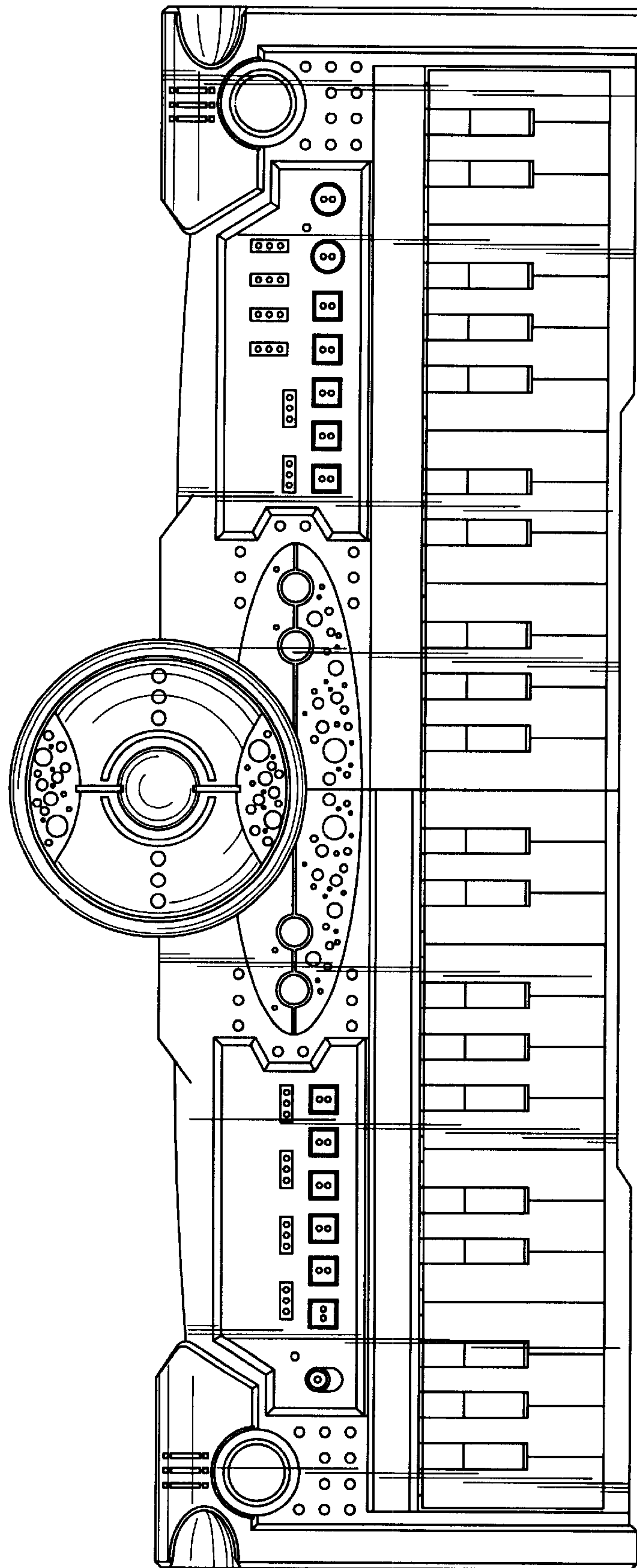


FIG. 2

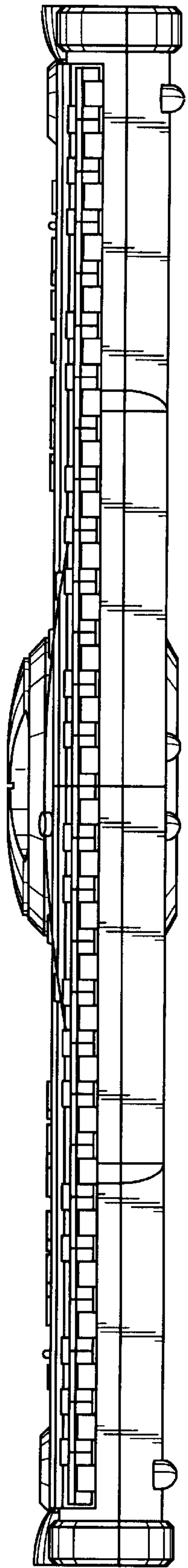


FIG. 3

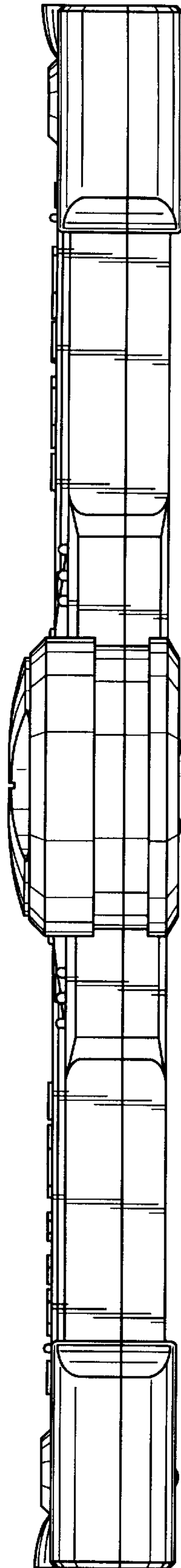


FIG. 4

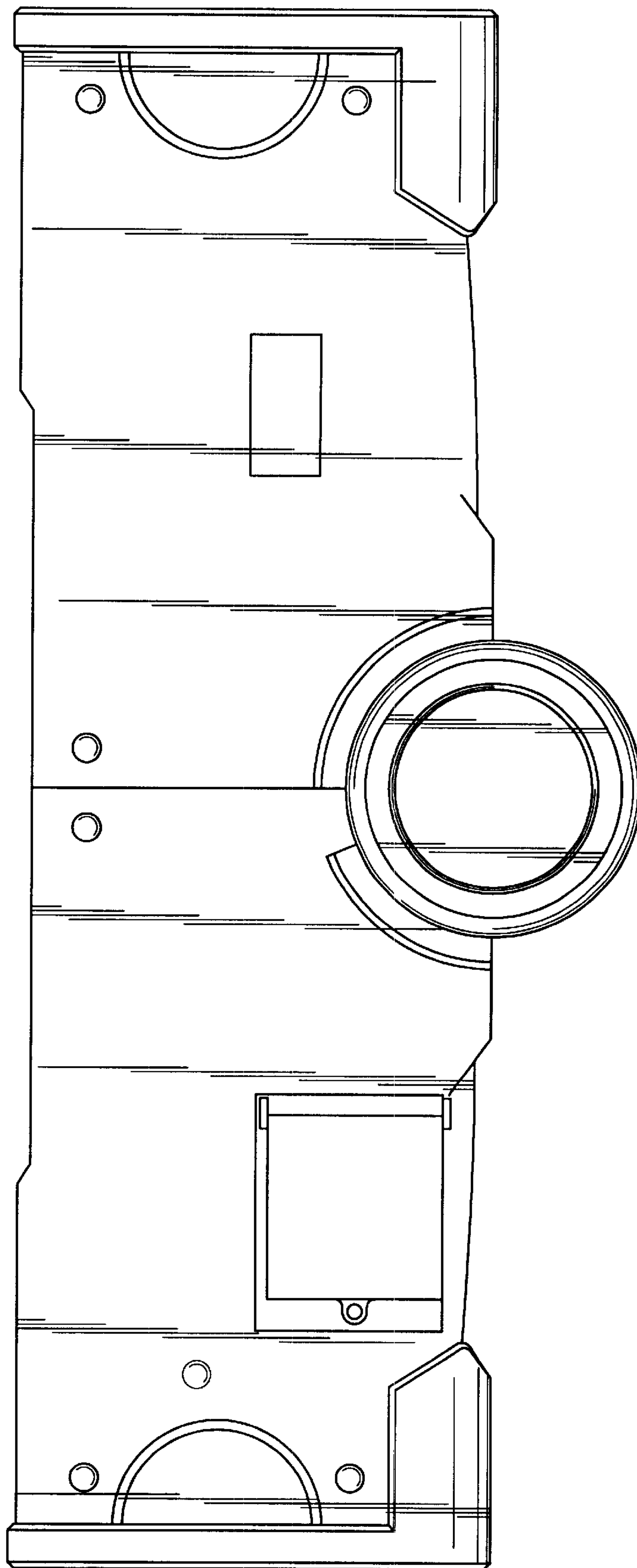


FIG. 5

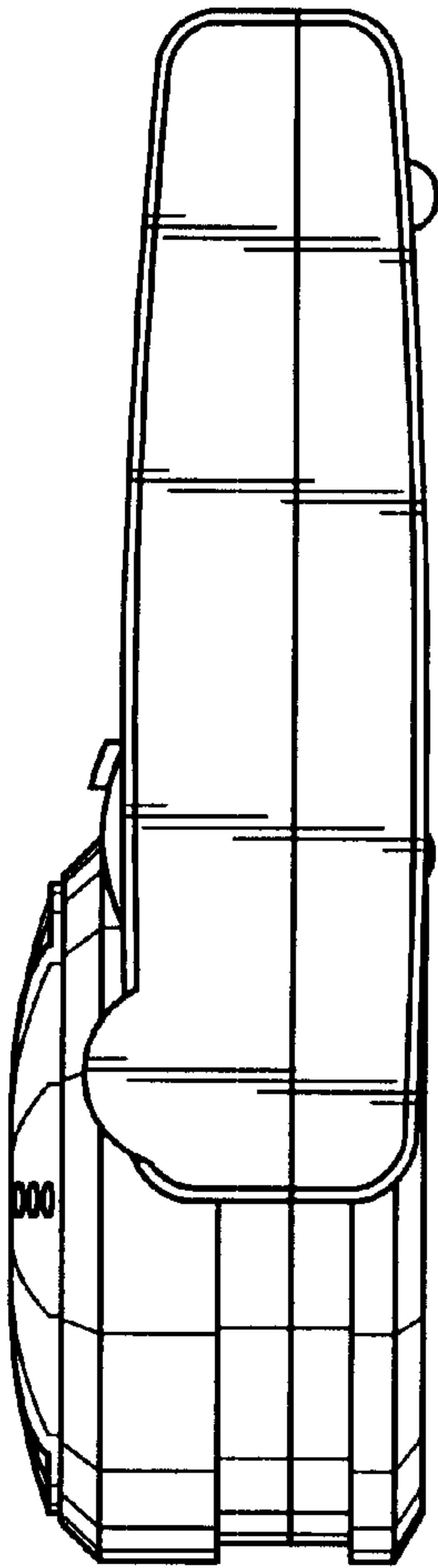


FIG. 6

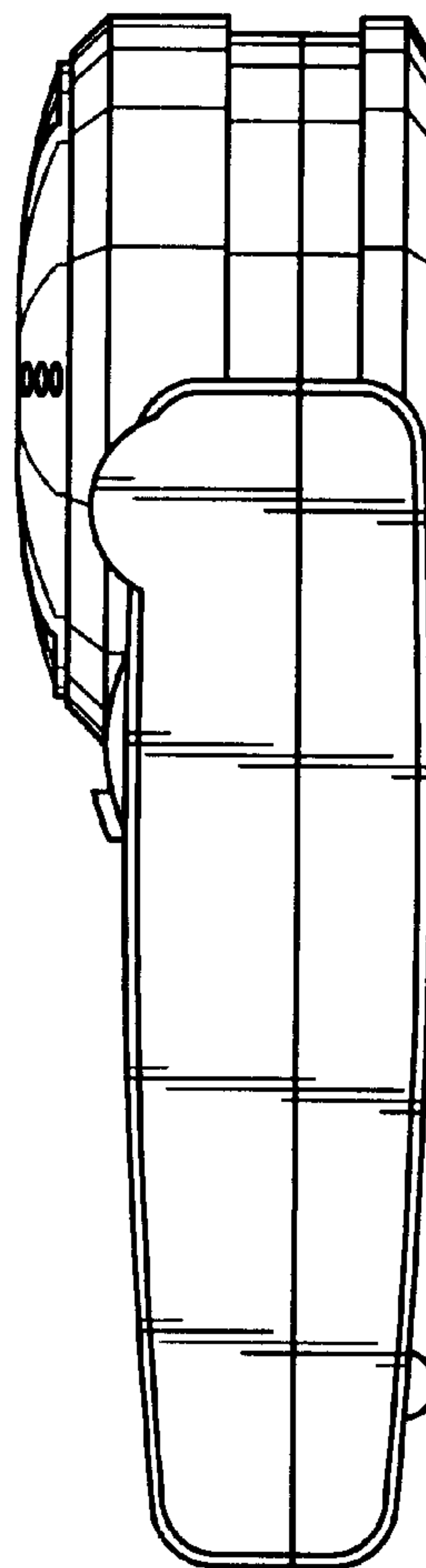


FIG. 7

FIG. 8

