



US00D461833S

(12) **United States Design Patent**  
**Gist et al.**

(10) **Patent No.:** **US D461,833 S**

(45) **Date of Patent:** **\*\* Aug. 20, 2002**

(54) **TABLE SAW**

(75) Inventors: **Leslie D. Gist; Randy Cooper; Todd Chipner; Rockne W. Behne; John C. Smith**, all of Jackson; **Zhilong Zhang**, Collierville; **Phil David**, Jackson, all of TN (US)

(73) Assignee: **Porter-Cable Corporation**, Jackson, TN (US)

(\*\*) Term: **14 Years**

(21) Appl. No.: **29/137,901**

(22) Filed: **Mar. 1, 2001**

(51) **LOC (7) Cl.** ..... **15-09**

(52) **U.S. Cl.** ..... **D15/133**

(58) **Field of Search** ..... D15/133; 83/432, 83/435, 468.7, 477, 477.2, 478, 522.3, 522.1; 269/318, 166, 180

(56) **References Cited**

**U.S. PATENT DOCUMENTS**

D394,071 S	5/1998	Ceroll et al.	
D395,322 S	6/1998	Ceroll et al.	
D410,474 S	6/1999	Ceroll et al.	
D425,529 S	5/2000	Svetlik	
D437,605 S	* 2/2001	Schoene et al.	D15/133
D442,190 S	* 5/2001	Chen	D15/133

**OTHER PUBLICATIONS**

“Bench Top Saws”, Seven Corners Hardware, St. Paul, Minnesota, 1999 “Tools On Sale,” catalogue cover page and pp. 262–263.

\* cited by examiner

*Primary Examiner*—Antoine Duval Davis

(74) *Attorney, Agent, or Firm*—Merchant & Gould P.C.

(57) **CLAIM**

The ornamental design for a table saw, as shown and described.

**DESCRIPTION**

FIG. 1 is a front top left perspective view of a first embodiment of a table saw with rails in an extended position showing our new design.

FIG. 2 is a front elevational view thereof.

FIG. 3 is a rear elevational view thereof.

FIG. 4 is a right side elevational view thereof.

FIG. 5 is a left side elevational view thereof.

FIG. 6 is a top plan view thereof.

FIG. 7 is a bottom plan view thereof.

FIG. 8 is a front top and left perspective view of a second embodiment of a table saw with rails in a retracted position showing our new design.

FIG. 9 is a front elevational view thereof.

FIG. 10 is a rear elevational view thereof.

FIG. 11 is a right side elevational view thereof.

FIG. 12 is a left side elevational view thereof.

FIG. 13 is a top plan view thereof; and,

FIG. 14 is a bottom plan view thereof.

**1 Claim, 14 Drawing Sheets**

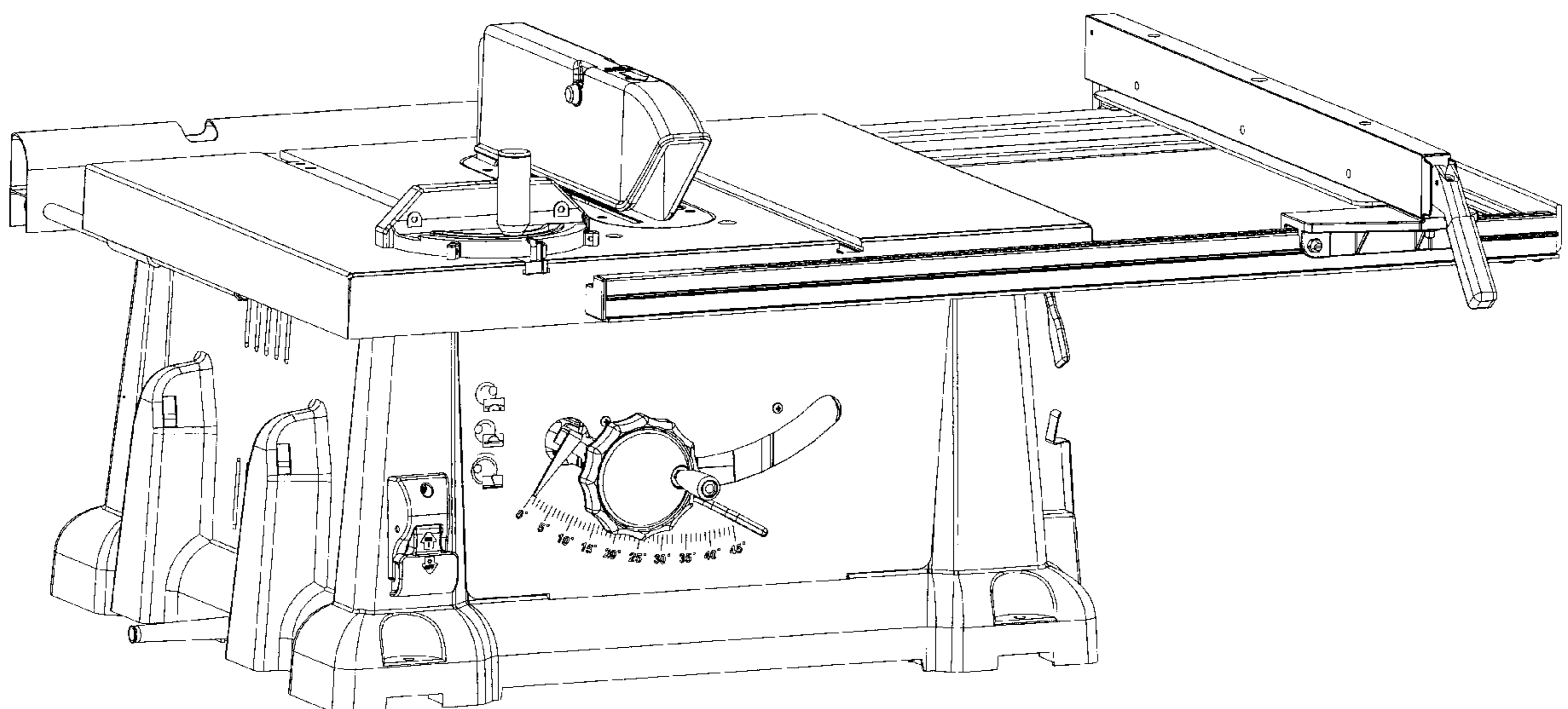


FIG. 1

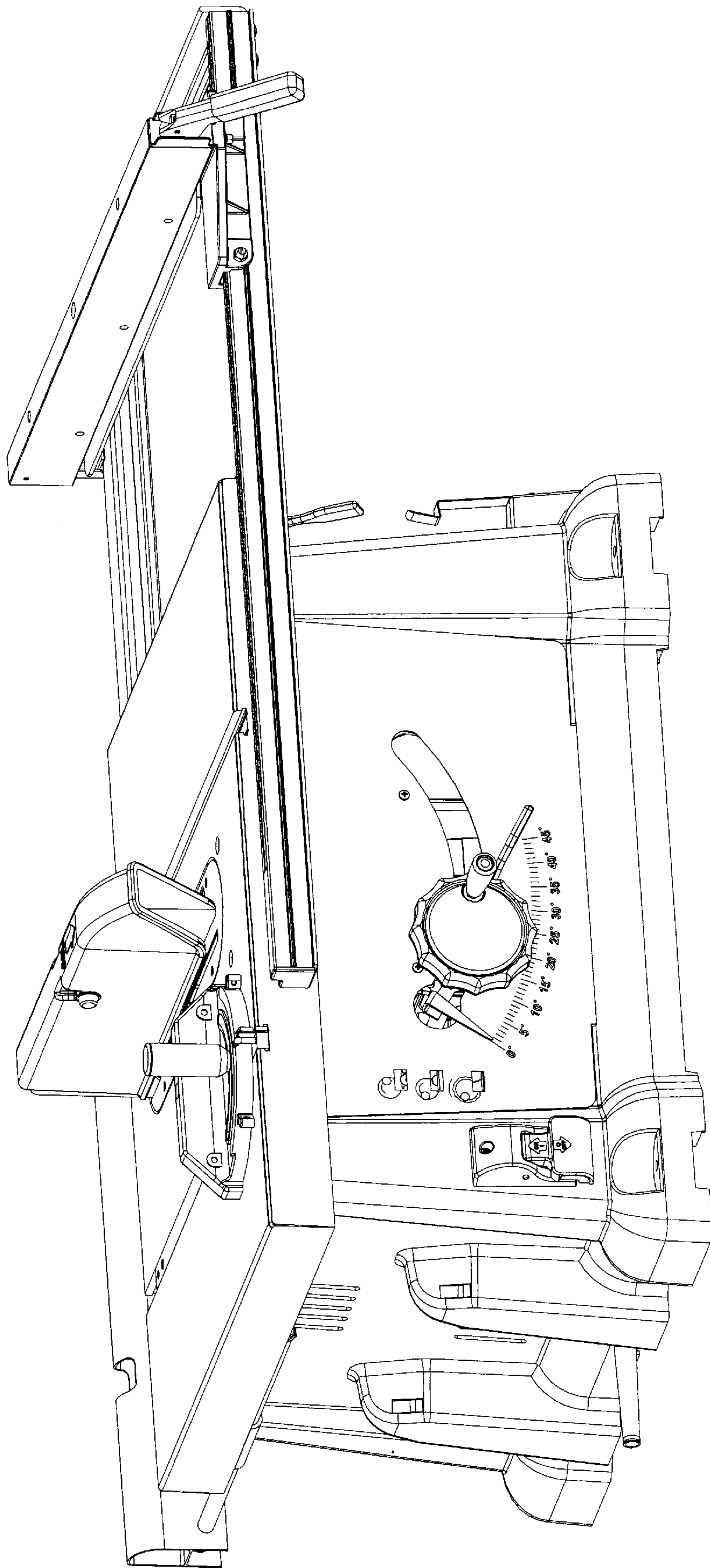
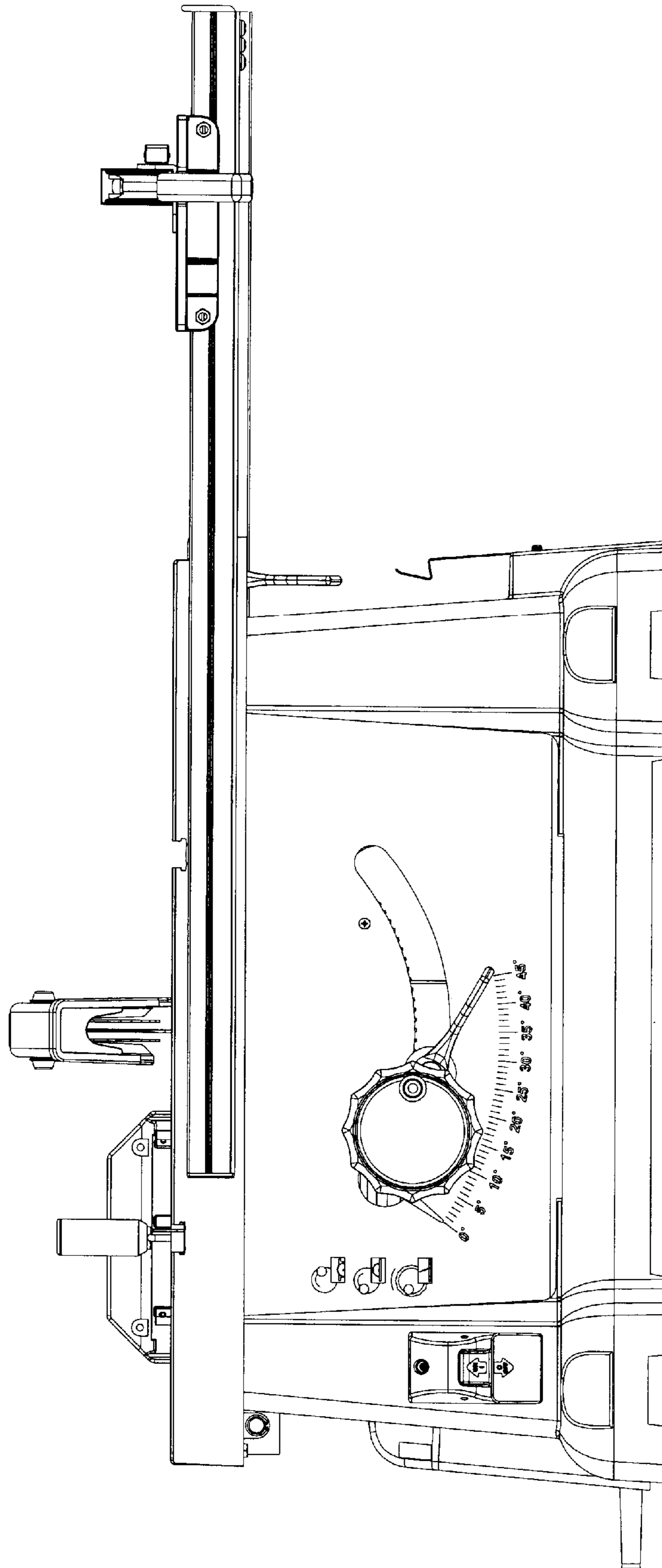


FIG. 2



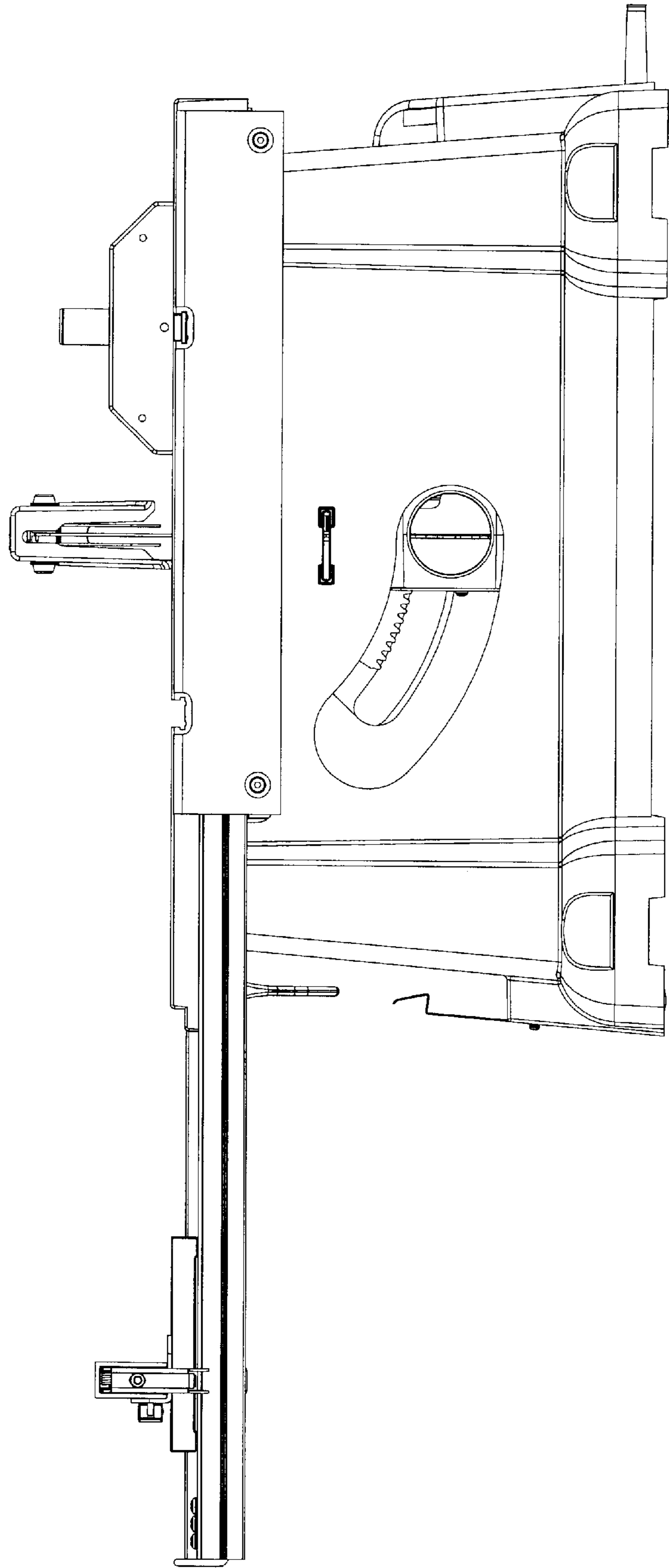


FIG. 3

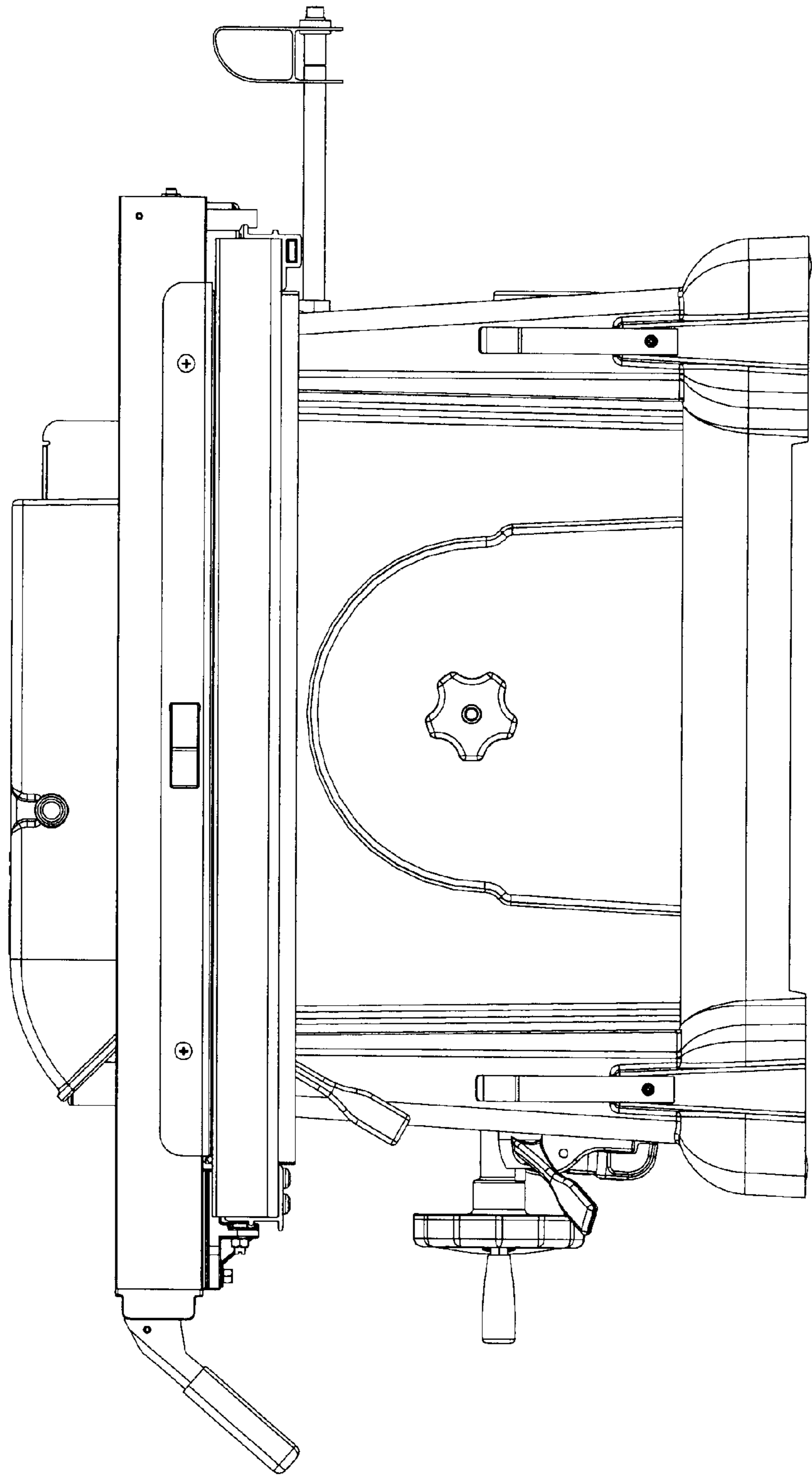


FIG. 4

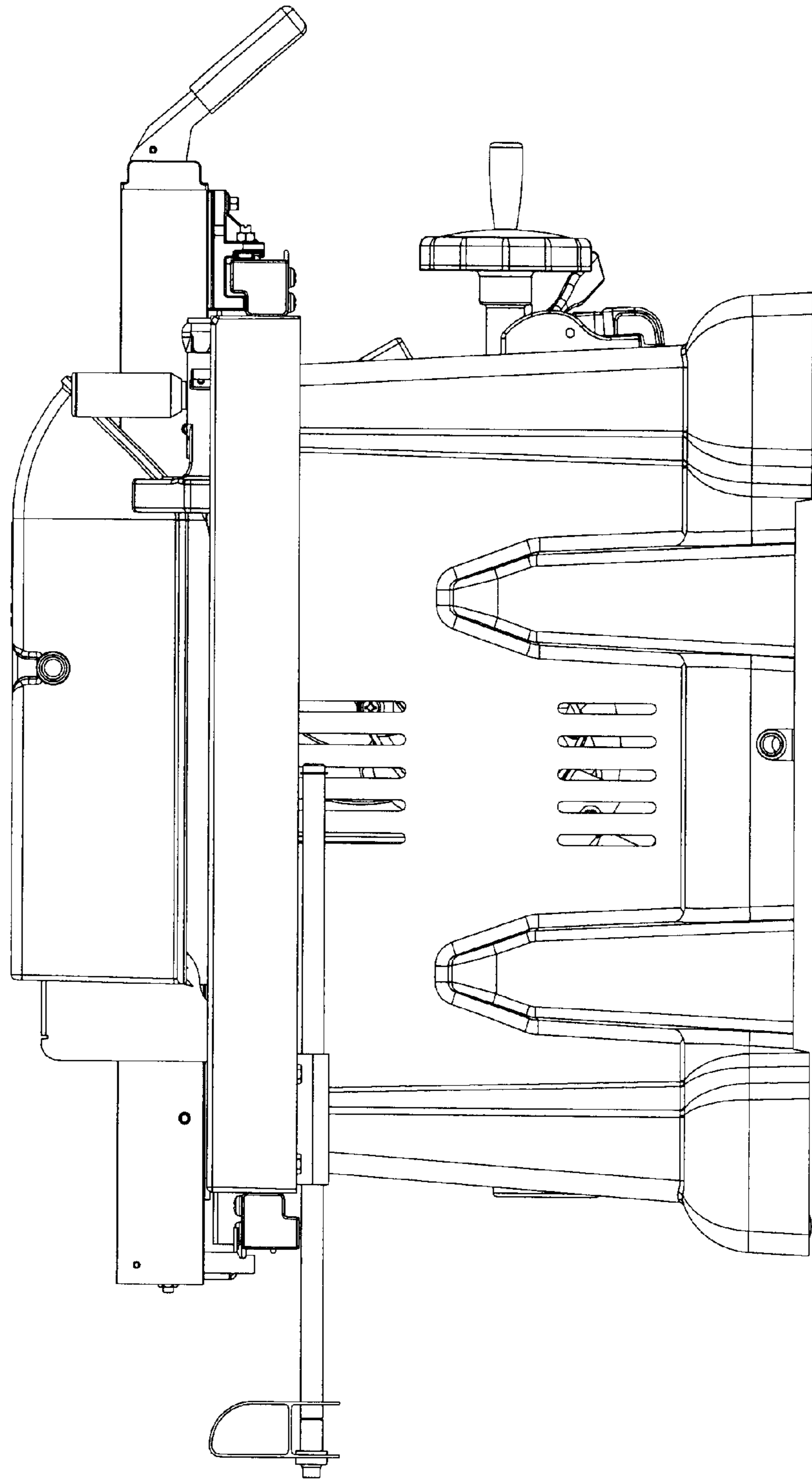


FIG. 5

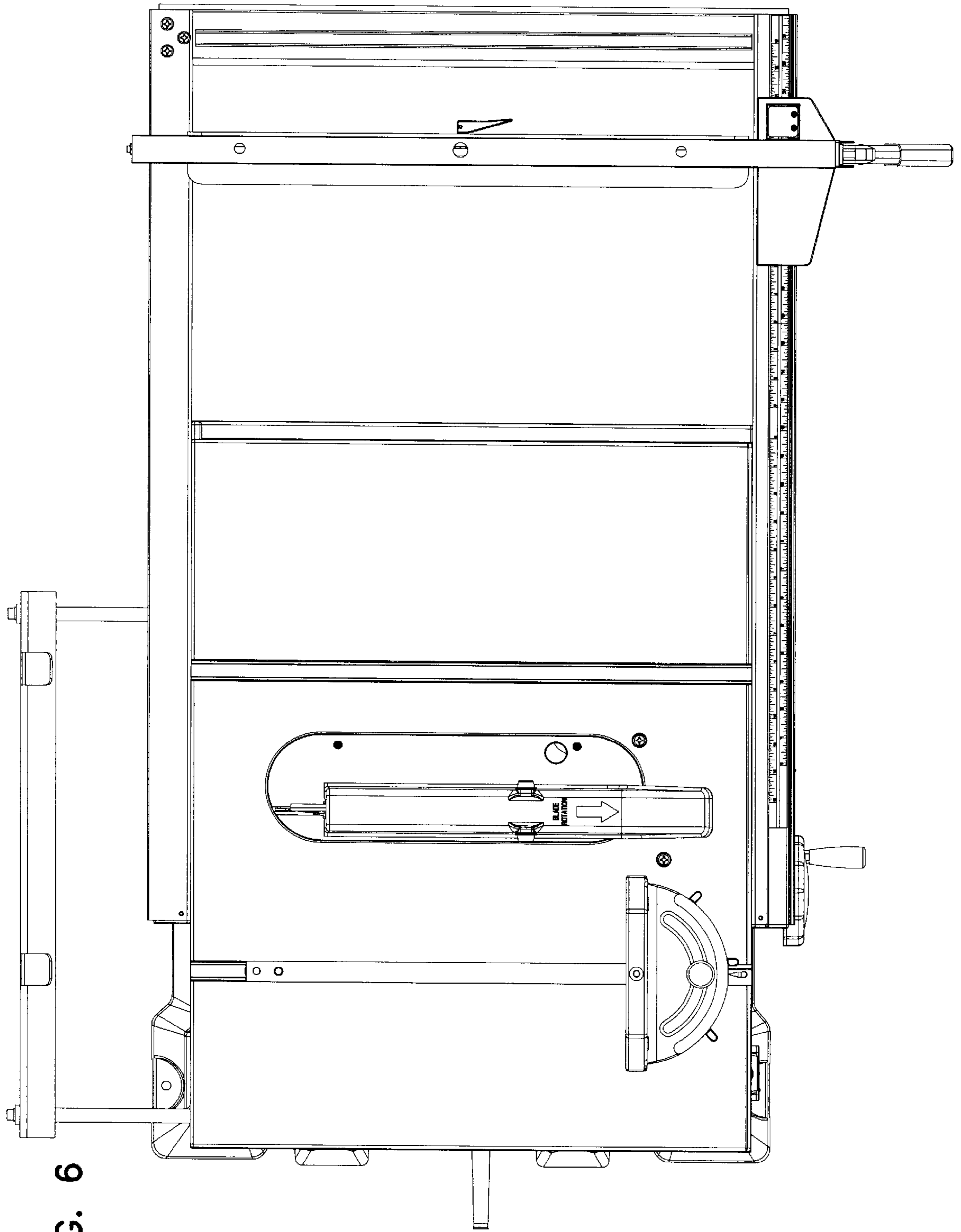


FIG. 6

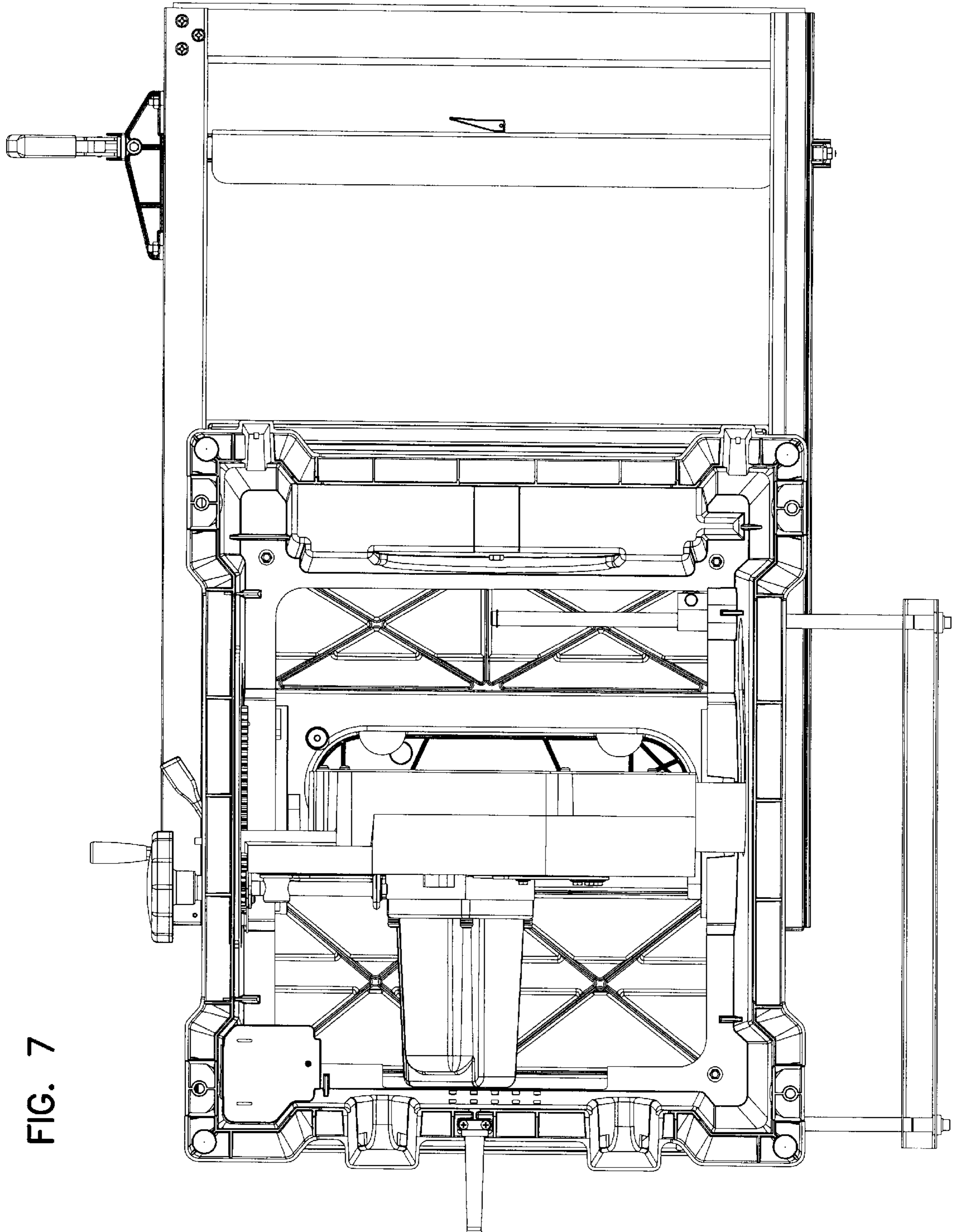


FIG. 7



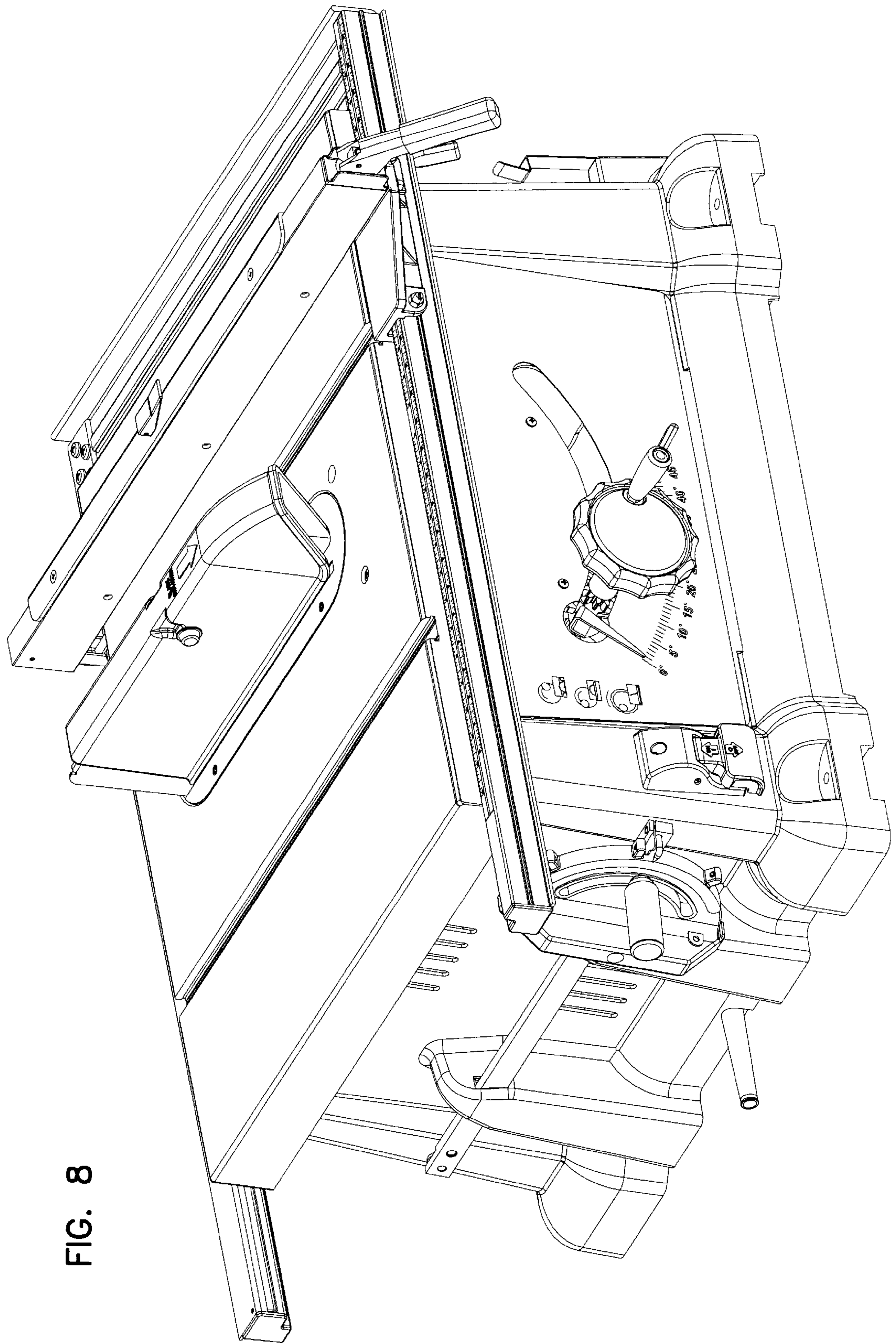


FIG. 8

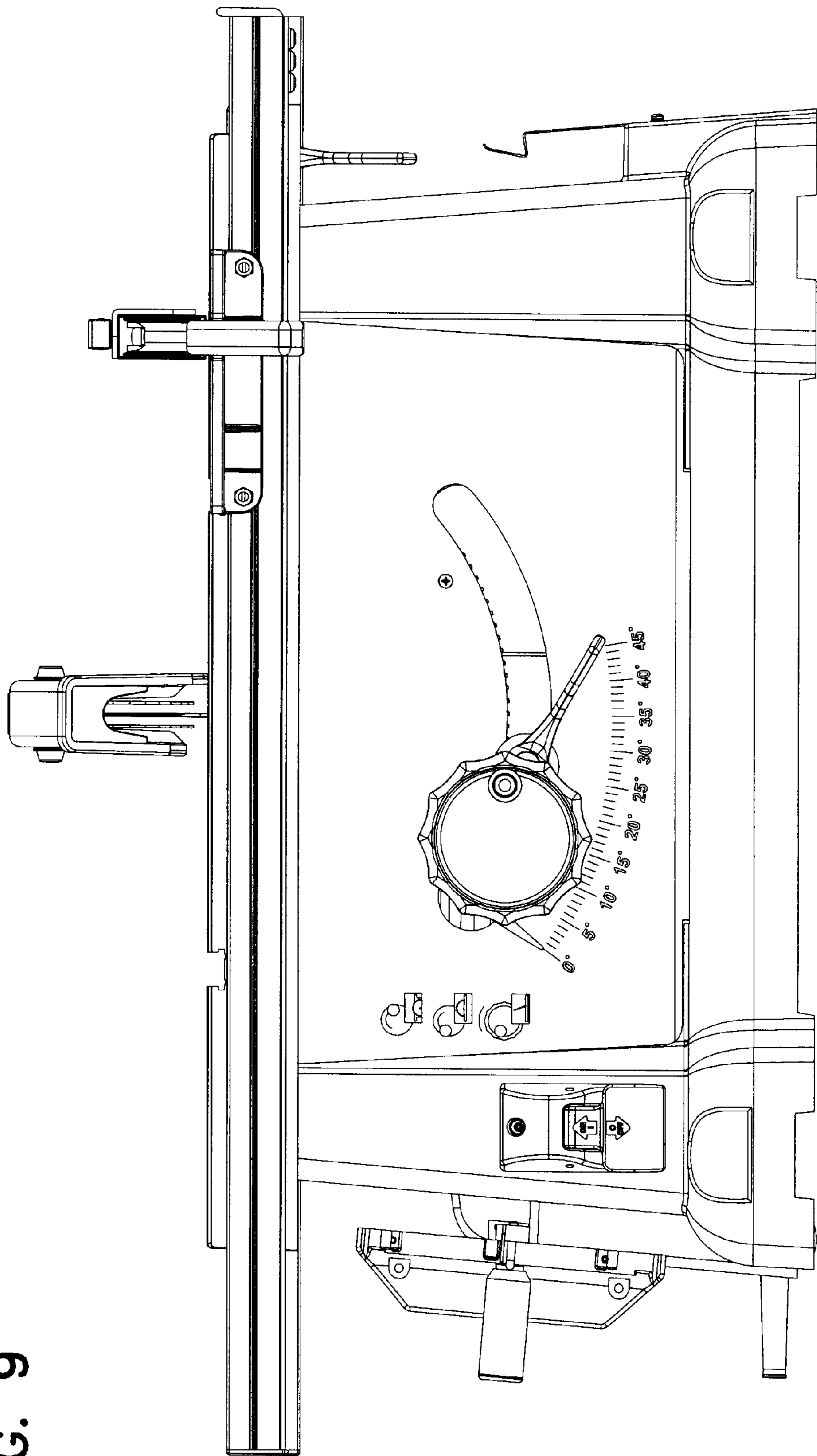
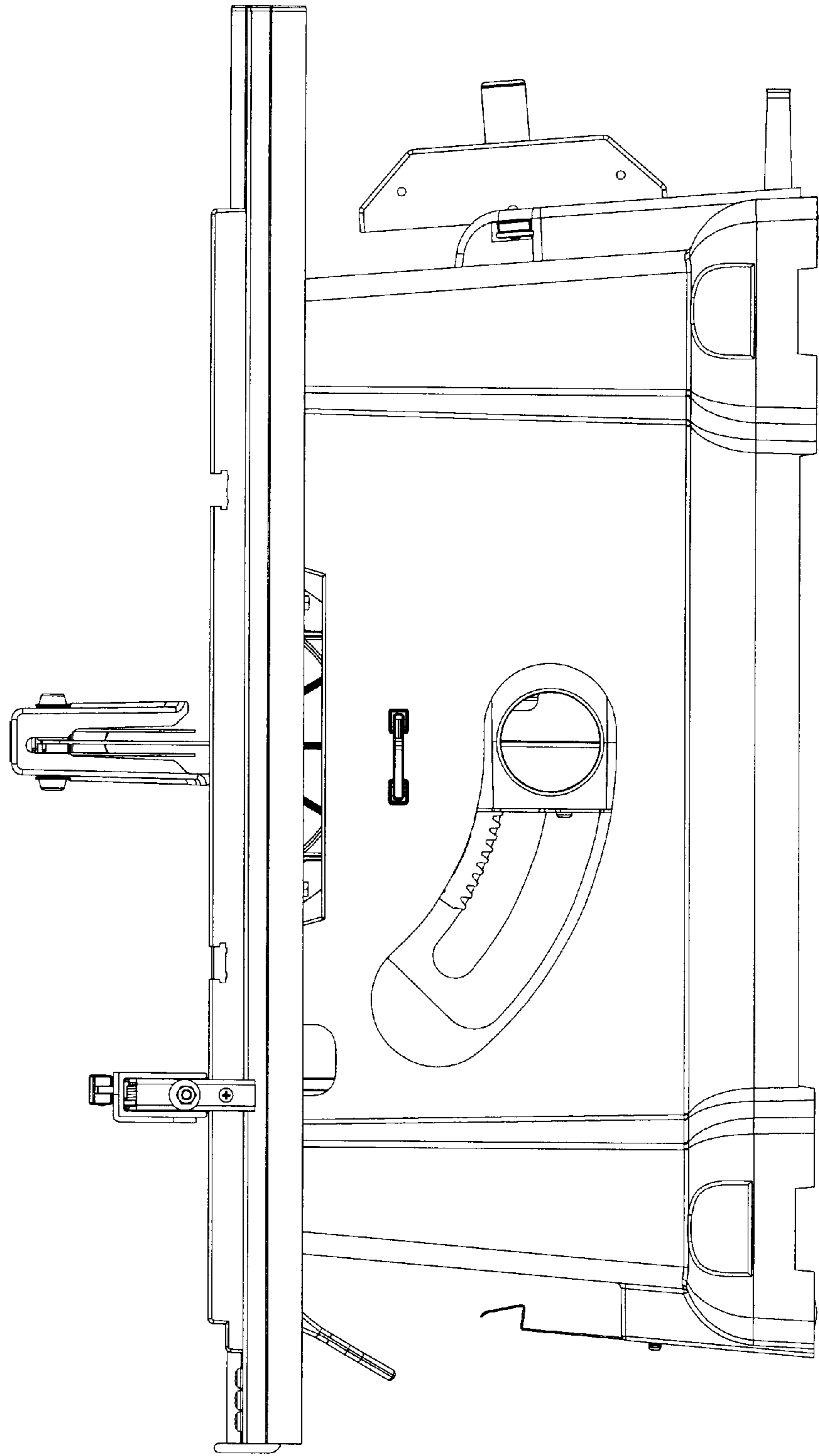


FIG. 9

FIG. 10



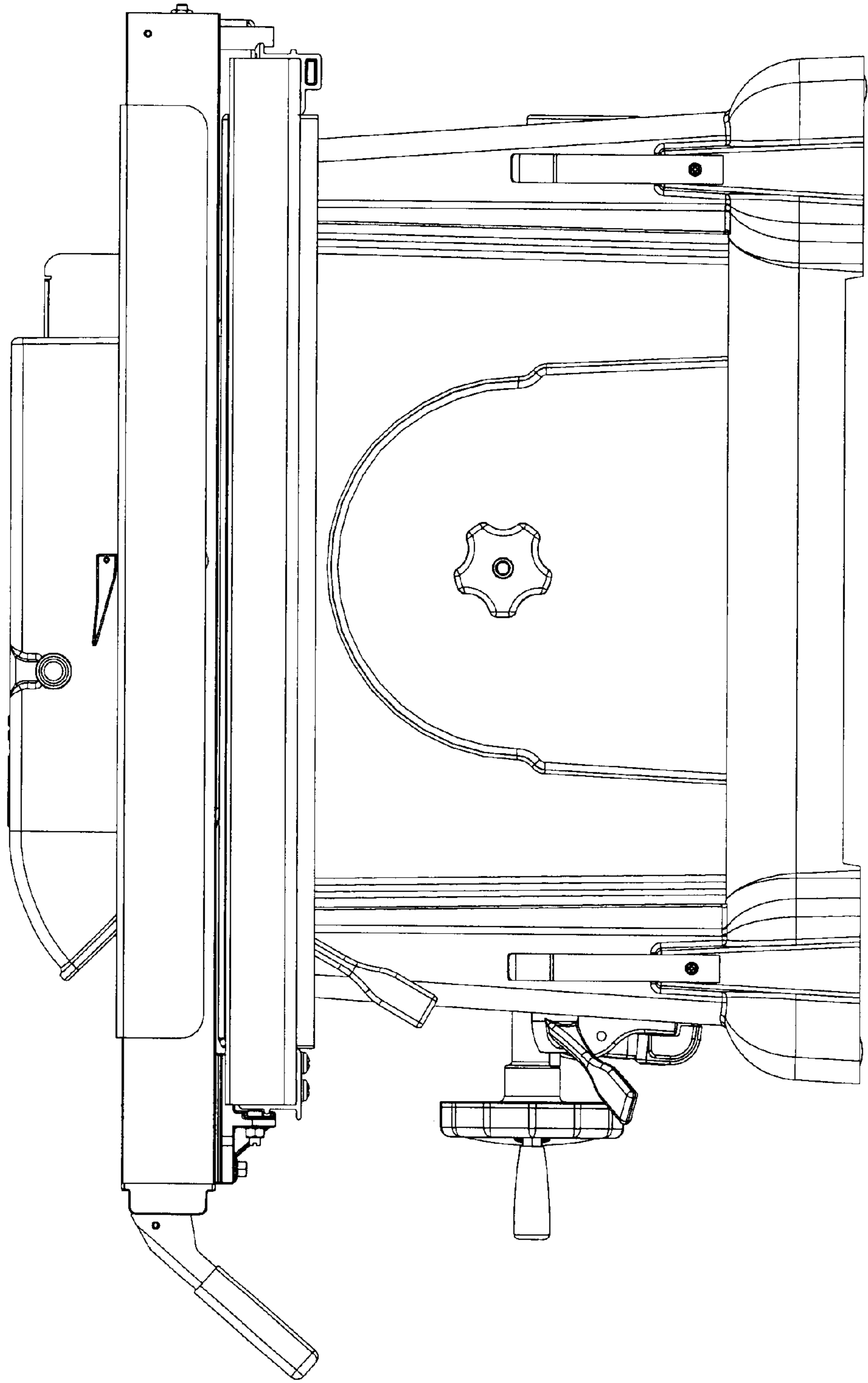


FIG. 11

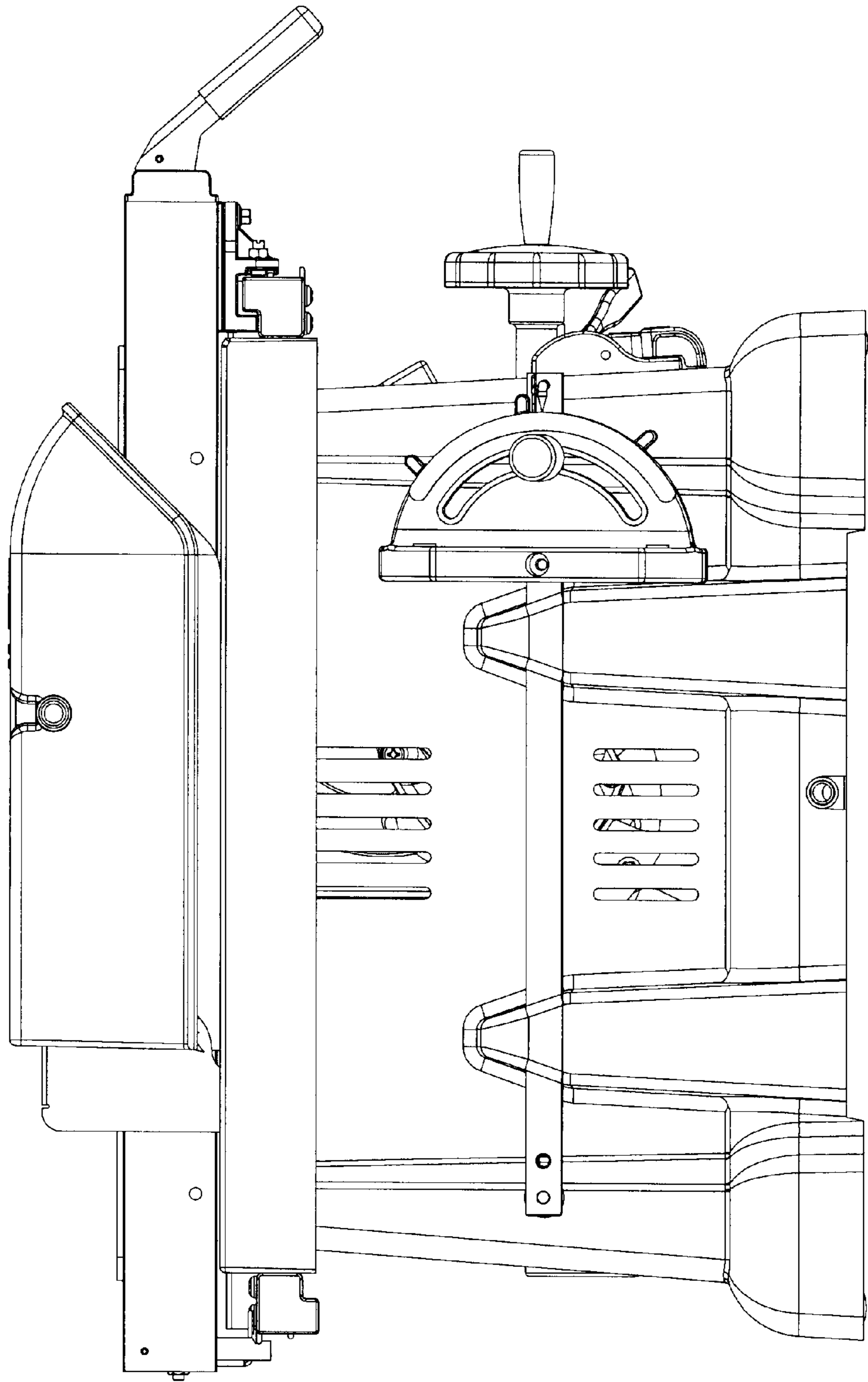


FIG. 12

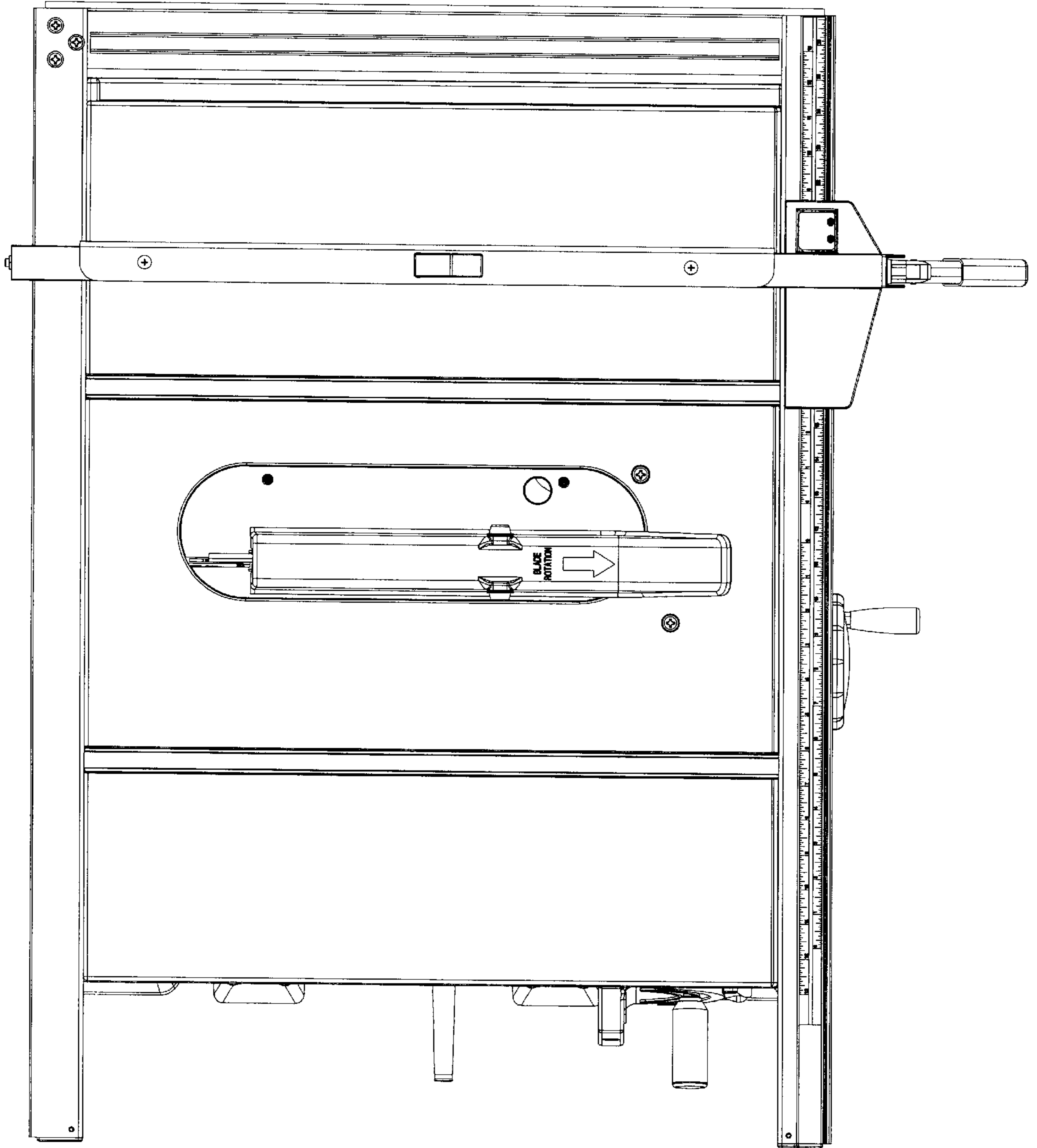


FIG. 13

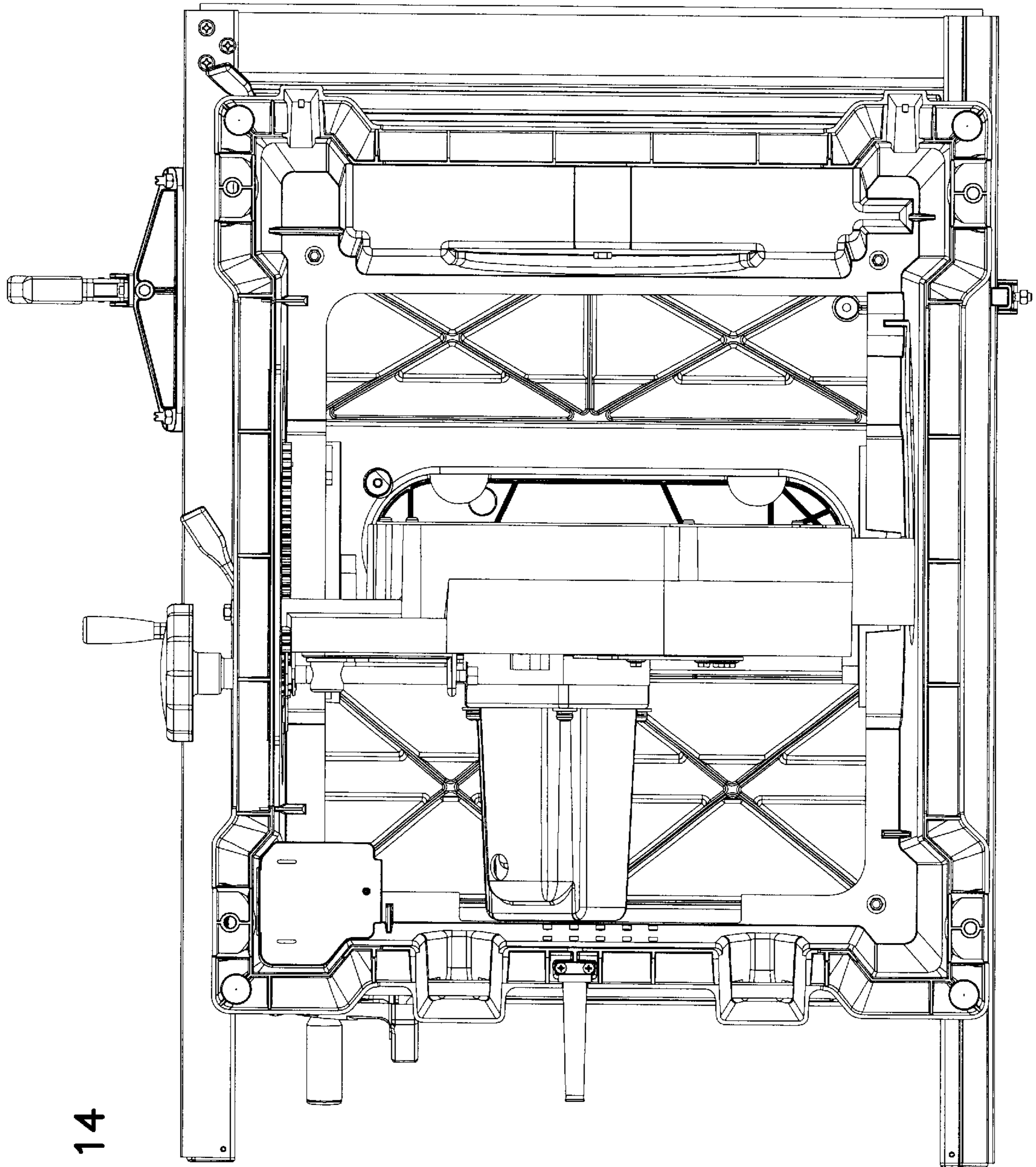


FIG. 14