



US00D461831S

(12) **United States Design Patent**
Laberheim et al.

(10) **Patent No.:** **US D461,831 S**

(45) **Date of Patent:** **** Aug. 20, 2002**

(54) **TELEHANDLER**

D410,930 S * 6/1999 Kim et al. D15/25

(75) Inventors: **Rene Laberheim**, Rolbing (FR);
William Edward Crookes, Ann Arbor,
MI (US)

OTHER PUBLICATIONS

Series 3000 Telehandlers; www.jdzx.r2.deere.com/product-
s.htm. Date Unknown, cited by applicant in paper No. 4.*

(73) Assignee: **Deere & Company**, Moline, IL (US)

* cited by examiner

(**) Term: **14 Years**

Primary Examiner—Mitchell Siegel

(21) Appl. No.: **29/138,152**

(57) **CLAIM**

(22) Filed: **Mar. 6, 2001**

The ornamental design for a telehandler, as shown and
described.

(30) **Foreign Application Priority Data**

DESCRIPTION

Sep. 7, 2000 (IE) 2000/419

FIG. 1 is a right side elevational view of a telehandler having
the ornamental features of the present invention.

(51) **LOC (7) Cl.** **12-09**

FIG. 2 is a left side elevational view of the telehandler
shown in FIG. 1.

(52) **U.S. Cl.** **D15/25**

(58) **Field of Search** D15/10, 23-26;
414/685, 718; 37/341, 442; 180/89.13,
89.19, 298, 297; 296/190, 202

FIG. 3 is a rear view of the telehandler shown in FIG. 1.

FIG. 4 is a front view of the telehandler shown in FIG. 1;
and,

(56) **References Cited**

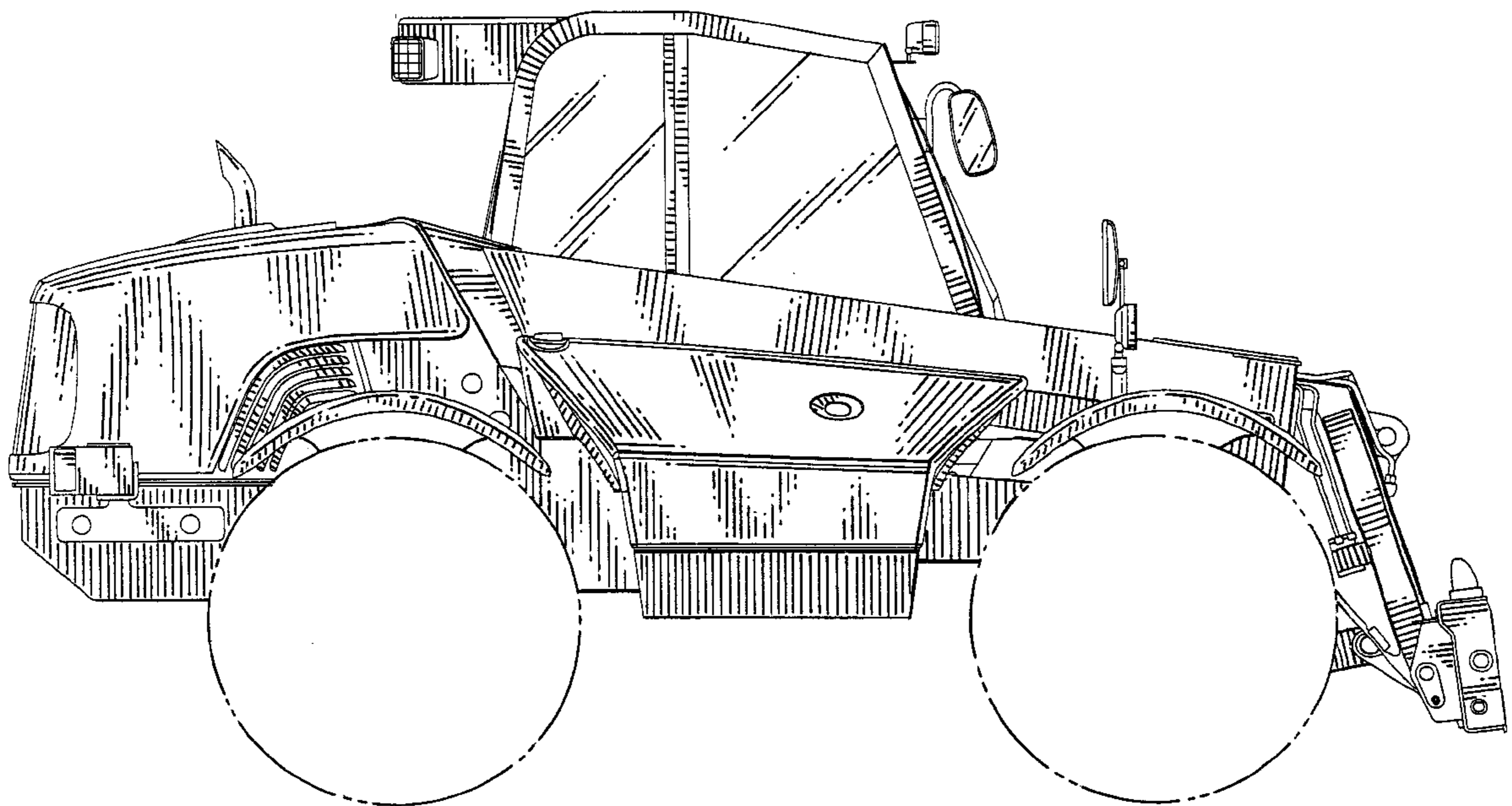
FIG. 5 is a top view of the telehandler shown in FIG. 1.

U.S. PATENT DOCUMENTS

The tires, wheels and axle assemblies are shown in broken
lines, where ever they appear in FIGS. 1-5 of the drawings,
are for illustrative purpose only and form no part of the
design.

- D326,858 S * 6/1992 Skeel et al. D15/25
- D364,408 S * 11/1995 Bryant et al. D15/25
- 5,687,809 A * 11/1997 Braud 414/685
- 5,836,733 A * 11/1998 Moses et al. 414/685

1 Claim, 5 Drawing Sheets



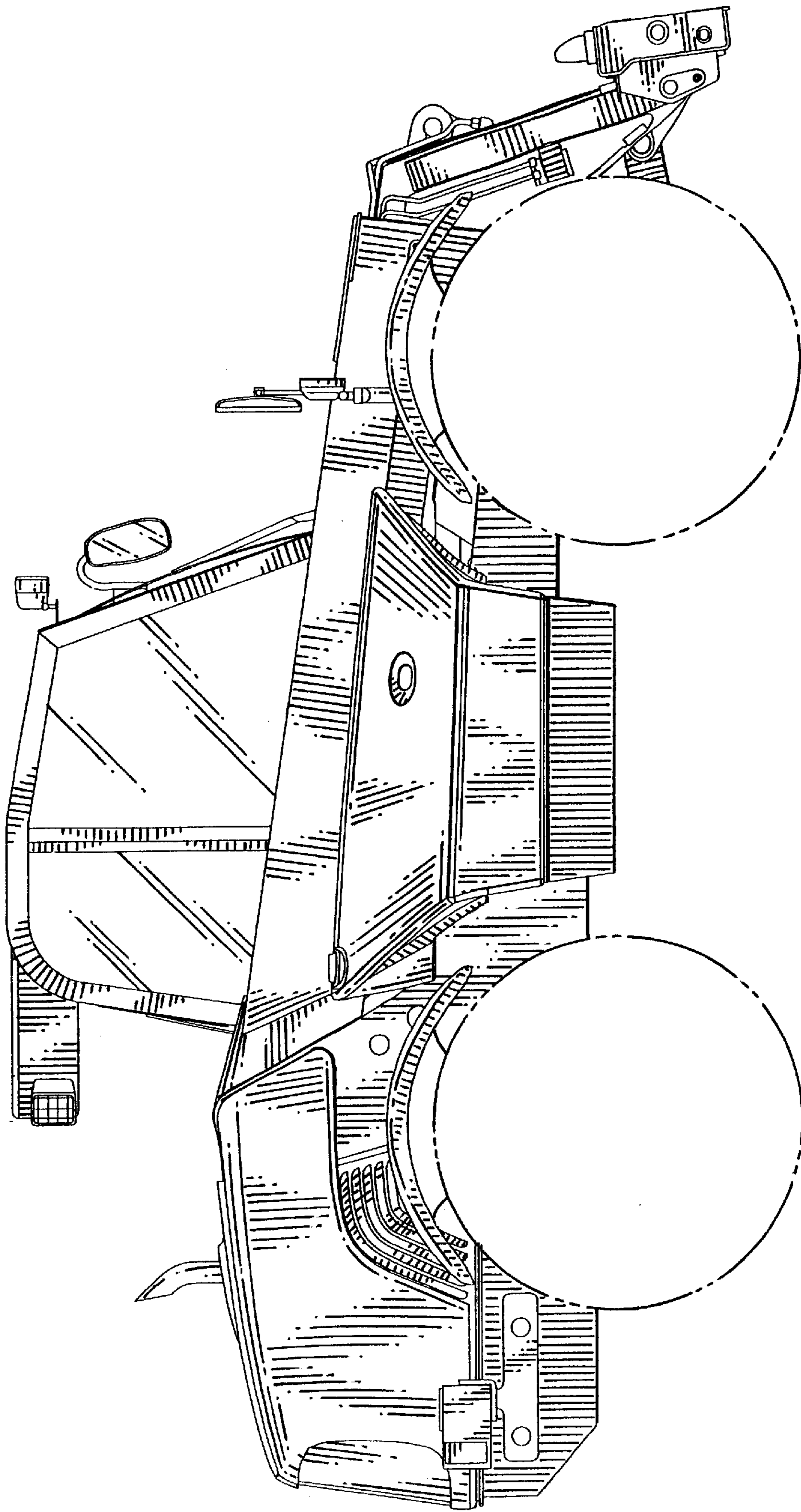


Fig. 1

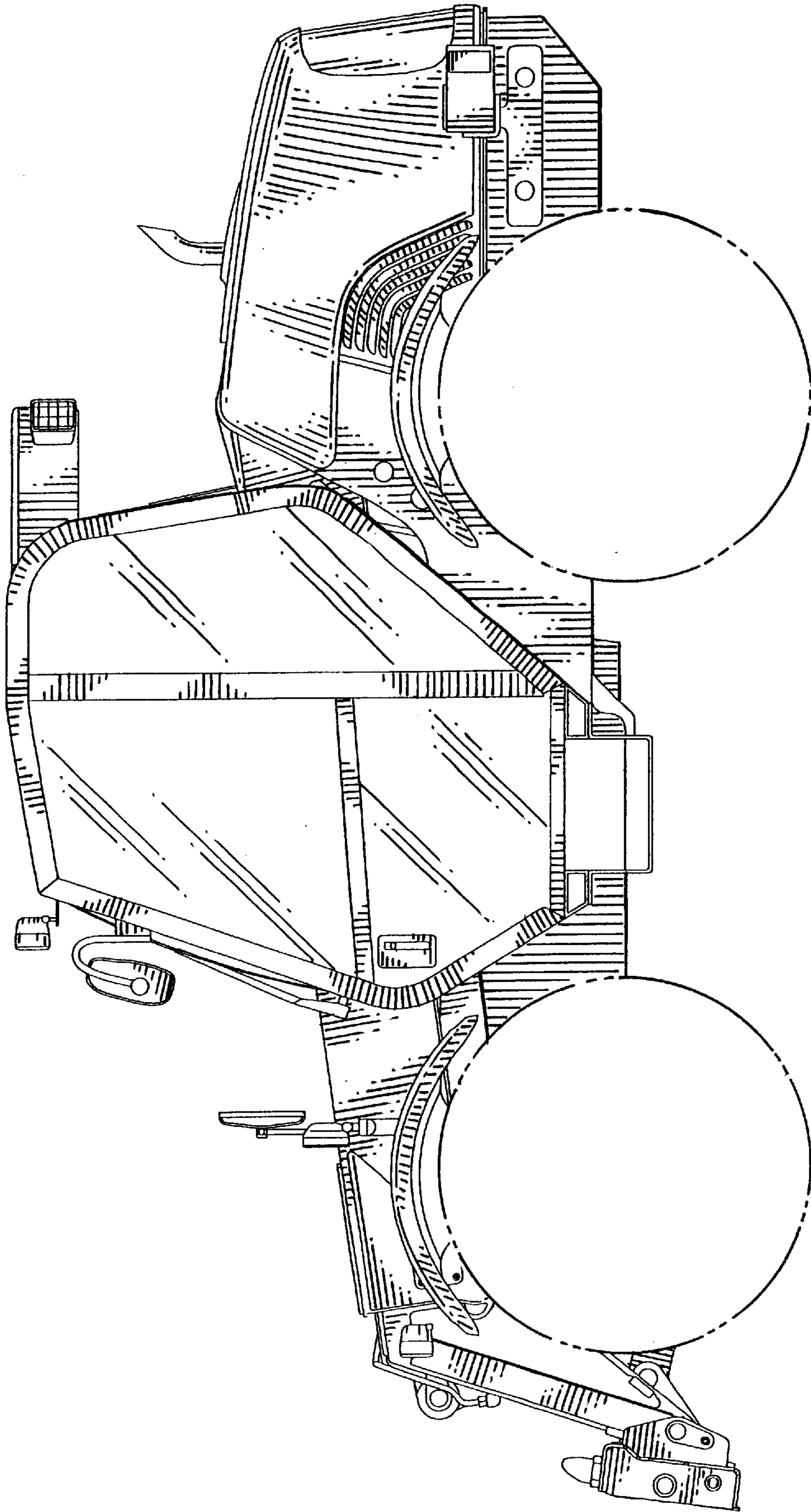


Fig. 2

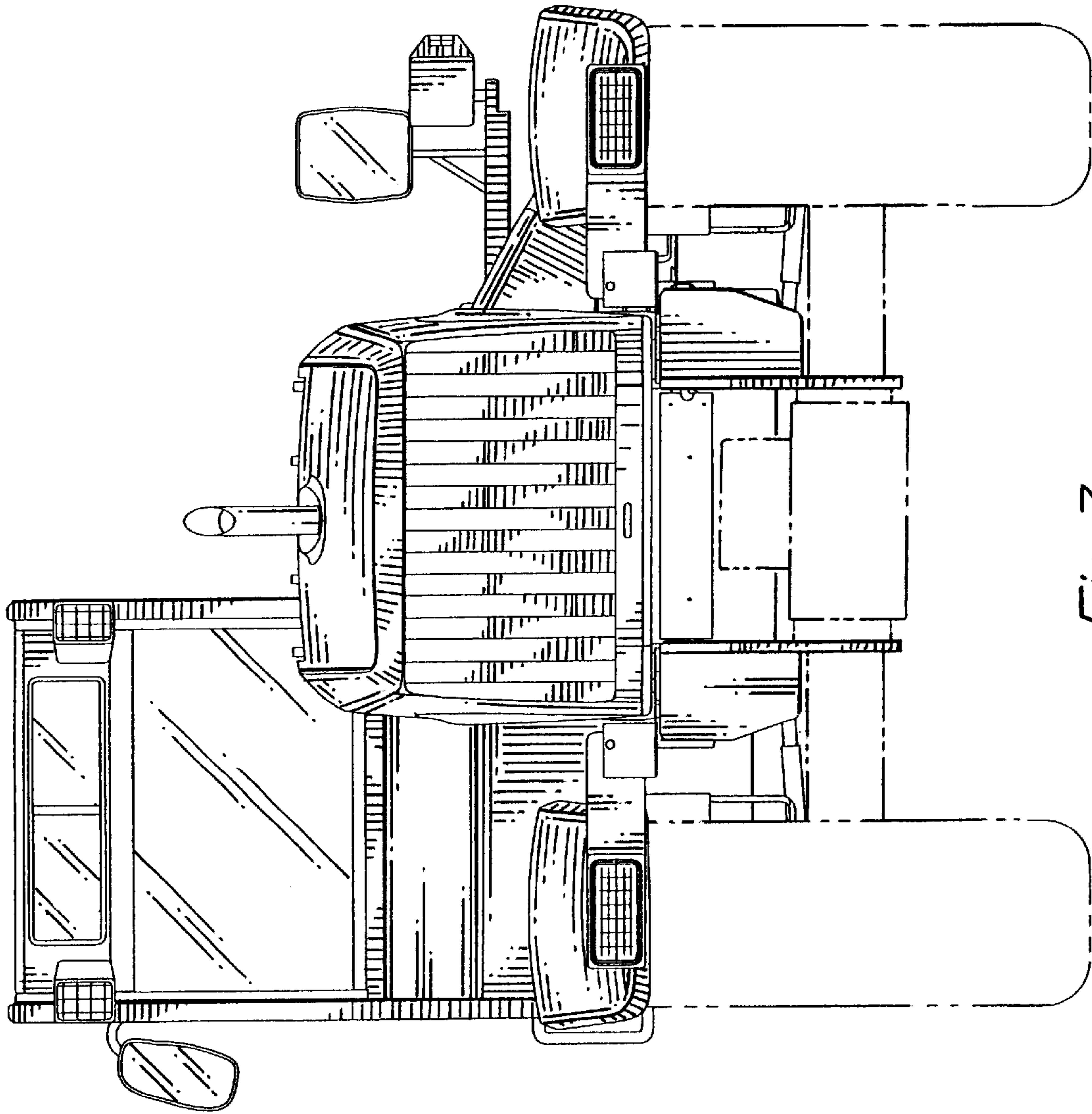


Fig. 3

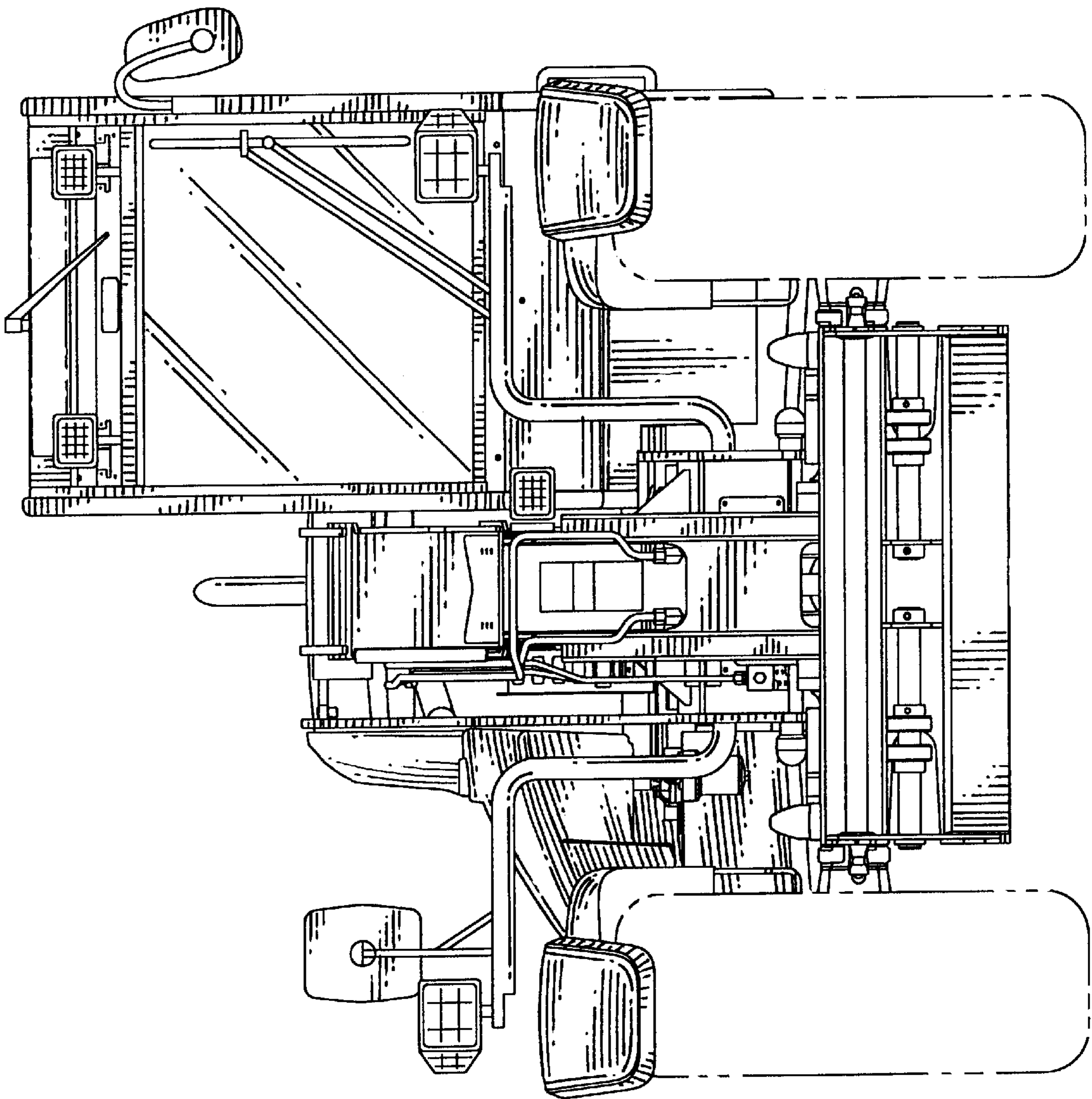


Fig. 4

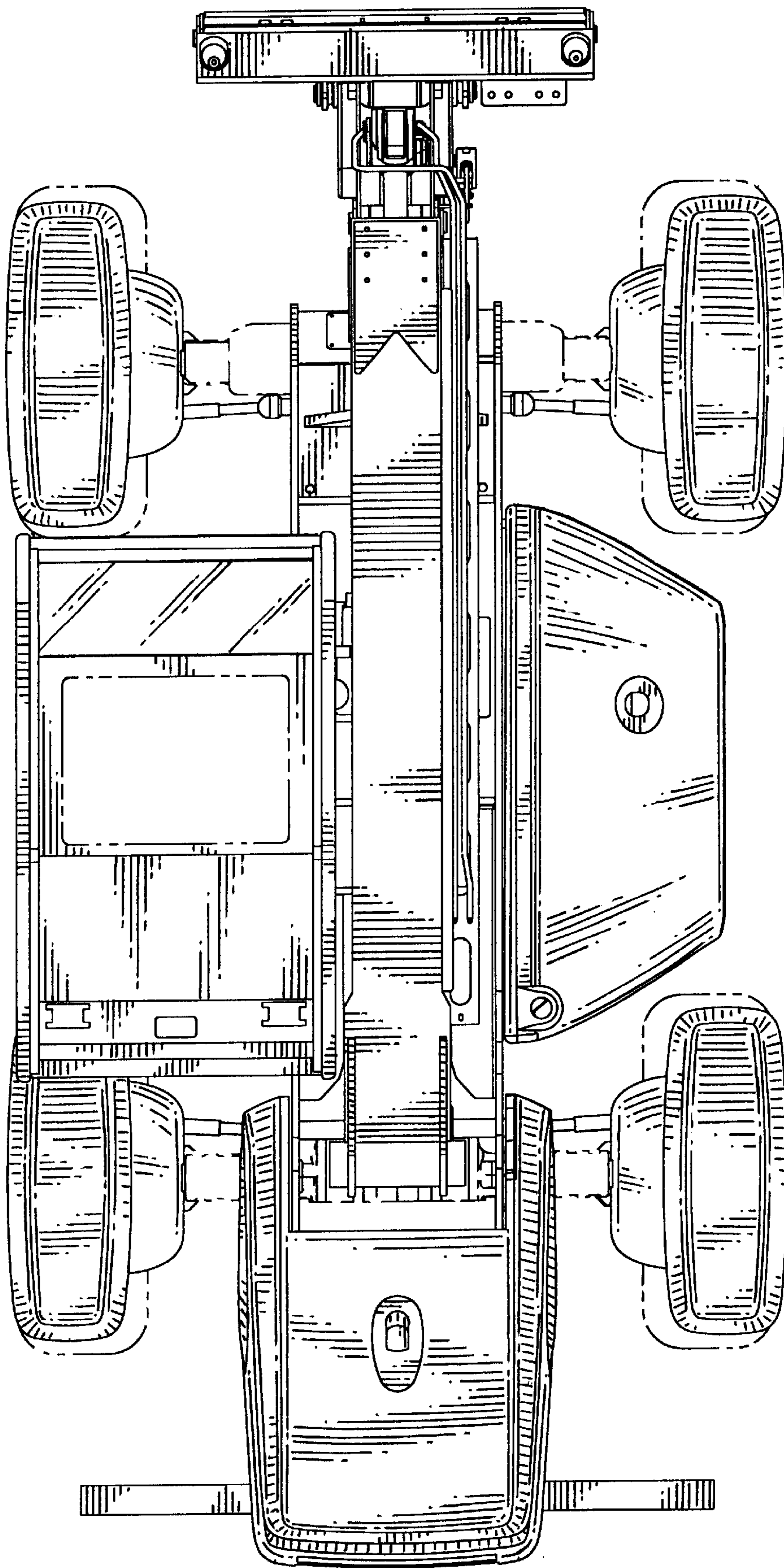


Fig. 5