



US00D461827S

(12) **United States Design Patent**
Koebbe

(10) **Patent No.:** **US D461,827 S**

(45) **Date of Patent:** **** Aug. 20, 2002**

(54) **ONE-PIECE PLASTIC PROTECTOR AND SEAL FOR A FLUID CYLINDER SHAFT**

(75) **Inventor:** **Richard R. Koebbe**, Cincinnati, OH (US)

(73) **Assignee:** **Eger Products, Inc.**, Amelia, OH (US)

(**) **Term:** **14 Years**

(21) **Appl. No.:** **29/141,039**

(22) **Filed:** **Apr. 30, 2001**

(51) **LOC (7) Cl.** **15-02**

(52) **U.S. Cl.** **D15/7**

(58) **Field of Search** D10/83; D15/5,
D15/7-9; 413/403, 404, 437, 460, 124;
D25/60-61, 119, 120; 92/5

(56) **References Cited**

U.S. PATENT DOCUMENTS

- 2,649,842 A * 8/1953 Caldwell et al. D15/7
- D303,393 S * 9/1989 Stoll D15/7
- D318,055 S * 7/1991 Tomlinson D15/5
- D331,584 S * 12/1992 Aizawa D15/7

- D332,101 S * 12/1992 Aizawa D15/7
- D355,199 S * 2/1995 Ousey D15/7
- D373,738 S * 9/1996 Nagai et al. D10/94
- D408,420 S * 4/1999 Buter D15/7
- D417,457 S * 12/1999 Asahara D15/7
- D439,533 S * 3/2001 Wakasugi et al. D10/85

* cited by examiner

Primary Examiner—Ralf Seifert

(74) *Attorney, Agent, or Firm*—Jacox, Meckstroth & Jenkins

(57) **CLAIM**

The ornamental design of a one-piece plastic protector and seal for a fluid cylinder shaft, as shown and described.

DESCRIPTION

FIG. 1 is a perspective view of one-piece plastic protector and seal for a fluid cylinder shaft showing my new design; FIG. 2 is one side view thereof; FIG. 3 is another side view thereof; FIG. 4 is a view of one end thereof; and, FIG. 5 is a view of the opposite end thereof.

1 Claim, 1 Drawing Sheet

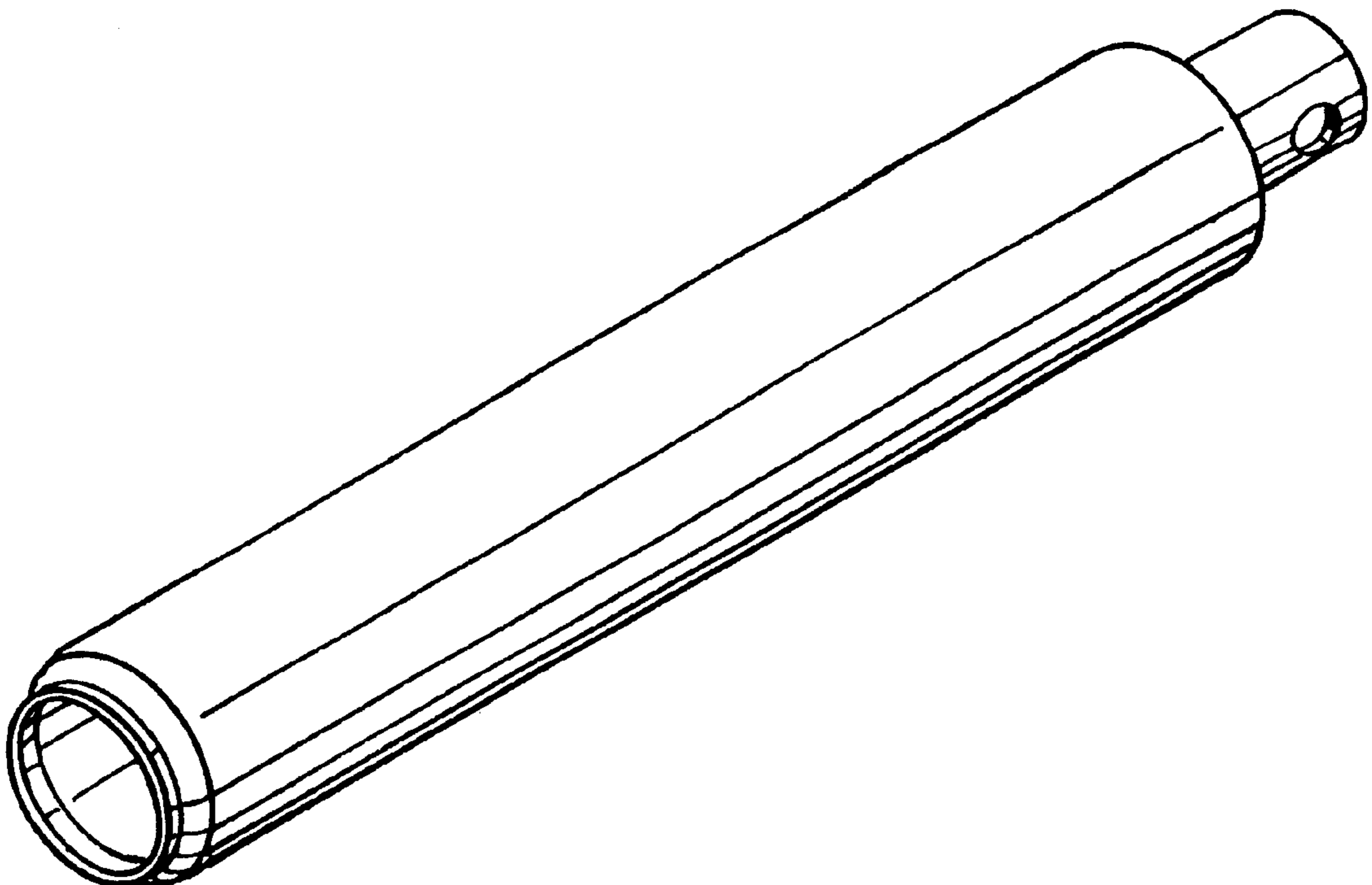


FIG-1

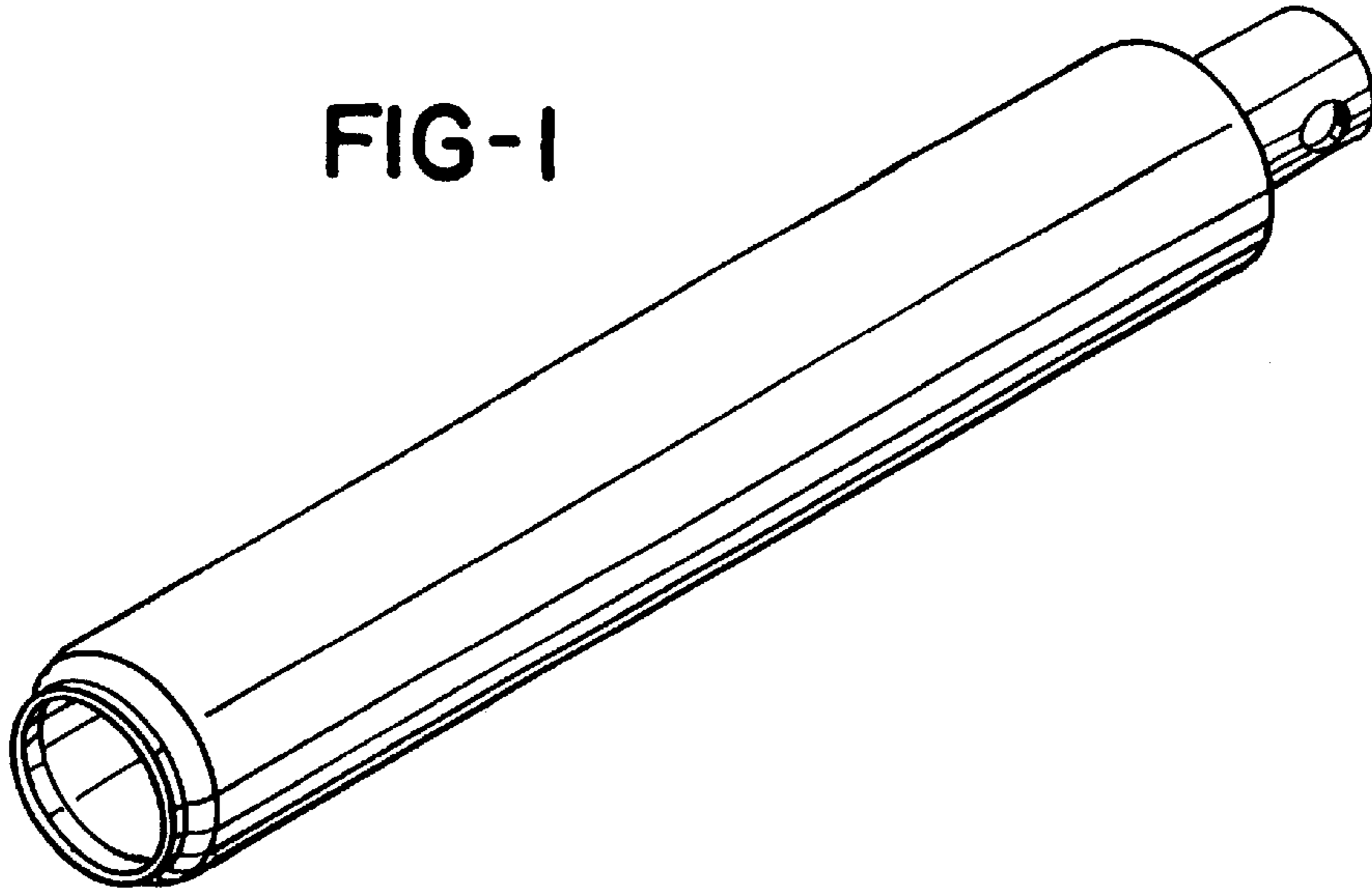


FIG-2

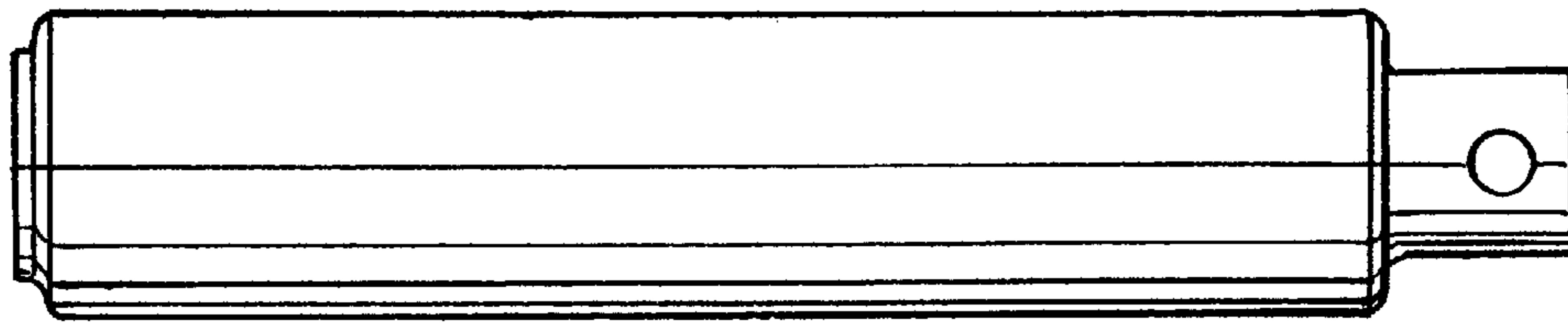


FIG-3

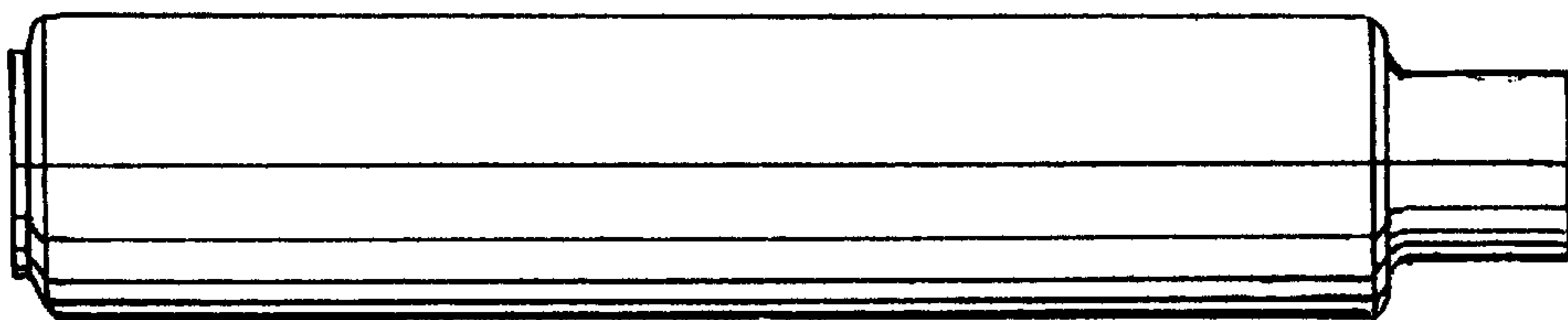


FIG-4

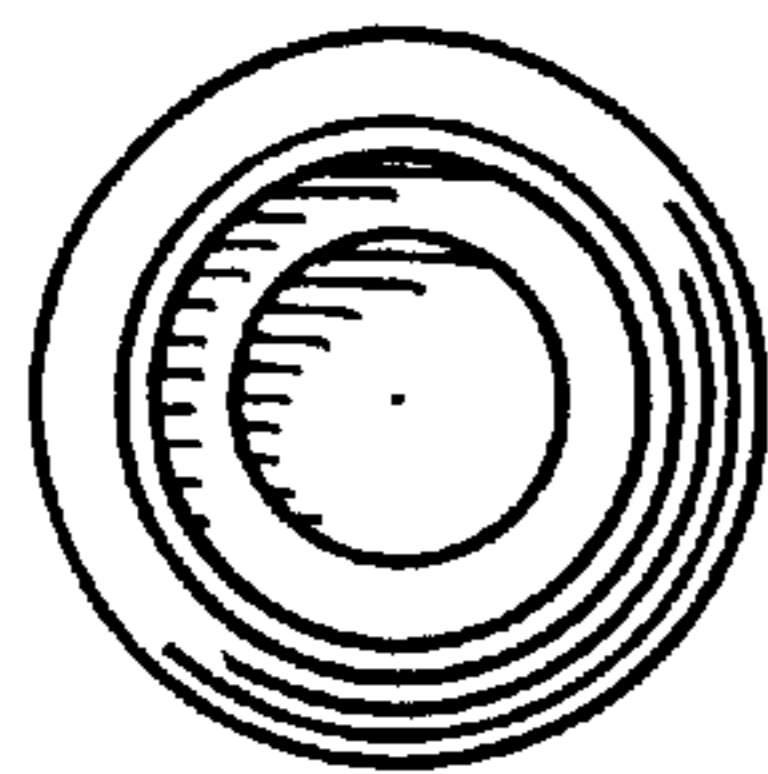


FIG-5

