



US00D461823S

(12) **United States Design Patent**  
**Burmeister et al.**

(10) **Patent No.: US D461,823 S**

(45) **Date of Patent: \*\* \*Aug. 20, 2002**

(54) **OUTBOARD COWLING**

(75) Inventors: **Scott N. Burmeister**, Libertyville;  
**Robert B. Gowens**, Lake Bluff, both of  
IL (US); **Peter J. Van Lancker**;  
**Christopher F. Deutschmann**, both of  
Palm City, FL (US); **Harold L. Wikel,**  
**III**, Muskego, WI (US)

(73) Assignee: **Bombardier Motor Corporation of**  
**America**, Grant, FL (US)

(\*) Notice: This patent is subject to a terminal dis-  
claimer.

(\*\*) Term: **14 Years**

(21) Appl. No.: **29/122,877**

(22) Filed: **May 4, 2000**

**Related U.S. Application Data**

(63) Continuation-in-part of application No. 29/122,836, filed on  
May 4, 2000, now Pat. No. Des. 458,273.

(51) **LOC (7) Cl.** ..... **15-01**

(52) **U.S. Cl.** ..... **D15/4**

(58) **Field of Search** ..... D15/1-5; 440/52,  
440/55, 84, 88, 900, 3, 4, 6; 123/495, 195 P,  
195 W; 290/43, 46, 54; 248/642

(56) **References Cited**

**U.S. PATENT DOCUMENTS**

- D257,353 S 10/1980 Fogolin
- D272,357 S 1/1984 Hall et al.
- D272,358 S 1/1984 Hall et al.
- D274,909 S 7/1984 Ferguson et al.
- D275,394 S 9/1984 Ferguson et al.
- D275,487 S 9/1984 Ferguson et al.

- D286,157 S 10/1986 Mikado et al.
- D289,169 S 4/1987 Mikado et al.
- D289,170 S 4/1987 Mikado et al.
- D318,474 S 7/1991 Reynolds
- D323,508 S 1/1992 Hirshberg et al.
- D332,265 S 1/1993 Osumi
- D358,076 S 5/1995 Woller et al.
- D359,290 S 6/1995 Takeuchi
- D387,775 S 12/1997 Iekura
- 5,830,021 A \* 11/1998 Takahashi et al. .... 440/88
- D403,684 S 1/1999 Oishi
- D409,205 S 5/1999 Ohsumi et al.
- D412,911 S 8/1999 Iekura
- D418,519 S 1/2000 Iekura
- D421,444 S 3/2000 Hatch et al.
- D422,599 S 4/2000 Iekura
- D428,616 S \* 7/2000 Iekura ..... D15/4

\* cited by examiner

*Primary Examiner*—Melody N. Brown

(74) *Attorney, Agent, or Firm*—Pillsbury Winthrop LLP

(57) **CLAIM**

We claim the ornamental design for an outboard cowling, as  
shown and described.

**DESCRIPTION**

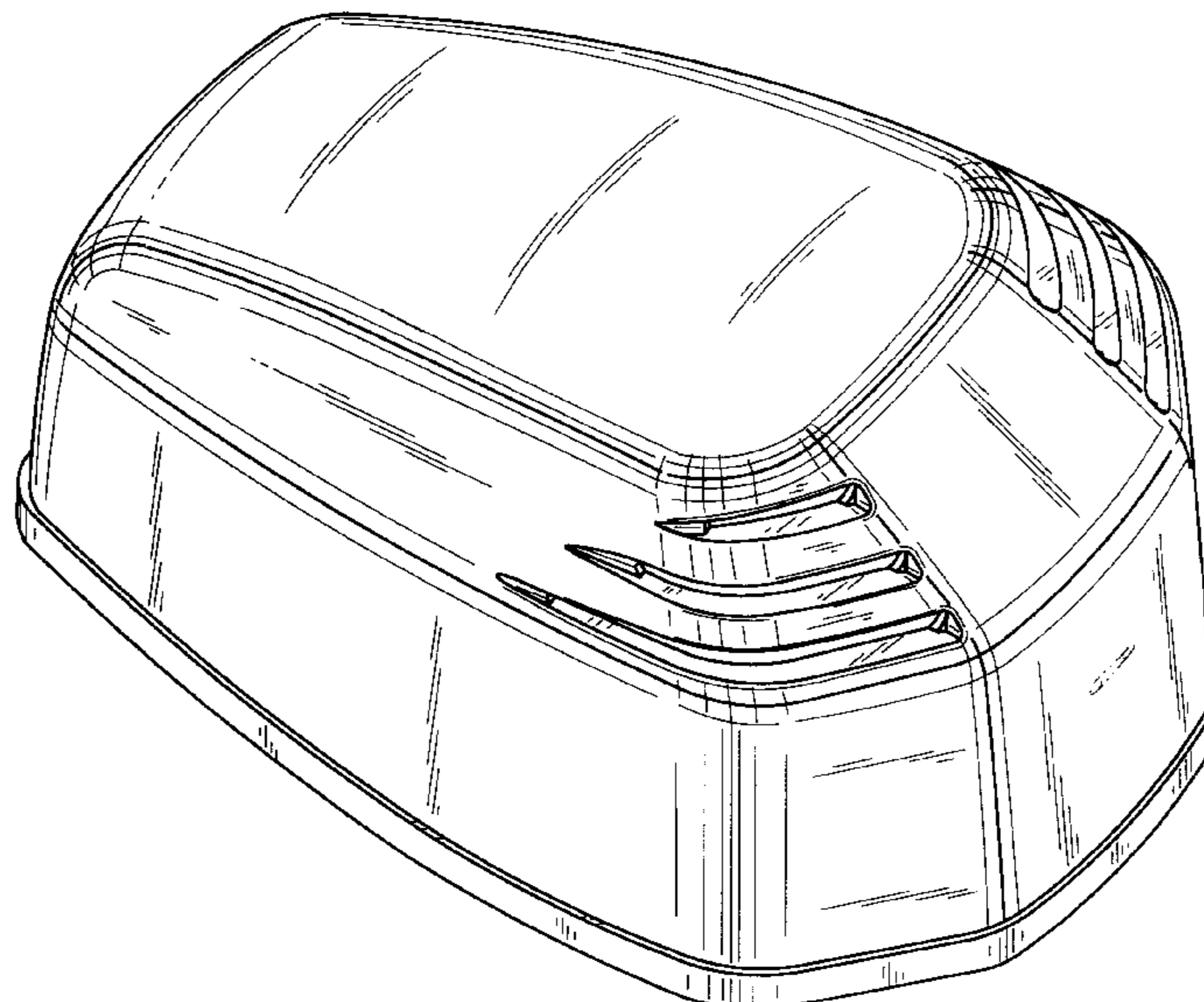
FIG. 1 is a perspective view of an outboard cowling in  
accordance with the present invention.

FIG. 2 is a right side view of the outboard cowling shown  
in FIG. 1, the left side view being a mirror image thereof.  
FIG. 3 is a rear view of the outboard cowling shown in FIG.  
1.

FIG. 4 is a front view of the outboard cowling shown in FIG.  
1; and,

FIG. 5 is a top view of the outboard cowling shown in FIG.  
1.

**1 Claim, 3 Drawing Sheets**



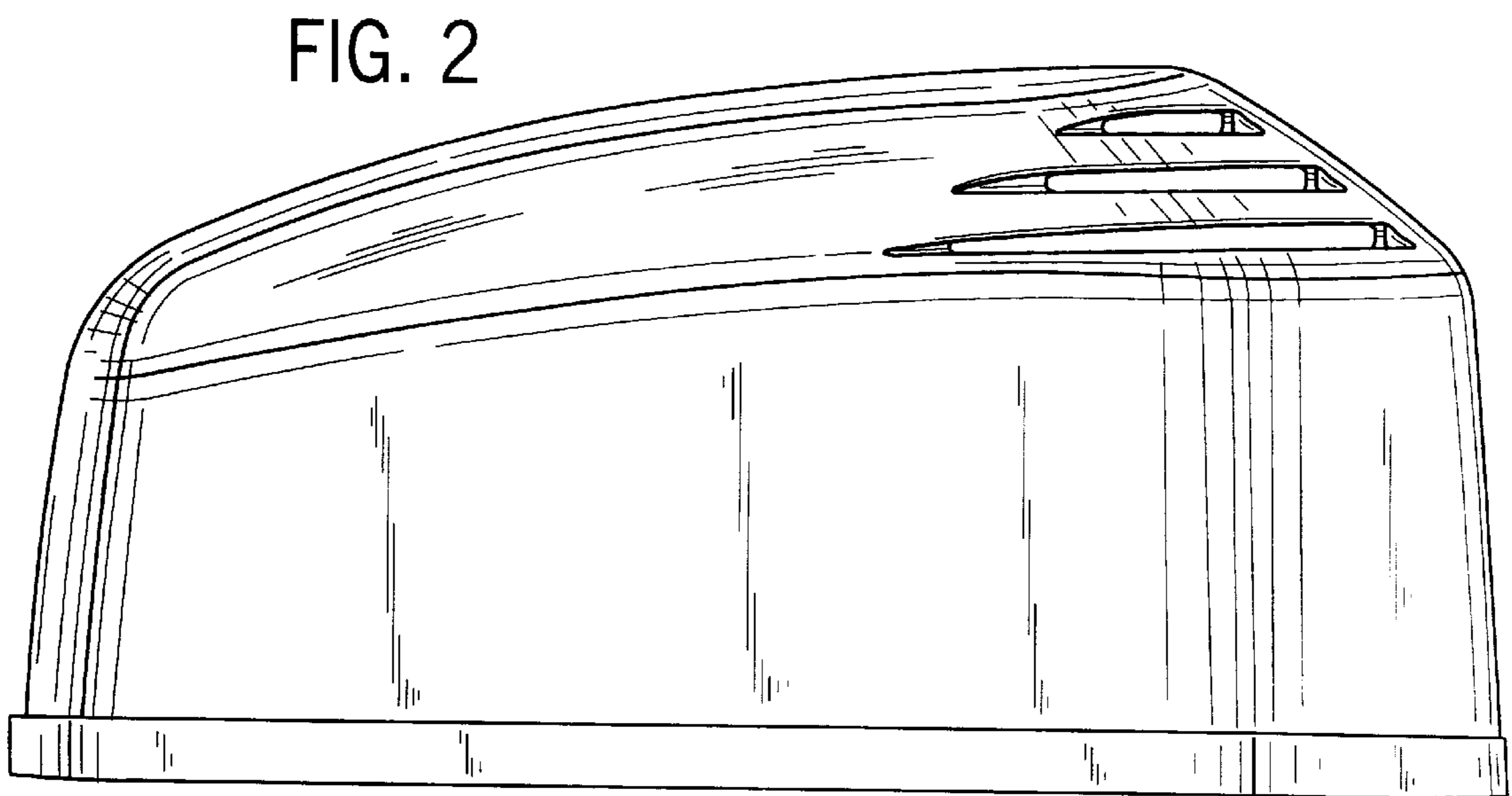
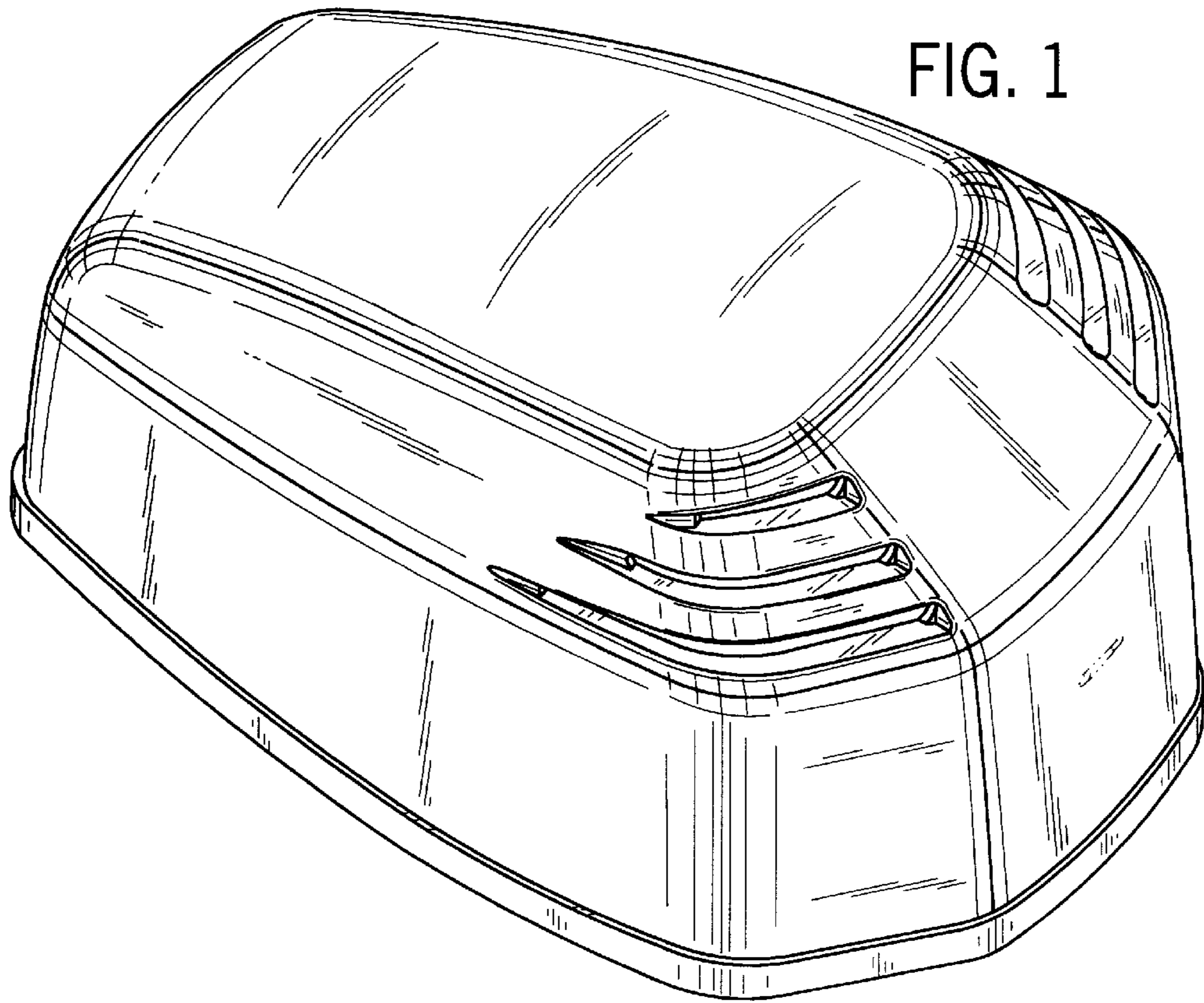


FIG. 3

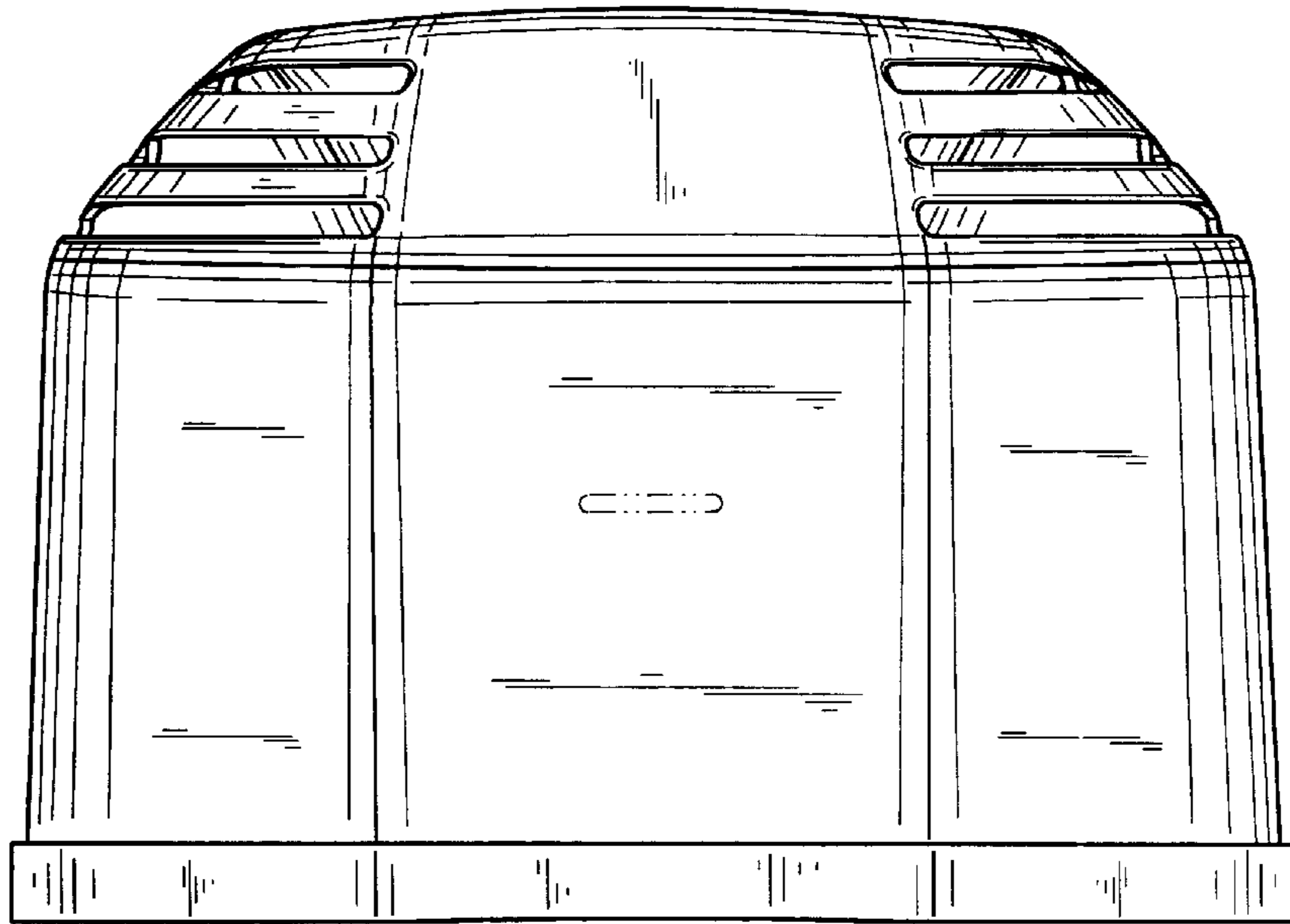


FIG. 4

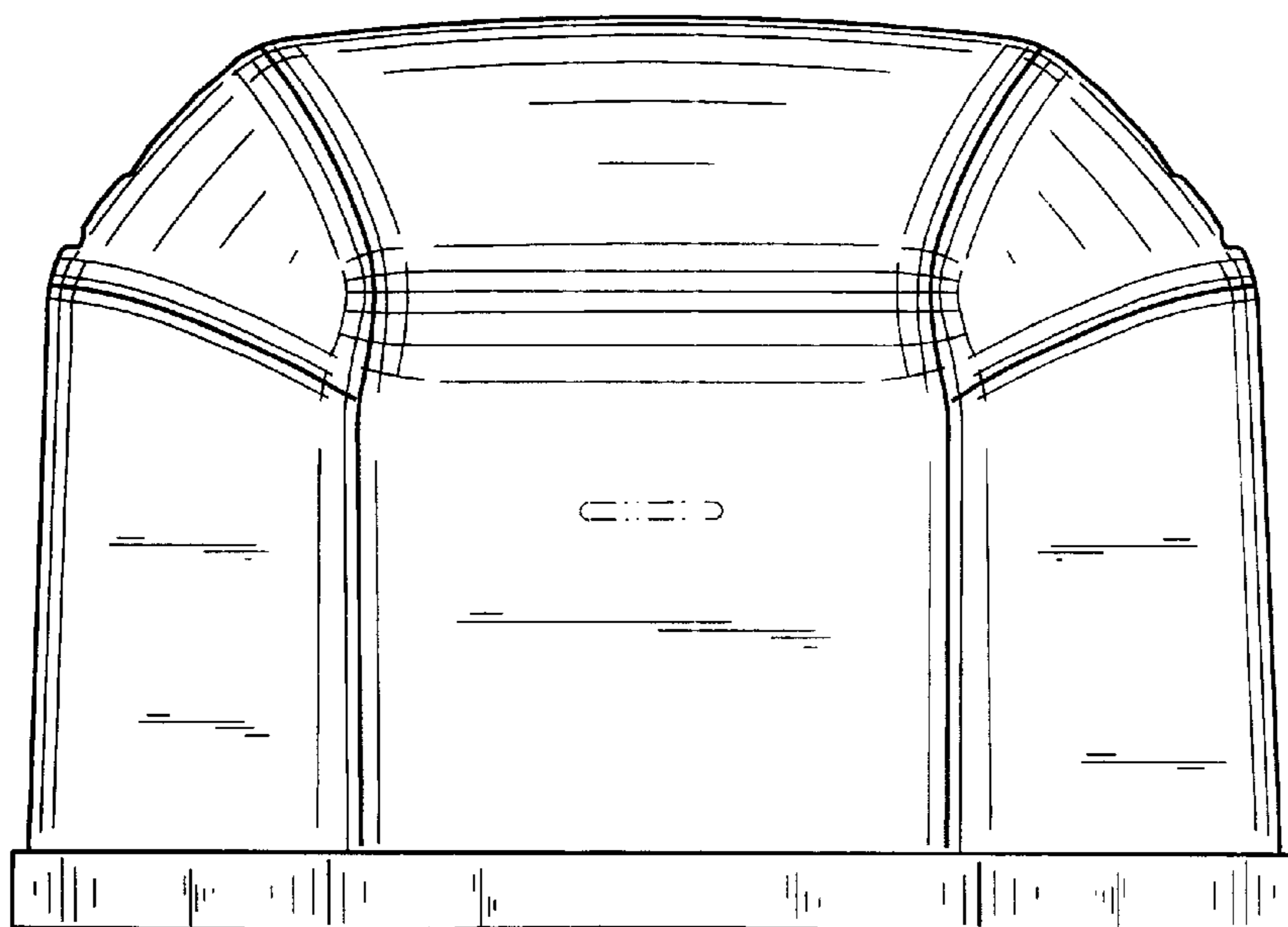




FIG. 5

