



US00D461814S

(12) **United States Design Patent**
Felix et al.

(10) **Patent No.: US D461,814 S**
(45) **Date of Patent: ** Aug. 20, 2002**

(54) **DOCKING STATION**

(75) Inventors: **Ian Felix**, Los Gatos; **Gene Zierdt**,
Saratoga; **Derek Debusschere**,
Stanford; **Imraan Aziz**, Oakland; **Neil
Goldberg**, Berkeley, all of CA (US)

(73) Assignee: **Novasonics, Inc.**, Mountain View, CA
(US)

(**) Term: **14 Years**

(21) Appl. No.: **29/149,730**

(22) Filed: **Oct. 15, 2001**

(51) **LOC (7) Cl.** **14-02**

(52) **U.S. Cl.** **D14/434; D13/108**

(58) **Field of Search** D14/434, 432,
D14/447, 451; D13/107, 108, 118; 361/681,
679-683, 303; 710/303; 320/110

(56) **References Cited**

U.S. PATENT DOCUMENTS

4,558,270	A	*	12/1985	Liautaud et al.	320/110
4,773,032	A	*	9/1988	Uehara et al.	708/134
5,317,691	A	*	5/1994	Traeger	361/303
D411,824	S	*	7/1999	Wilson, Sr. et al.	D13/108
D444,472	S	*	7/2001	Russell et al.	D14/434

* cited by examiner

Primary Examiner—Kay H. Chin

(74) *Attorney, Agent, or Firm*—Carr & Ferrell LLP

(57) **CLAIM**

The ornamental design for a docking station, as shown and described.

DESCRIPTION

FIG. 1A is perspective view of a docking station showing the front and left side of our new design, with a battery holder module, a gel warmer module, a PDU holder/recharger module and a transducer holder module fully assembled onto a docking station base wherein the order and arrange-

ment of the individual modules onto the docking station base as shown is merely exemplary, the modules being capable of arrangement in any order;

FIG. 1B is an exploded perspective view of the docking station of FIG. 1A, showing the battery holder module, the gel warmer module, the PDU holder/recharger module and the transducer holder module removed from the docking station base;

FIG. 2A is a perspective view of the battery holder module of the docking station of FIG. 1B;

FIG. 2B is a front plan view of the battery holder module of the docking station of FIG. 1B;

FIG. 2C is a rear plan view of the battery holder module of the docking station of FIG. 1B;

FIG. 2D is a right side plan view of the battery holder module of the docking station of FIG. 1B, the left side view being a mirror image of the right side and thus not shown;

FIG. 2E is a top plan view of the battery holder module of the docking station of FIG. 1B;

FIG. 3A is a perspective view of the gel warmer module of the docking station of FIG. 1B;

FIG. 3B is a front plan view of the gel warmer module of the docking station of FIG. 1B;

FIG. 3C is a rear plan view of the gel warmer module of the docking station of FIG. 1B;

FIG. 3D is a right side plan view of the gel warmer module of the docking station of FIG. 1B, the left side view being a mirror image of the right side and thus not shown;

FIG. 3E is a top plan view of the gel warmer module of the docking station of FIG. 1B;

FIG. 4A is a perspective view of the PDU holder/recharger module of the docking station of FIG. 1B;

FIG. 4B is a front plan view of the PDU holder/recharger module of the Docking station of FIG. 1B;

FIG. 4C is a rear plan view of the PDU holder/recharger module of the docking station of FIG. 1B;

FIG. 4D is a right side plan view of the PDU holder/recharger module of the docking station of FIG. 1B, the left side view being a mirror image of the right side and thus not shown;

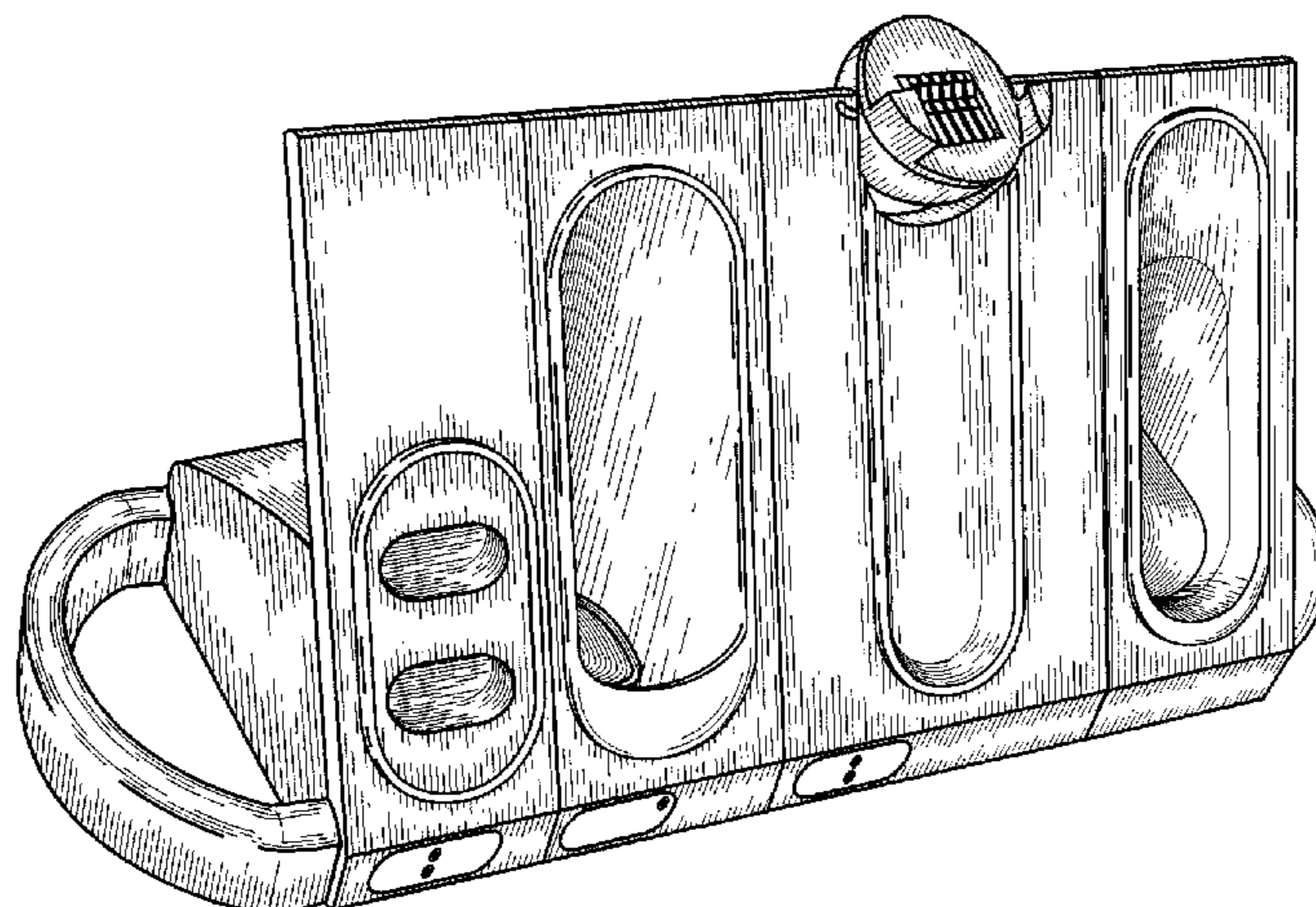


FIG. 4E is a top plan view of the PDU holder/recharger module of the docking station of FIG. 1B;

FIG. 5A is a perspective view of the transducer holder module of the docking station of FIG. 1B;

FIG. 5B is a front plan view of the transducer holder module of the docking station of FIG. 1B;

FIG. 5C is a rear plan view of the transducer holder module of the docking station of FIG. 1B;

FIG. 5D is a right side plan view of the transducer holder module of the docking station of FIG. 1B, the left side view being a mirror image of the right side and thus not shown; and,

FIG. 5E is a top plan view of the transducer holder module of the docking station of FIG. 1B.

1 Claim, 11 Drawing Sheets

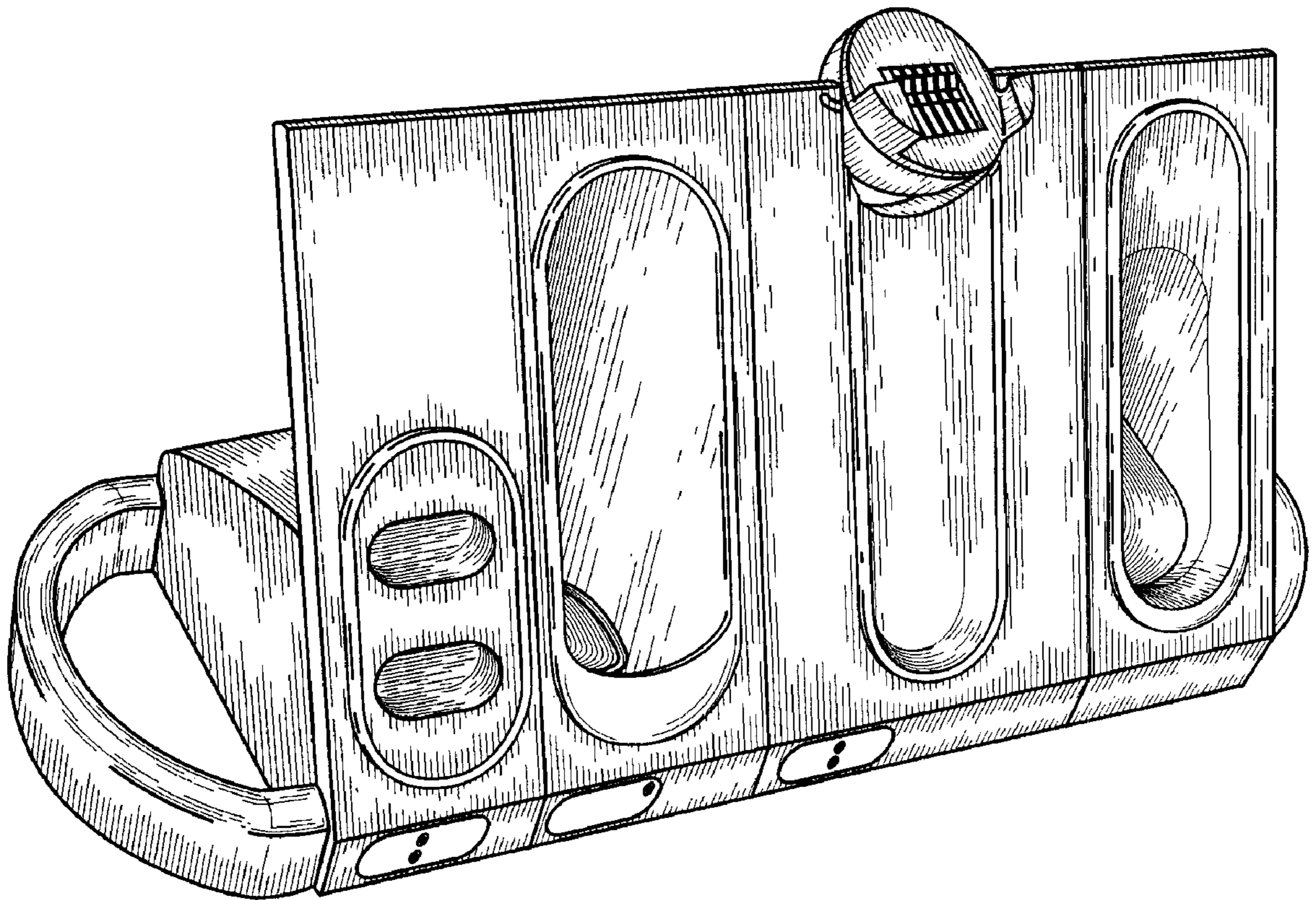
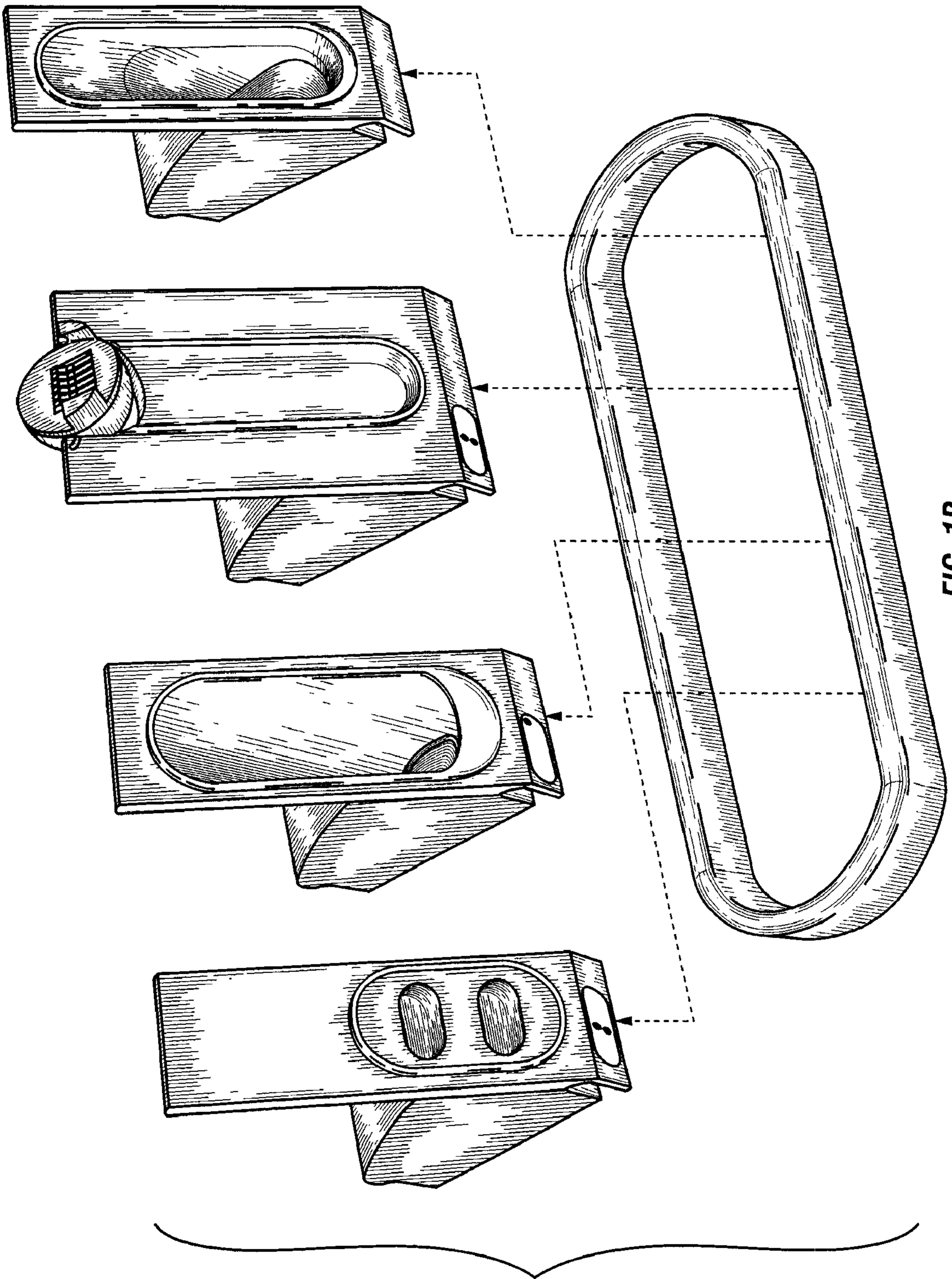


FIG. 1A



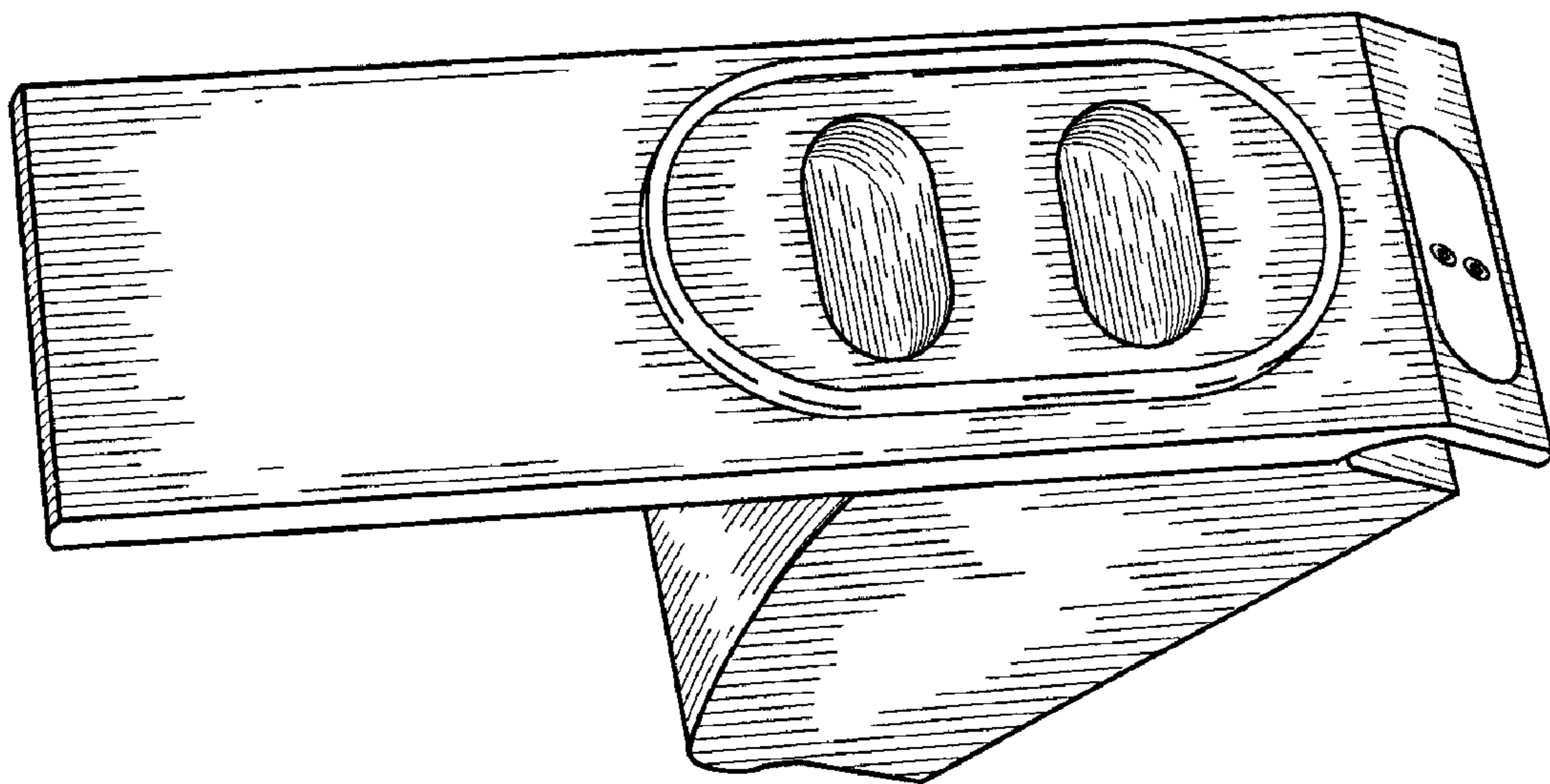


FIG. 2A

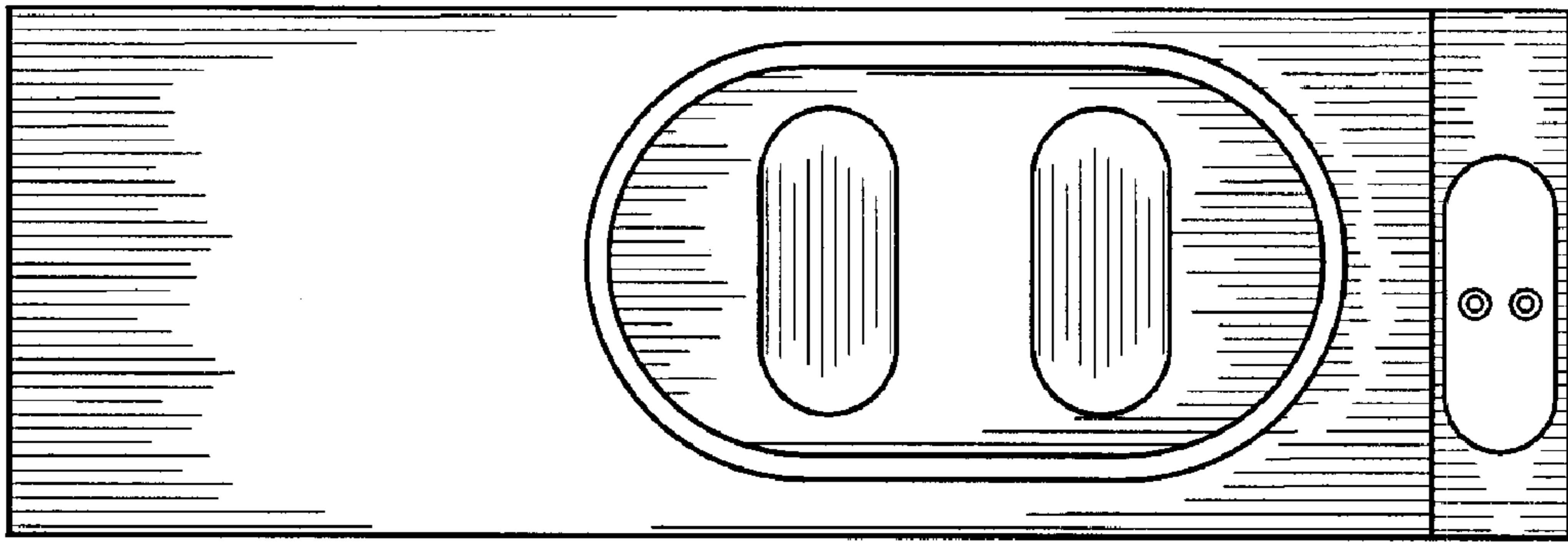


FIG. 2B

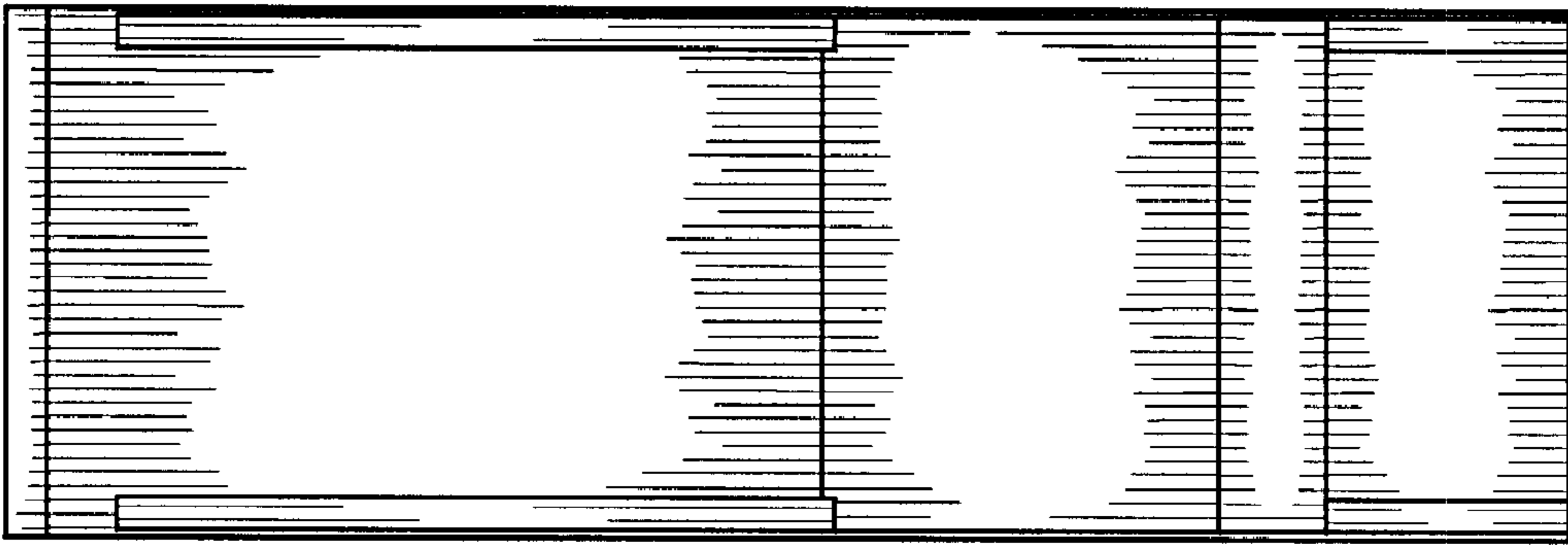


FIG. 2C

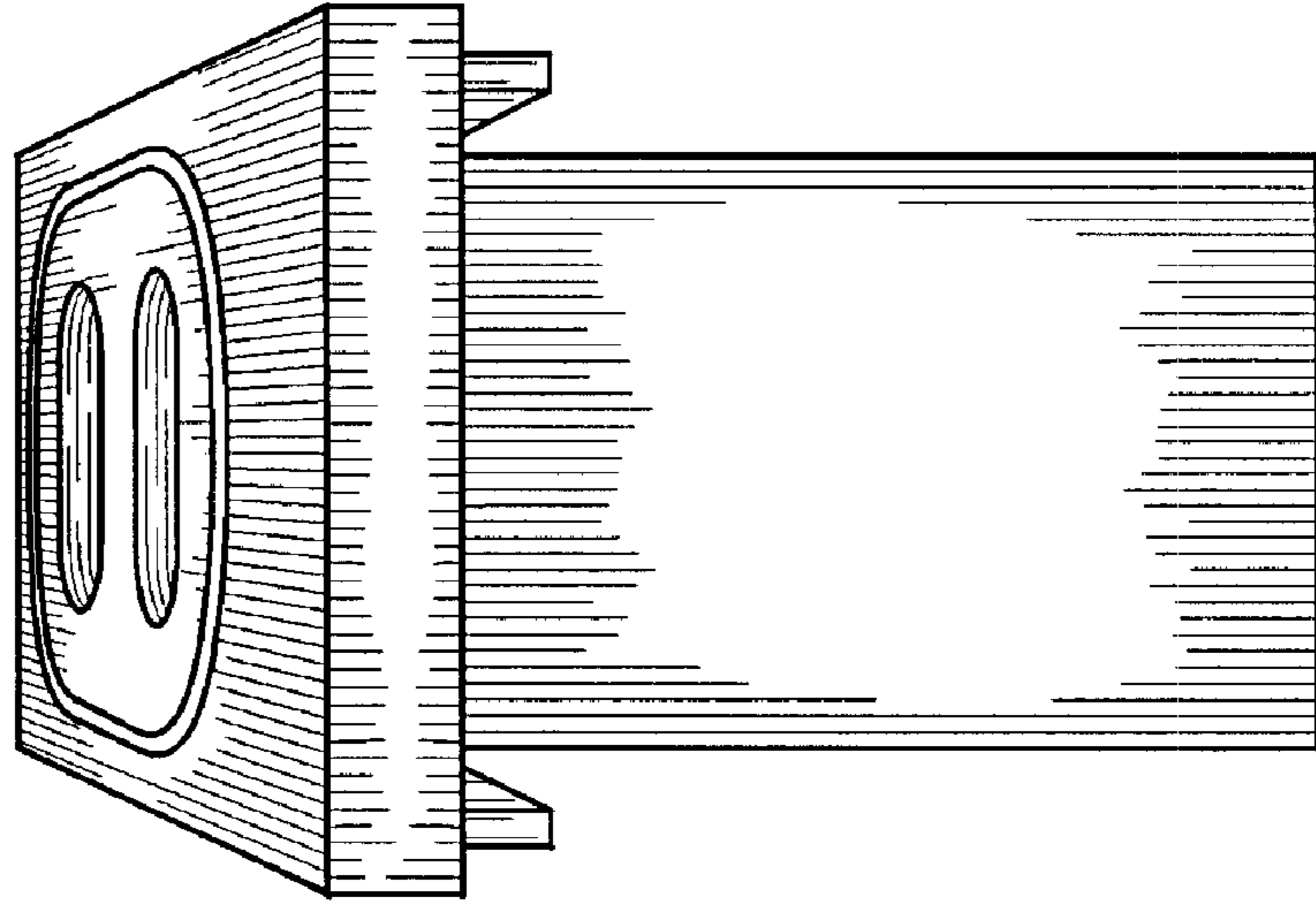


FIG. 2E

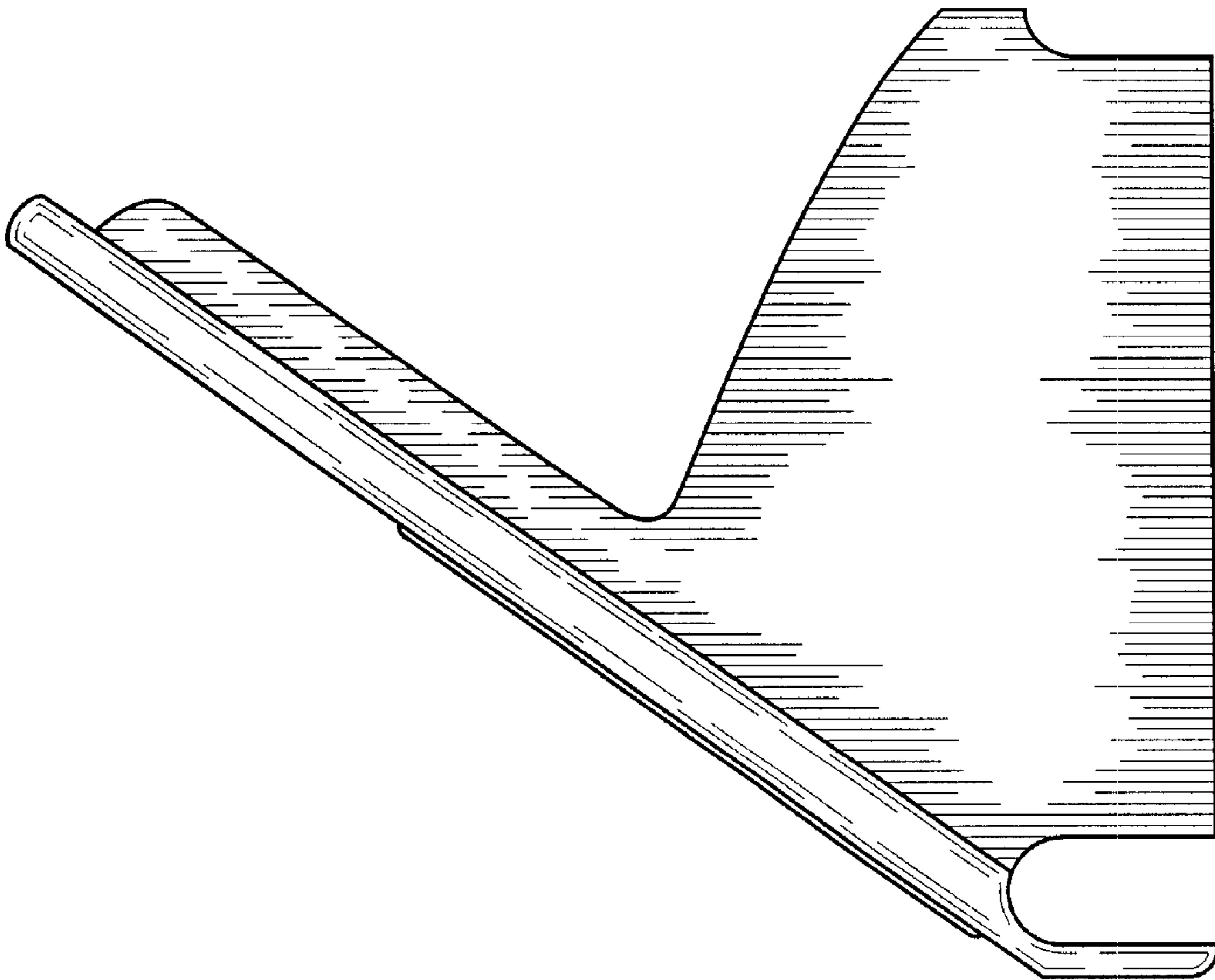


FIG. 2D

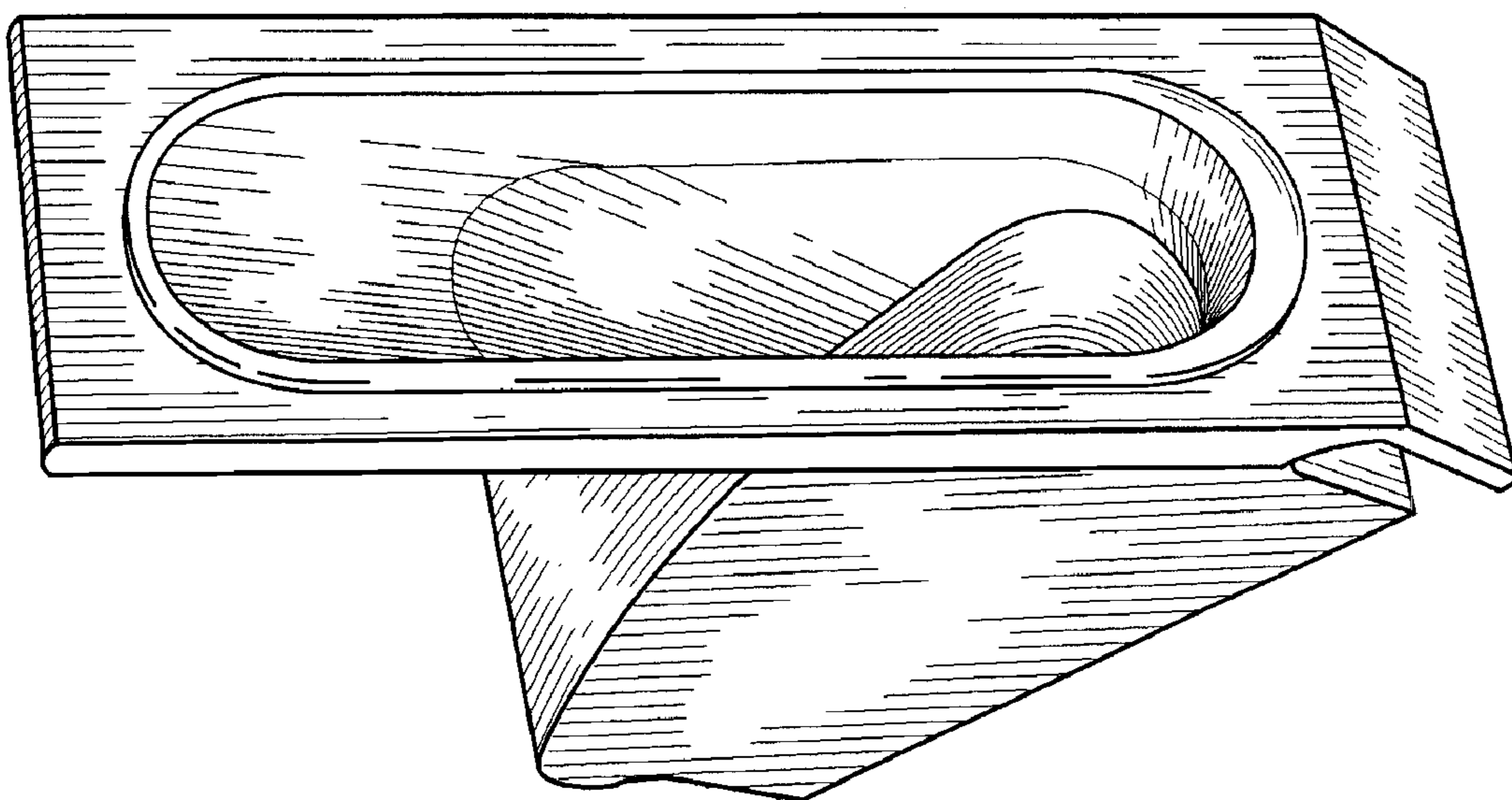


FIG. 3A

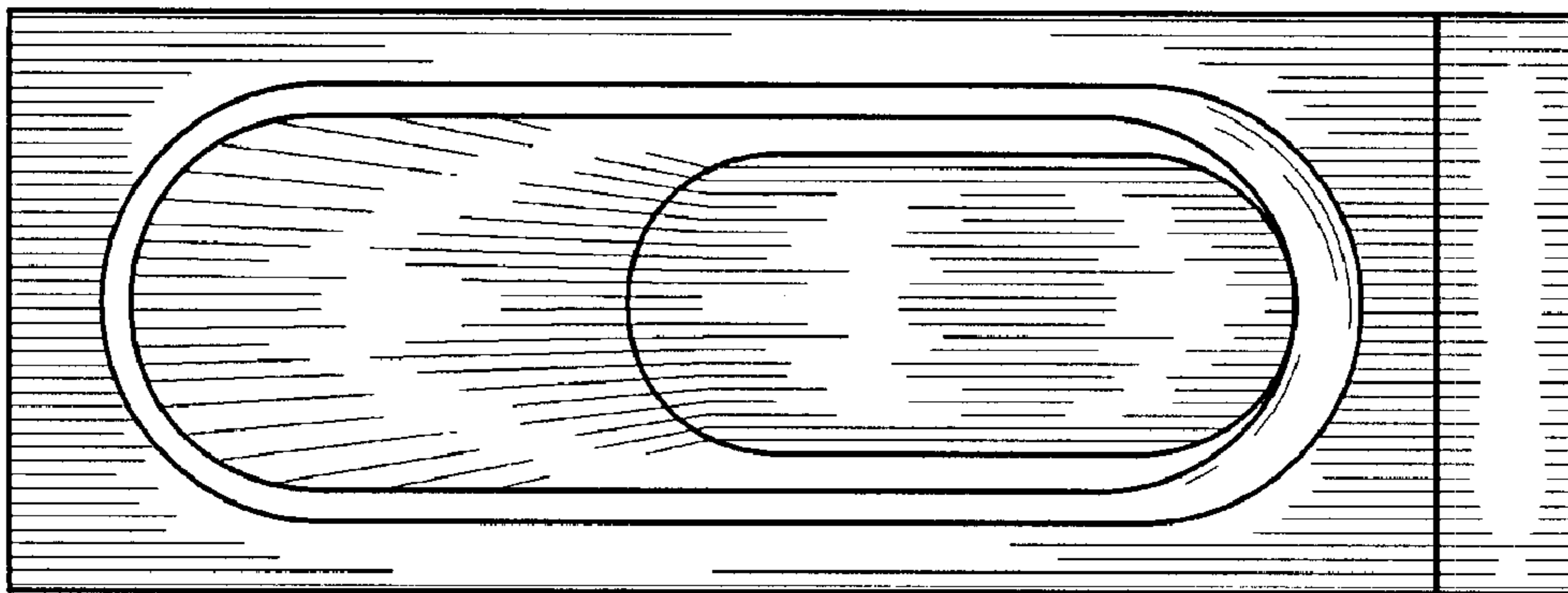


FIG. 3B

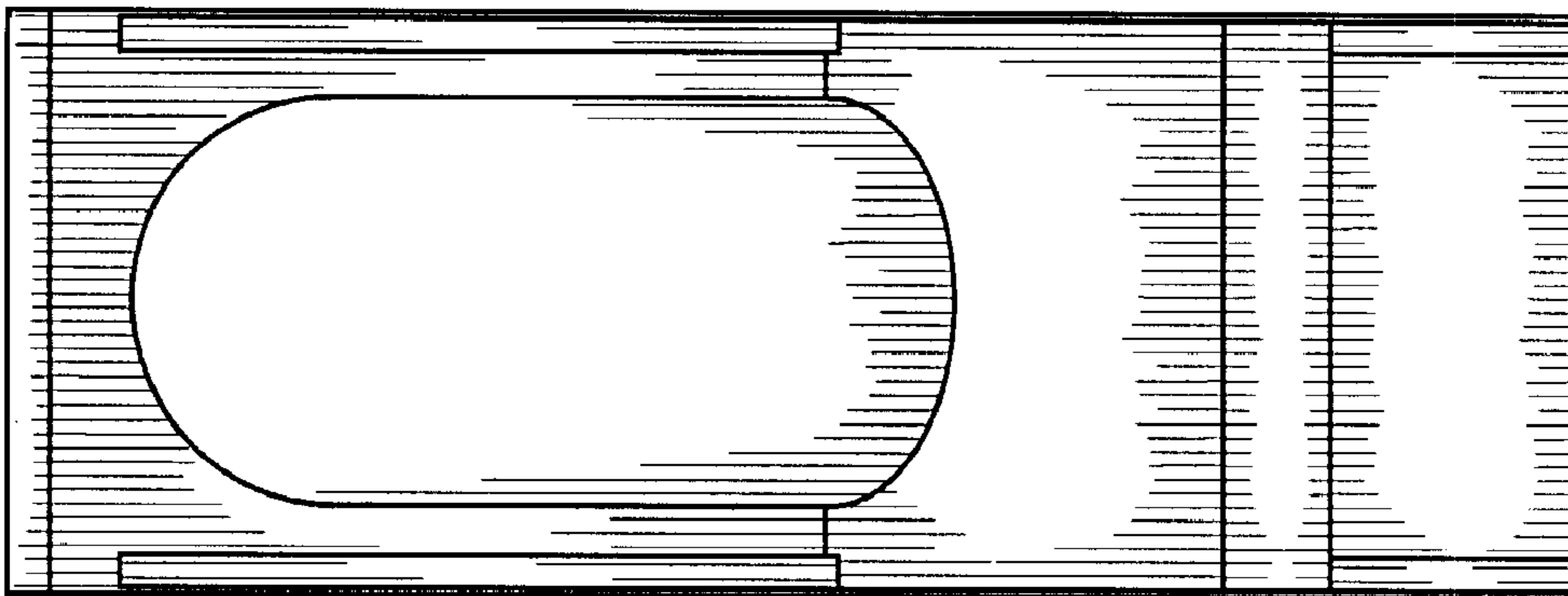


FIG. 3C

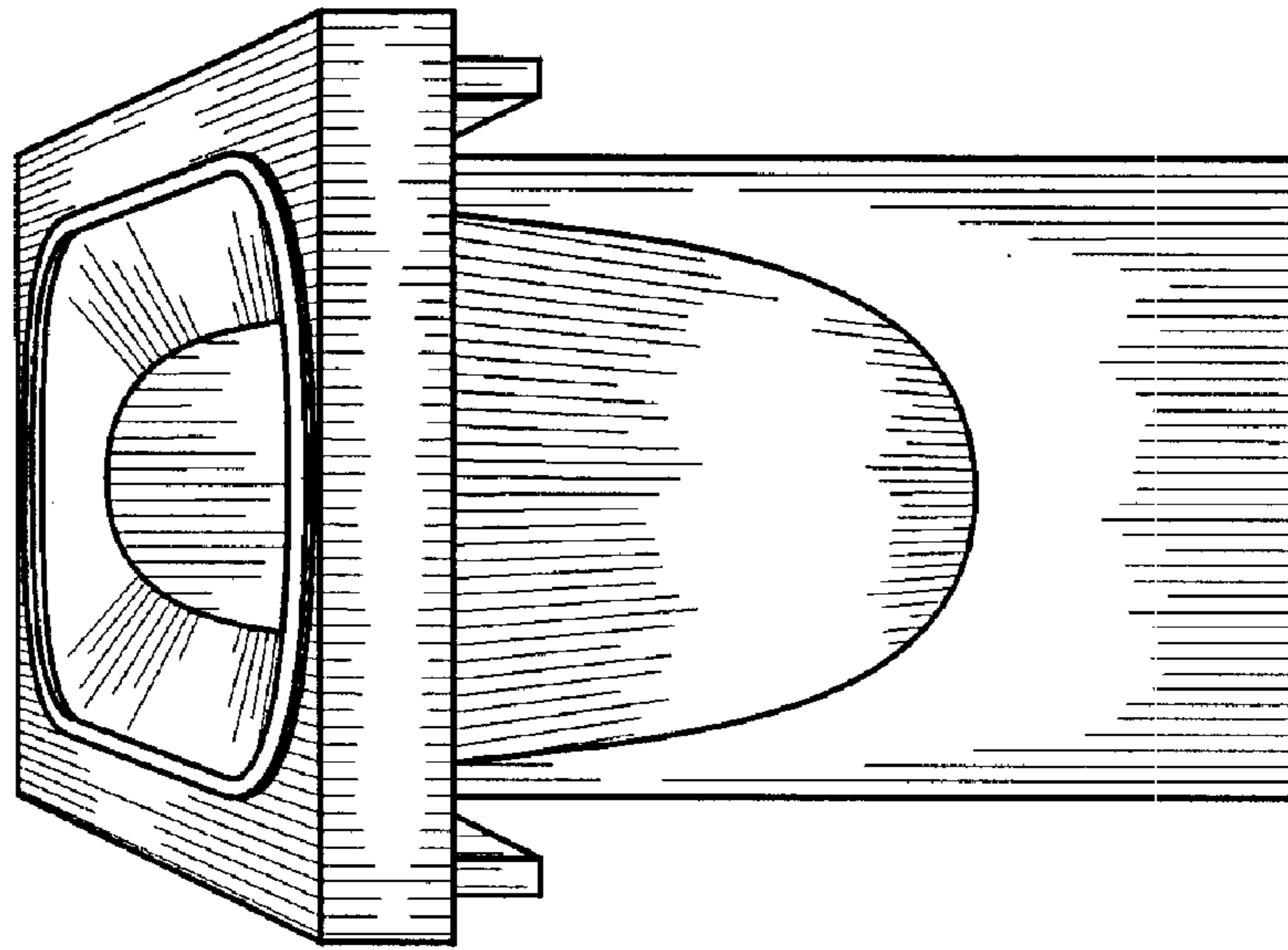


FIG. 3E

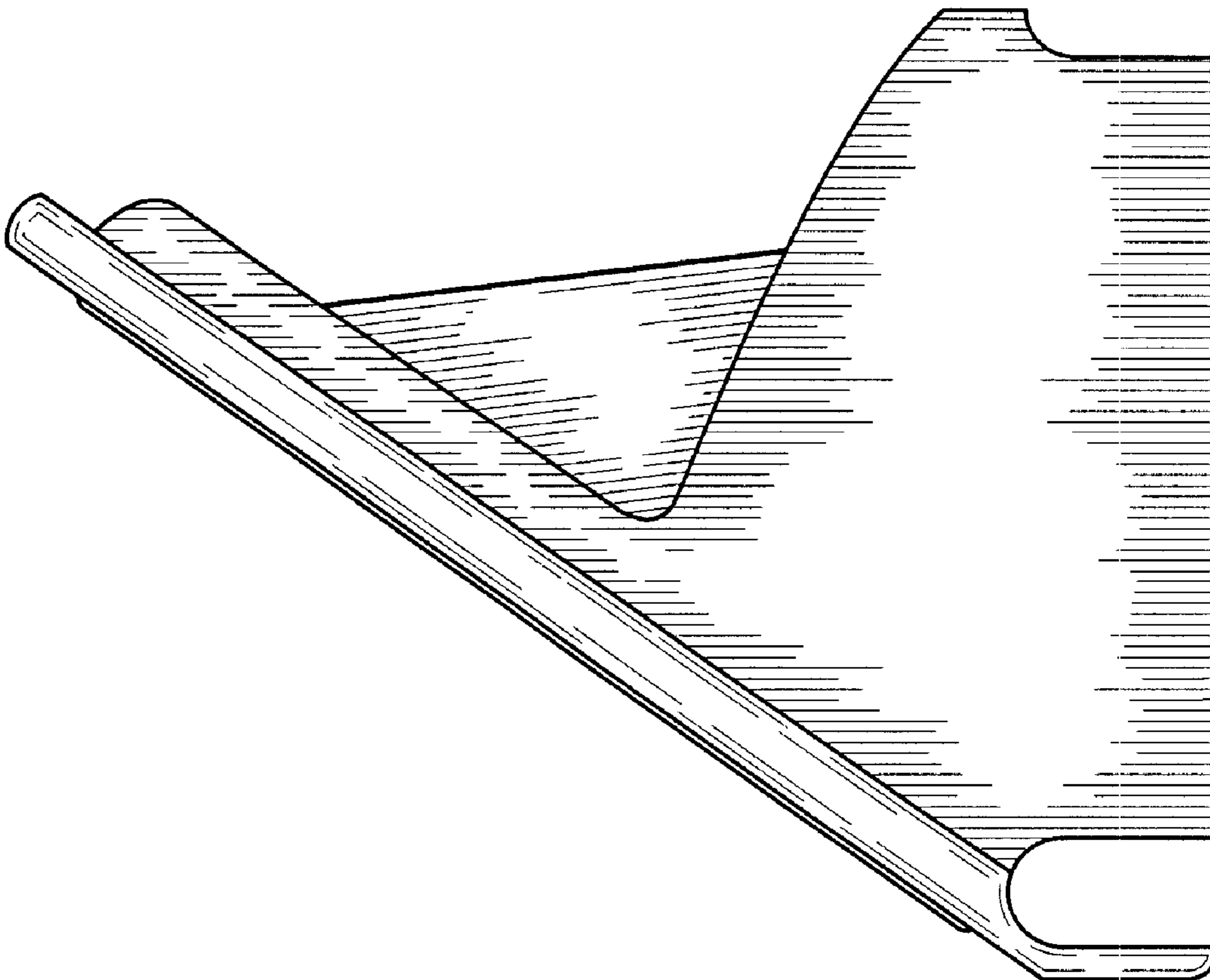


FIG. 3D

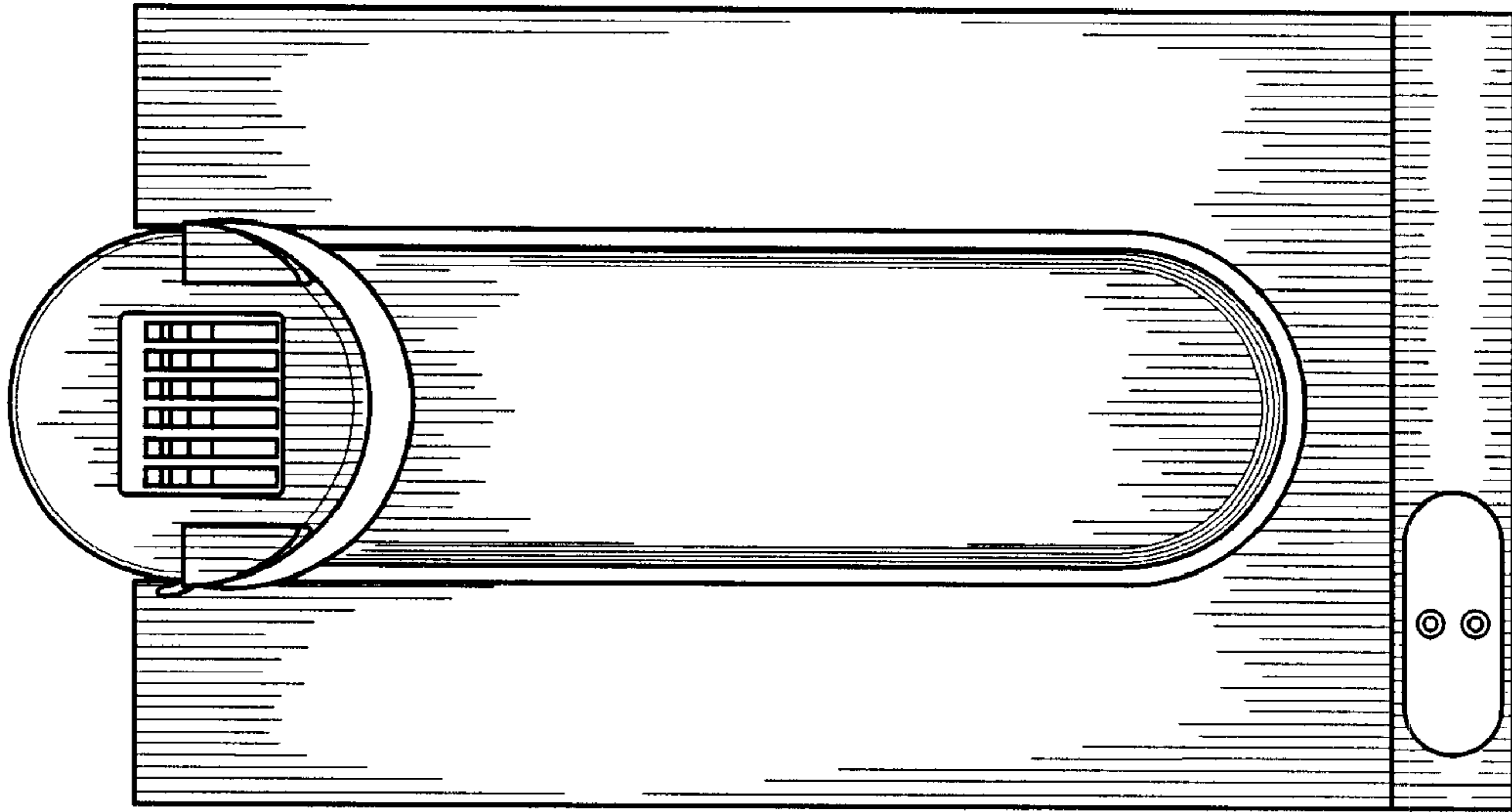


FIG. 4B

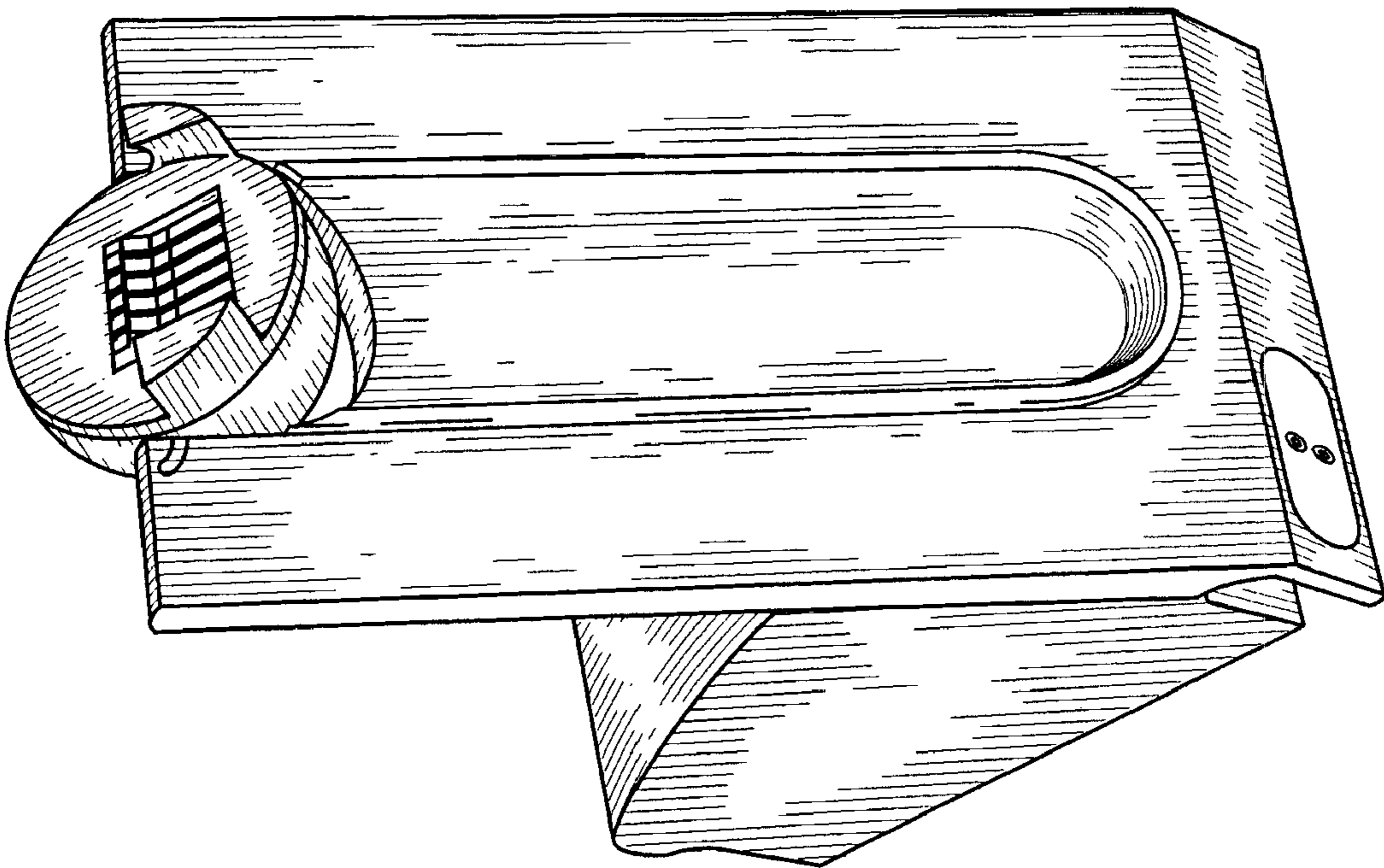


FIG. 4A

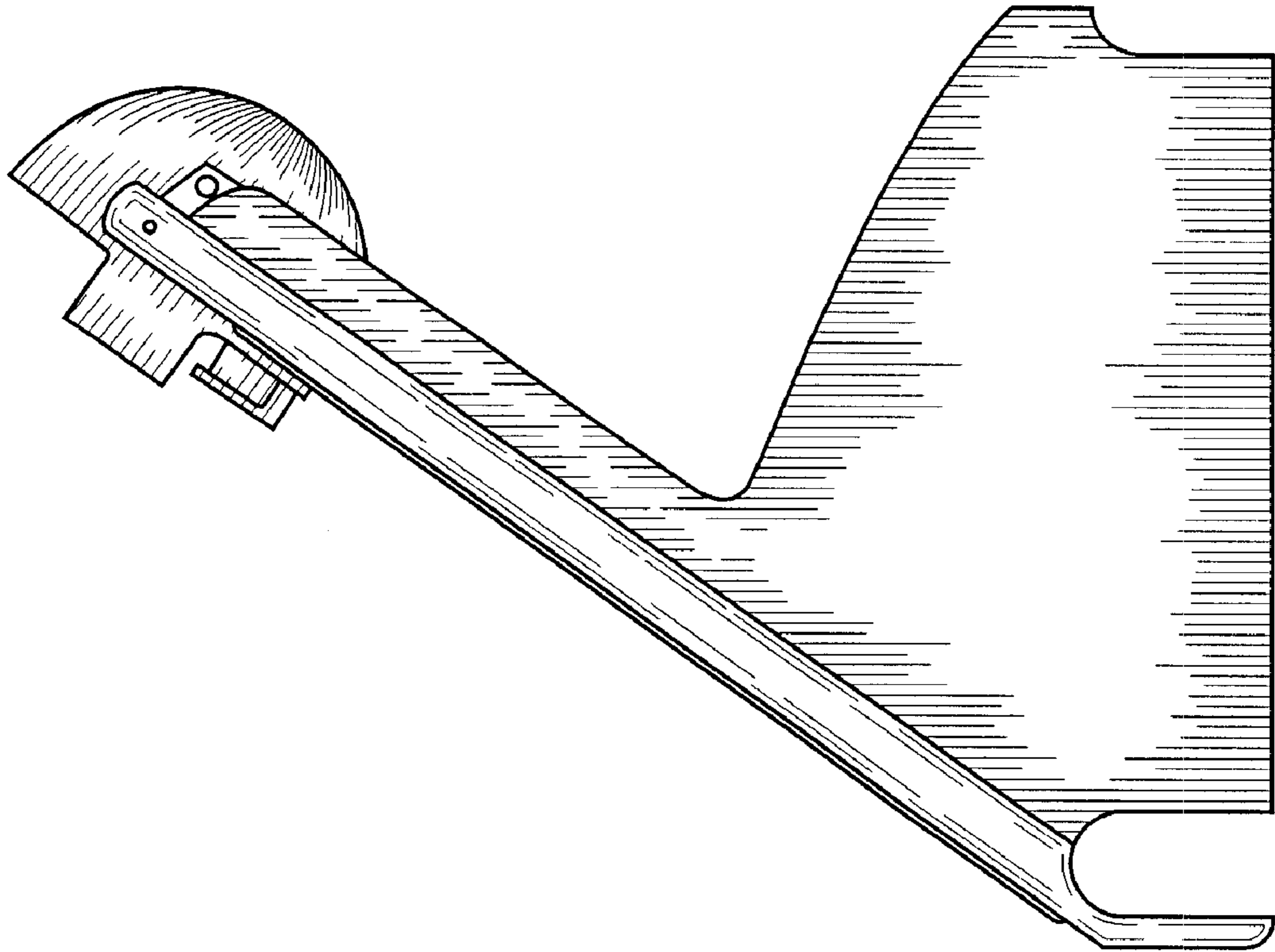


FIG. 4D

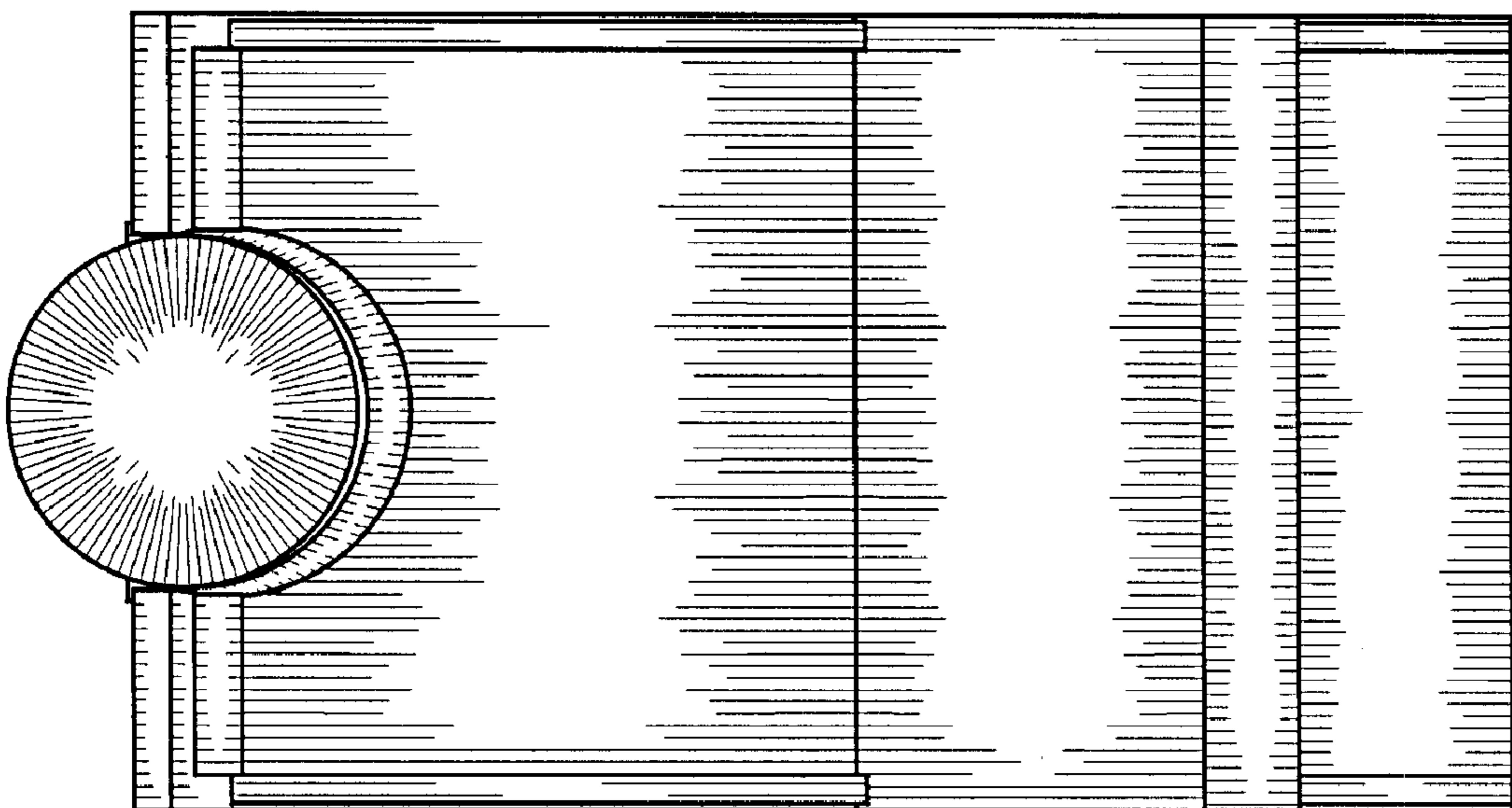


FIG. 4C

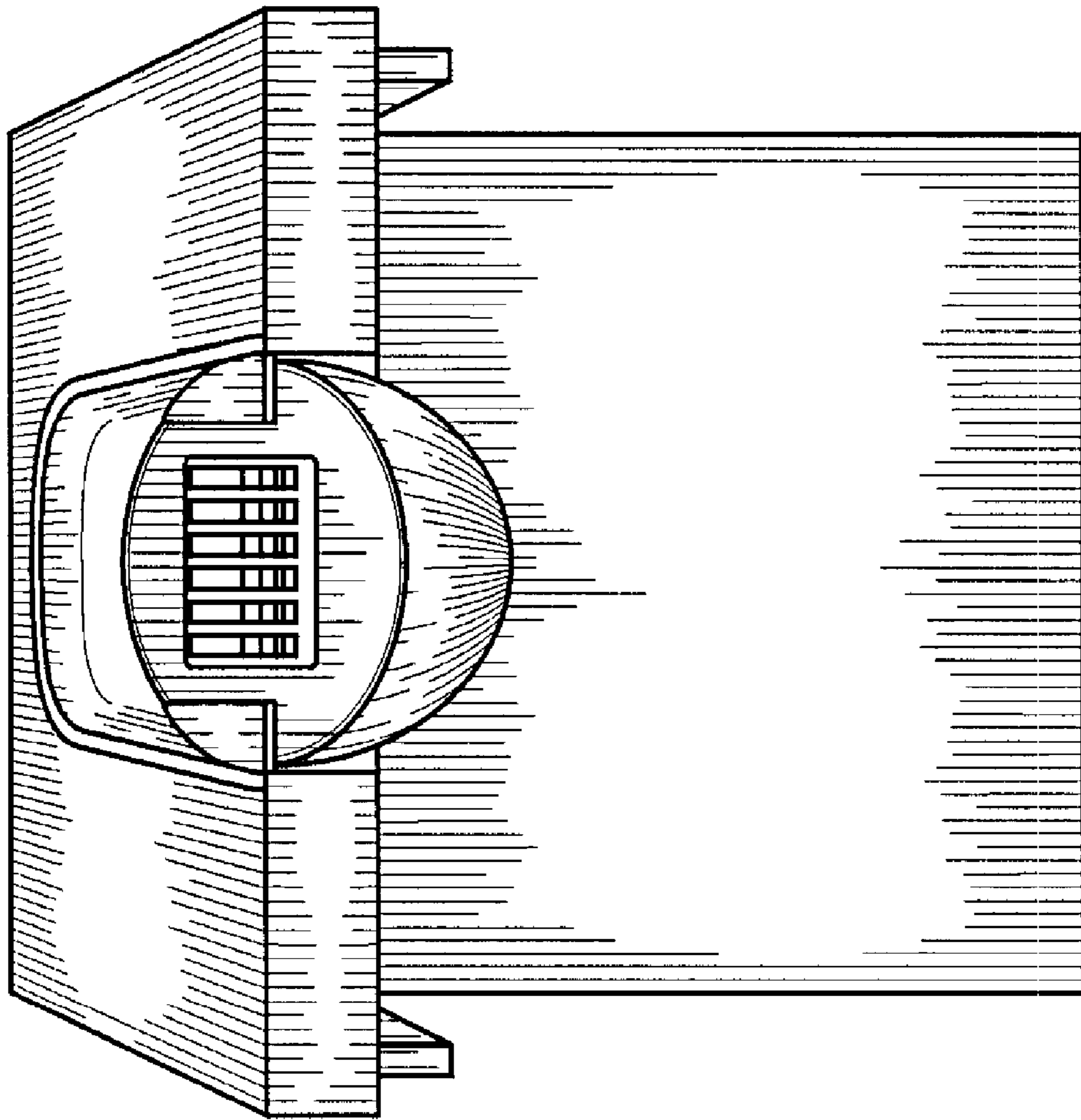


FIG. 4E

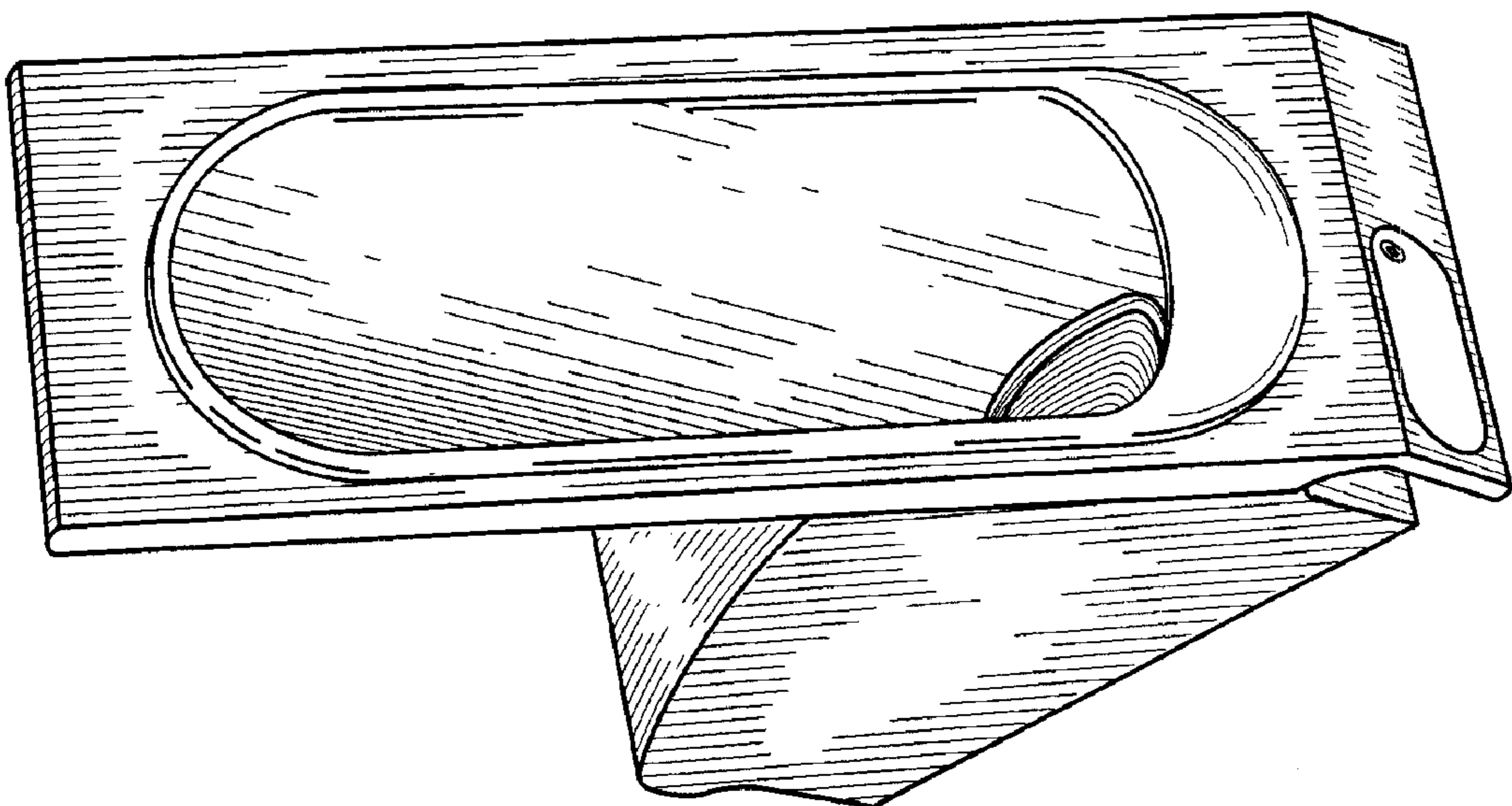


FIG. 5A

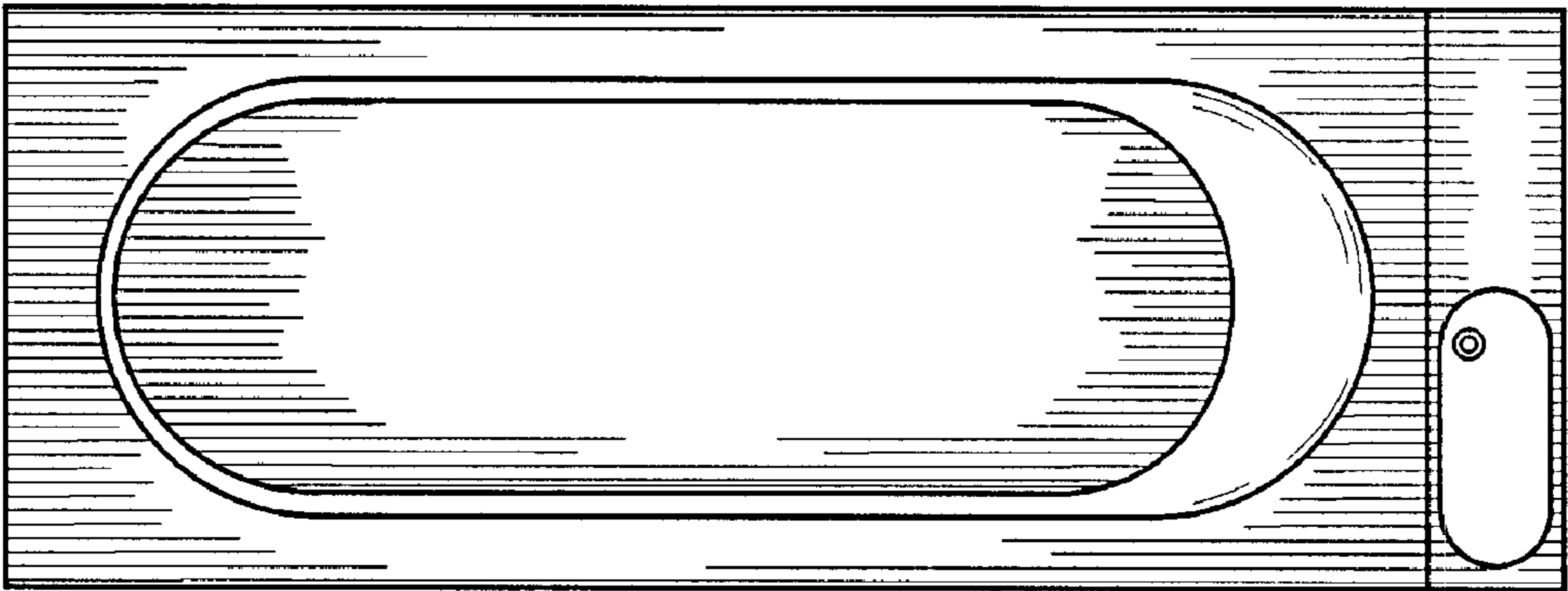


FIG. 5B

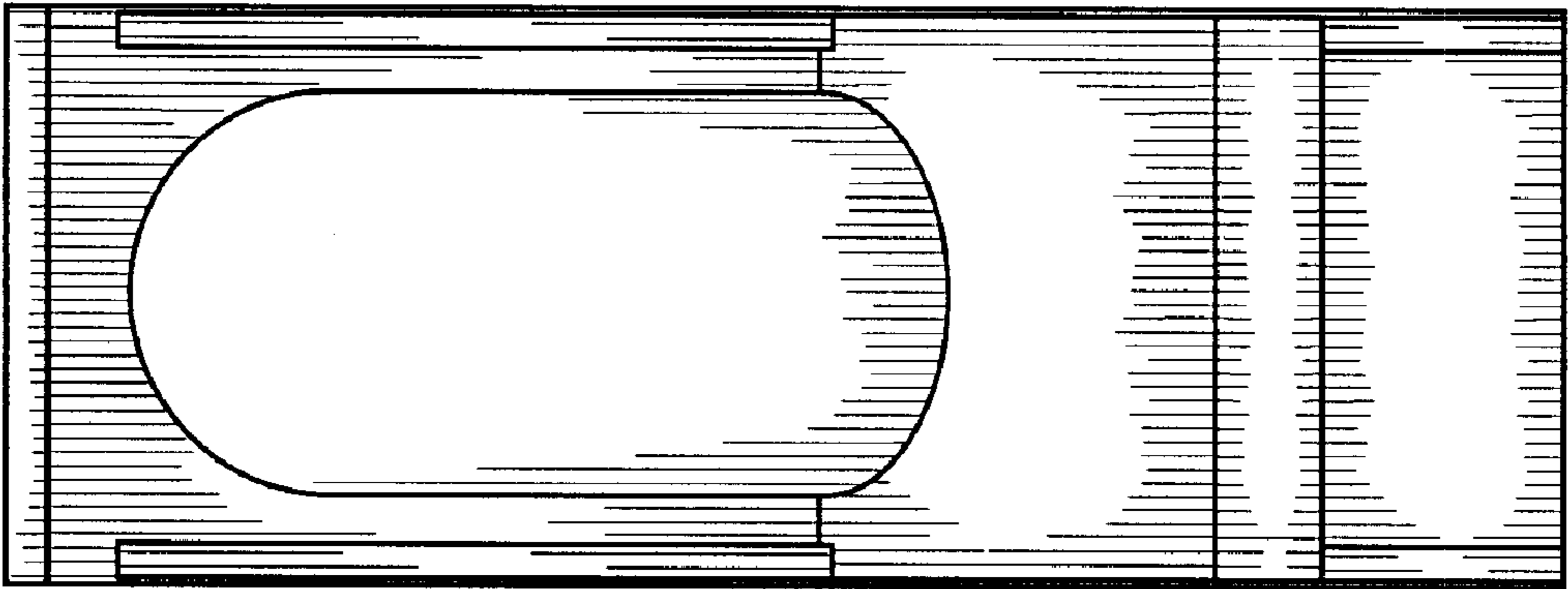


FIG. 5C

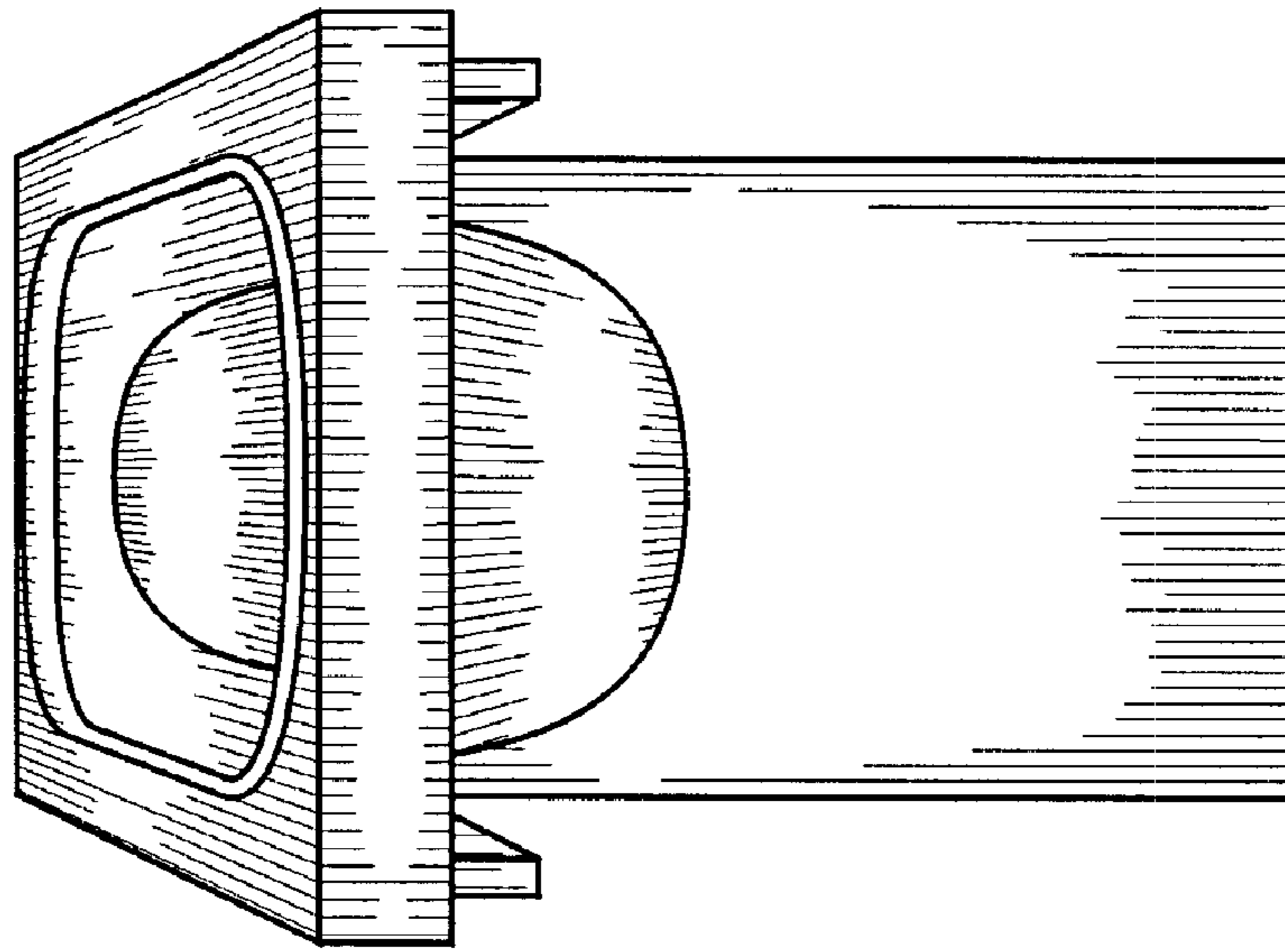


FIG. 5E

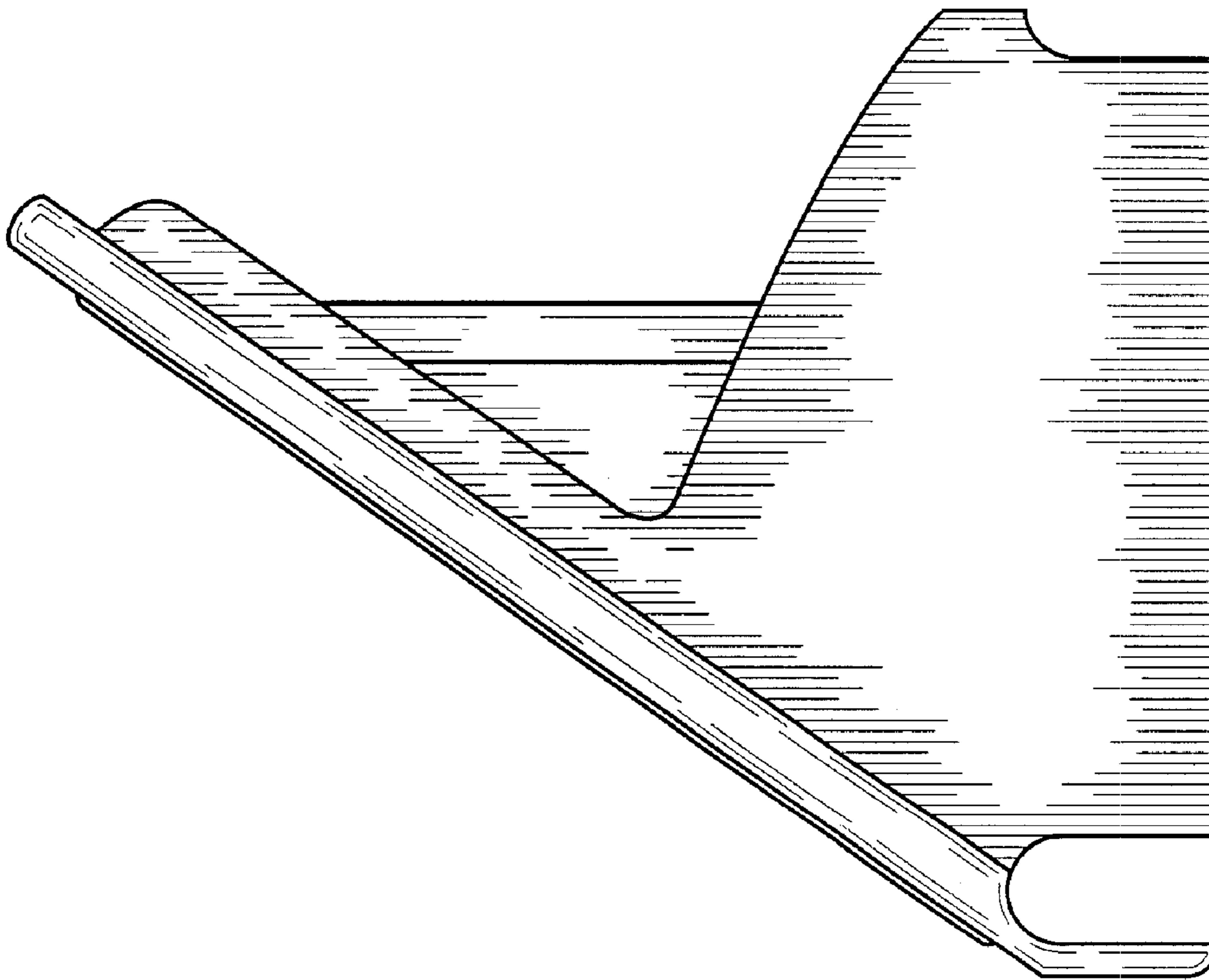


FIG. 5D