



US00D461812S

(12) **United States Design Patent**
Khovaylo et al.

(10) **Patent No.:** **US D461,812 S**

(45) **Date of Patent:** **** Aug. 20, 2002**

(54) **OPTICAL SCANNER**

D450,668 S * 11/2001 Khovaylo et al. D14/434
D450,706 S * 11/2001 Khovaylo et al. D14/425

(75) Inventors: **Modest Khovaylo**, Fort Collins, CO
(US); **Davin Stowell**, New York; **Scott Henderson**, Brooklyn, both of NY (US)

* cited by examiner

Primary Examiner—Freda Nunn

(73) Assignee: **Hewlett-Packard Company**, Palo Alto, CA (US)

(57) **CLAIM**

(**) Term: **14 Years**

The ornamental design for an optical scanner, as shown and described.

(21) Appl. No.: **29/144,253**

DESCRIPTION

(22) Filed: **Jun. 27, 2001**

Related U.S. Application Data

(62) Division of application No. 29/115,793, filed on Dec. 17, 1999, now Pat. No. Des. 448,382, which is a division of application No. 29/092,525, filed on Aug. 20, 1998, now Pat. No. Des. 450,668.

FIG. 1 is a top front right perspective view of an optical scanner comprising a front portion showing our new design; FIG. 2 is a top front left perspective view; FIG. 3 is a top rear right perspective view; FIG. 4 is a top rear left perspective view; FIG. 5 is a front elevation view; FIG. 6 is a rear elevation view; FIG. 7 is a right side elevation view; FIG. 8 is a left side elevation view; FIG. 9 is a top plan view; FIG. 10 is a bottom plan view; and, FIG. 11 is a top front right perspective view with the cover removed.

(51) **LOC (7) Cl.** **14-02**

(52) **U.S. Cl.** **D14/425**

(58) **Field of Search** D14/422-425;
D18/36, 37, 39; 250/556; 355/64, 65, 75,
81; 235/454, 470, 476, 482, 483, 441

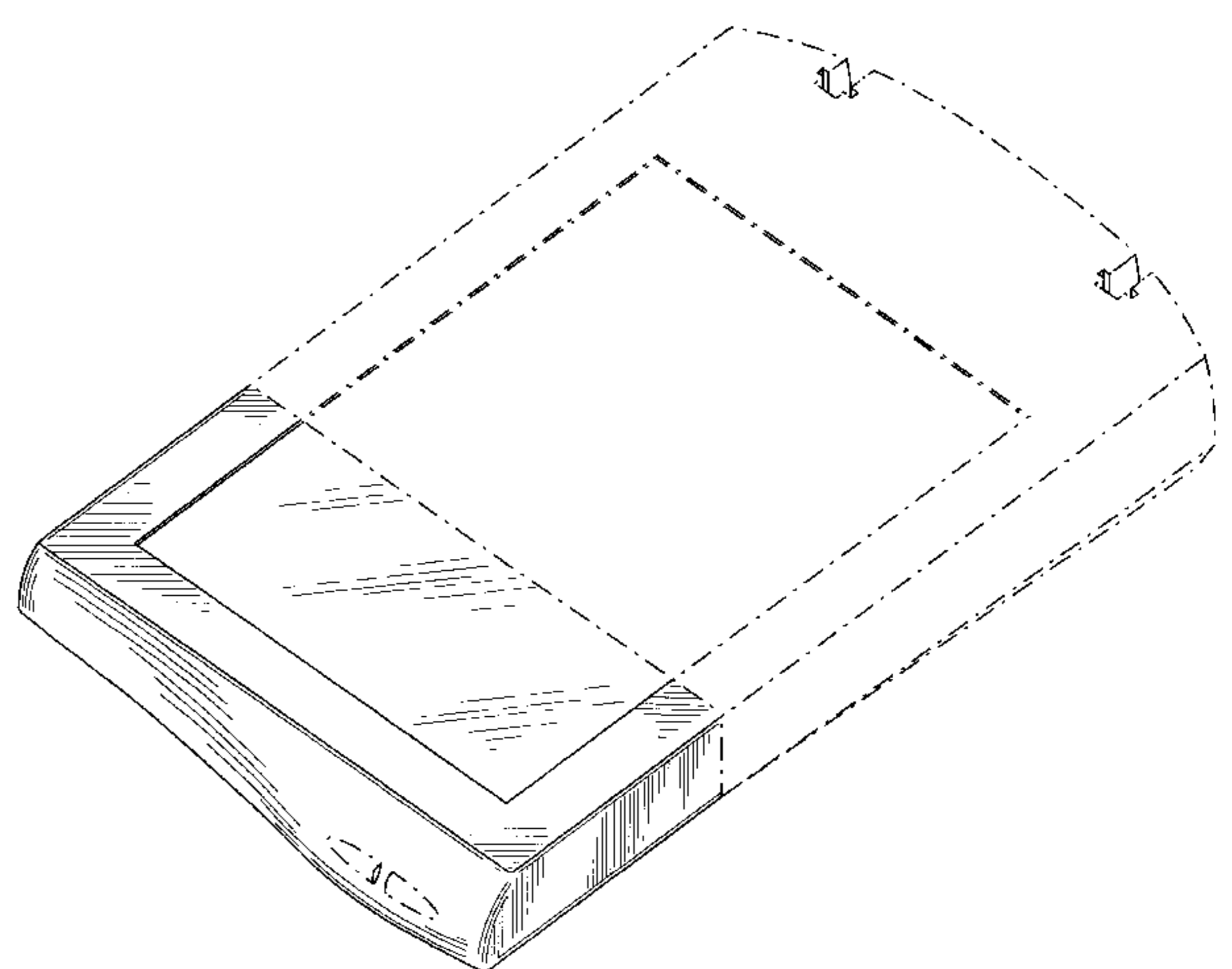
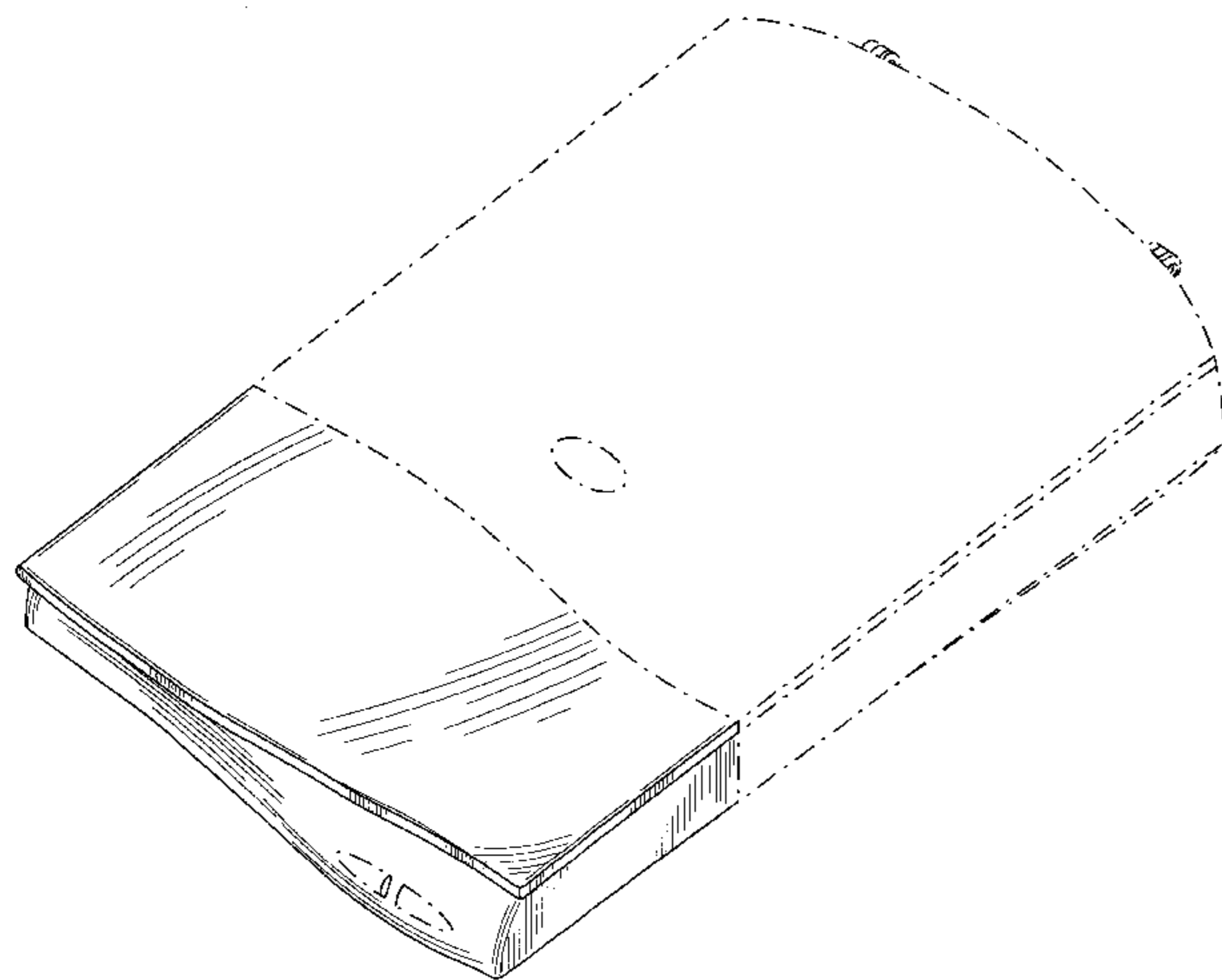
The broken lines are shown in the figures for illustrative purposes only and form no part of the claimed design.

(56) **References Cited**

U.S. PATENT DOCUMENTS

D448,382 S * 9/2001 Khovaylo et al. D14/425

1 Claim, 9 Drawing Sheets



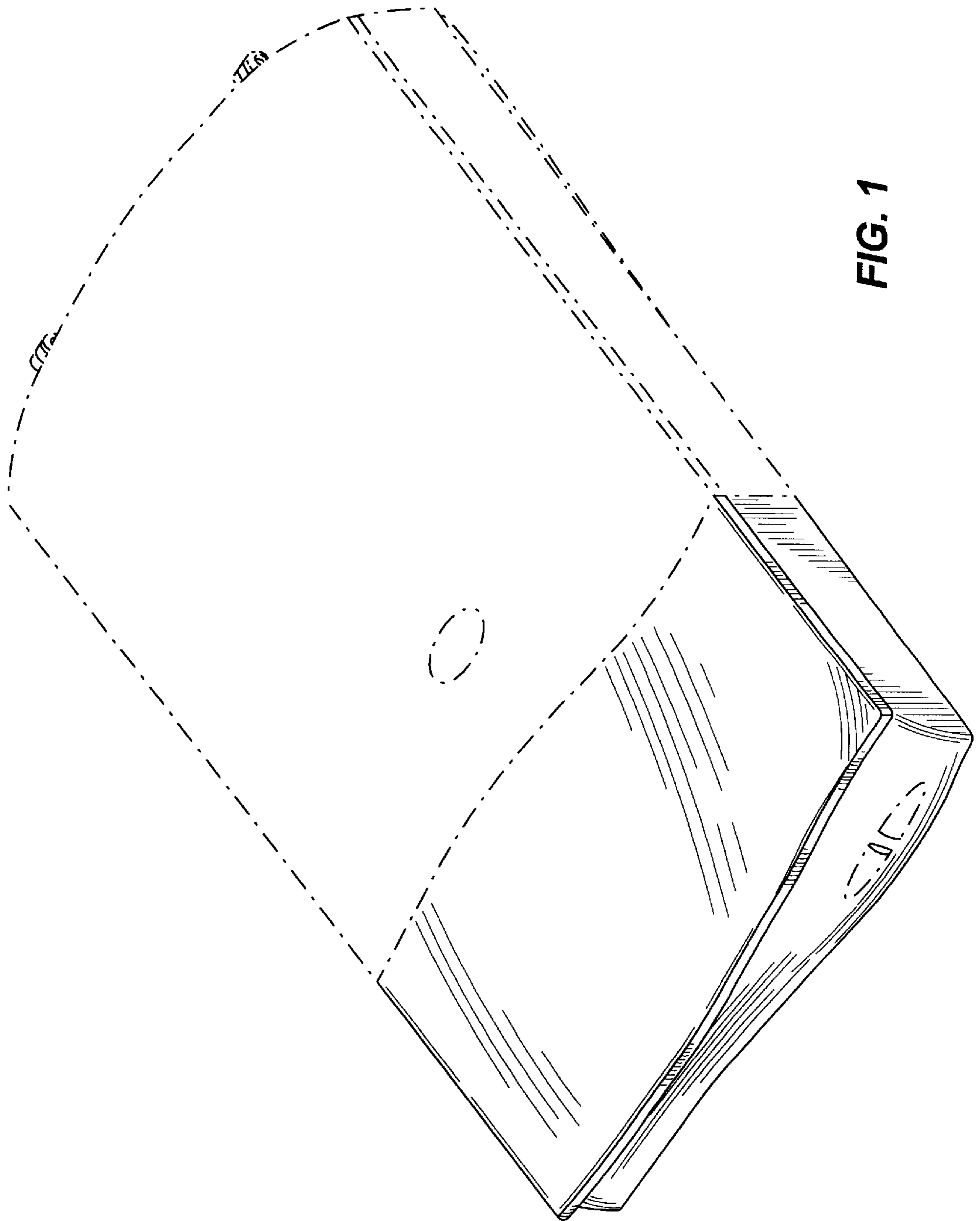


FIG. 1

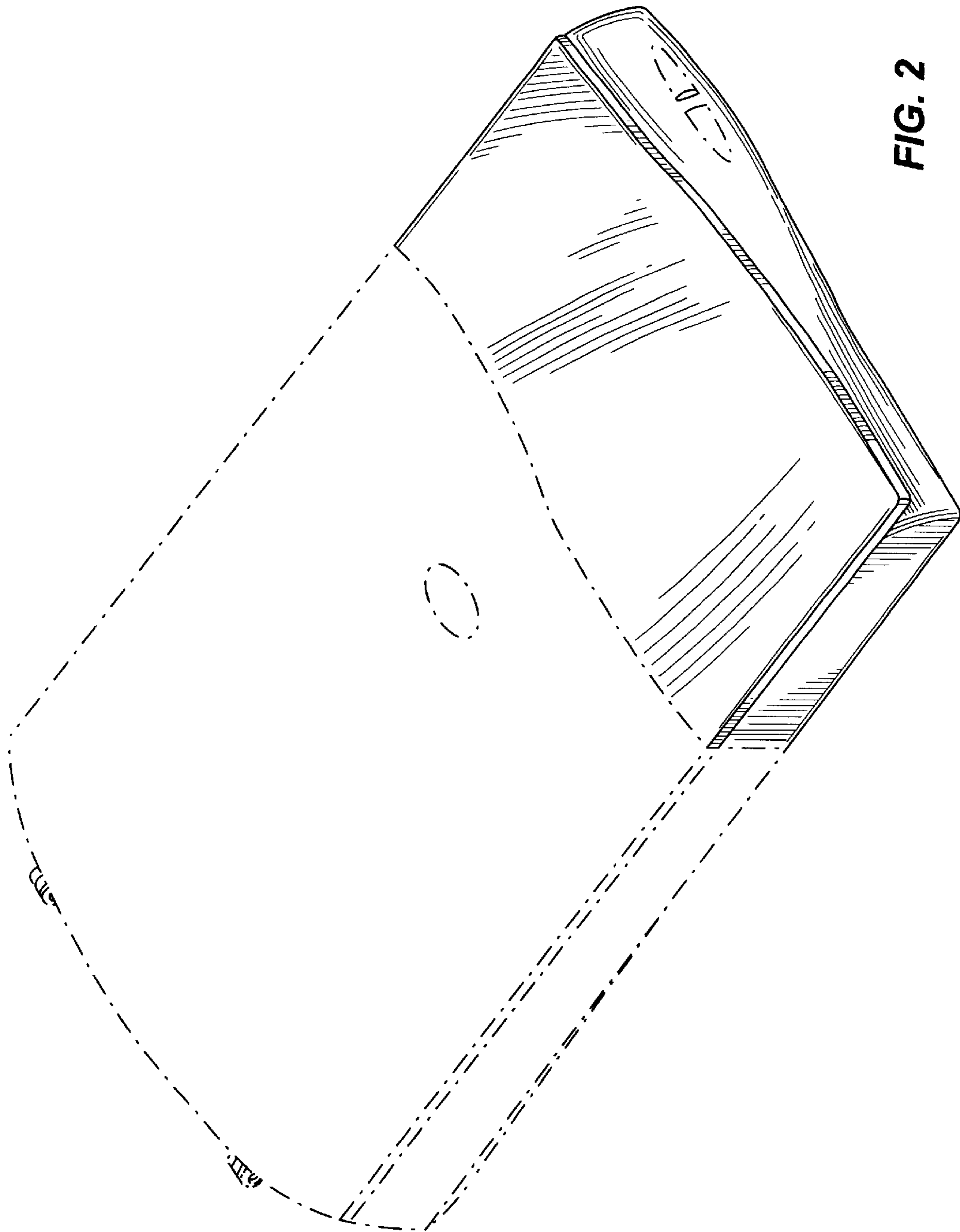


FIG. 2

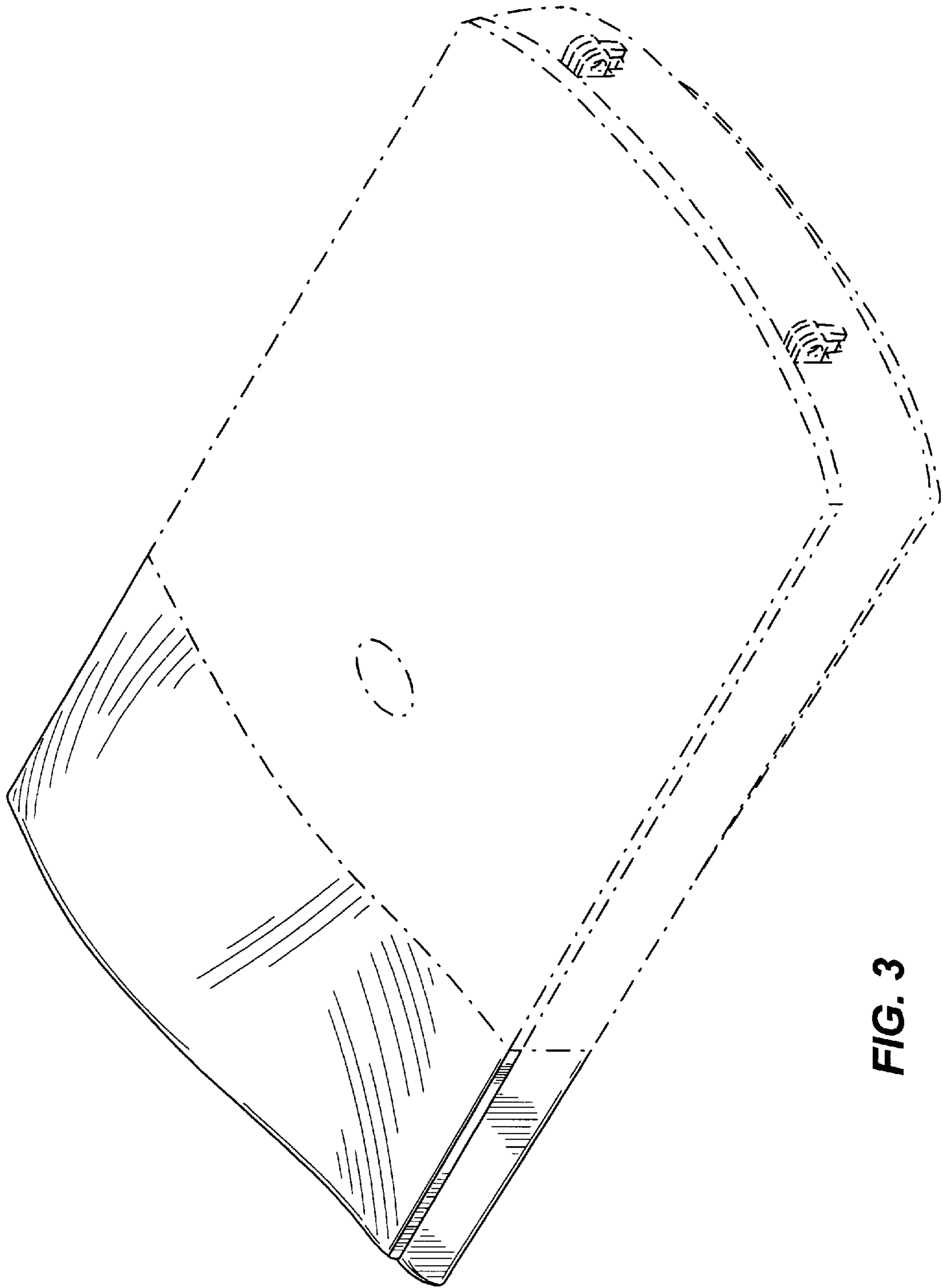


FIG. 3

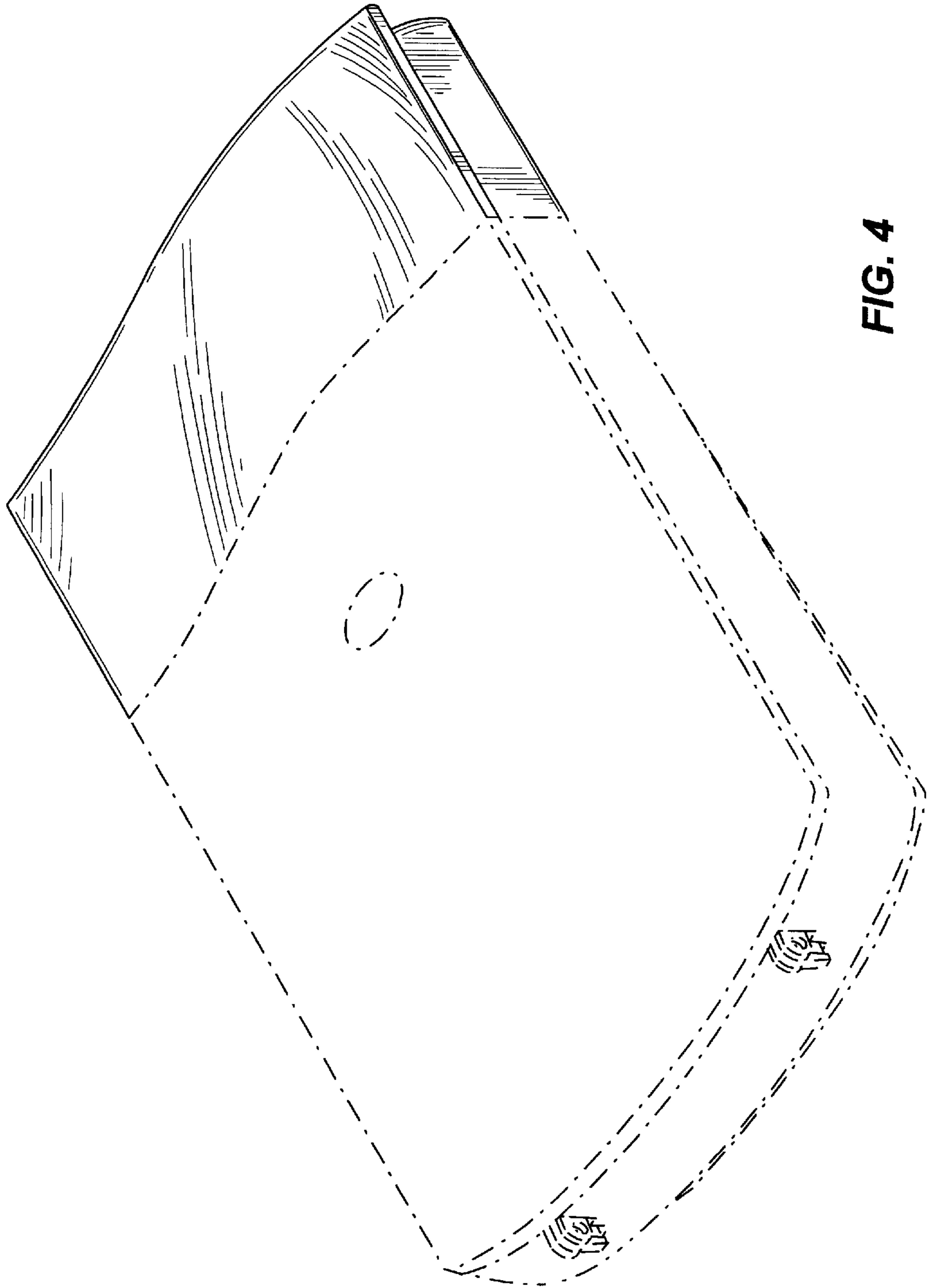


FIG. 4

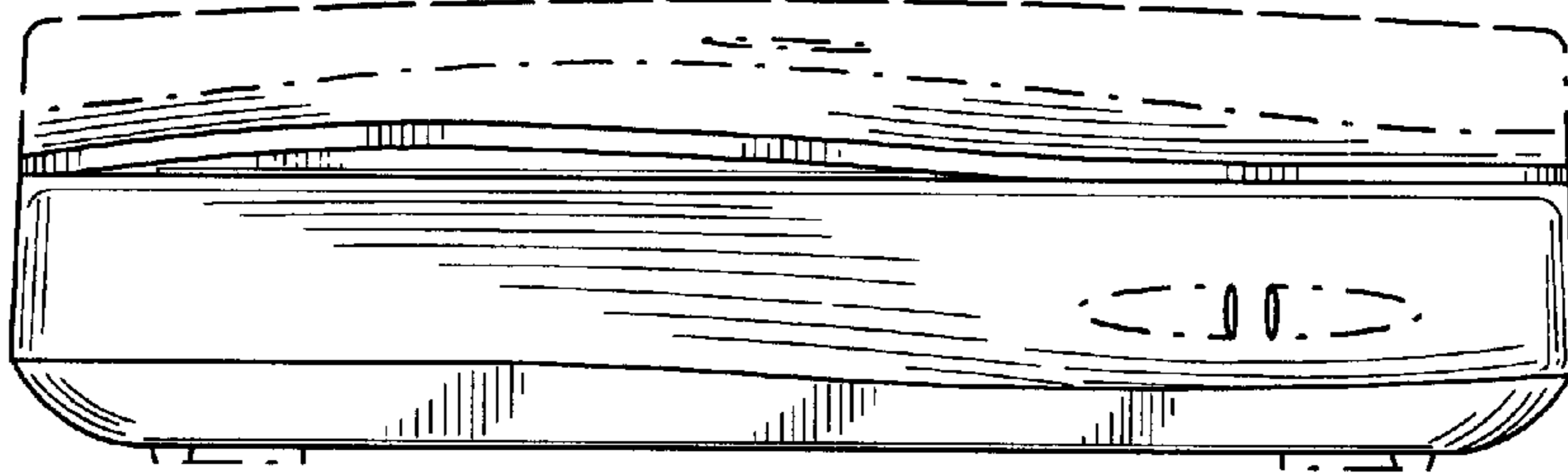


FIG. 5

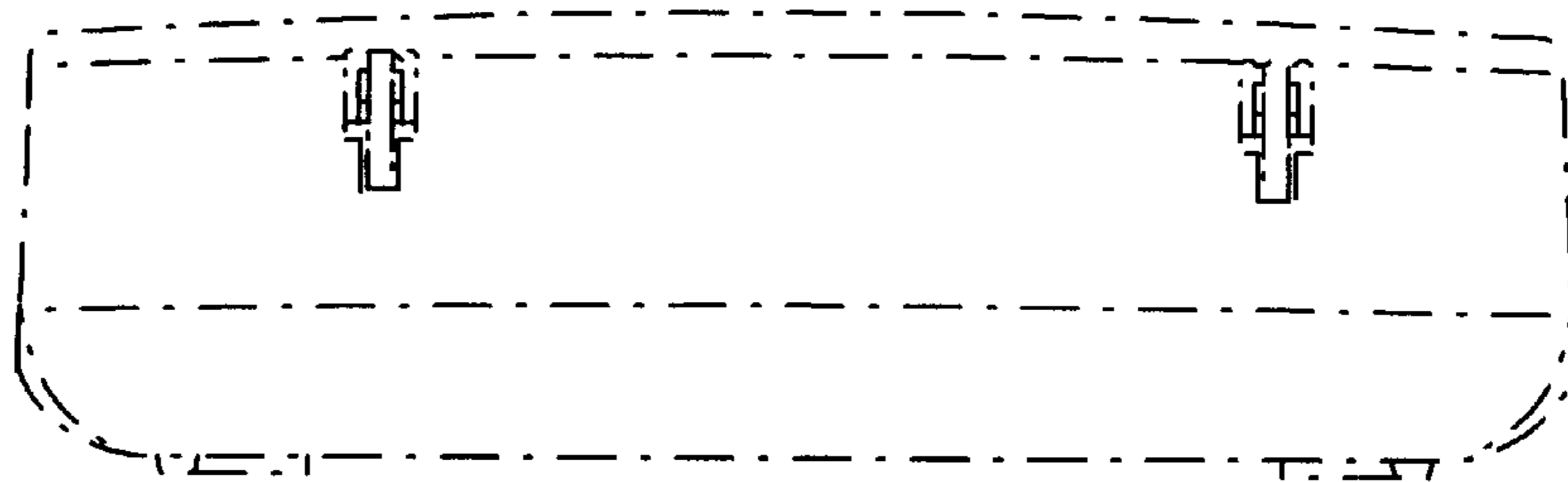


FIG. 6

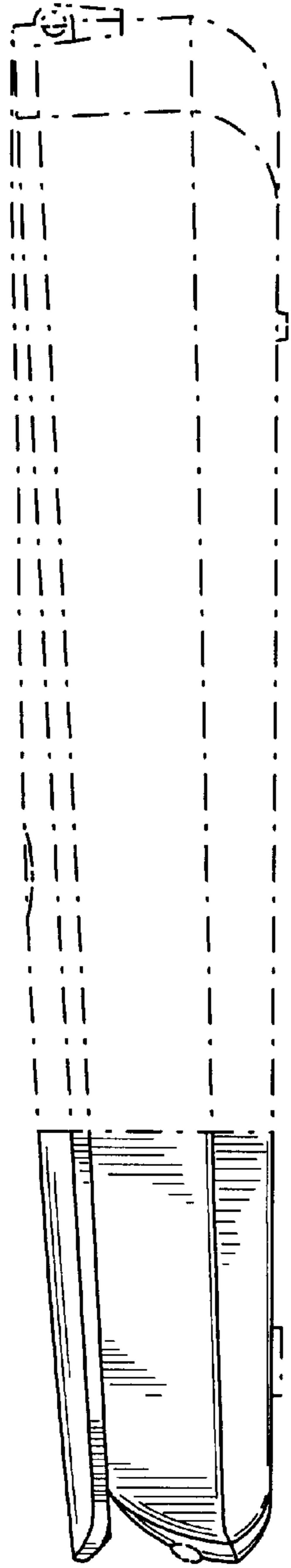


FIG. 7

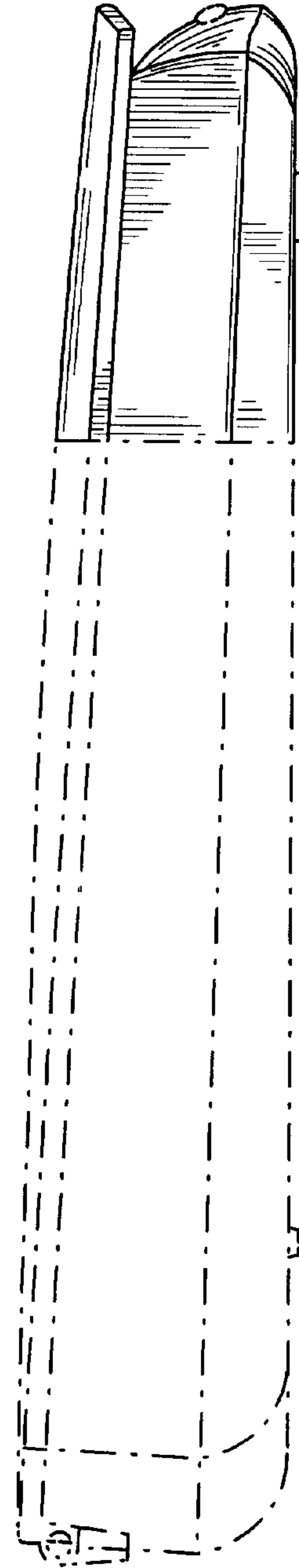


FIG. 8

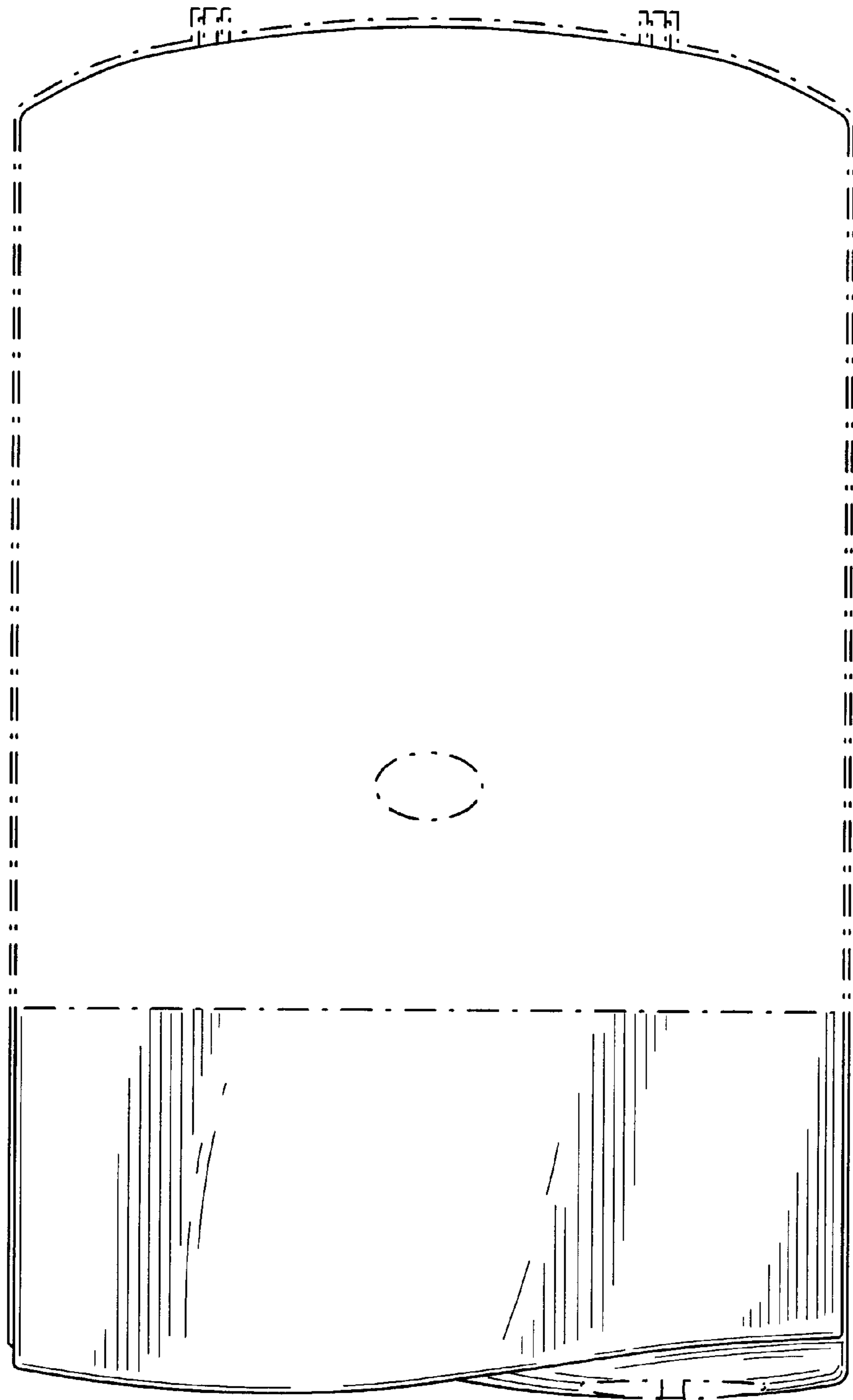


FIG. 9

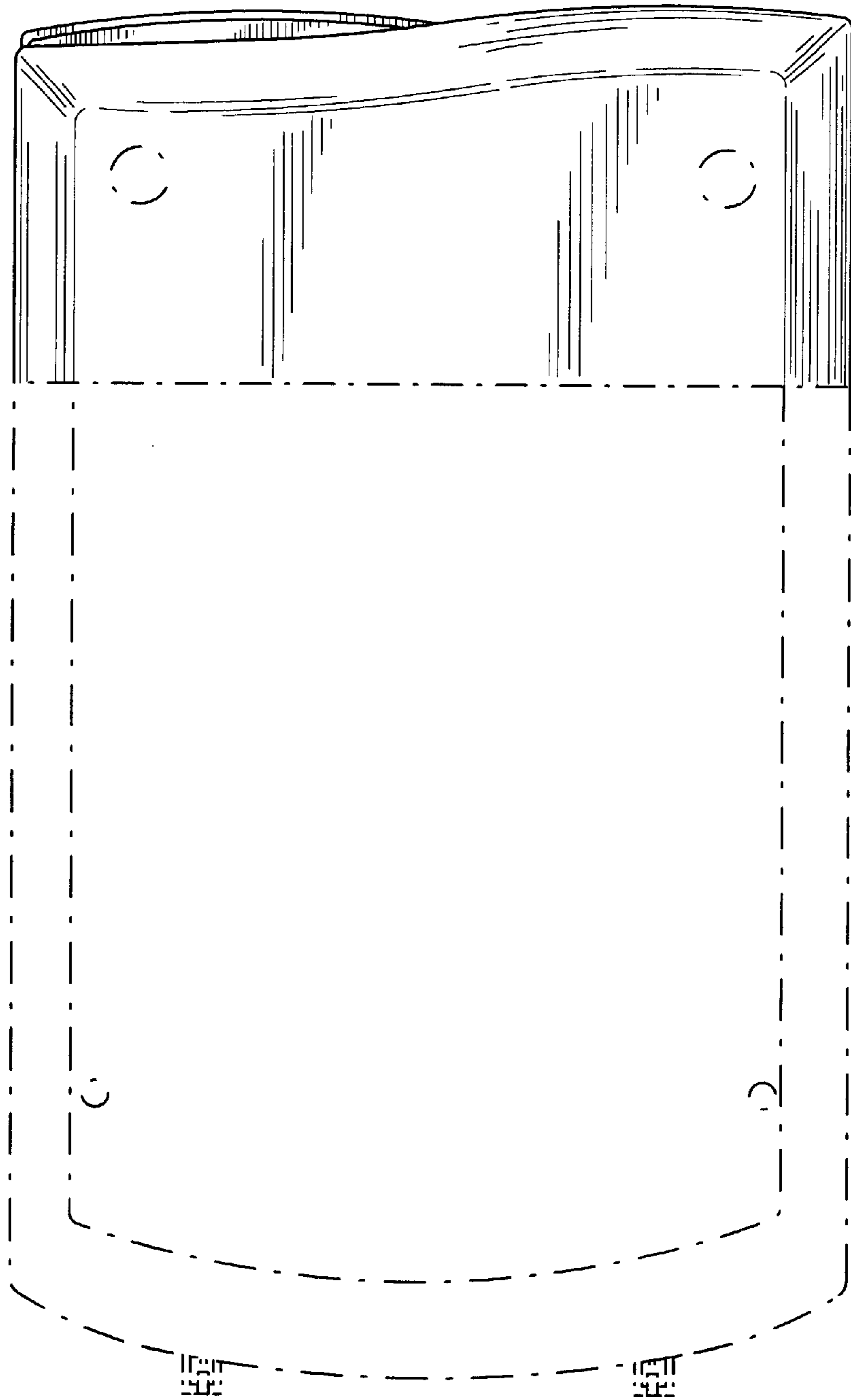


FIG. 10

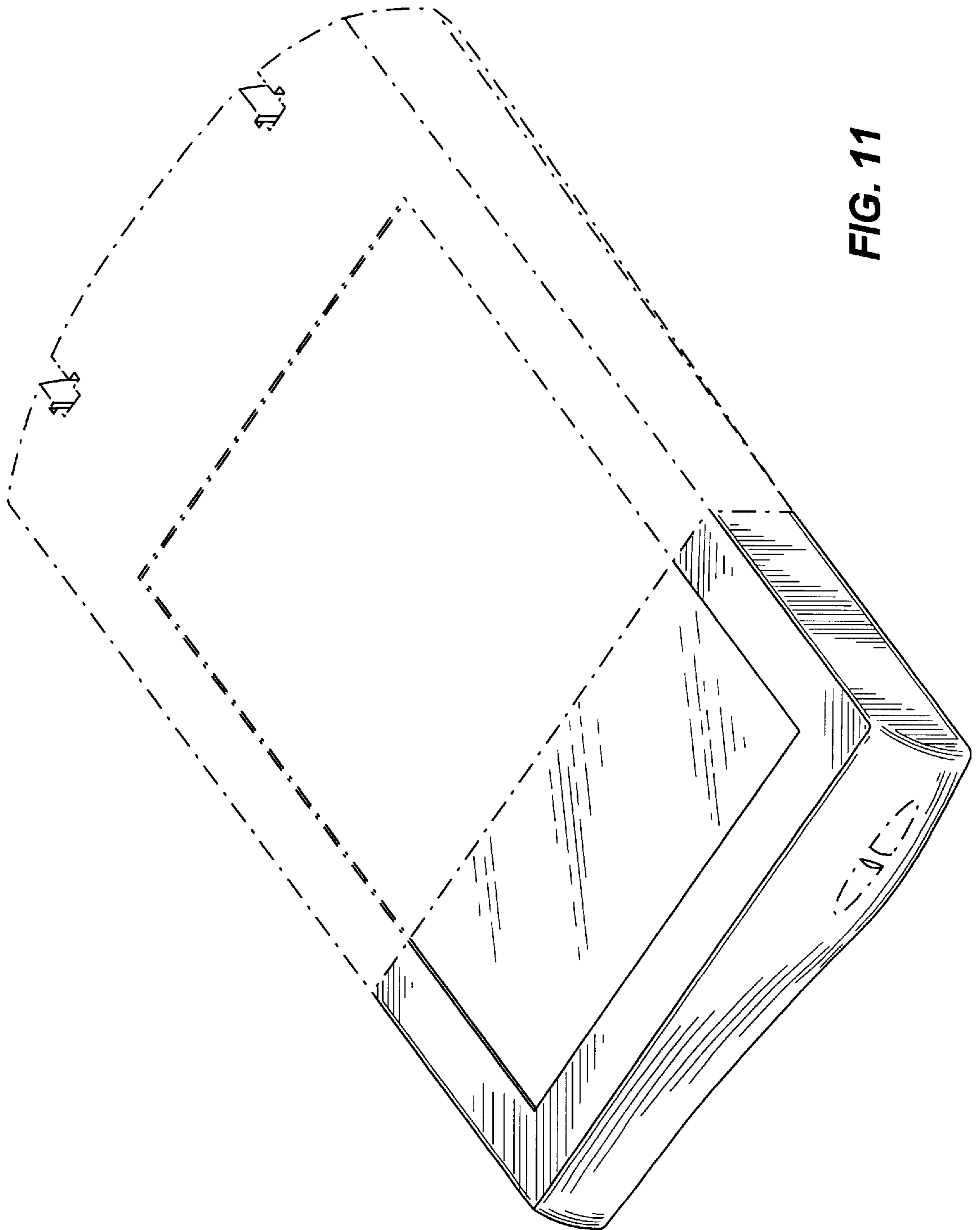


FIG. 11