



US00D461806S

(12) **United States Design Patent**
Tanaka

(10) **Patent No.:** **US D461,806 S**

(45) **Date of Patent:** **** Aug. 20, 2002**

(54) **PORTION OF ARITHMETIC OPERATION CONTROL MACHINE FOR ELECTRONIC COMPUTER**

(75) Inventor: **Keita Tanaka**, Tokyo (JP)

(73) Assignee: **Kabushiki Kaisha Toshiba**, Tokyo (JP)

(**) Term: **14 Years**

(21) Appl. No.: **29/148,050**

(22) Filed: **Sep. 14, 2001**

(30) **Foreign Application Priority Data**

Mar. 14, 2001 (JP) 2001-006628

(51) **LOC (7) Cl.** **14-02**

(52) **U.S. Cl.** **D14/356; D14/444**

(58) **Field of Search** D14/356, 444,
D14/363-365, 367; D13/162, 184, 199;
312/223.1-223.3; 360/99.01-99.12; 361/690-696;
369/34.01, 36.01

(56) **References Cited**

U.S. PATENT DOCUMENTS

D306,286 S	*	2/1990	Sawatani et al.	D14/368
D319,225 S	*	8/1991	Kline et al.	D14/368
D350,945 S	*	9/1994	Hill et al.	D14/368
D420,336 S	*	2/2000	Tanaka	D13/147 X
6,088,224 A	*	7/2000	Gallagher et al.	361/695
D438,205 S	*	2/2001	Tanaka	D14/356

OTHER PUBLICATIONS

ASACA Corporation, AHS-202M, HDTV, Short Form vol. 3, Jul. 5, 2000, (3 pages).

* cited by examiner

Primary Examiner—Freda Nunn

(74) *Attorney, Agent, or Firm*—Oblon, Spivak, McClelland, Maier & Neustadt, P.C.

(57) **CLAIM**

The ornamental design for a portion of arithmetic operation control machine for electronic computer, as shown and described.

DESCRIPTION

FIG. 1 is a front, top and right side perspective view of portion of arithmetic operation control machine for electronic computer, showing my new design;

FIG. 2 is an enlarged fragmented perspective view thereof, taken along the line II—II in FIG. 1;

FIG. 3 is a front elevational view thereof;

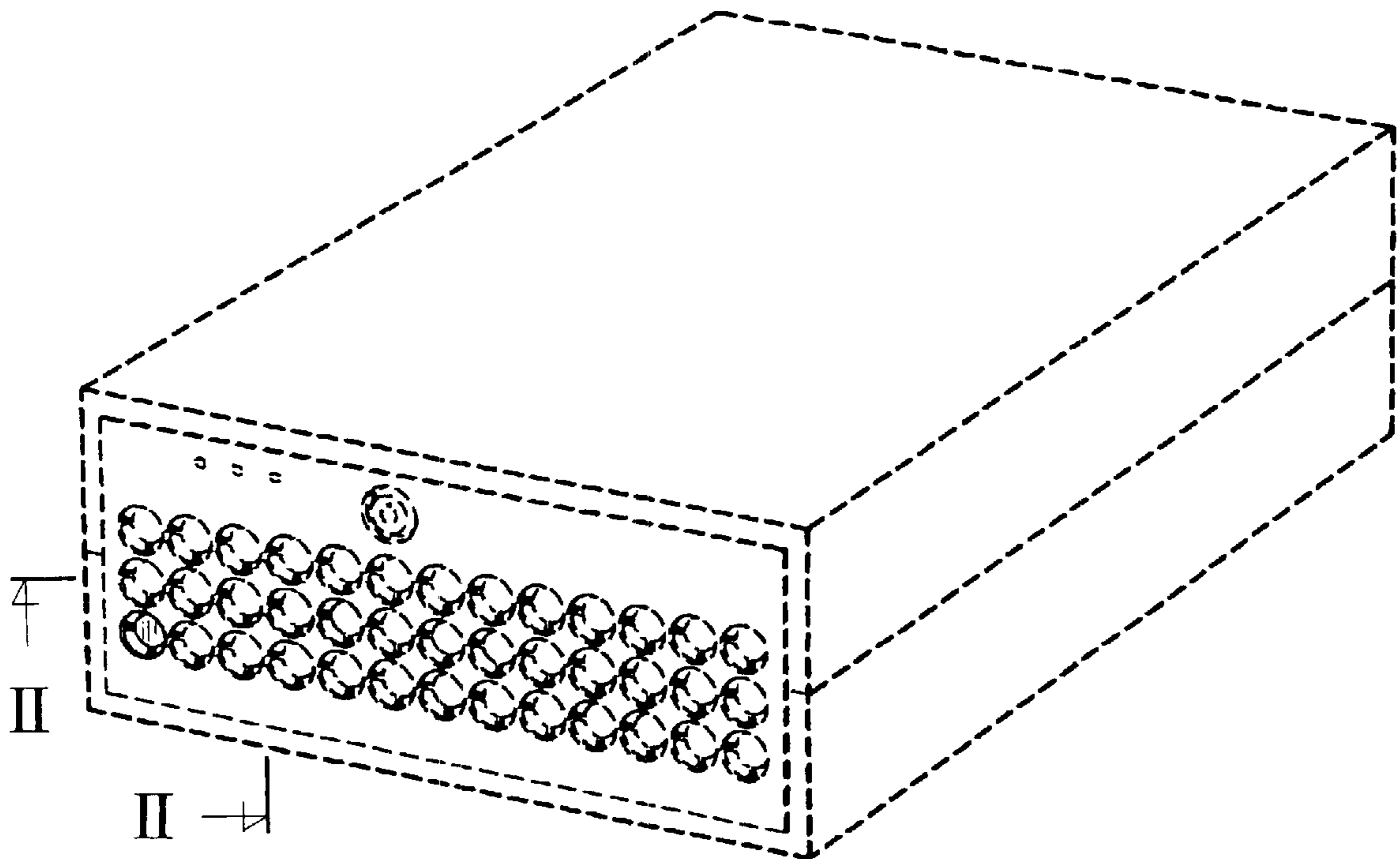
FIG. 4 is a rear elevational view thereof;

FIG. 5 is a right side elevational view thereof; the opposite side being a mirror image thereof; and,

FIG. 6 is a top plan view thereof; the opposite side being a mirror image thereof.

The broken lines are included for the purposes of illustrating environmental structure only and form no part of the claimed design.

1 Claim, 3 Drawing Sheets



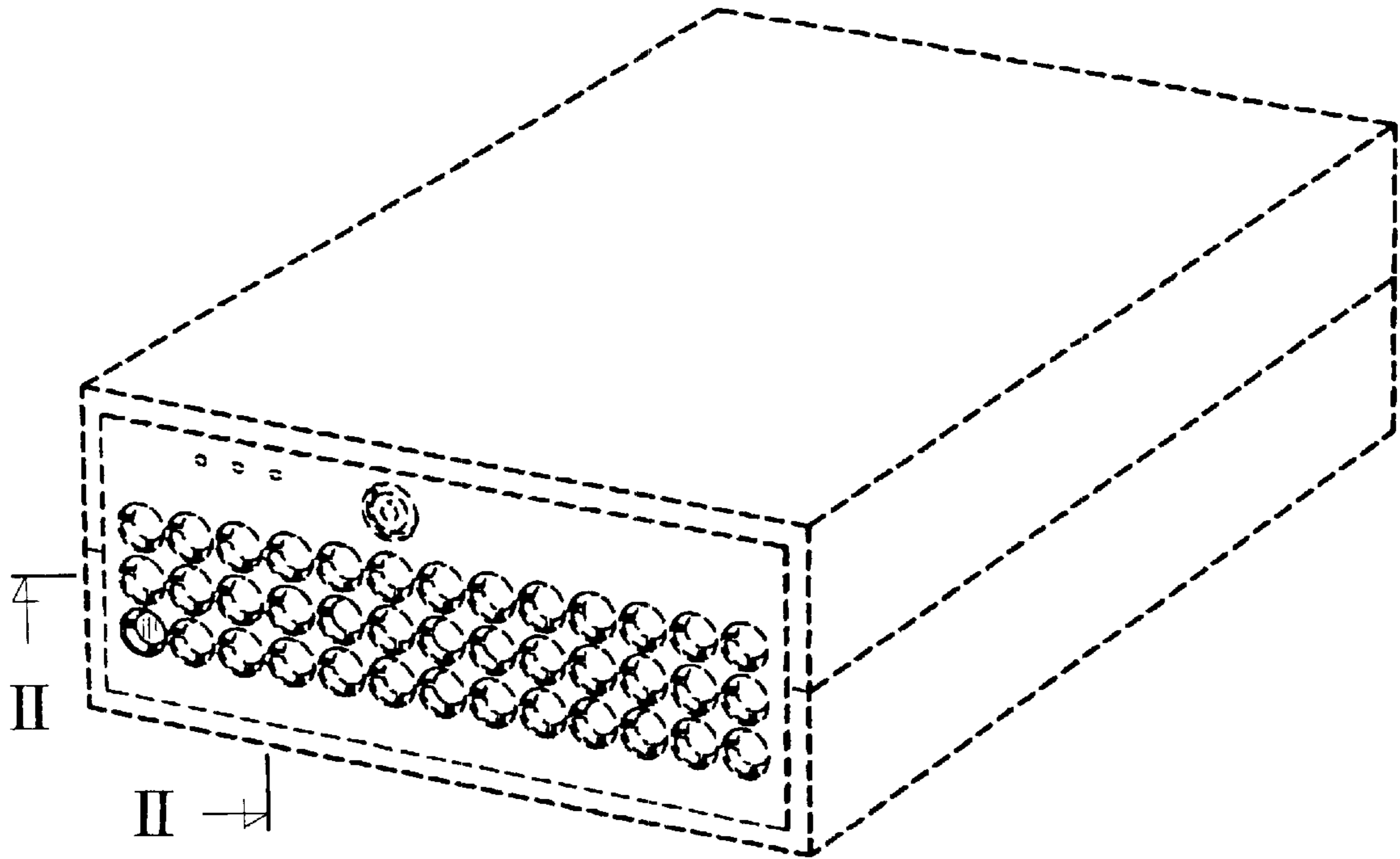


Fig. 1

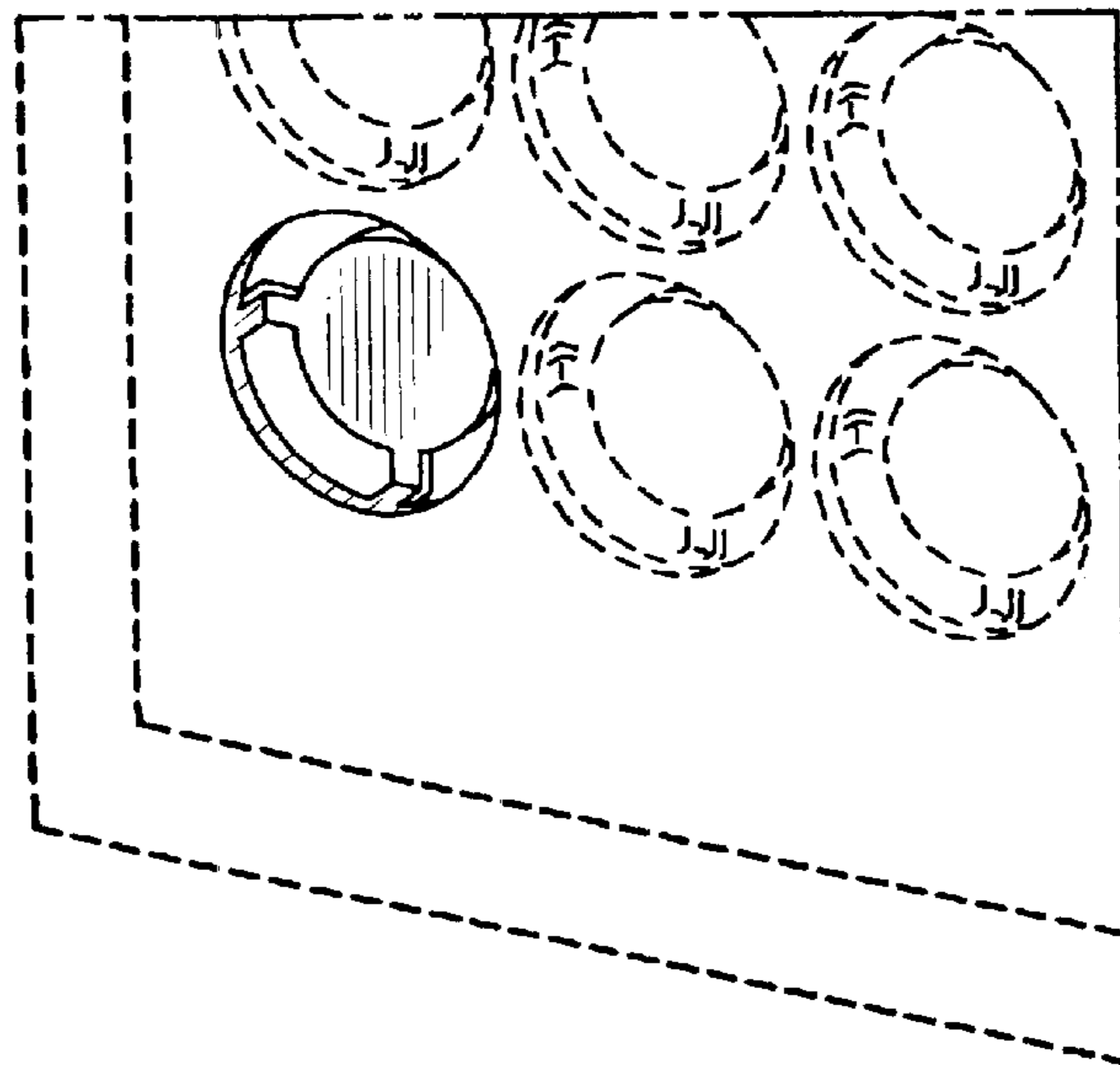


Fig. 2

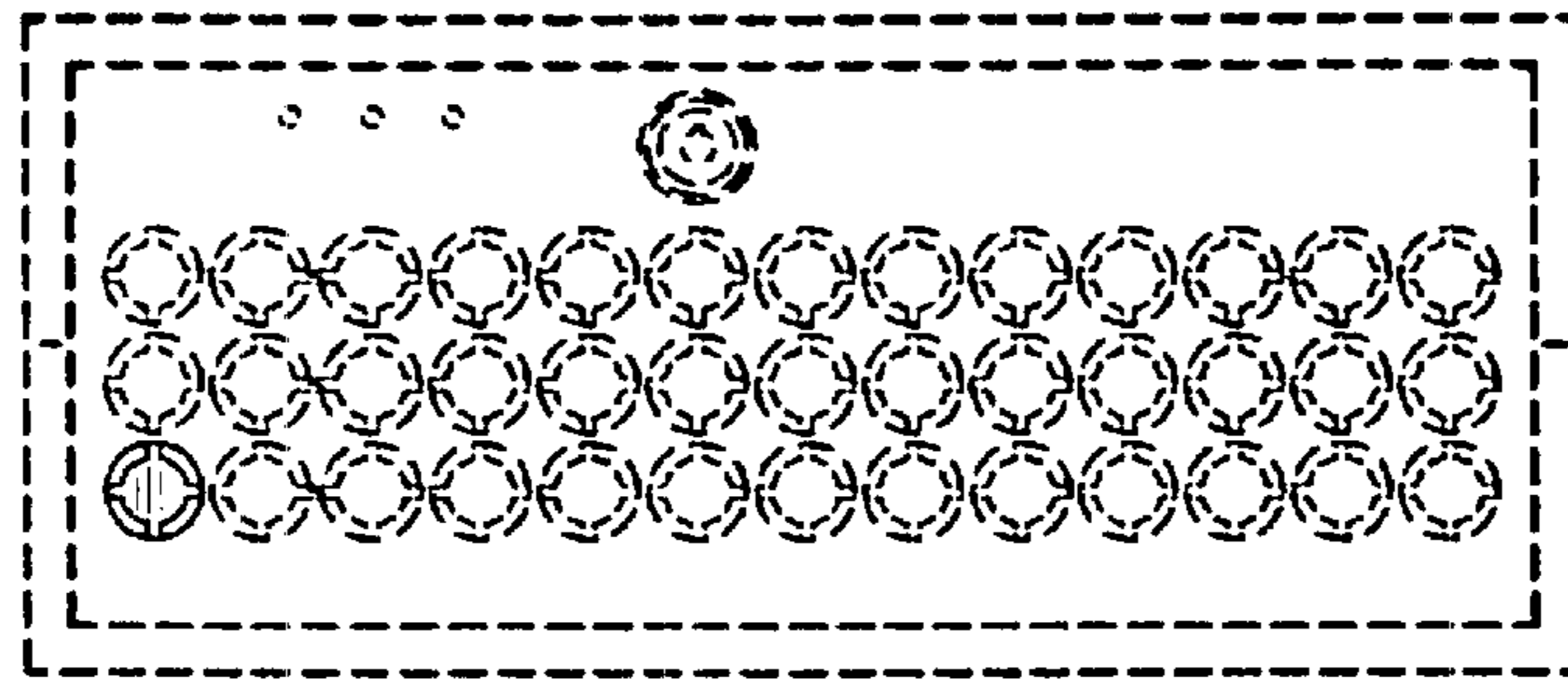


Fig.3

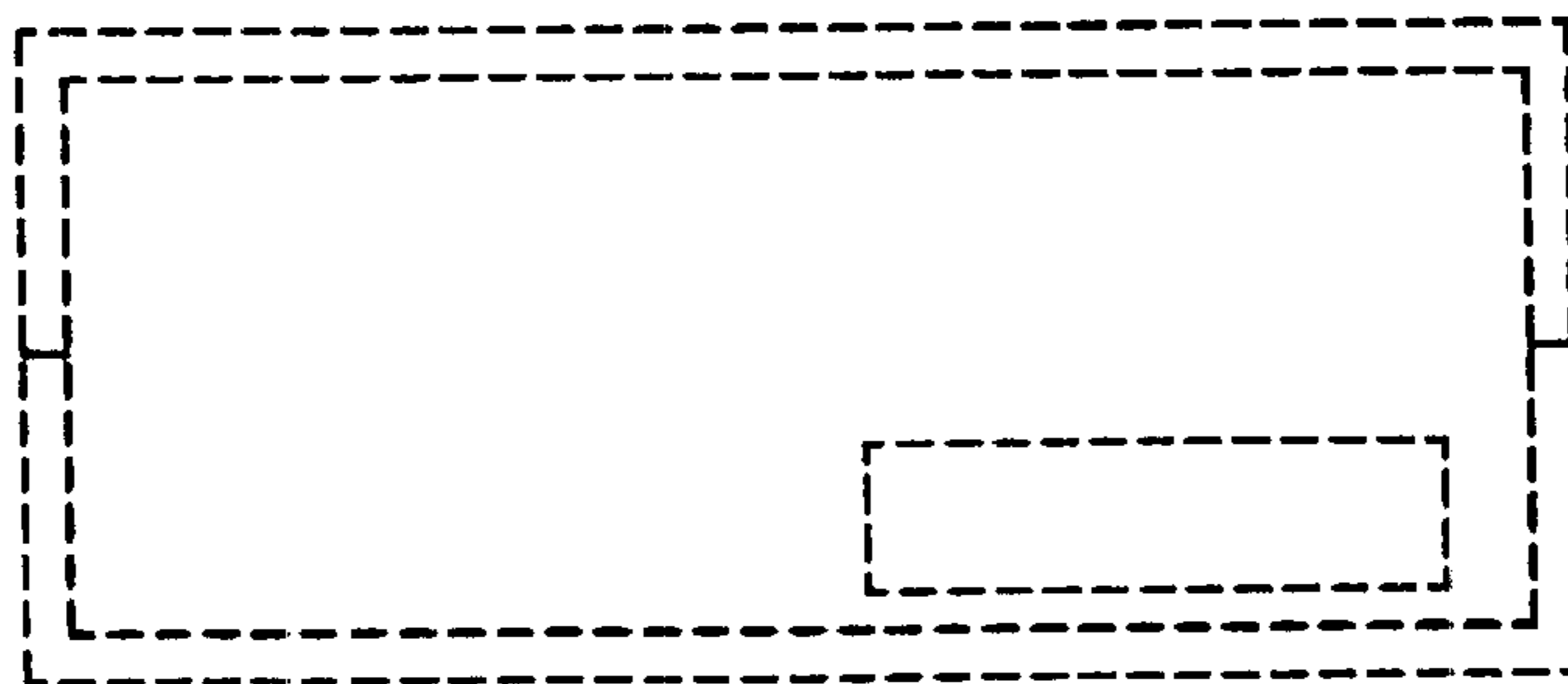


Fig.4

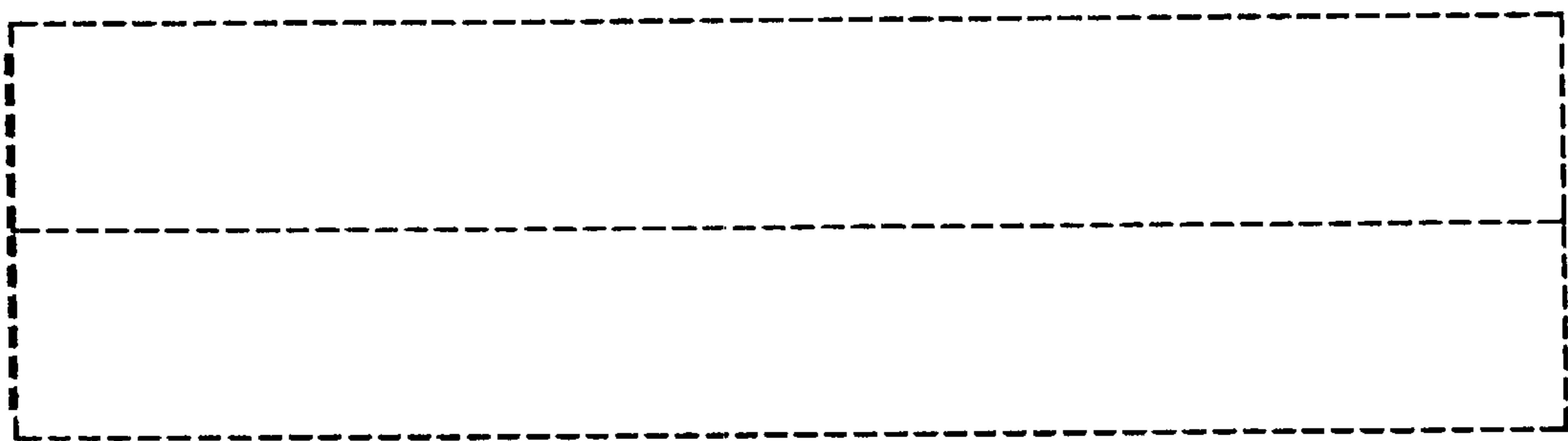


Fig.5

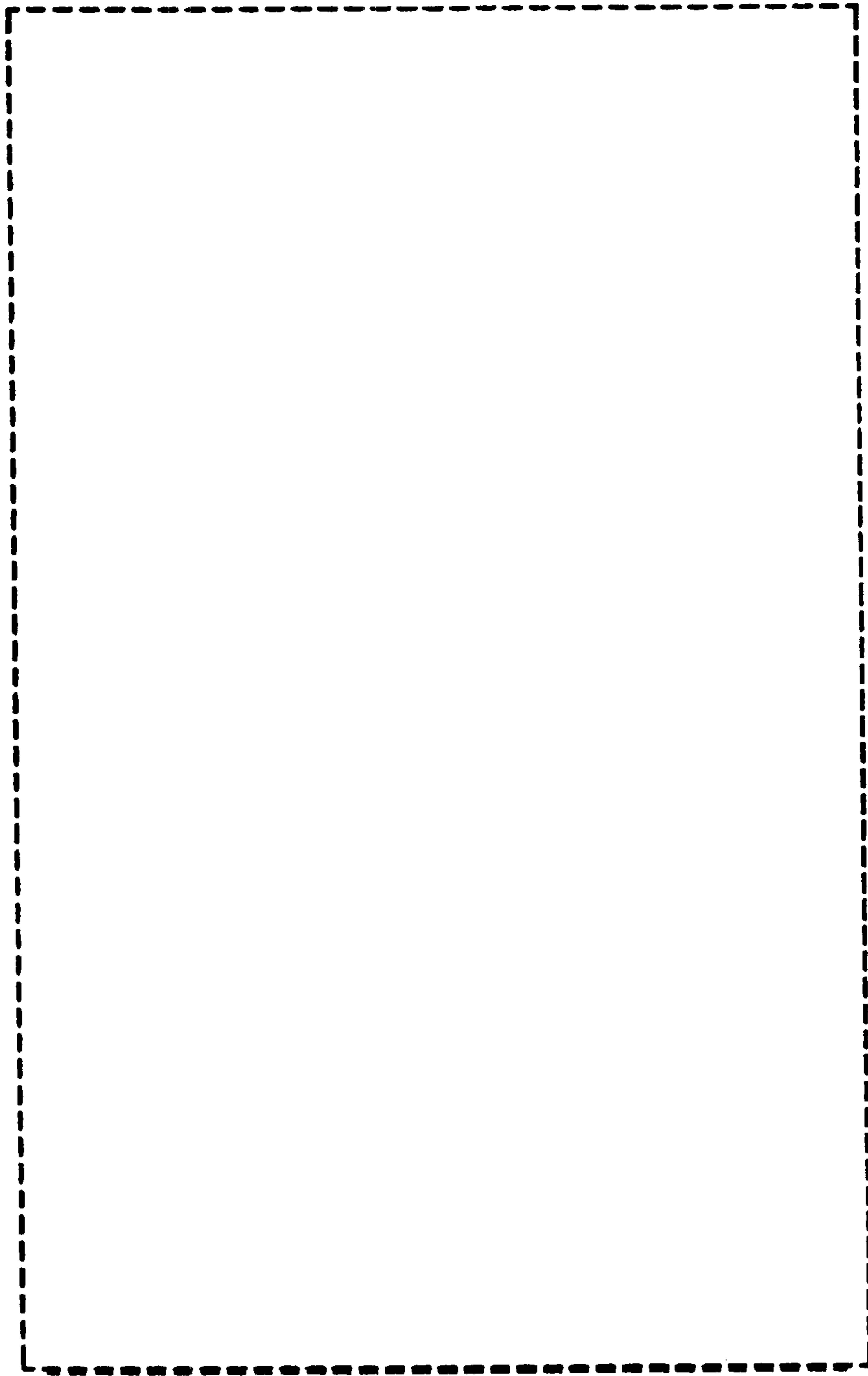


Fig. 6