



US00D461797S

(12) **United States Design Patent**
Sumer et al.

(10) **Patent No.:** **US D461,797 S**

(45) **Date of Patent:** **** Aug. 20, 2002**

(54) **HOUSING FOR TELECOMMUNICATIONS
MODULE**

(75) Inventors: **Suleyman Oguz Sumer**, Raleigh;
James Edward Bartlett, Cary; **Brian
Donald Van Voorhis**, Wake Forest, all
of NC (US)

(73) Assignee: **ADC DSL Systems, Inc.**, Eden Prairie,
MN (US)

(**) Term: **14 Years**

(21) Appl. No.: **29/149,535**

(22) Filed: **Oct. 10, 2001**

(51) **LOC (7) Cl.** **14-03**

(52) **U.S. Cl.** **D14/240**

(58) **Field of Search** D14/137, 240,
D14/138, 242, 308, 356, 357, 358, 311,
313, 441, 144, 348-355, 370, 341-347,
125, 432, 433, 155, 299, 257, 439, 140,
188, 230, 241, 243, 245; 379/433.01-433.13,
419, 434, 428.01-428.04, 420.01-420.04,
440, 441, 442; 455/550-575, 90; D13/184,
123, 152, 147, 110

(56) **References Cited**

U.S. PATENT DOCUMENTS

4,725,241 A	2/1988	Bertini et al.	
D300,426 S	* 3/1989	Lotz	D14/240
4,874,333 A	10/1989	Reed	
5,037,320 A	8/1991	Stolte	
D355,196 S	* 2/1995	Nakamura	D14/240
D362,003 S	* 9/1995	Claudio	D14/240
D384,065 S	* 9/1997	Bice et al.	D14/149
5,667,402 A	9/1997	Denovich et al.	
D392,645 S	* 3/1998	Wakabayashi	D14/240
D393,463 S	* 4/1998	Beaumont et al.	D14/149
D395,048 S	* 6/1998	Kobayashi	D14/240
D395,897 S	* 7/1998	Honma et al.	D14/240
D408,823 S	* 4/1999	Kirby	D14/240

5,901,220 A	5/1999	Garver et al.	
D414,774 S	* 10/1999	Gauffin	D14/240
D417,223 S	* 11/1999	Groves et al.	D14/242
5,989,074 A	11/1999	Miller et al.	
D418,812 S	* 1/2000	Imamura	D13/123
D422,265 S	* 4/2000	Noble et al.	D13/152
D422,967 S	* 4/2000	Ishida	D13/147
D424,518 S	* 5/2000	Chin-Kuan et al.	D13/123
D424,528 S	* 5/2000	Dernehl	D13/184
6,078,661 A	6/2000	Arnett et al.	
6,099,333 A	8/2000	Daoud et al.	
6,115,467 A	* 9/2000	Daoud	379/399
D431,532 S	* 10/2000	Noble et al.	D13/152
6,152,760 A	11/2000	Reeser	
6,246,749 B1	6/2001	Garver et al.	
D448,353 S	* 9/2001	Chang	D14/125
D452,487 S	* 12/2001	Kaplan	D13/184
6,328,612 B1	* 12/2001	Chung	439/717

OTHER PUBLICATIONS

AMP Application Specification 114-6062, Rev. O, Aug. 1,
1996, Pivot Connectors, pp. 1-10.

* cited by examiner

Primary Examiner—Jeffrey Asch

(74) *Attorney, Agent, or Firm*—Fogg Slifer Polglaze Leffert
& Jay, PA

(57) **CLAIM**

The ornamental design for a housing for telecommunica-
tions module, as shown and described.

DESCRIPTION

FIG. 1 is a front perspective view of a housing incorporating
a design according to the invention.

FIG. 2 is a front view of the housing of FIG. 1.

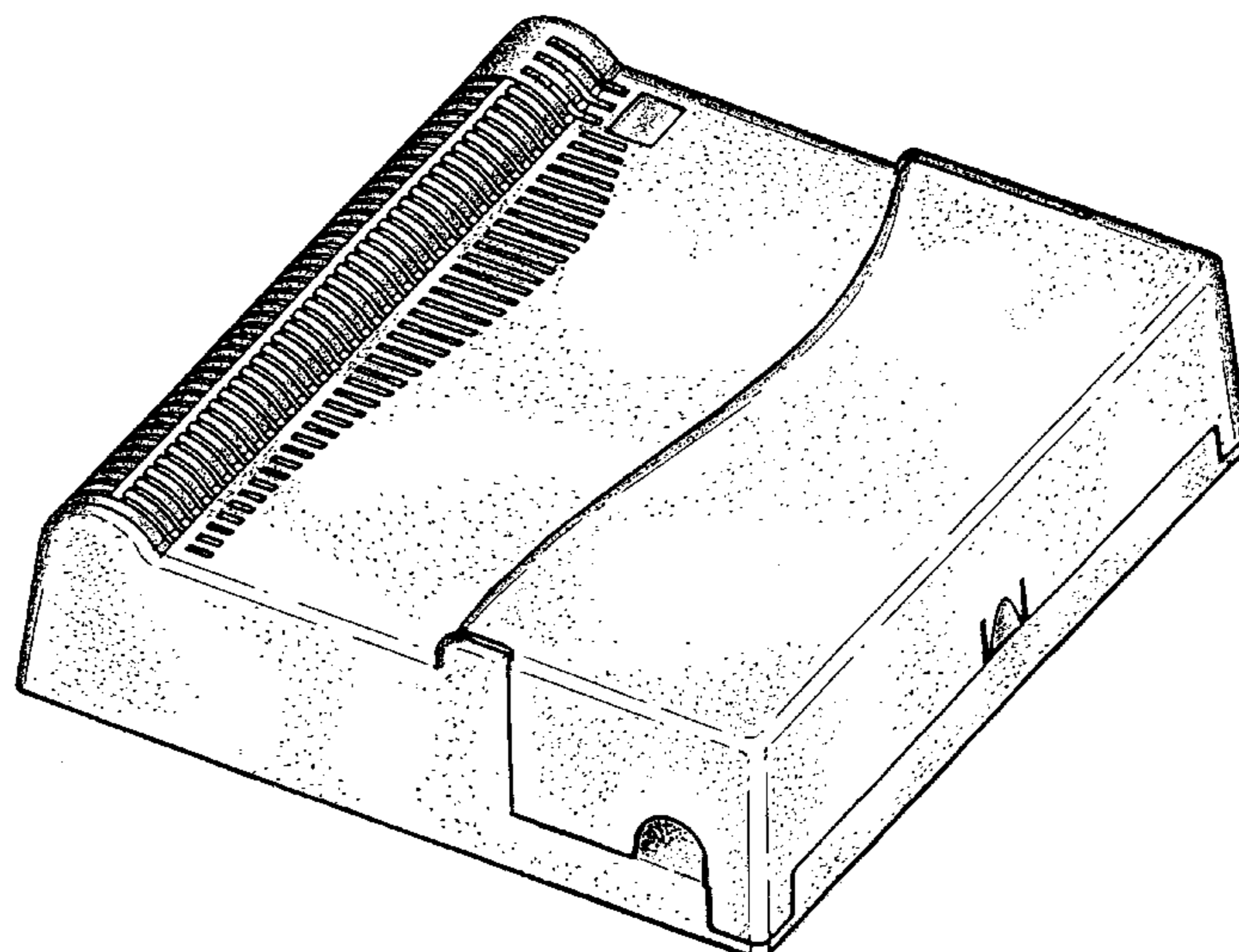
FIG. 3 is a left side view of the housing of FIG. 1.

FIG. 4 is a right side view of the housing of FIG. 1.

FIG. 5 is a top view of the housing of FIG. 1; and,

FIG. 6 is a bottom view of the housing of FIG. 1.

1 Claim, 3 Drawing Sheets



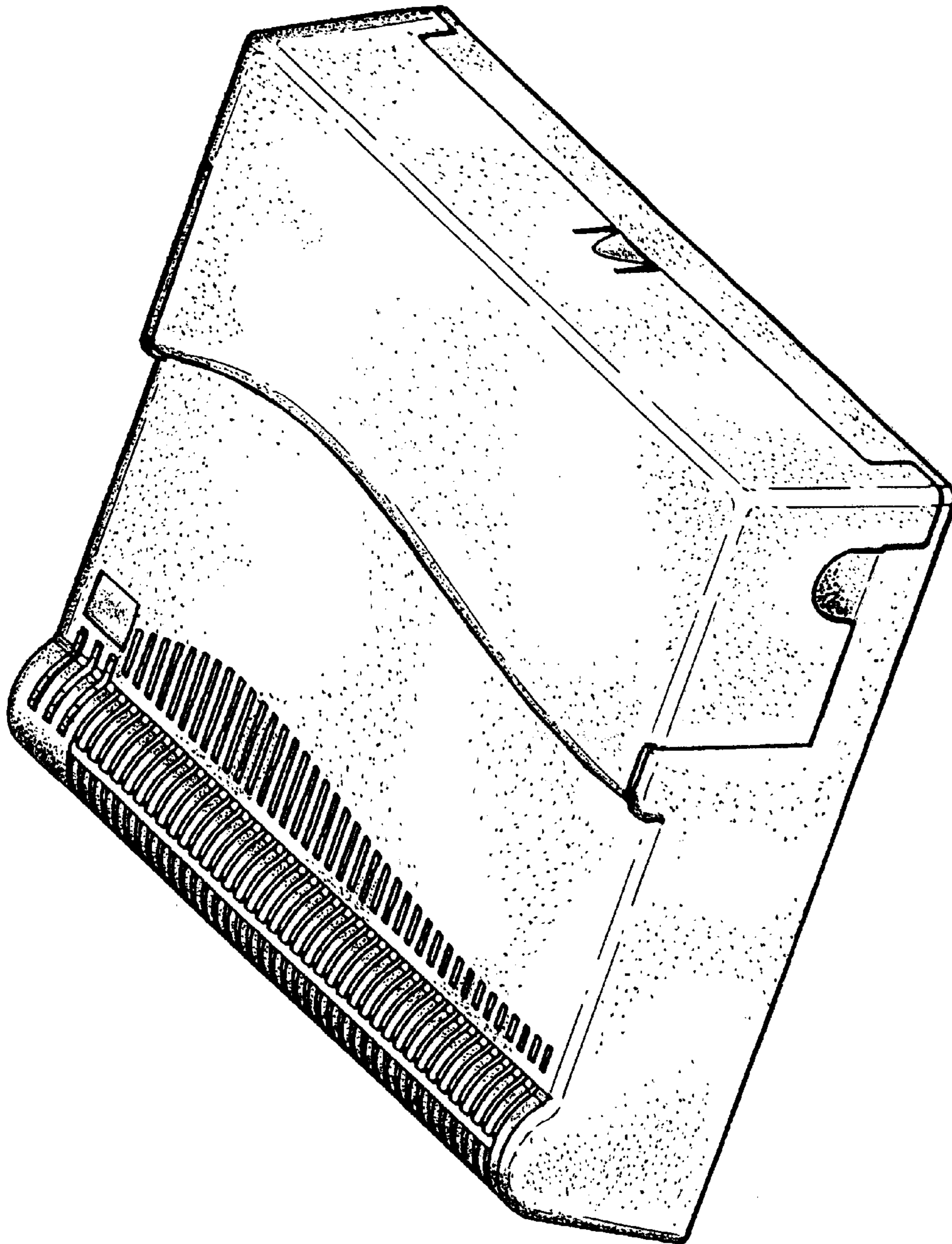


FIG. 1

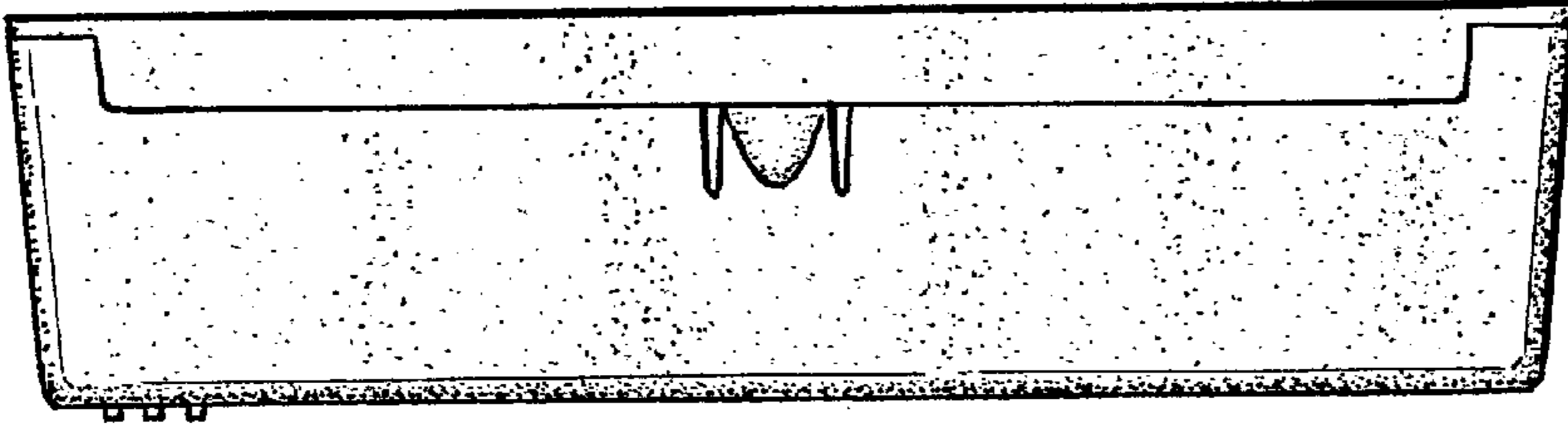


FIG. 4

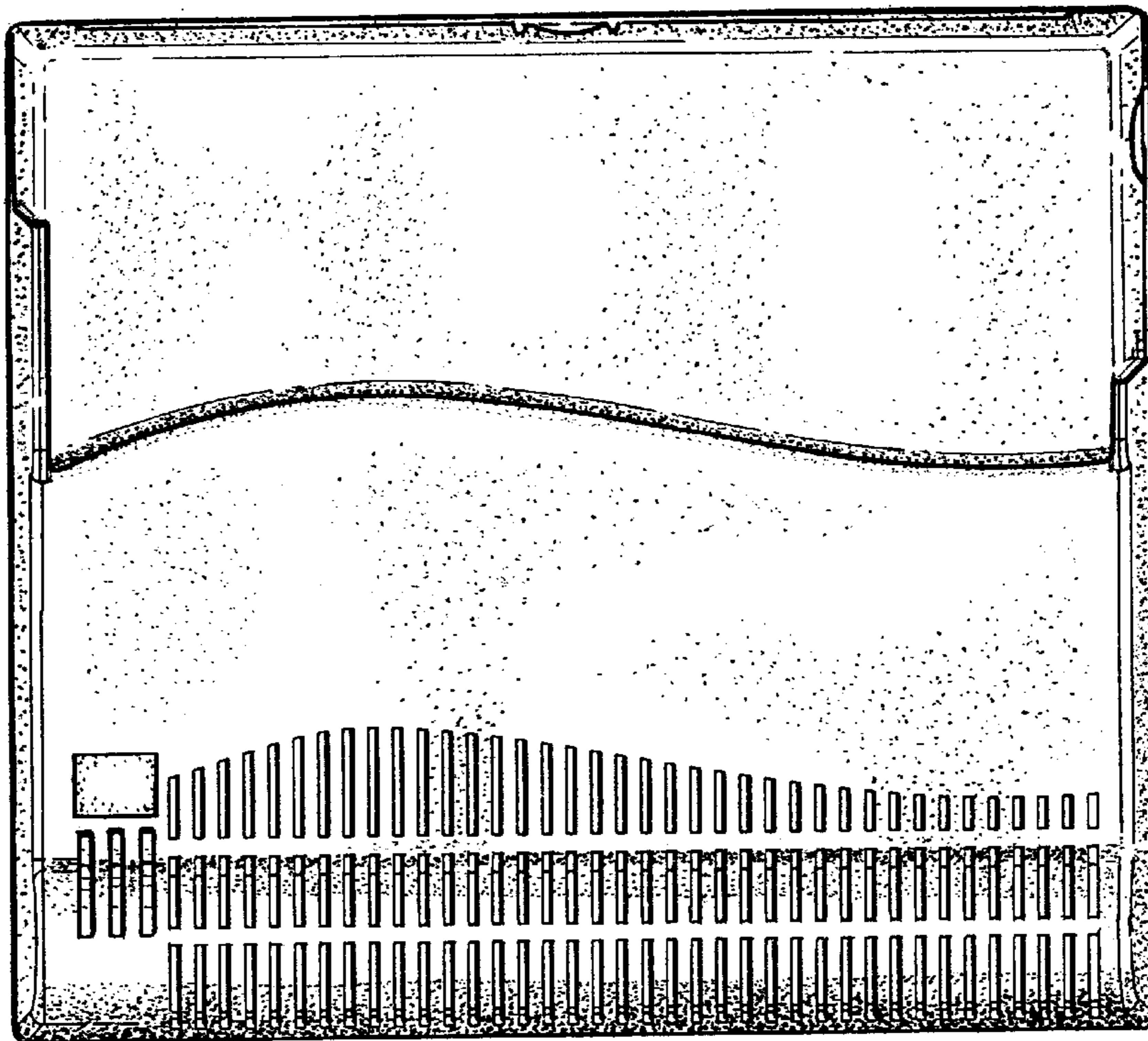


FIG. 2

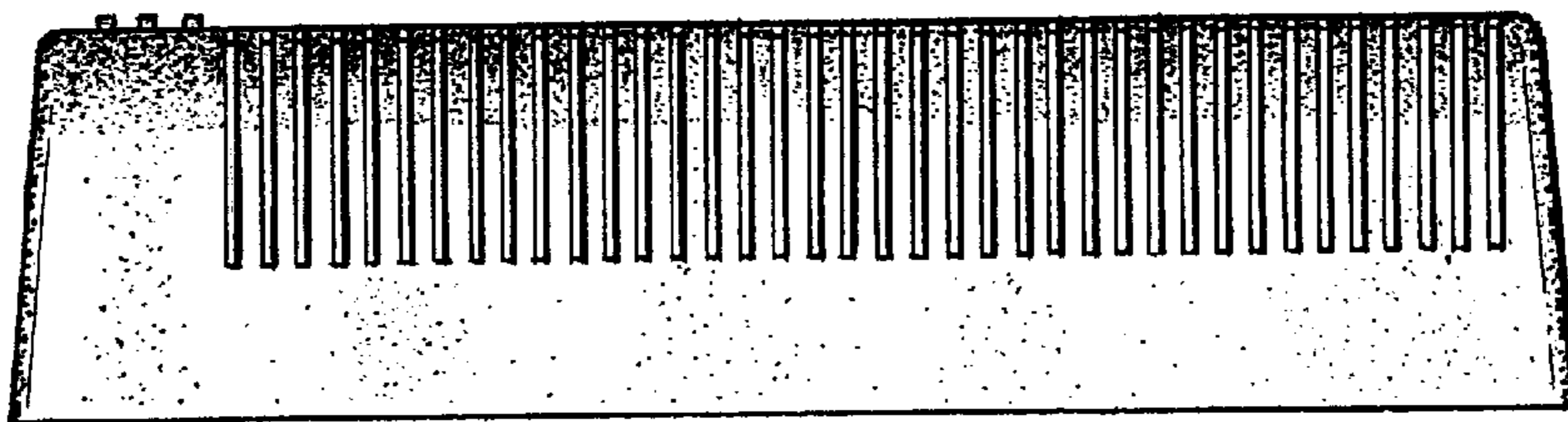


FIG. 3

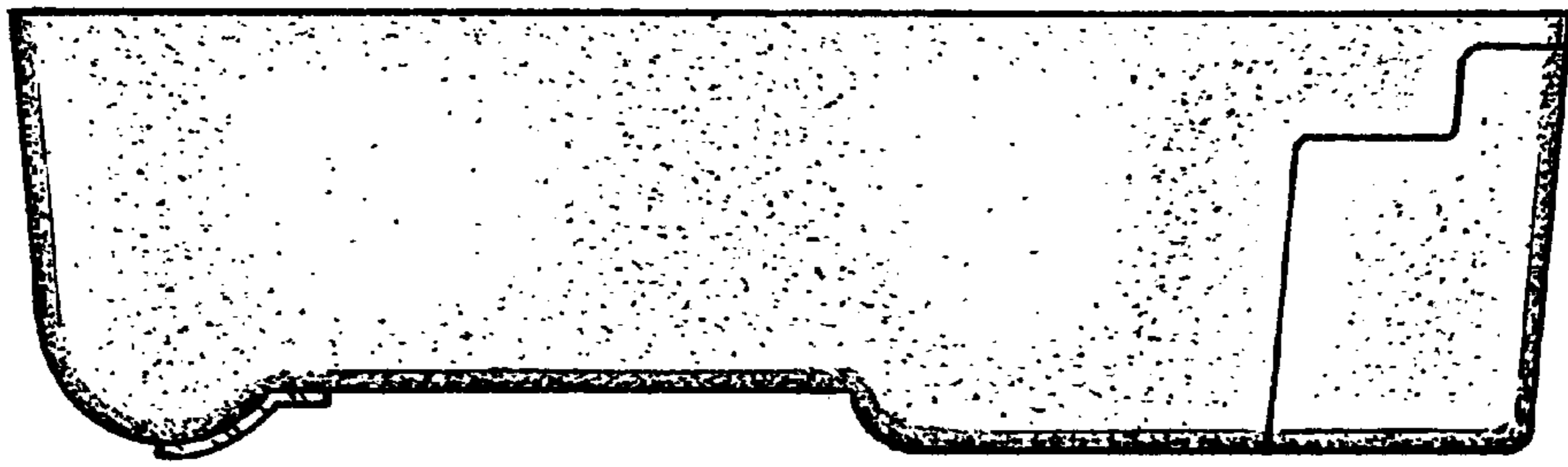


FIG. 5

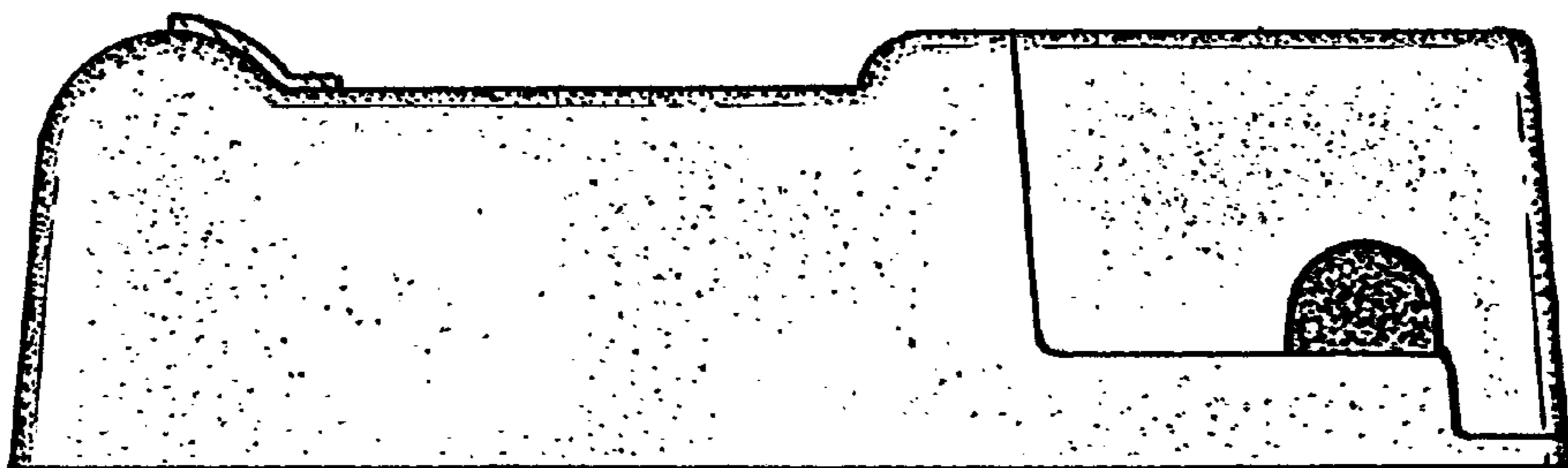


FIG. 6