



US00D461795S

(12) **United States Design Patent**
Mayette et al.

(10) **Patent No.:** **US D461,795 S**

(45) **Date of Patent:** **** Aug. 20, 2002**

(54) **SPEAKER STAND**

(75) Inventors: **Donald Mayette**, Vancouver, WA (US); **Dominic Amae**, Aloha; **Kevin Hlas**, Portland, both of OR (US); **Raymond Weikel**, Camas, WA (US); **Bradley Helm**, Tualatin, OR (US); **Alan Smith**, Camas, WA (US); **Scott Tomlinson**, Portland, OR (US); **Omer Kotzer**, Portland, OR (US); **Jamian Cobbett**, Portland, OR (US)

(73) Assignee: **Logitech Europe S.A.**, Romanel-sur-Morges (CH)

(**) Term: **14 Years**

(21) Appl. No.: **29/149,442**

(22) Filed: **Oct. 9, 2001**

(51) **LOC (7) Cl.** **14-01**

(52) **U.S. Cl.** **D14/224**

(58) **Field of Search** D6/474, 778; D8/349, D8/373, 382; D14/204, 207, 209-217, 224, 451; 181/144-145, 147-148, 150, 153, 157, 198-199; 248/292.13, 346.01, 372.1, 608, 923; 381/300-302, 306, 361-364, 386-388

(56) **References Cited**

U.S. PATENT DOCUMENTS

D229,618 S	*	12/1973	Teruachi et al.	D14/211
4,238,101 A	*	12/1980	Kaye	248/346.01
D277,569 S	*	2/1985	Georgopoulos	D6/419
D281,317 S	*	11/1985	Whitaker	D8/373
D289,116 S	*	4/1987	Kando	D14/224
4,944,481 A	*	7/1990	Yurchenco et al.	248/923
D317,760 S	*	6/1991	Esslinger	D14/451

D390,209 S	*	2/1998	Dials et al.	D14/451
D399,210 S	*	10/1998	Rozier et al.	D14/224

* cited by examiner

Primary Examiner—Nanda Bondade
(74) *Attorney, Agent, or Firm*—Ipsolon LLP

(57) **CLAIM**

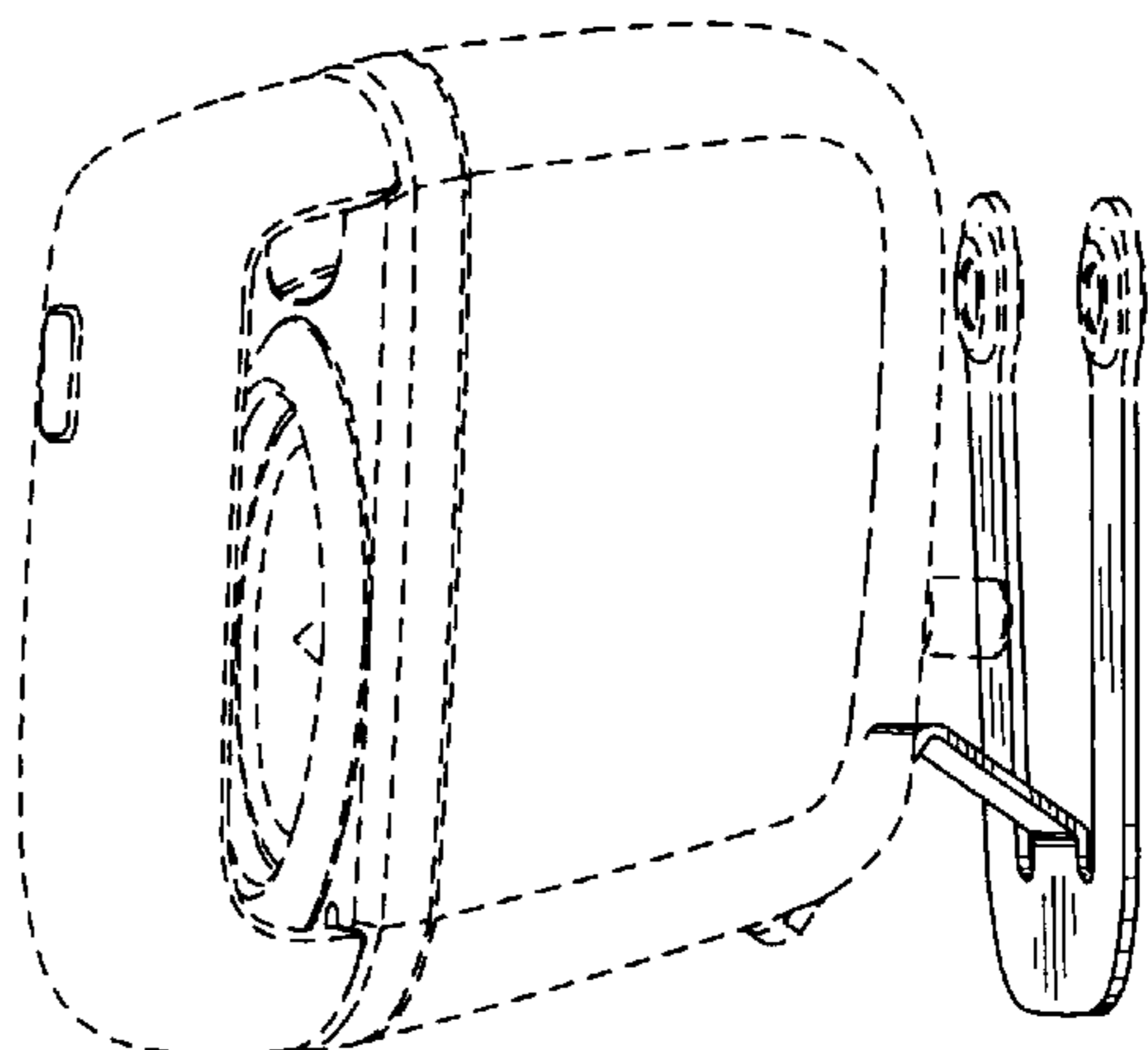
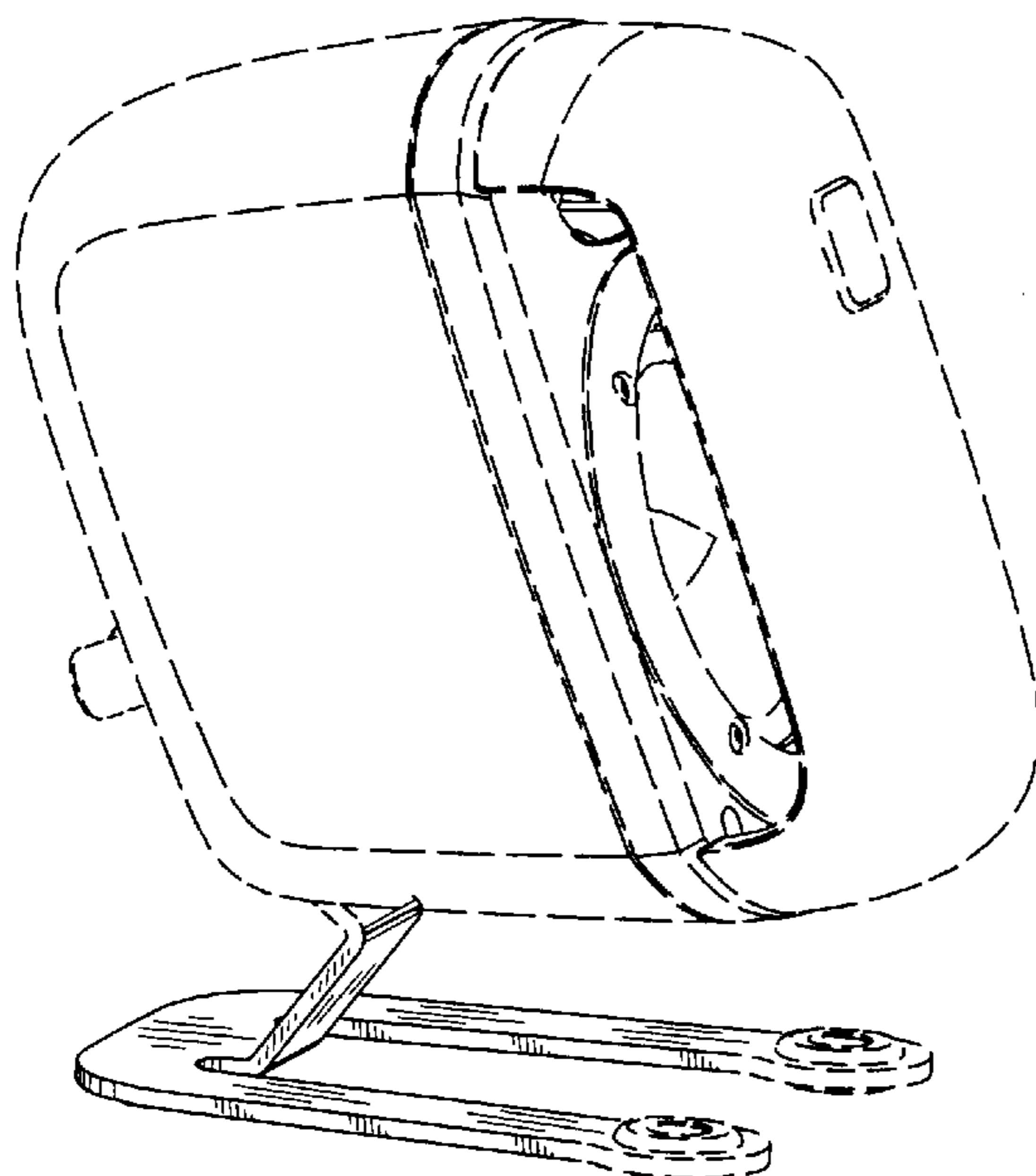
The ornamental design for a speaker stand, as shown and described.

DESCRIPTION

FIG. 1 is a front left perspective view of a speaker stand showing our new design;
 FIG. 2 is a front top perspective view thereof;
 FIG. 3 is a front right perspective view thereof;
 FIG. 4 is a back left perspective view thereof;
 FIG. 5 is a front elevation view thereof;
 FIG. 6 is a top plan view thereof;
 FIG. 7 is a right side elevational view thereof, the left side elevational view being a mirror image;
 FIG. 8 is a back elevation view thereof;
 FIG. 9 is a bottom plan view thereof;
 FIG. 10 is a top, front, right perspective view of the speaker stand of FIG. 1 showing an alternative possible orientation of the speaker stand with respect to a speaker.
 FIG. 11 is a side right perspective view of the speaker stand of FIG. 10.
 FIG. 12 is a rear perspective view of the speaker stand of FIG. 10; and,
 FIG. 13 is a front, right perspective view of the speaker stand of FIG. 10.

The broken lines showing the speaker and feet in FIGS. 1-13, control knobs and stand mounting portion in FIGS. 1, 4, and 7-9 are for illustrative purpose only and form no part of the claimed design.

1 Claim, 3 Drawing Sheets



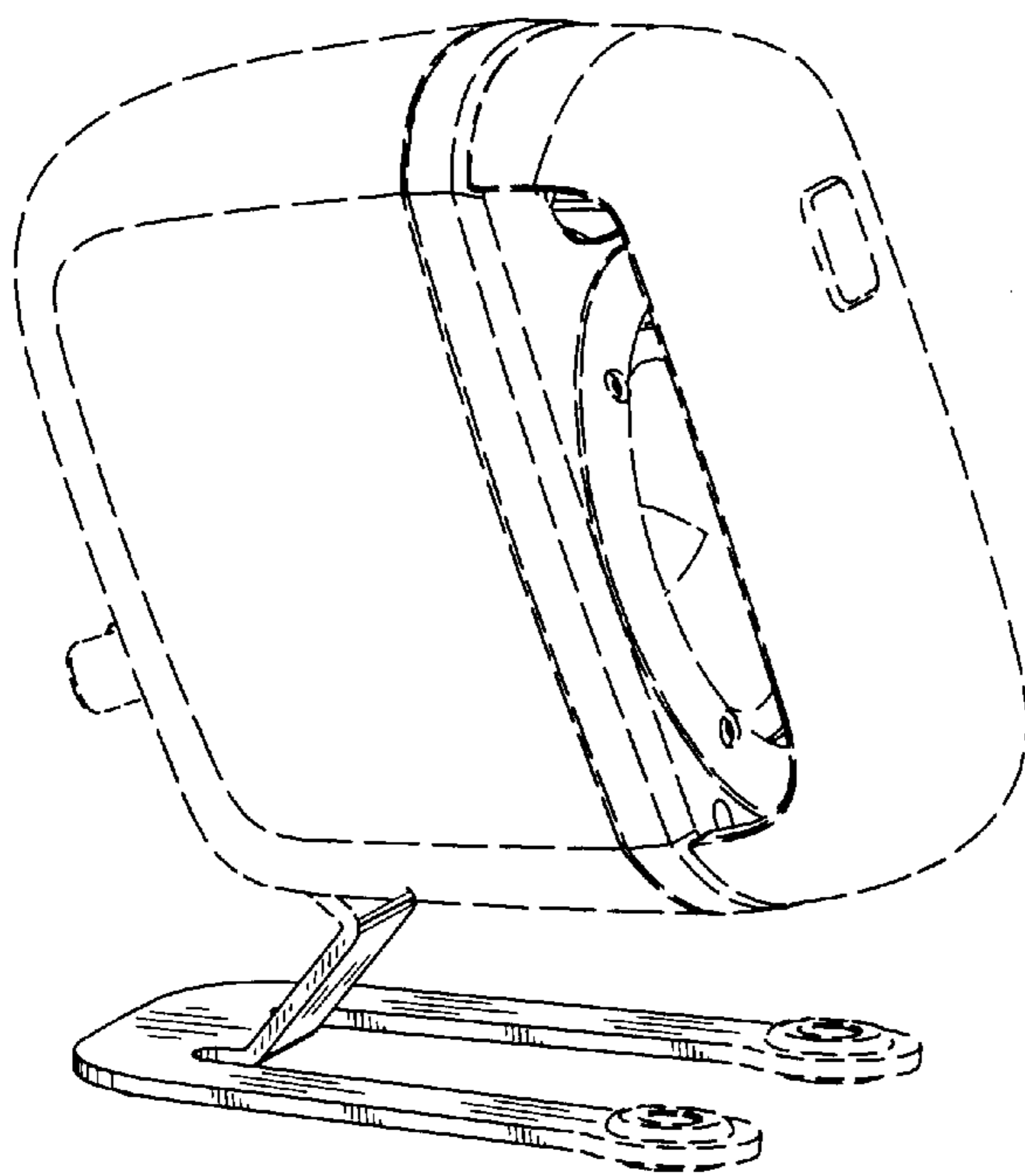


FIG. 1

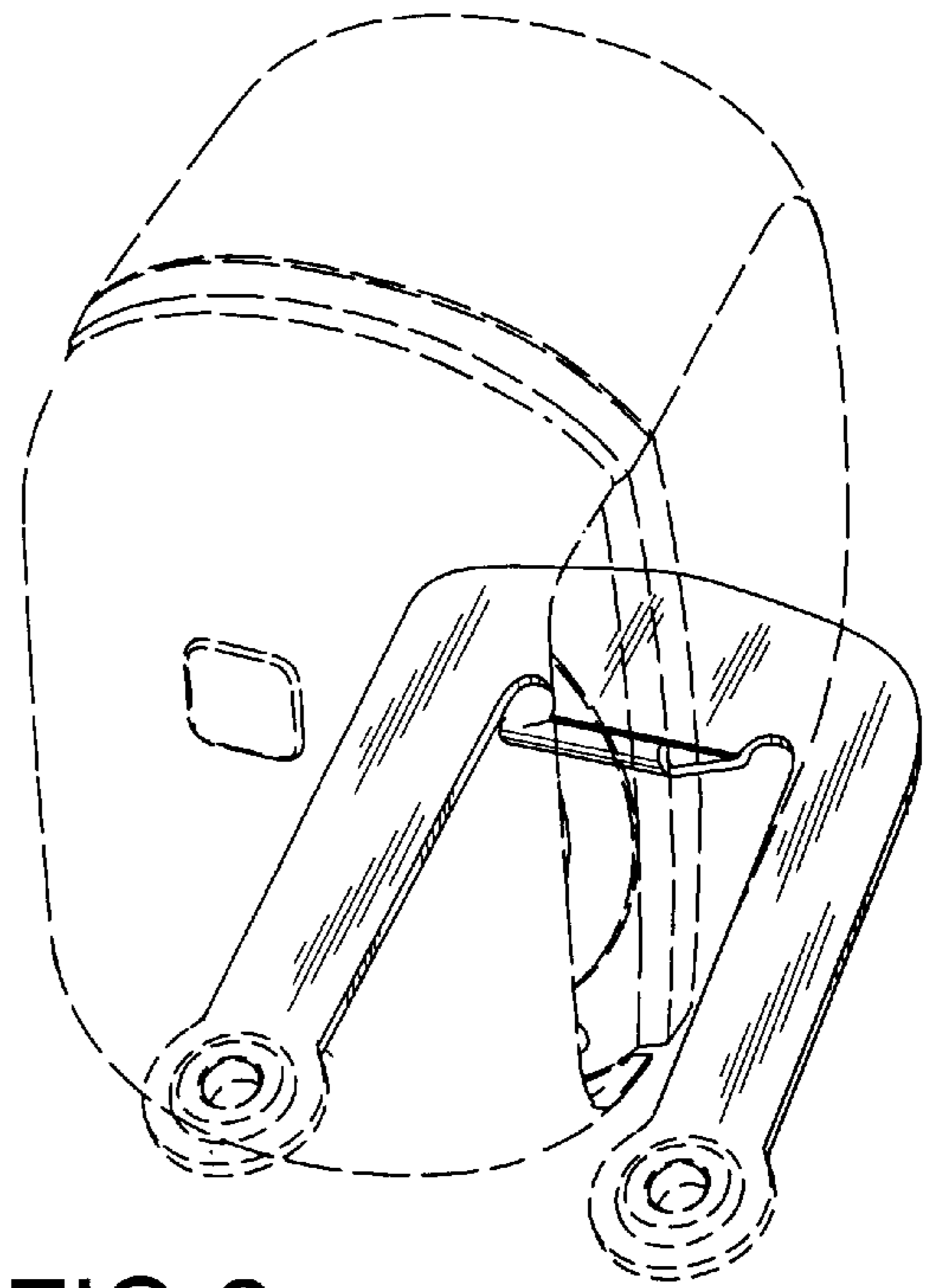


FIG. 2

FIG. 3

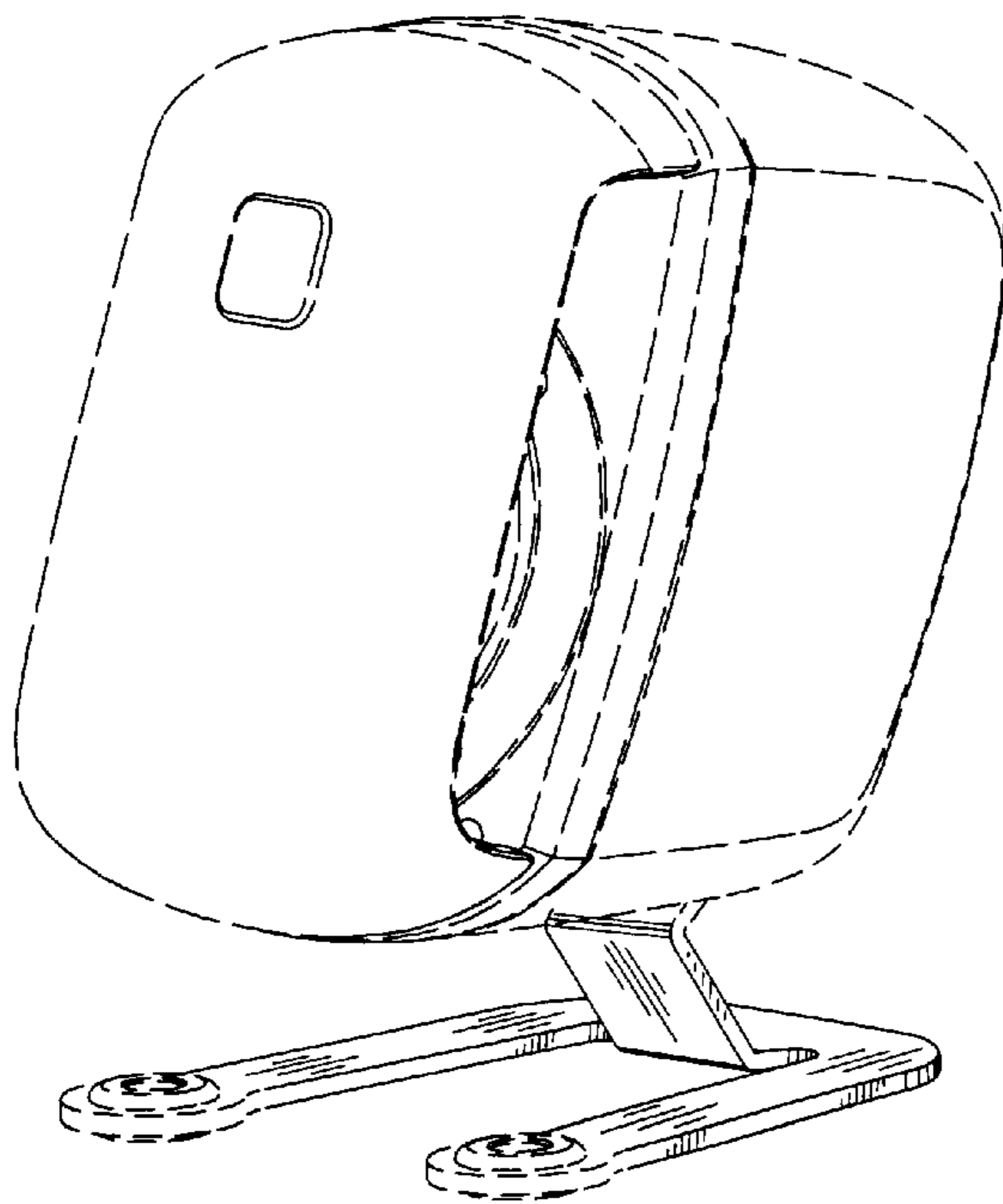


FIG. 4

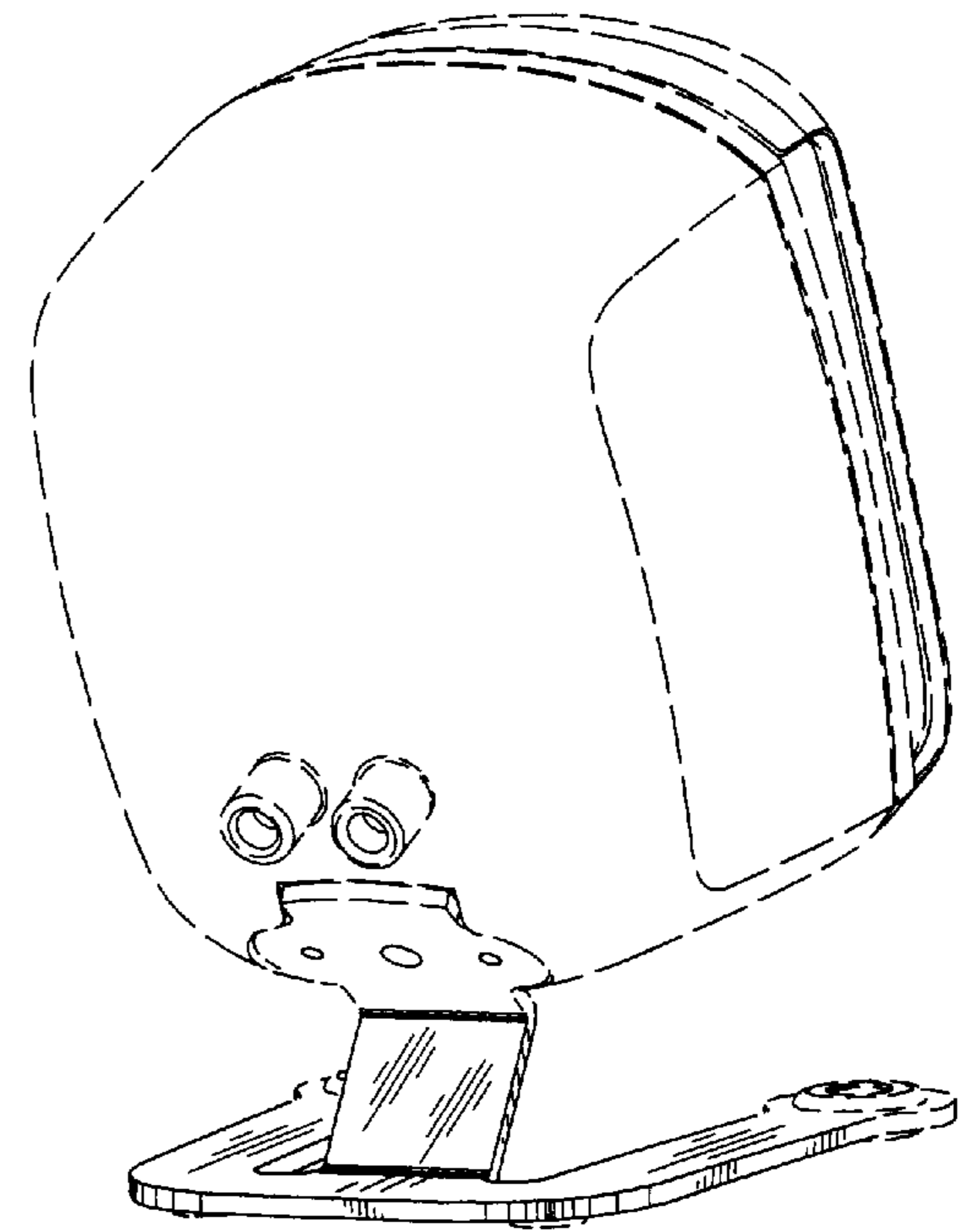


FIG.5

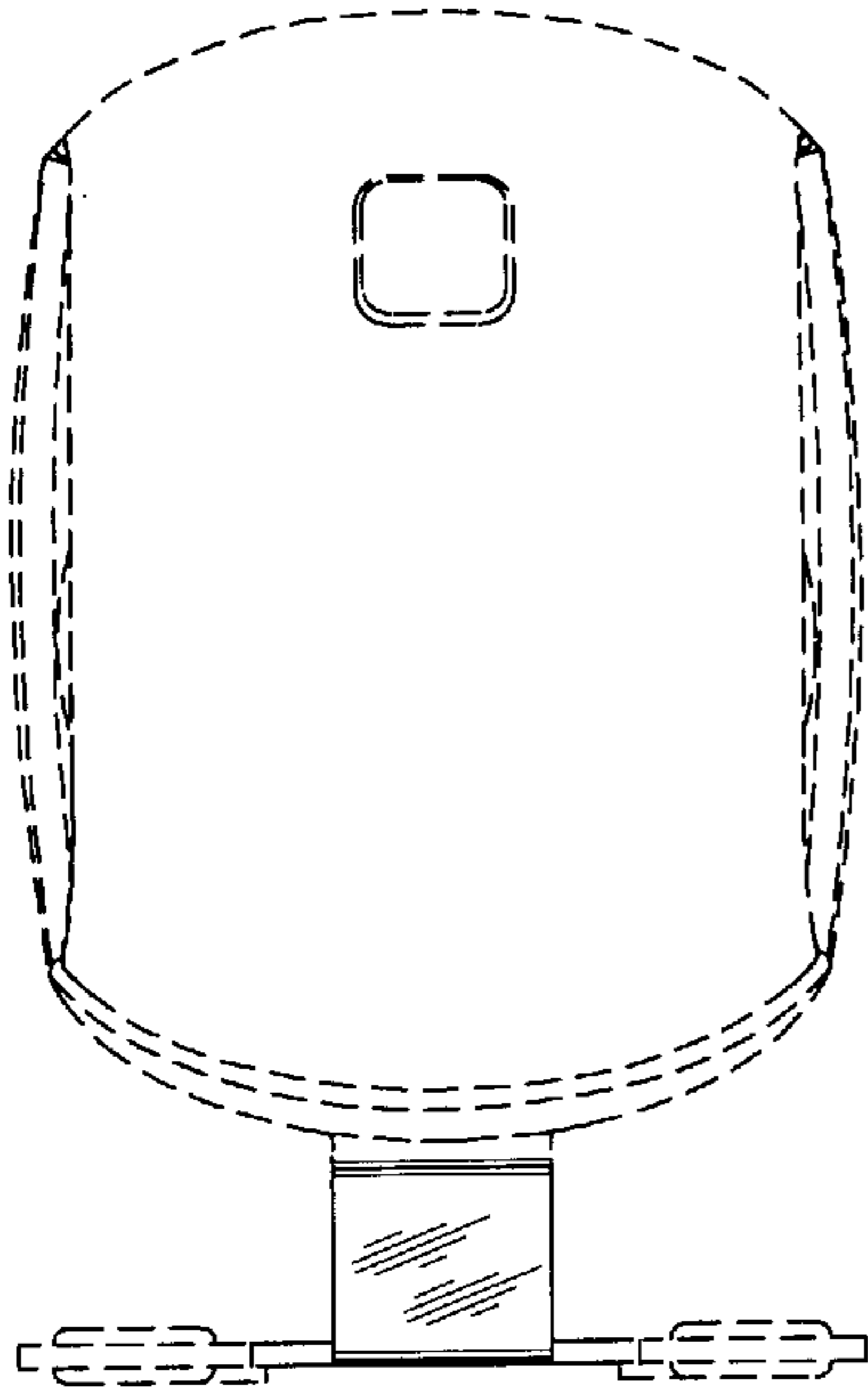


FIG. 6

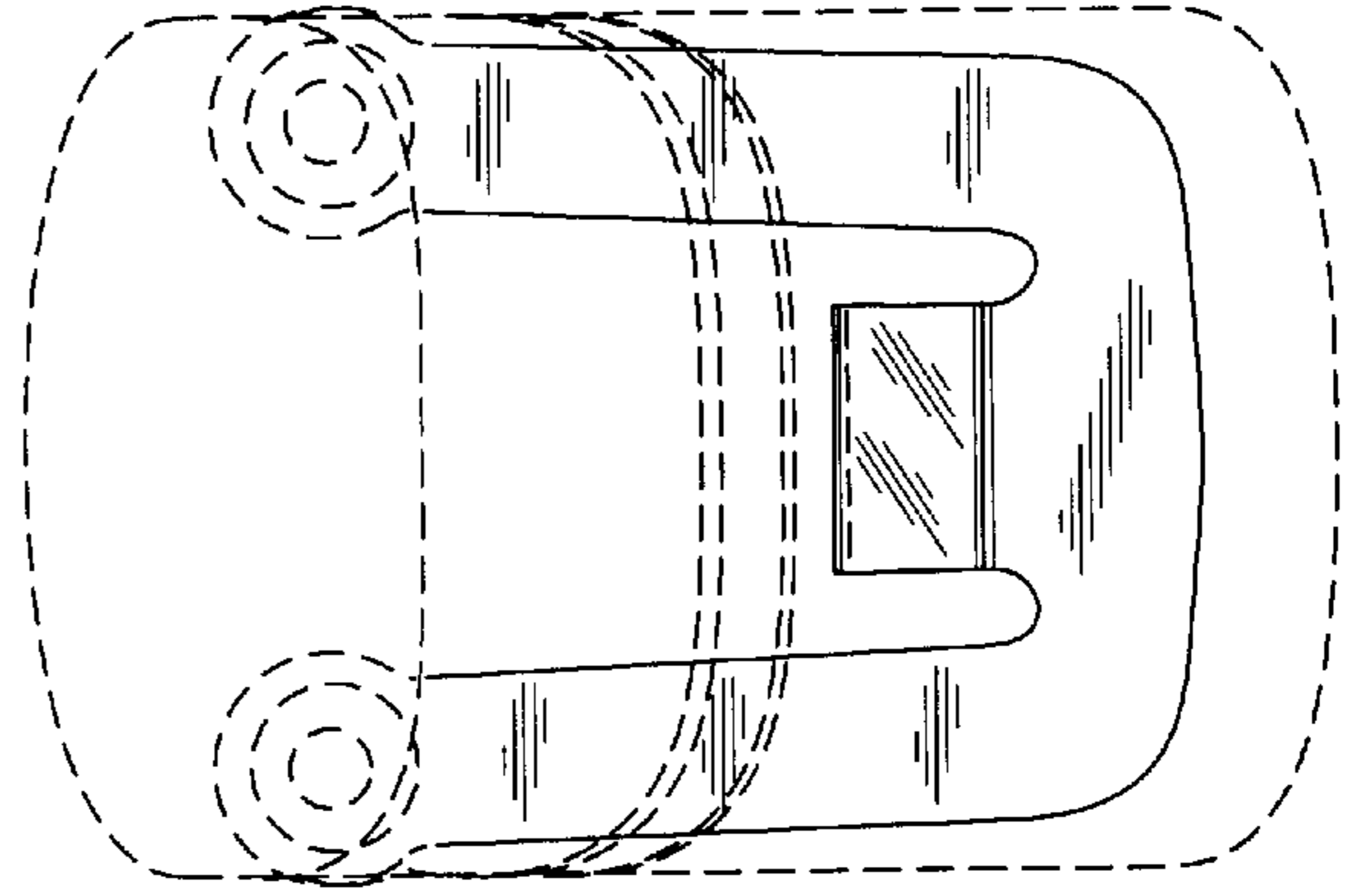


FIG.7

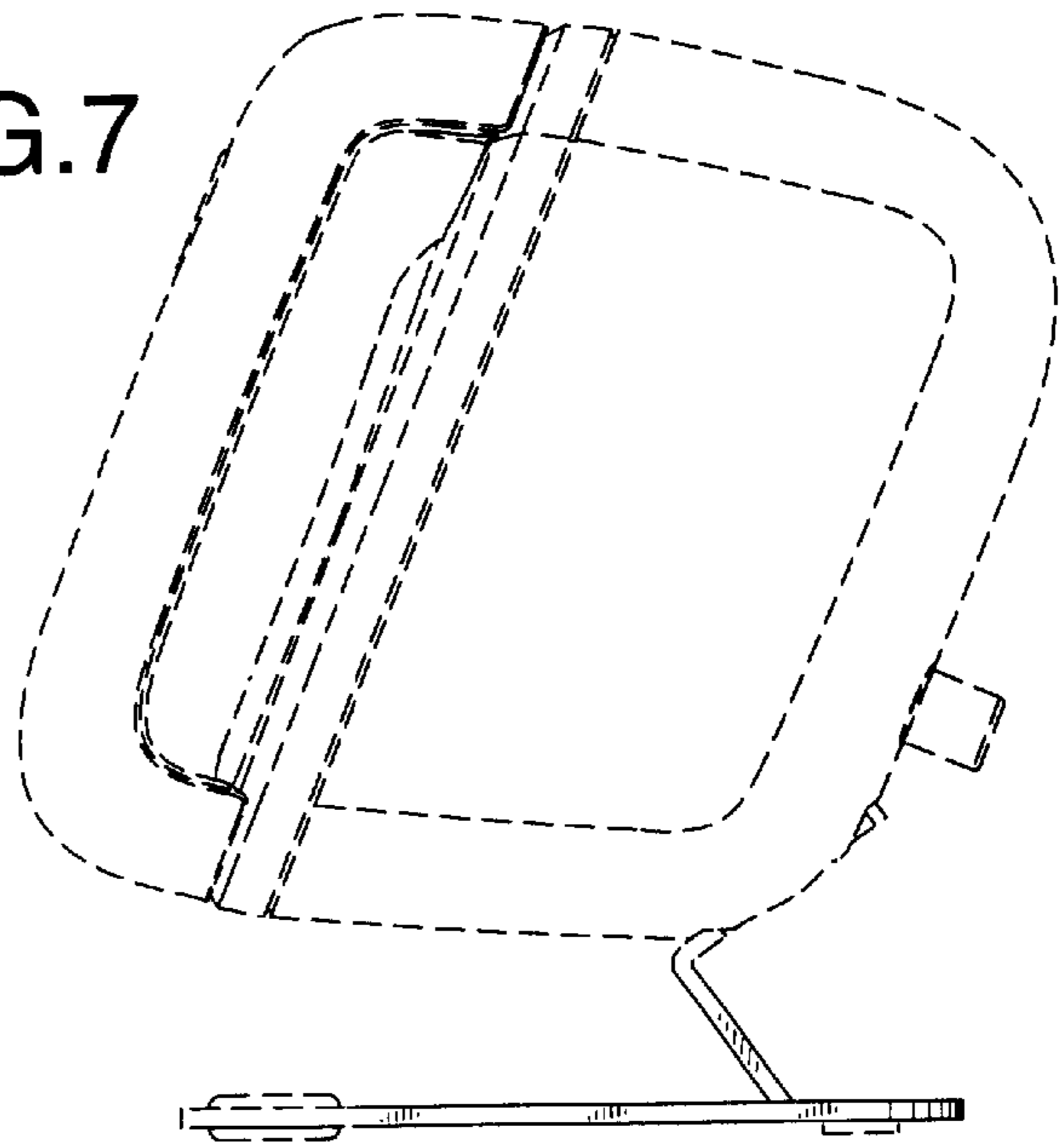


FIG.8

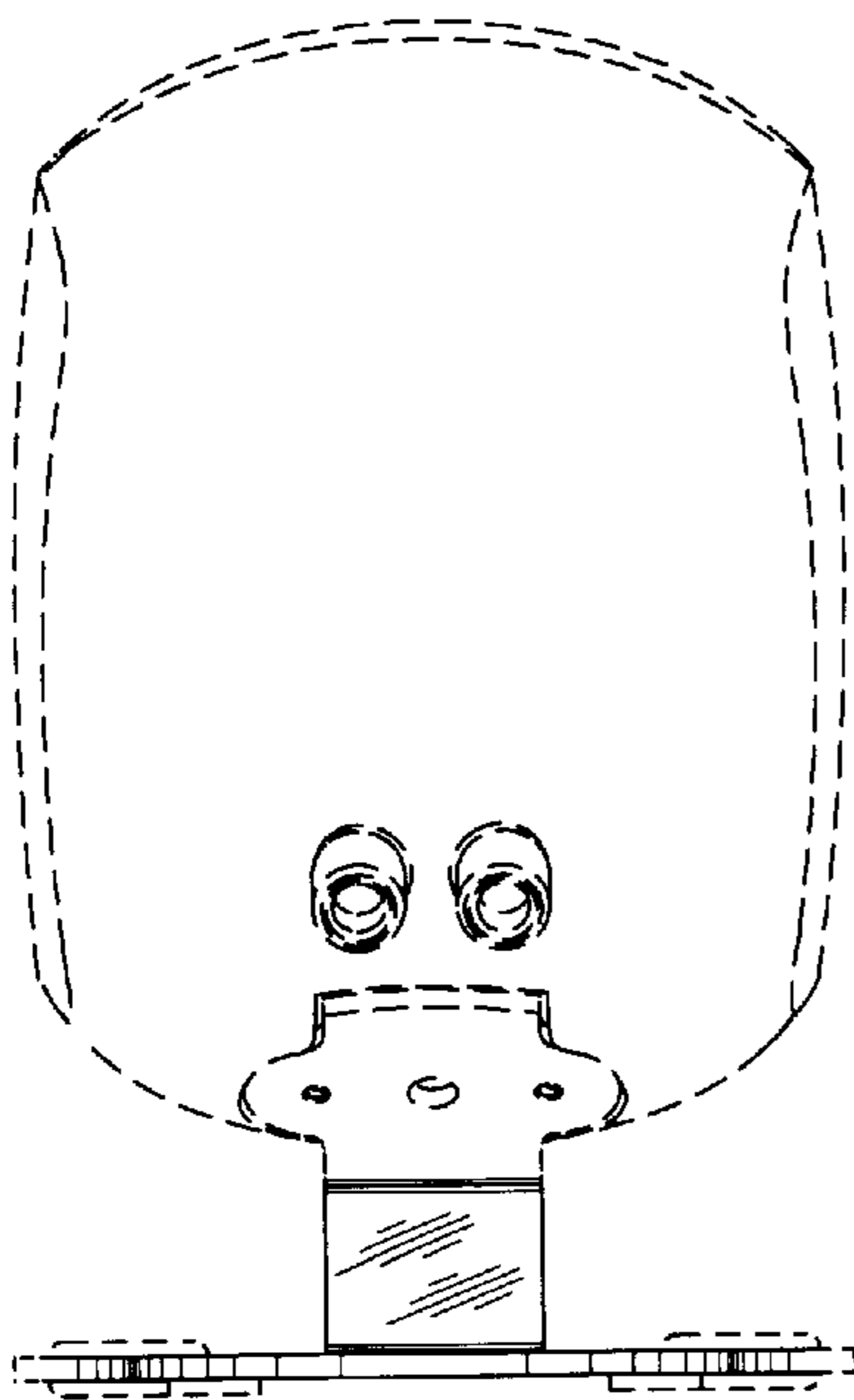


FIG.9

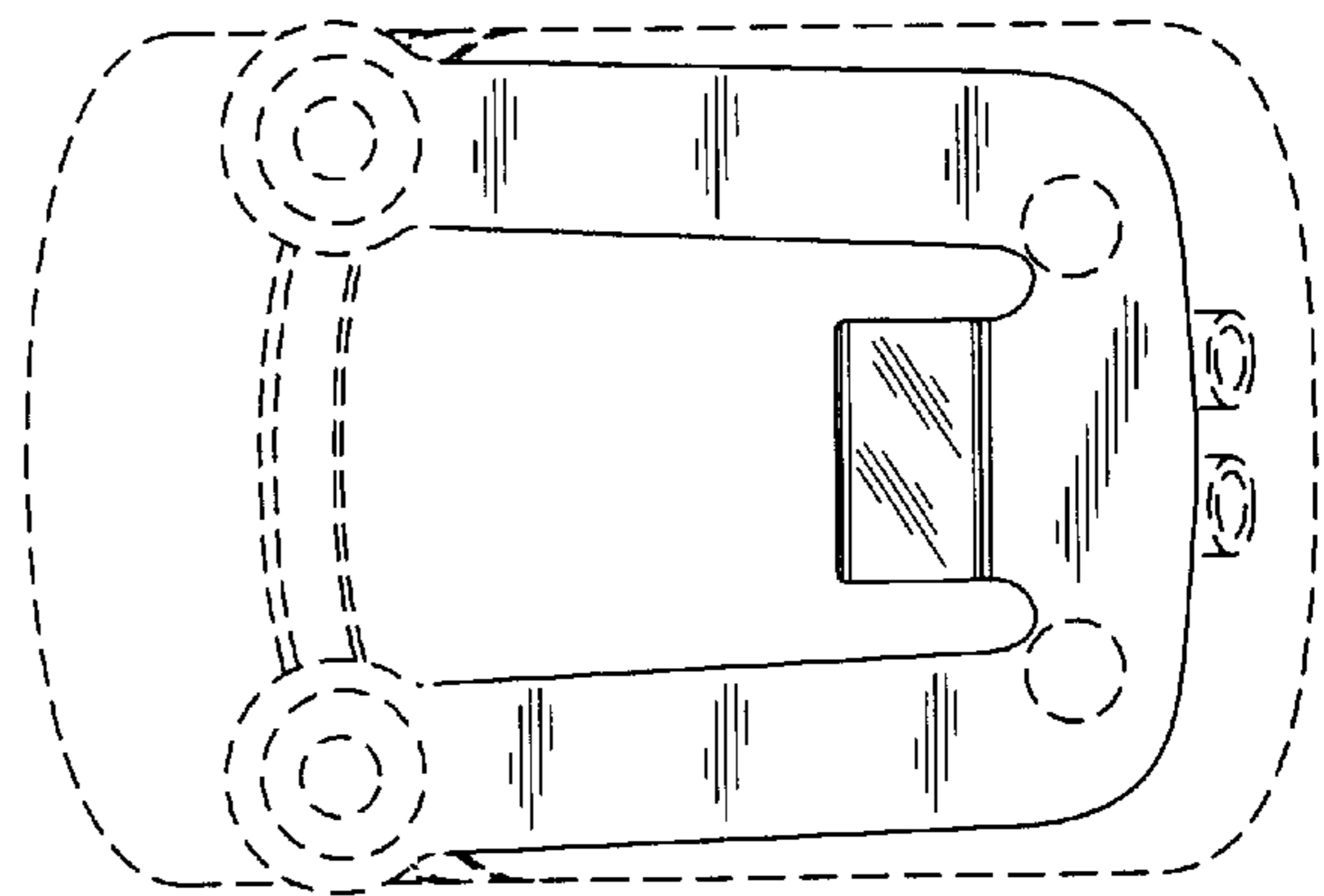


FIG. 10

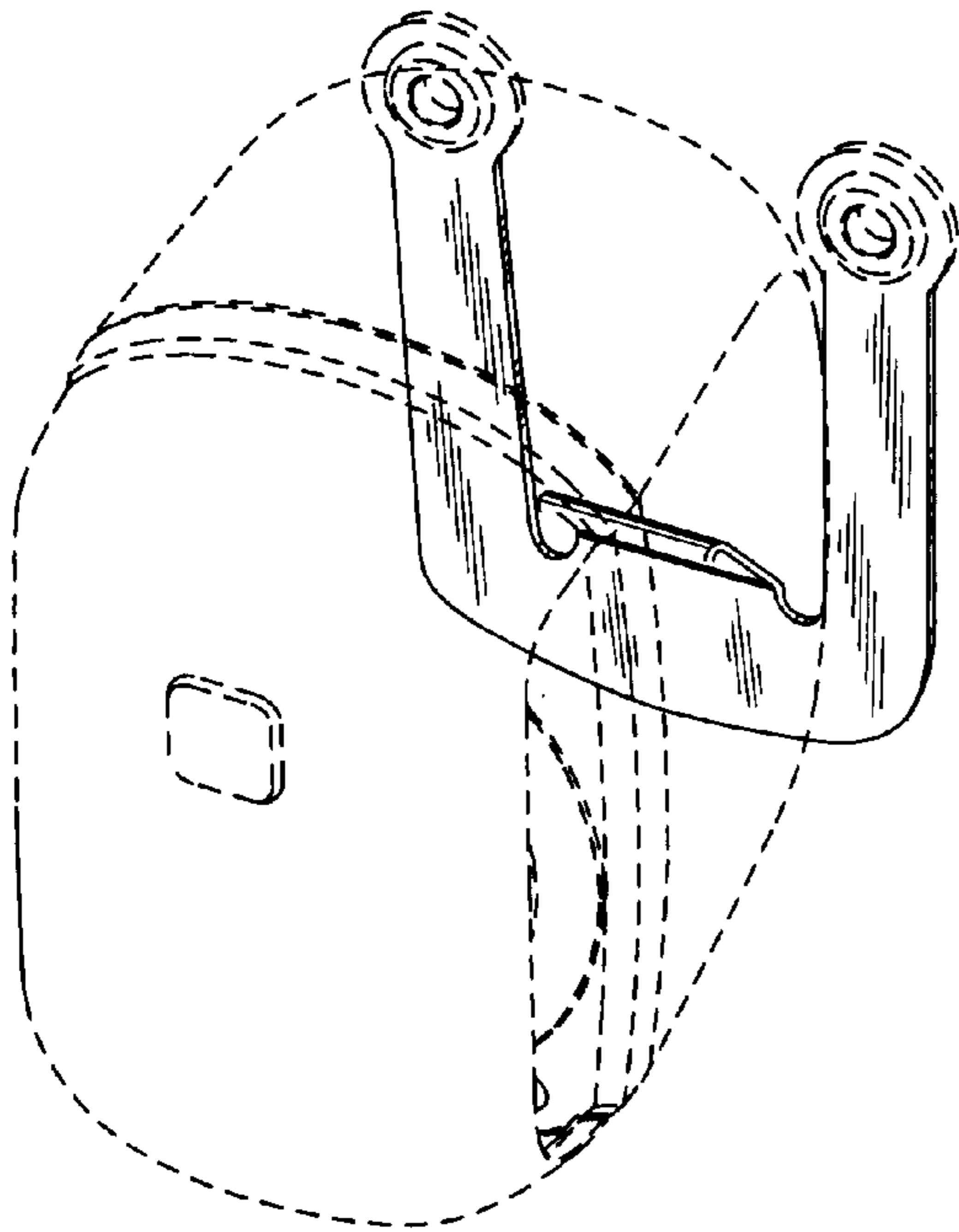


FIG. 11

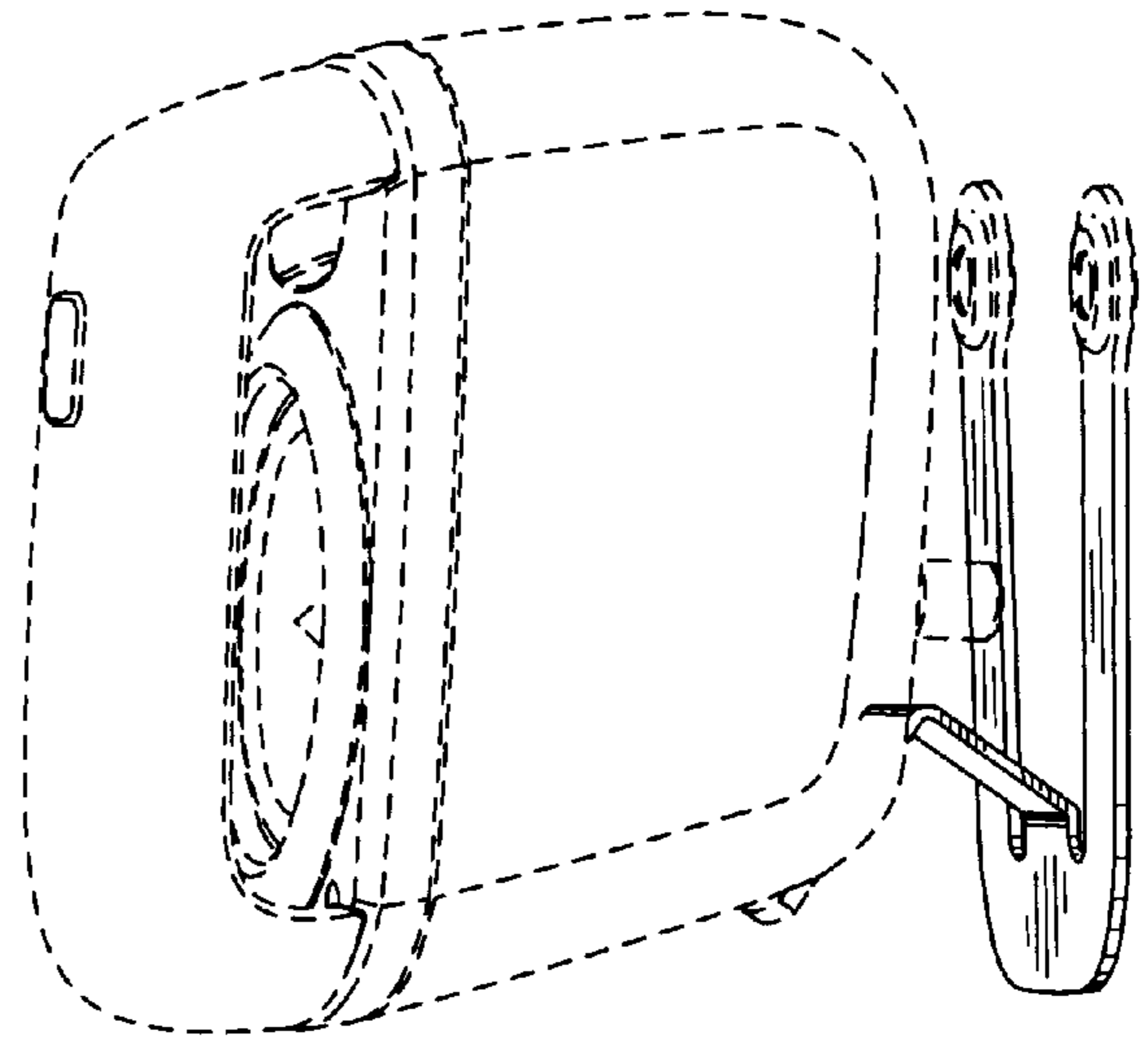


FIG. 12

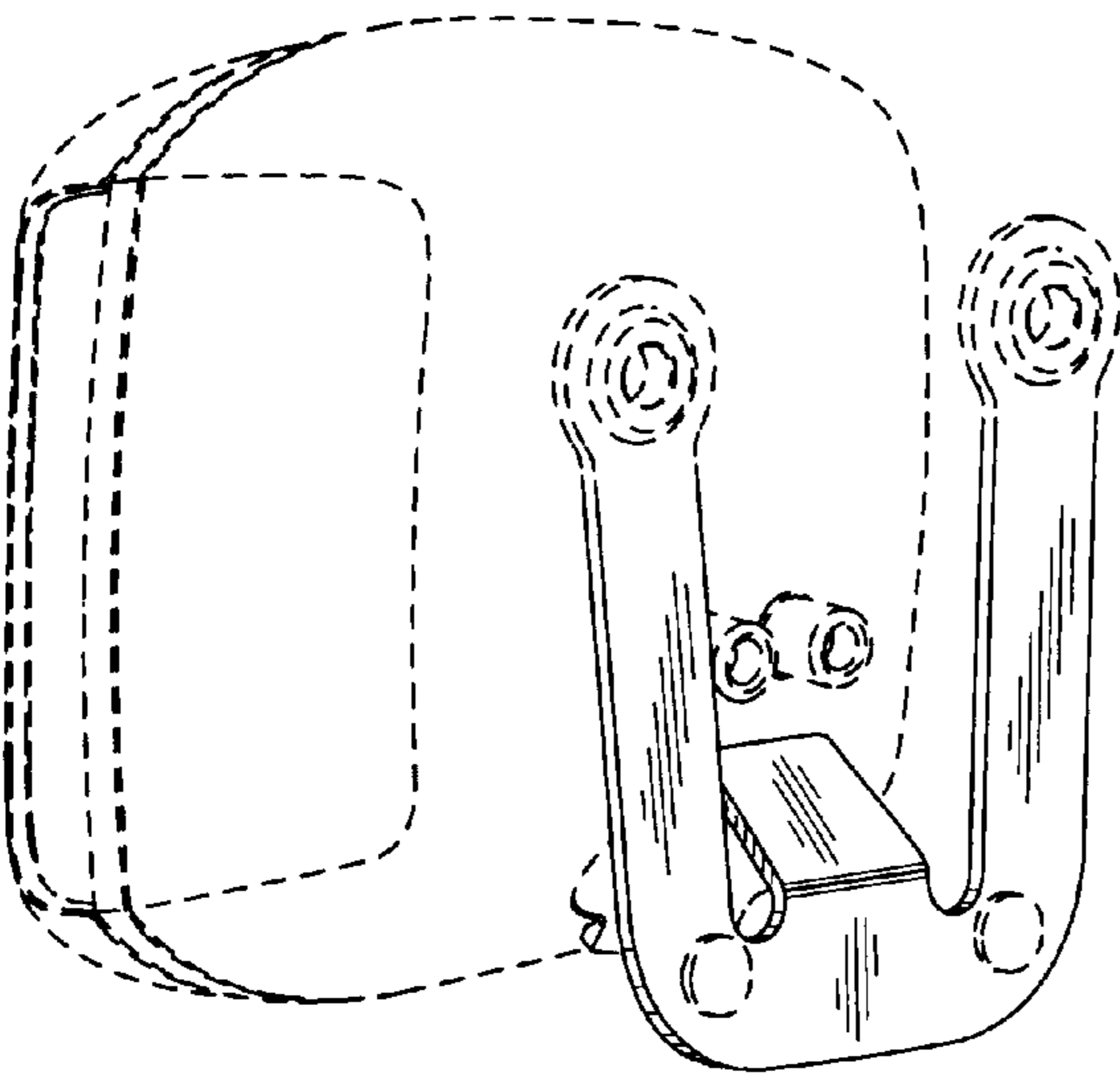


FIG. 13

