



US00D461792S

(12) **United States Design Patent**  
**Silverstein et al.**

(10) **Patent No.:** **US D461,792 S**

(45) **Date of Patent:** **\*\* Aug. 20, 2002**

(54) **LOUDSPEAKER**

(75) Inventors: **Steven A. Silverstein**, Marlborough;  
**Michael E. Laude**, Upton, both of MA  
(US)

(73) Assignee: **Bose Corporation**, Framingham, MA  
(US)

(\*\*) Term: **14 Years**

(21) Appl. No.: **29/142,520**

(22) Filed: **May 25, 2001**

(51) **LOC (7) Cl.** ..... **14-01**

(52) **U.S. Cl.** ..... **D14/214; D14/215**

(58) **Field of Search** ..... D14/204, 207-216,  
D14/221-222; 181/144-145, 147-148,  
150, 152, 157, 198-199; 381/300-302,  
307, 359, 361-364, 386

(56) **References Cited**

**U.S. PATENT DOCUMENTS**

4,266,092 A \* 5/1981 Baker, III ..... 181/148

D307,014 S \* 4/1990 Newman ..... D14/210

D352,507 S \* 11/1994 Price ..... D14/215

D434,750 S \* 12/2000 Childers et al. .... D14/204

D436,946 S \* 1/2001 Lin ..... D14/215

\* cited by examiner

*Primary Examiner*—Nanda Bondade

(74) *Attorney, Agent, or Firm*—Fish & Richardson P.C.

(57) **CLAIM**

The ornamental design for a loudspeaker, substantially as shown and described.

**DESCRIPTION**

FIG. 1 is a perspective view of a loudspeaker design embodying the invention;

FIG. 2 is a front view thereof;

FIG. 3 is a rear view thereof;

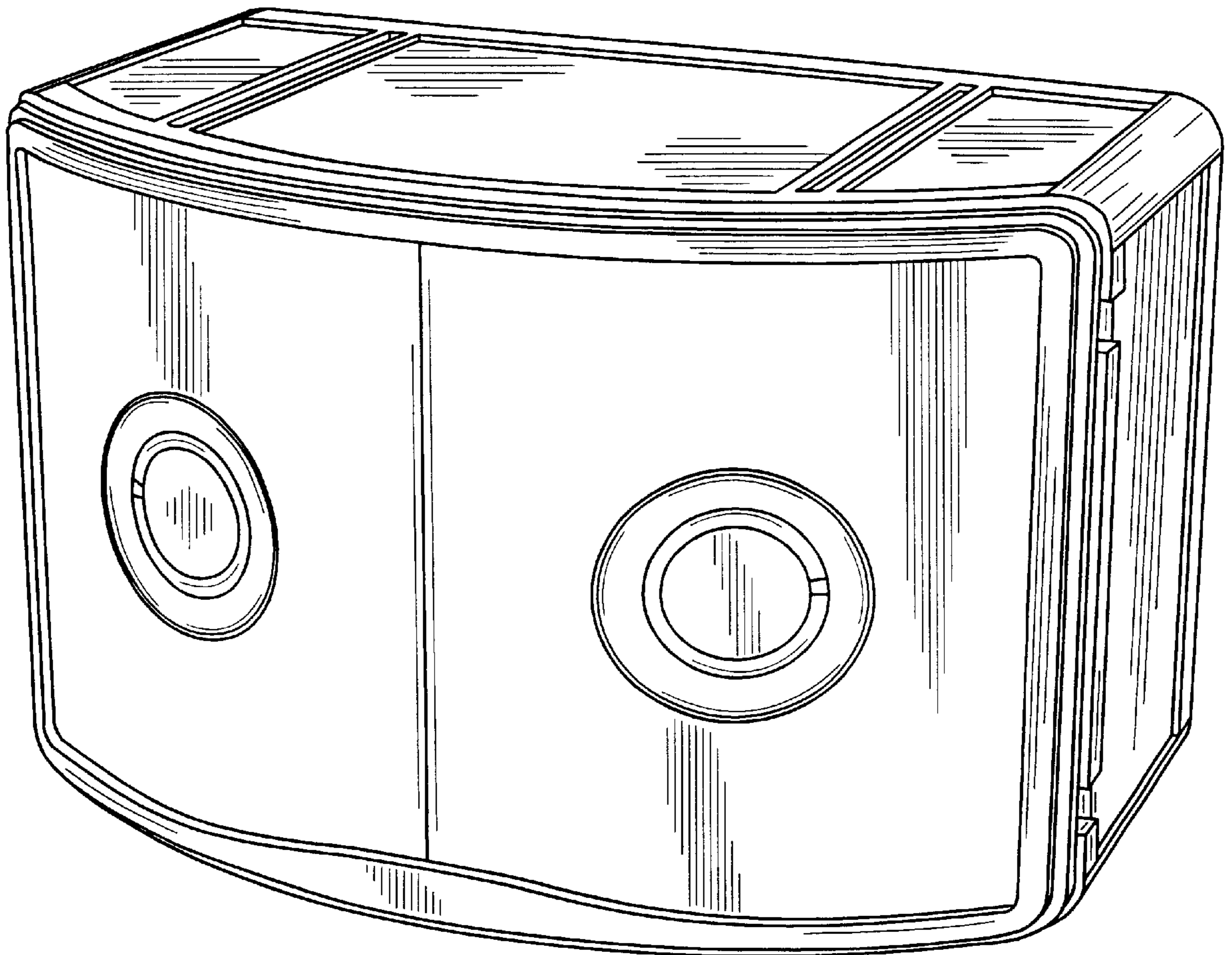
FIG. 4 is a left side view thereof;

FIG. 5 is a right side view thereof;

FIG. 6 is a top view thereof; and,

FIG. 7 is a bottom view thereof.

**1 Claim, 4 Drawing Sheets**



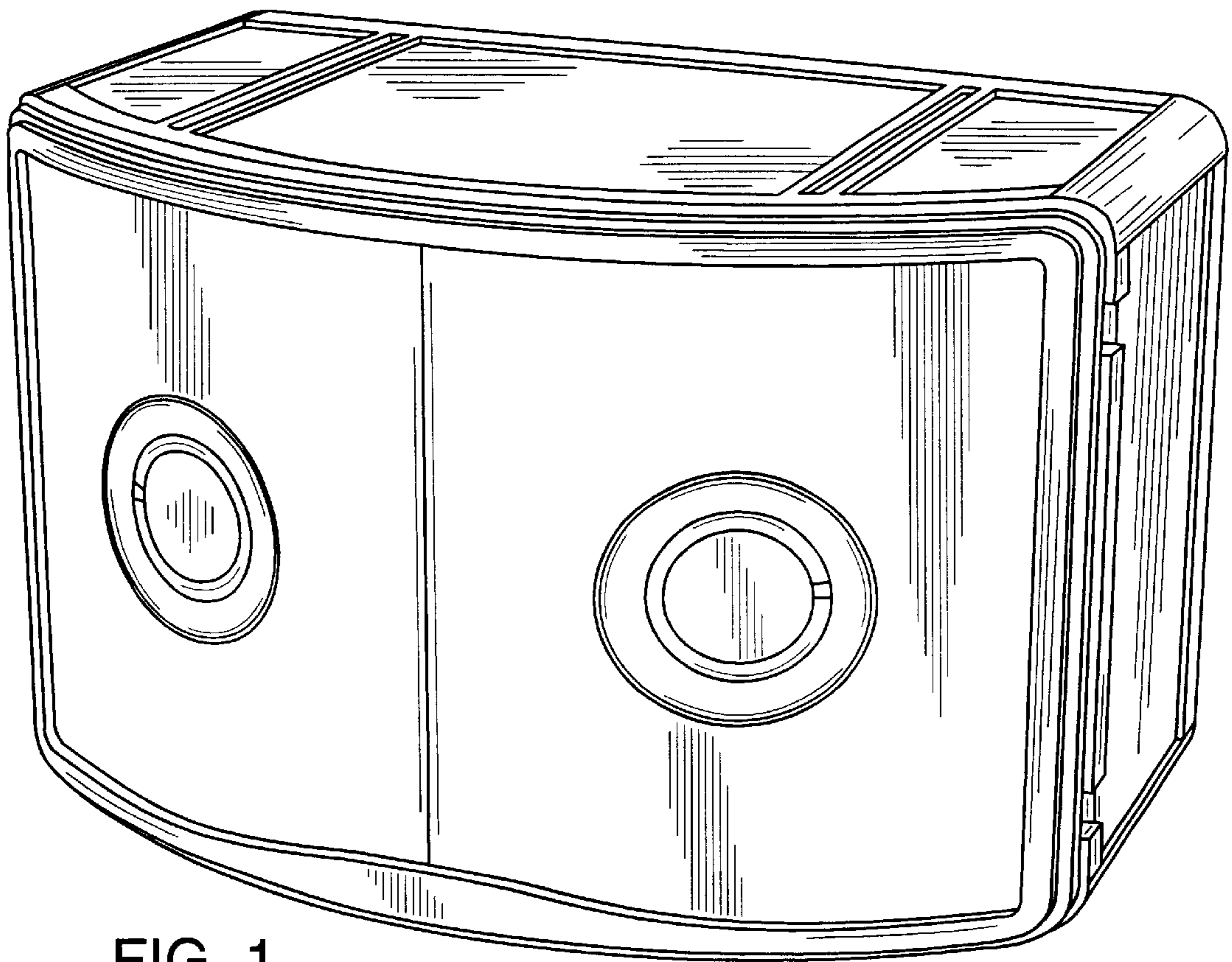


FIG. 1

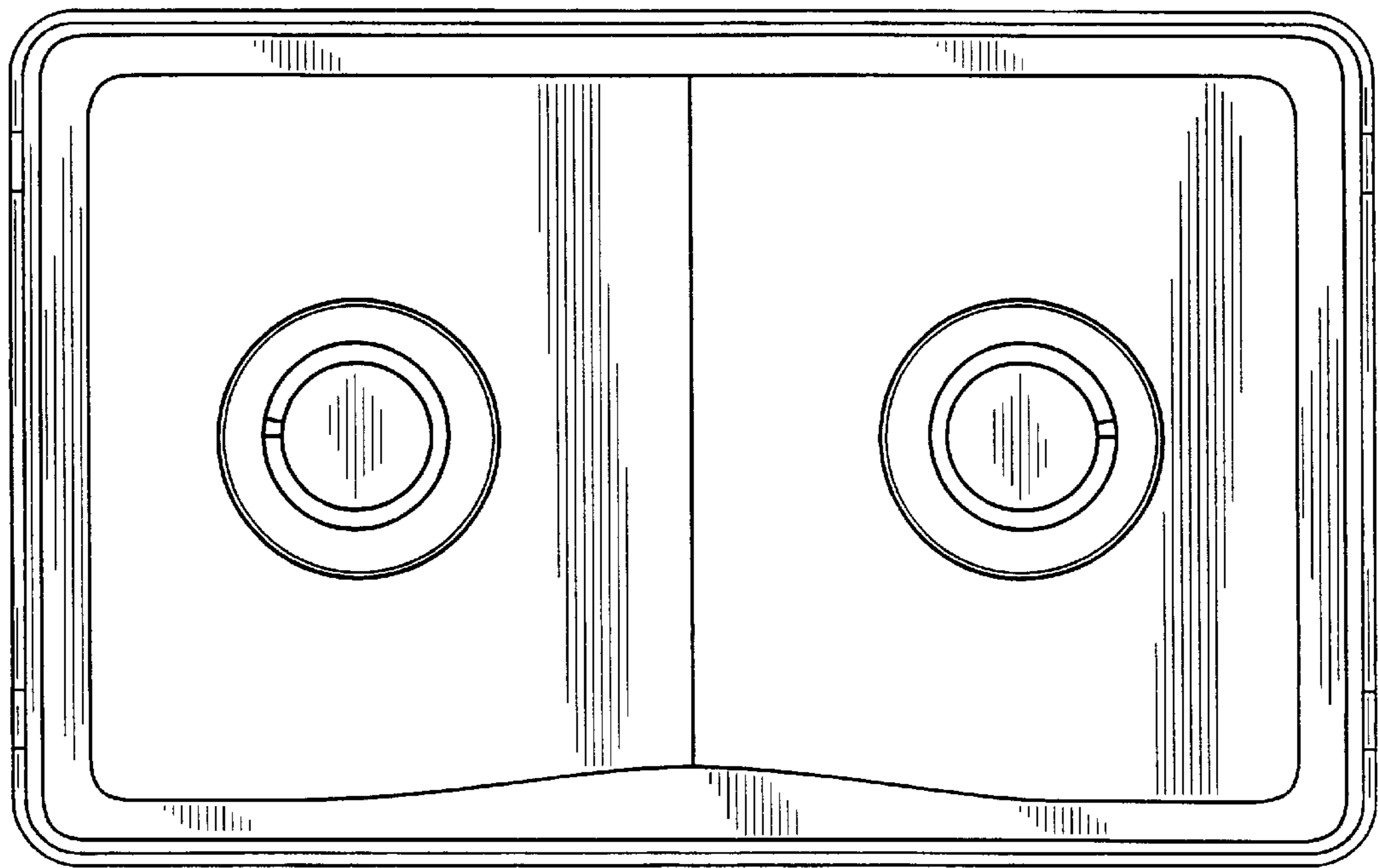


FIG. 2

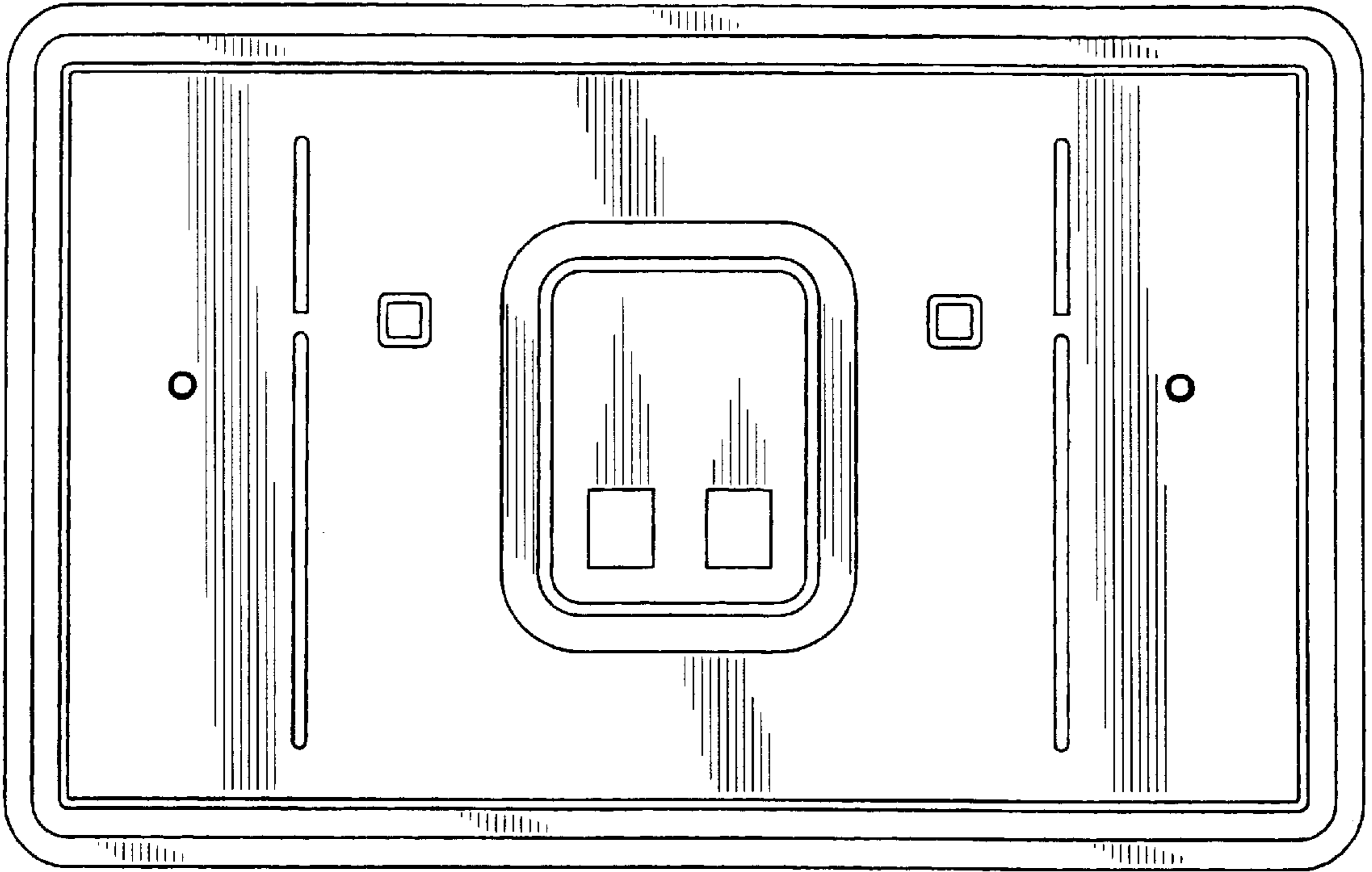


FIG. 3

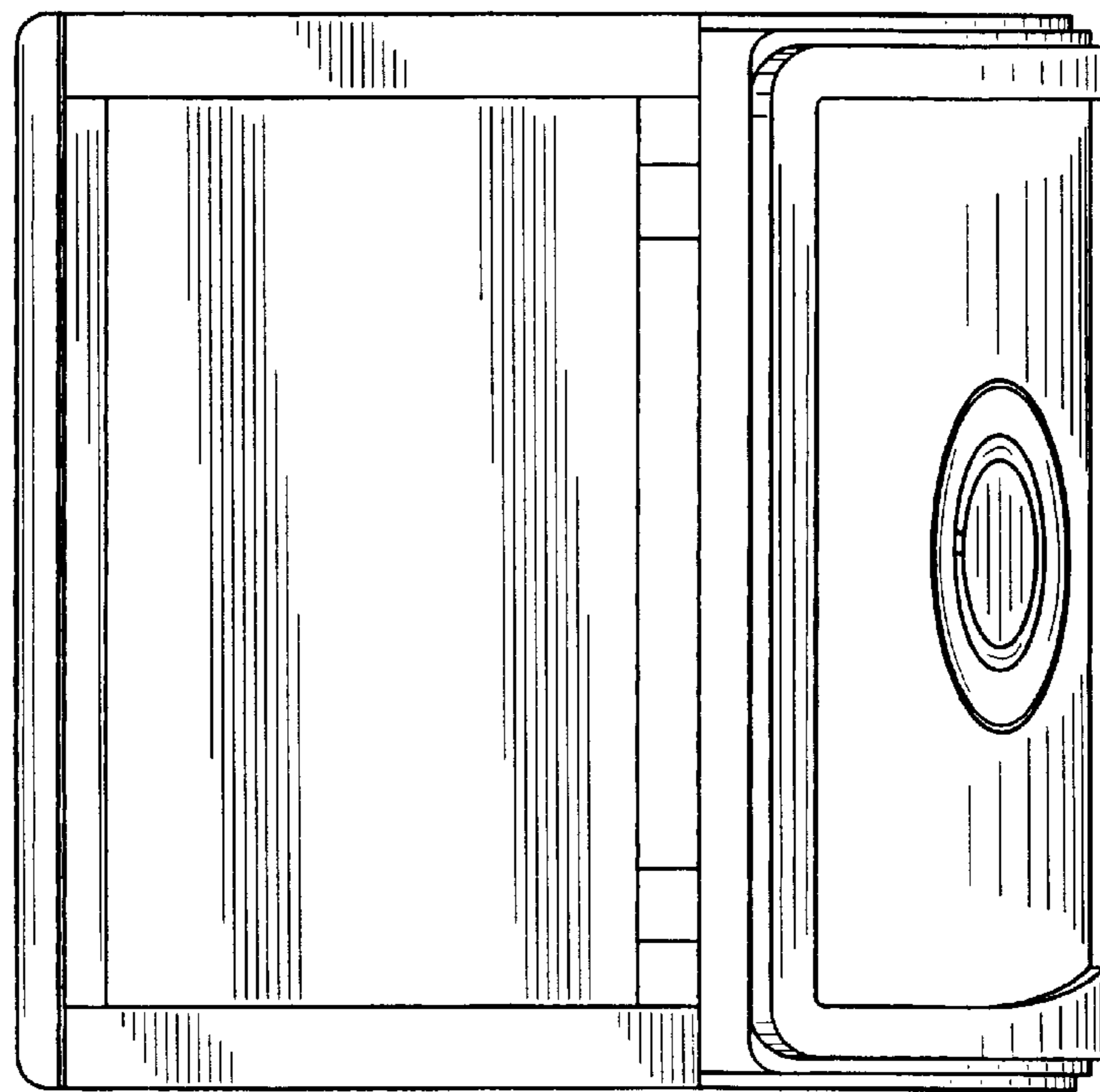


FIG. 4

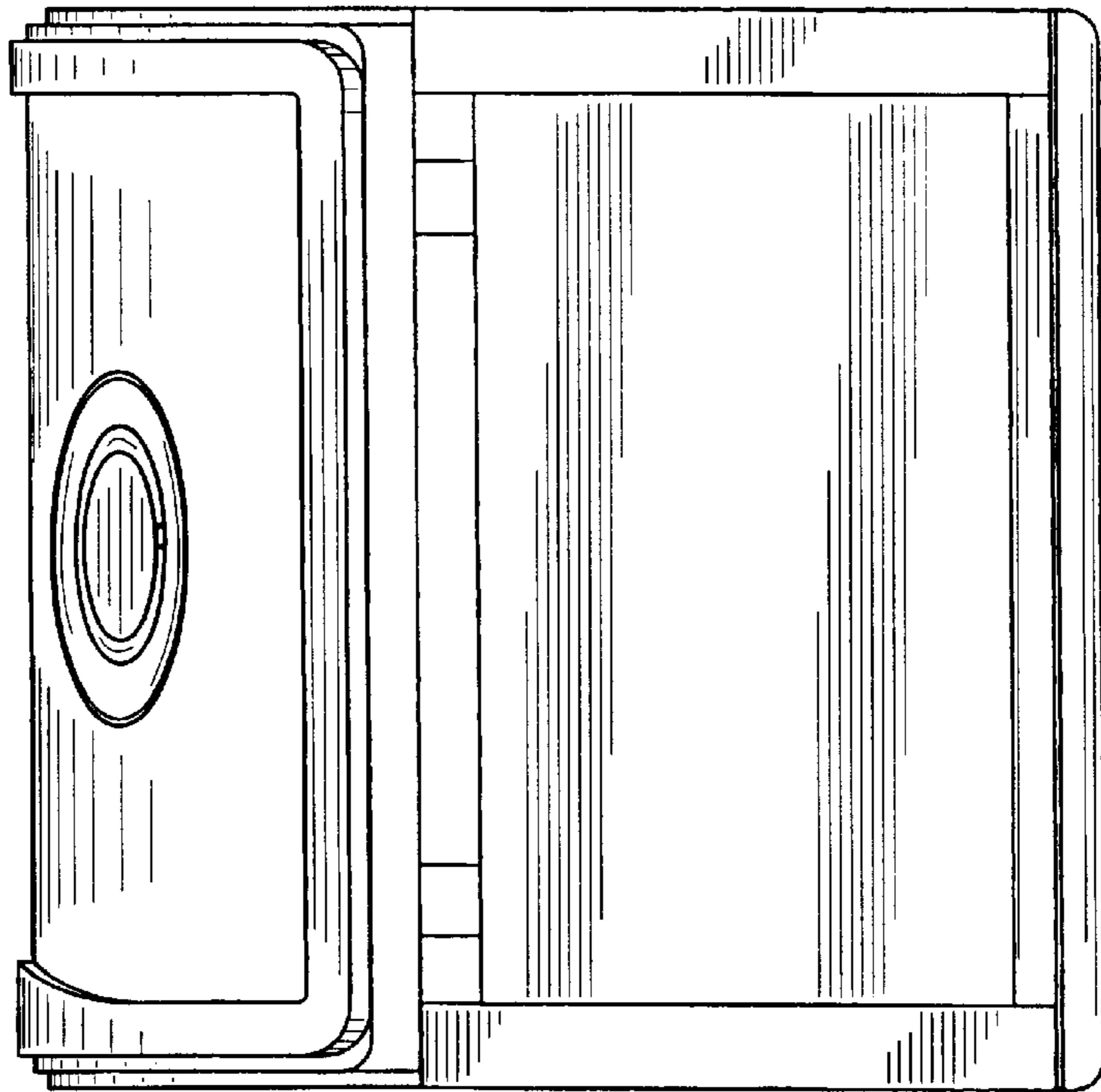


FIG. 5

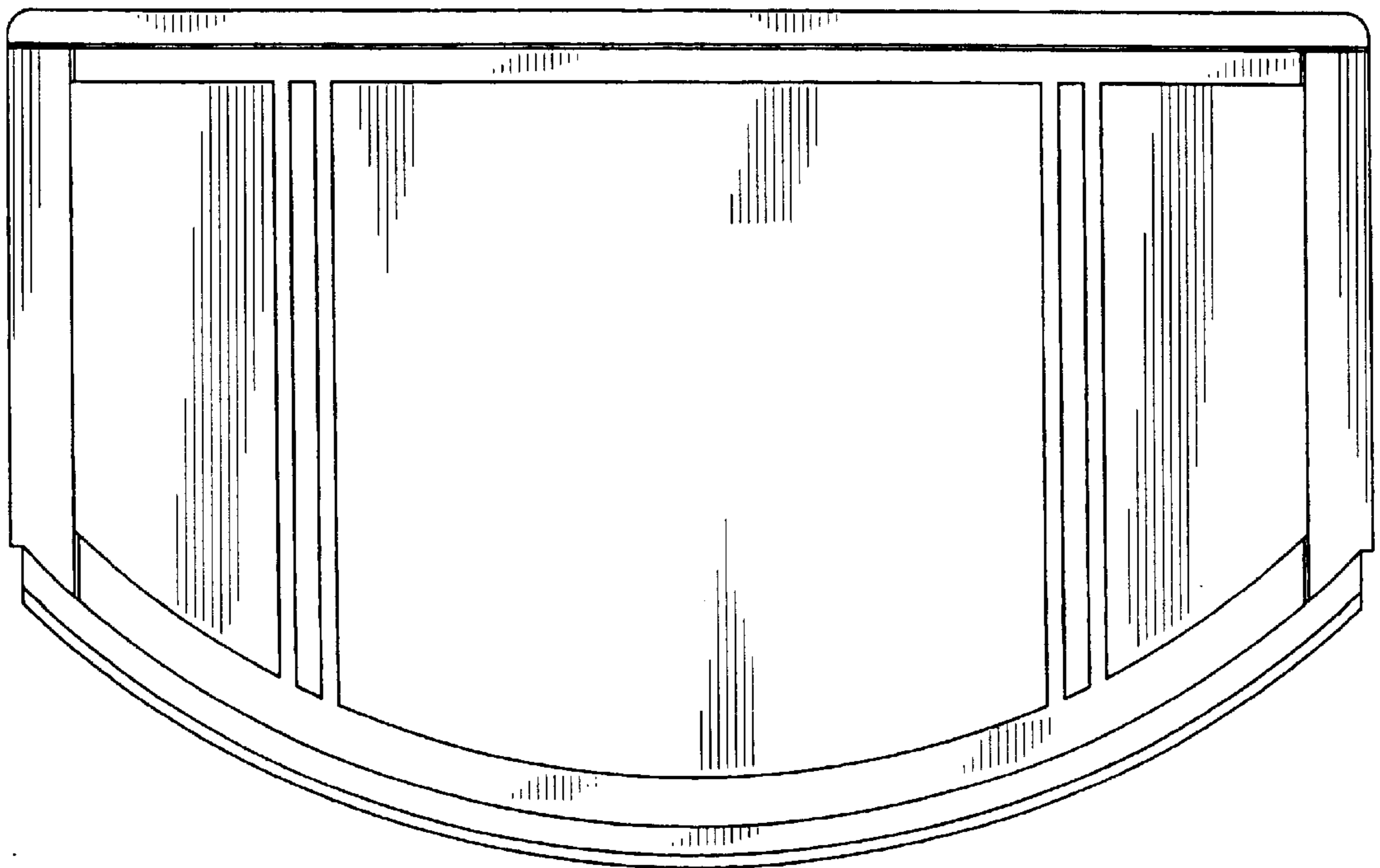


FIG. 6

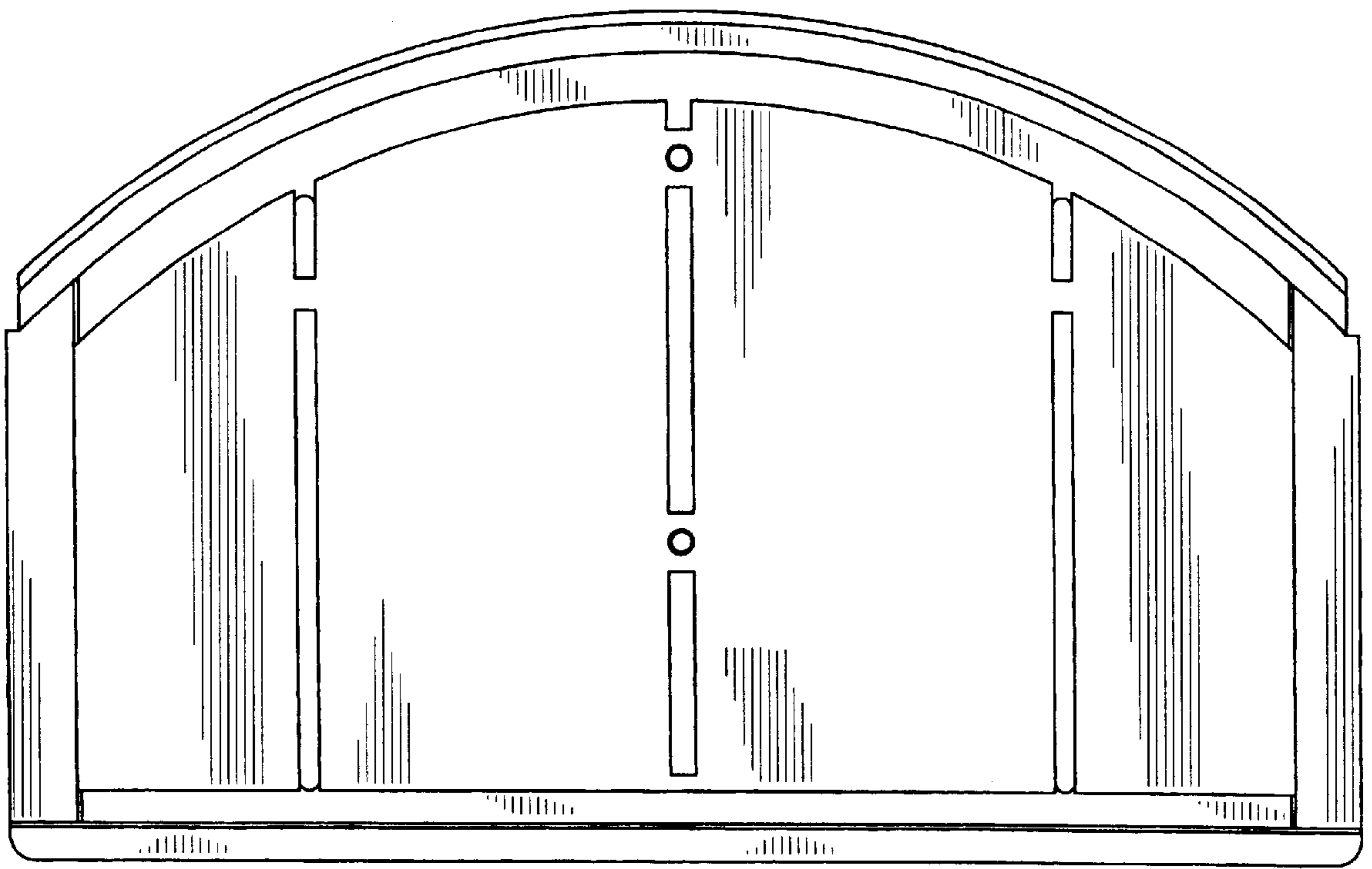


FIG. 7