



US00D461790S

(12) **United States Design Patent**
Takeshi

(10) **Patent No.:** **US D461,790 S**

(45) **Date of Patent:** **** Aug. 20, 2002**

(54) **CARD TYPE SPEAKER**

(75) Inventor: **Futoshi Takeshi**, Kanagawa (JP)

(73) Assignee: **Matsushita Electric Industrial Co., Ltd.**, Osaka (JP)

(**) Term: **14 Years**

(21) Appl. No.: **29/141,512**

(22) Filed: **May 7, 2001**

(51) **LOC (7) Cl.** **14-01**

(52) **U.S. Cl.** **D14/204**

(58) **Field of Search** D14/204, 207-216,
D14/389, 434-436, 483; 181/144-145,
147-148, 140, 152, 157, 198-199; 381/300-302,
307, 359, 361-364, 386; 361/748-753,
756-757

(56) **References Cited**

U.S. PATENT DOCUMENTS

D321,196 S	*	10/1991	Yamamoto	D14/214
D351,829 S	*	10/1994	Maines	D14/483
D364,861 S	*	12/1995	Luong	D14/436
D400,523 S	*	11/1998	Tatenuma	D14/483
D425,897 S	*	5/2000	Cho	D14/214
D430,141 S	*	8/2000	Liu	D14/215
D438,530 S	*	3/2001	Sawhney et al.	D14/214

OTHER PUBLICATIONS

Nikkei BP Biz Tech, home page, May 10, 2000.

Mainichi Interactive, home page, May 10, 2000.

Dempa Shimbun (newspaper), May 11, 2000.

* cited by examiner

Primary Examiner—Nanda Bondade

(74) *Attorney, Agent, or Firm*—Christensen O'Connor

Johnson Kindness PLLC

(57) **CLAIM**

The ornamental design for a card type speaker, as shown and described.

DESCRIPTION

FIG. 1 is a perspective view of the top, front and right side of a card type speaker showing my new design;

FIG. 2 is a perspective view of the top, rear and left side thereof;

FIG. 3 is a top plan view thereof;

FIG. 4 is a front view thereof;

FIG. 5 is a bottom view thereof;

FIG. 6 is a left side view thereof;

FIG. 7 is a right side view thereof; and,

FIG. 8 is a rear view thereof.

1 Claim, 5 Drawing Sheets

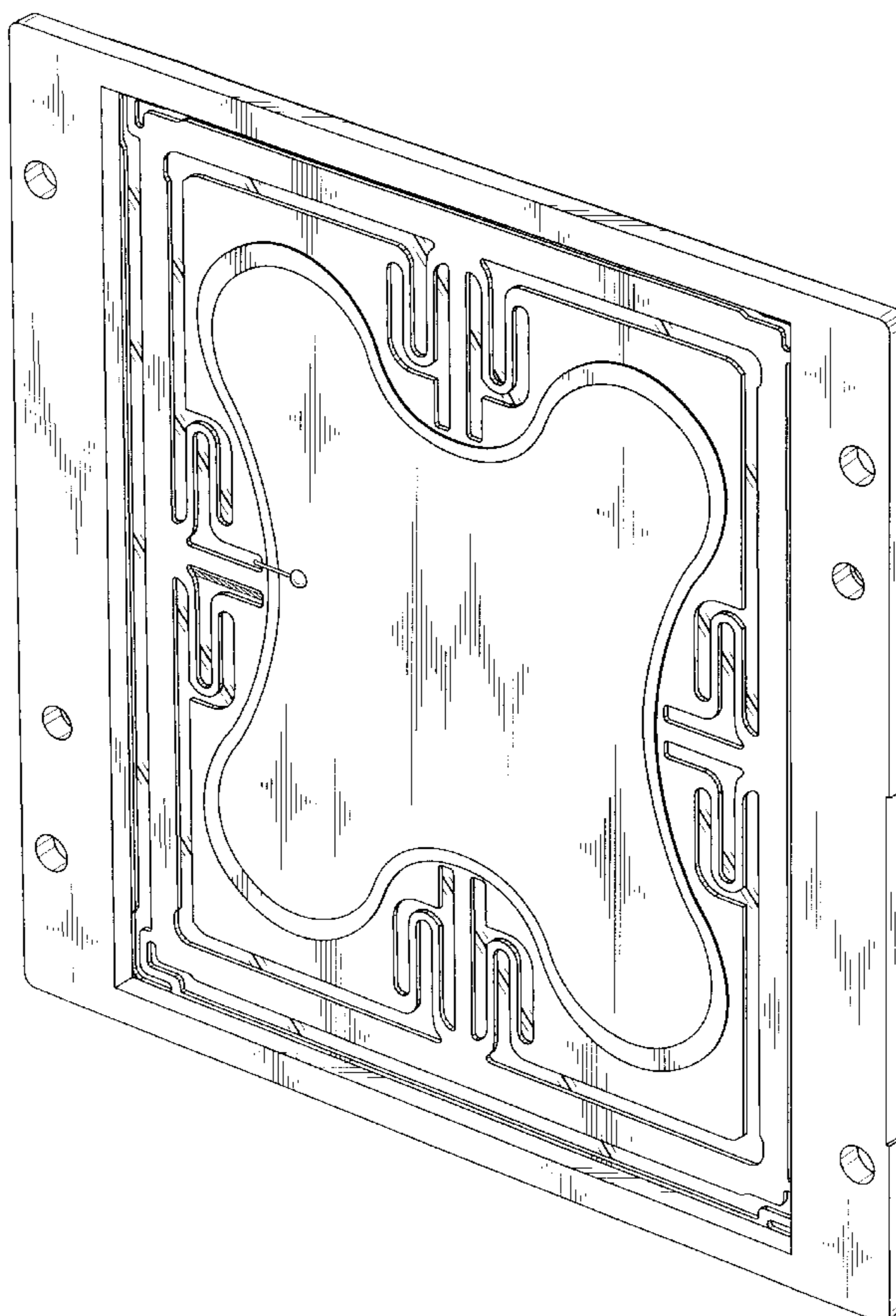
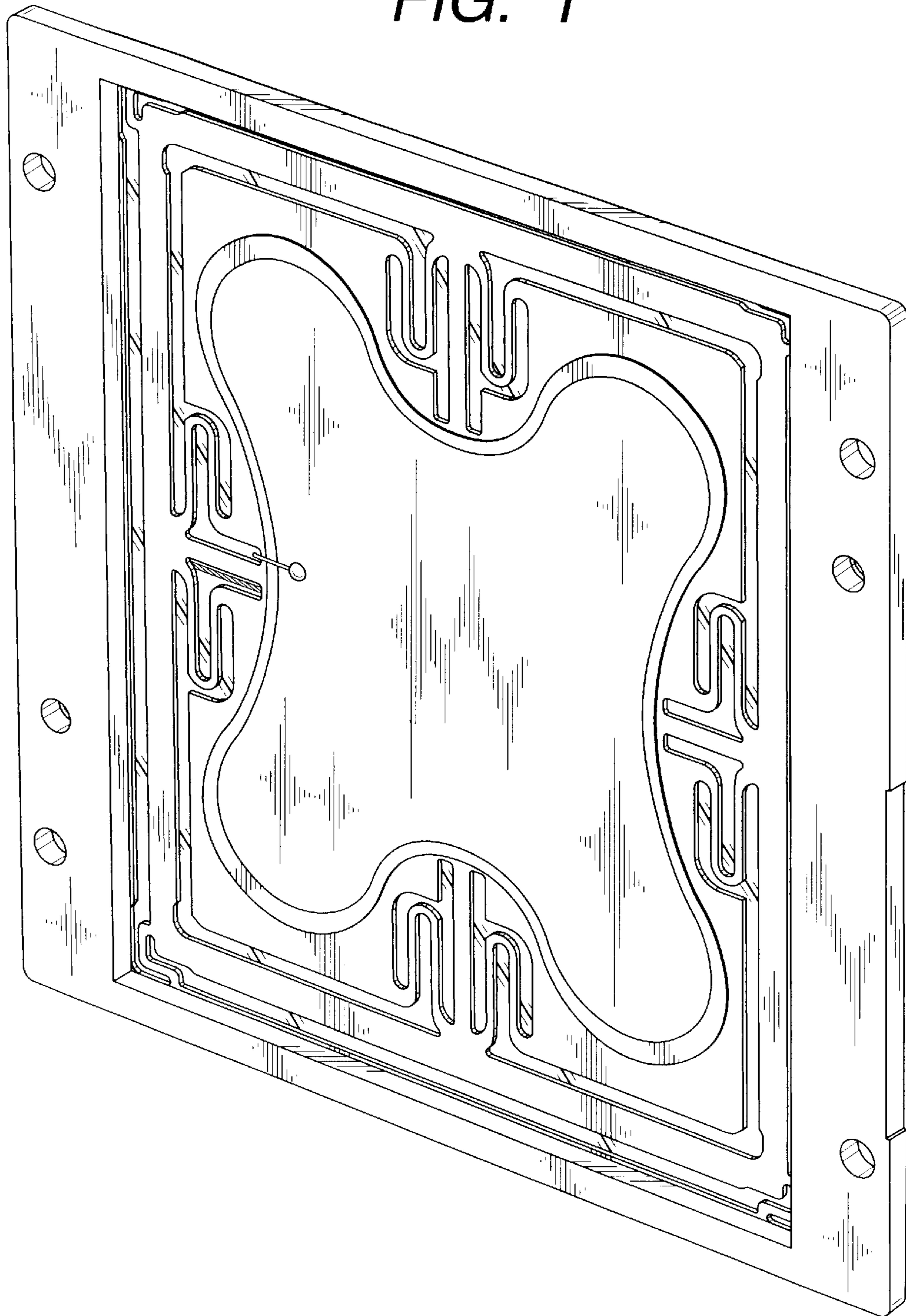


FIG. 1



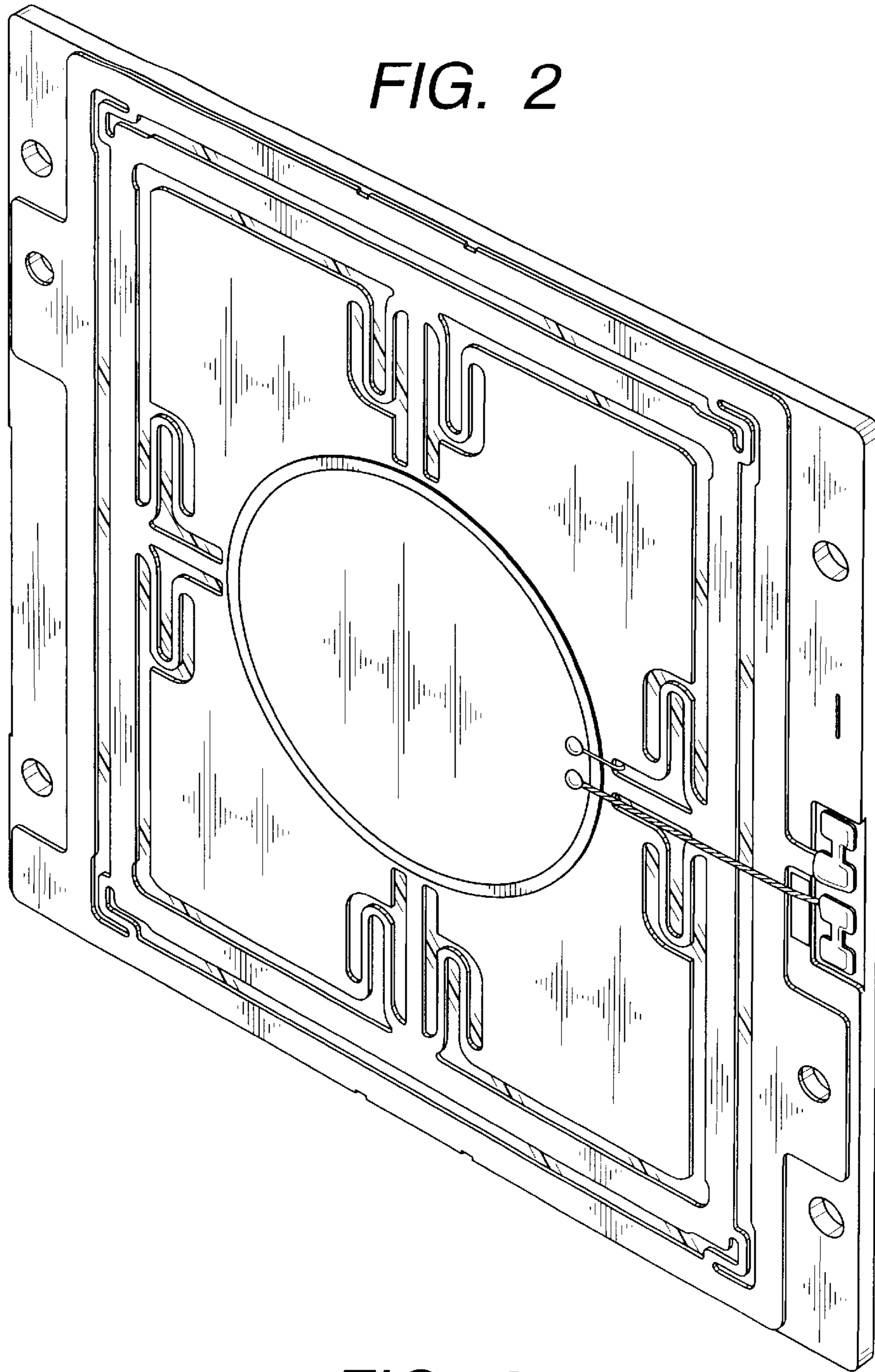


FIG. 2



FIG. 3

FIG. 4

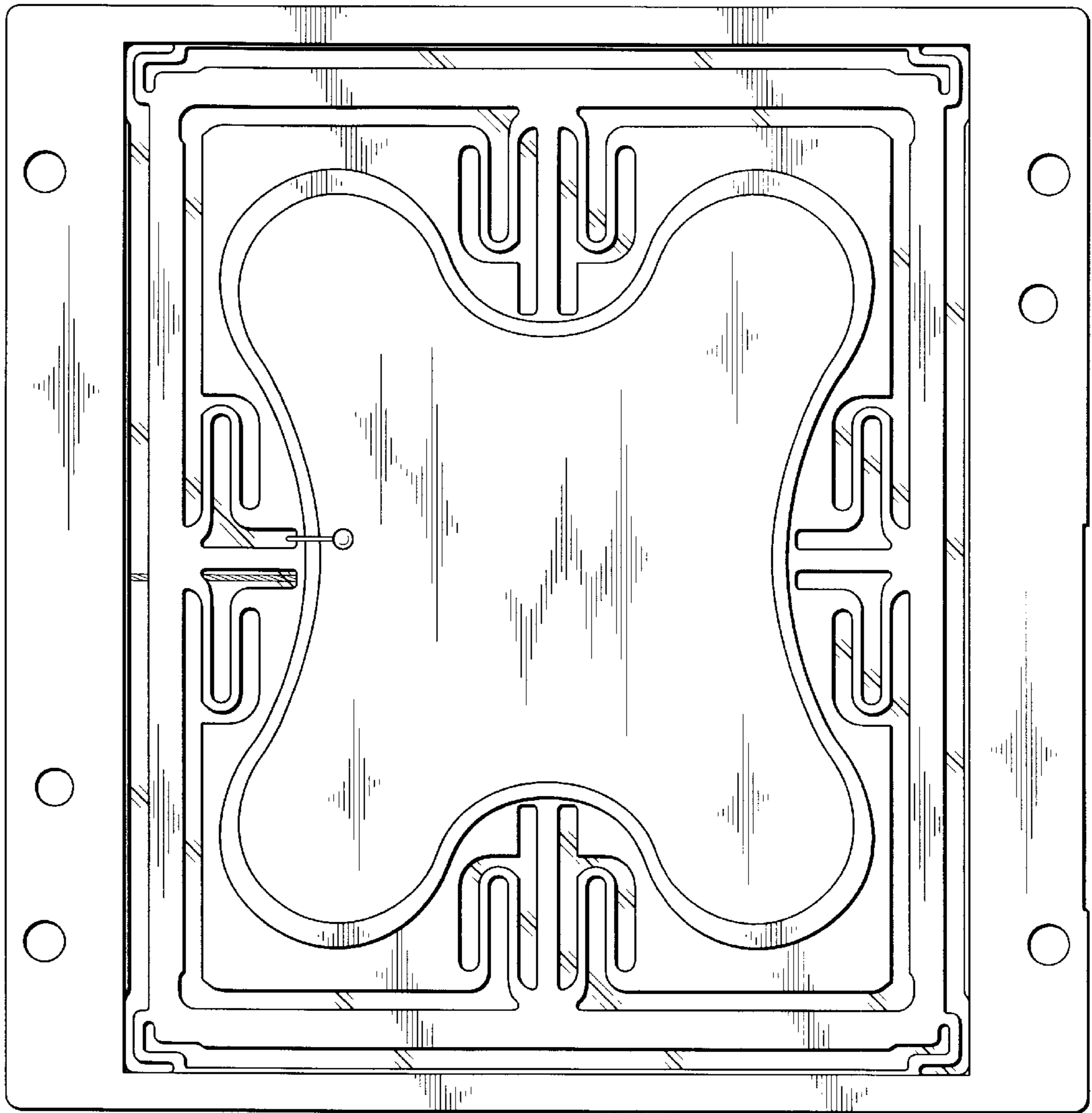


FIG. 5



FIG. 6

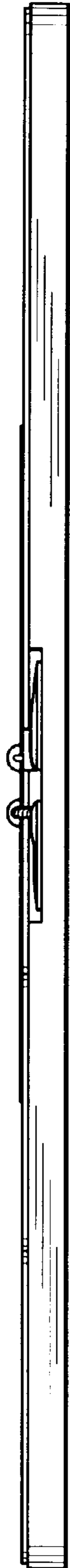


FIG. 7



FIG. 8

