



US00D461786S

(12) **United States Design Patent**
Maruyama

(10) **Patent No.:** **US D461,786 S**

(45) **Date of Patent:** **** Aug. 20, 2002**

(54) **LIQUID CRYSTAL TELEVISION**

(75) Inventor: **Kaname Maruyama**, Niigataken (JP)

(73) Assignee: **Twinbird Corporation** (JP)

(**) Term: **14 Years**

(21) Appl. No.: **29/145,373**

(22) Filed: **Jul. 20, 2001**

(30) **Foreign Application Priority Data**

Jan. 22, 2001 (JP) 2001-001035

(51) **LOC (7) Cl.** **14-03**

(52) **U.S. Cl.** **D14/126**

(58) **Field of Search** D14/125-134,
D14/239, 189, 371, 374-382; 348/836,
838, 180, 184, 325, 739; 341/12; 312/7.2;
345/901-905; 248/917-924

(56) **References Cited**

U.S. PATENT DOCUMENTS

D311,003 S	*	10/1990	Isonaga	D14/126
D330,710 S	*	11/1992	Lee	D14/189
D356,079 S	*	3/1995	Oba	D14/126
D403,670 S	*	1/1999	Liao	D14/126
D433,394 S	*	11/2000	Suzuki	D14/126
D438,849 S	*	3/2001	Kato	D14/132
D448,010 S	*	9/2001	Ogura	D14/132

* cited by examiner

Primary Examiner—Raphael Barkai

(74) *Attorney, Agent, or Firm*—Akerman Senterfitt

(57) **CLAIM**

The ornamental design for a liquid crystal television, as shown and described.

DESCRIPTION

FIG. 1 is a front perspective view from above of a liquid crystal television, showing my new design;

FIG. 2 is a front view thereof;

FIG. 3 is a right side view thereof;

FIG. 4 is a rear view thereof;

FIG. 5 is a top plan view thereof;

FIG. 6 is a bottom plan view thereof;

FIG. 7 is another front view thereof, showing a liquid crystal television with a base being attached to the front of a main body;

FIG. 8 is another right side view thereof, showing a liquid crystal television with a base being attached to the front of a main body;

FIG. 9 is another front view thereof, showing a liquid crystal television with a base detached;

FIG. 10 is another right side view thereof, showing a liquid crystal television with a base detached;

FIG. 11 is a front view of a base; and,

FIG. 12 is a rear view of a base.

The elements of FIGS. 9-12 are shown separately for ease of illustration only.

1 Claim, 7 Drawing Sheets

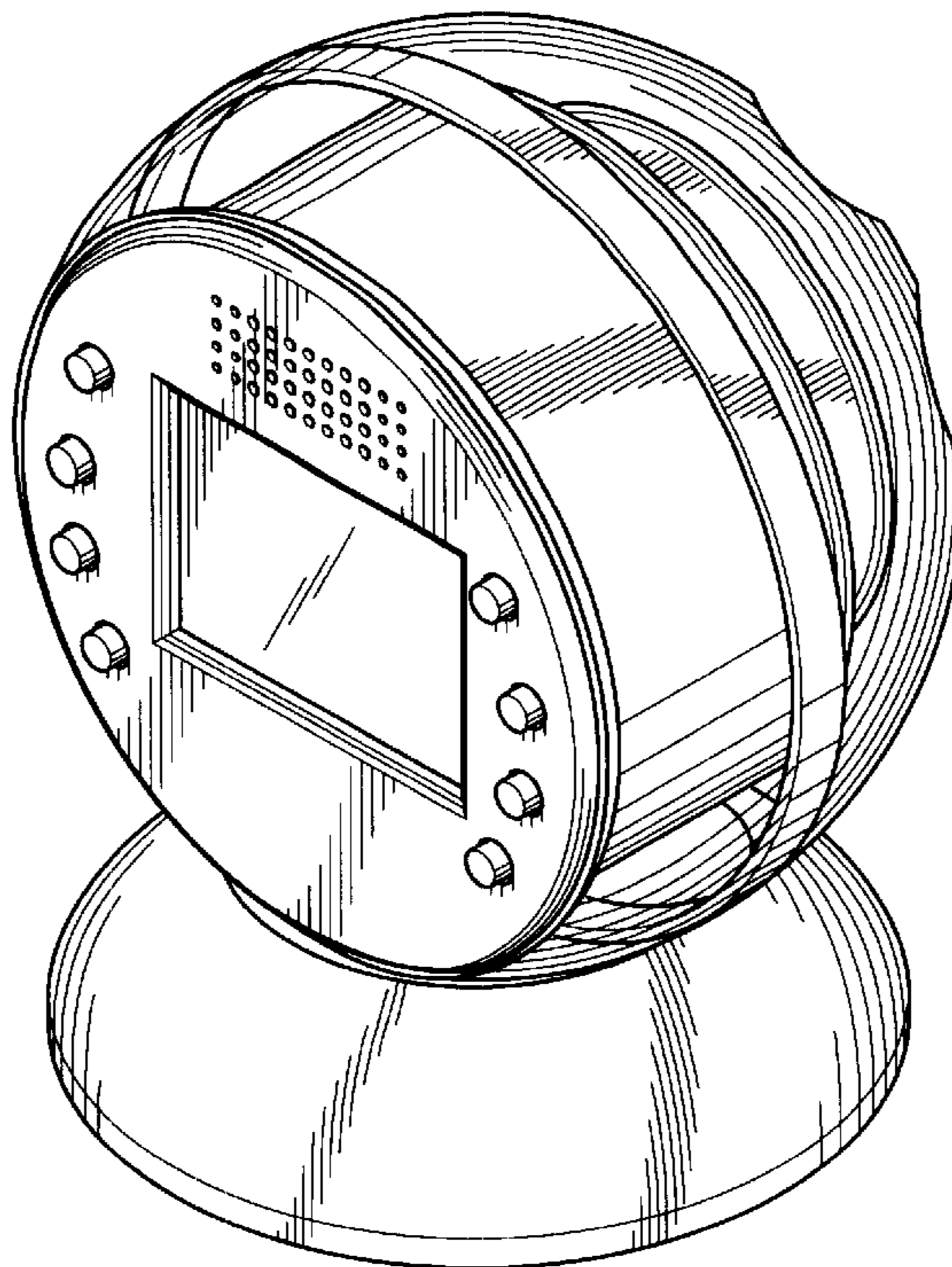


FIG. 1

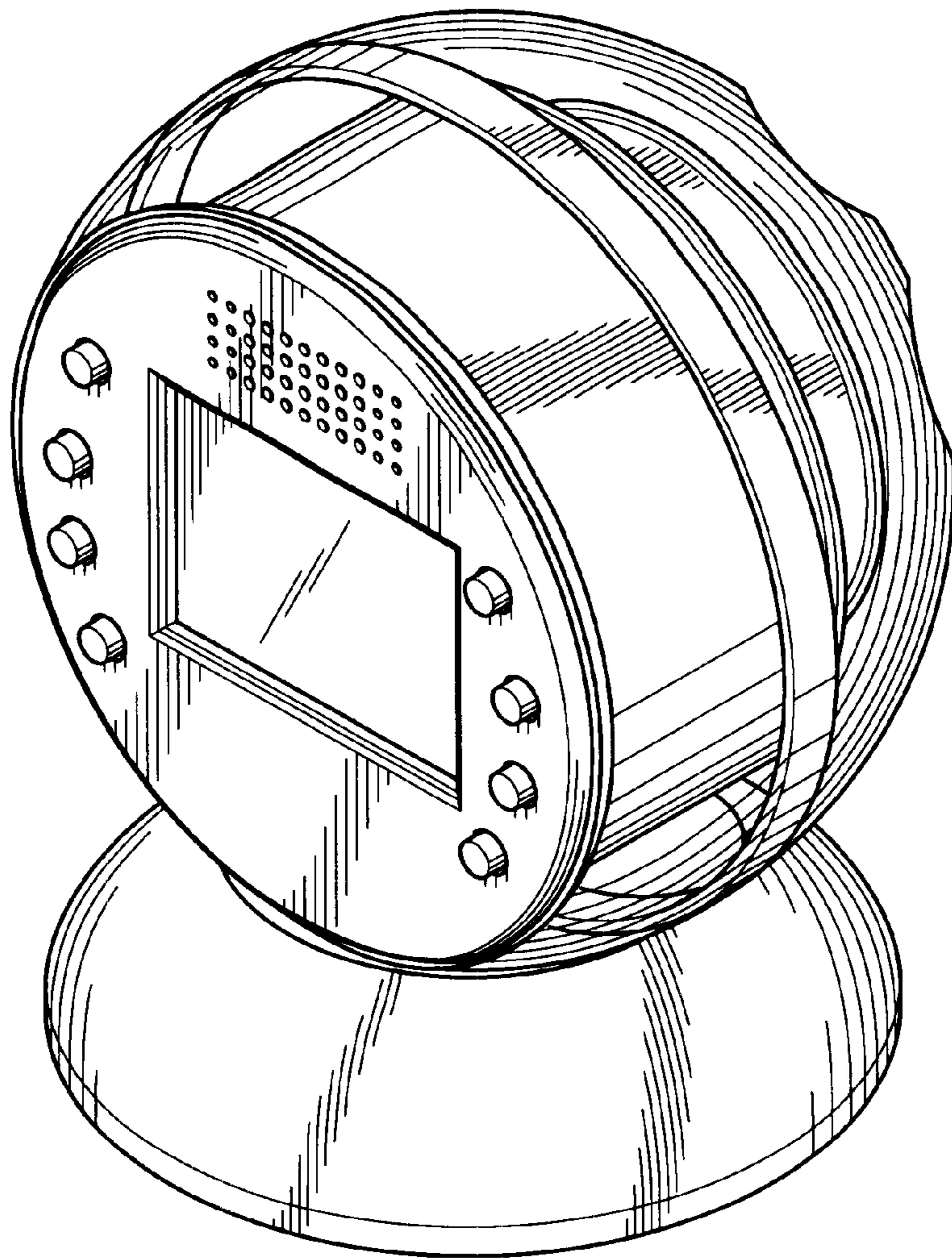


FIG. 2

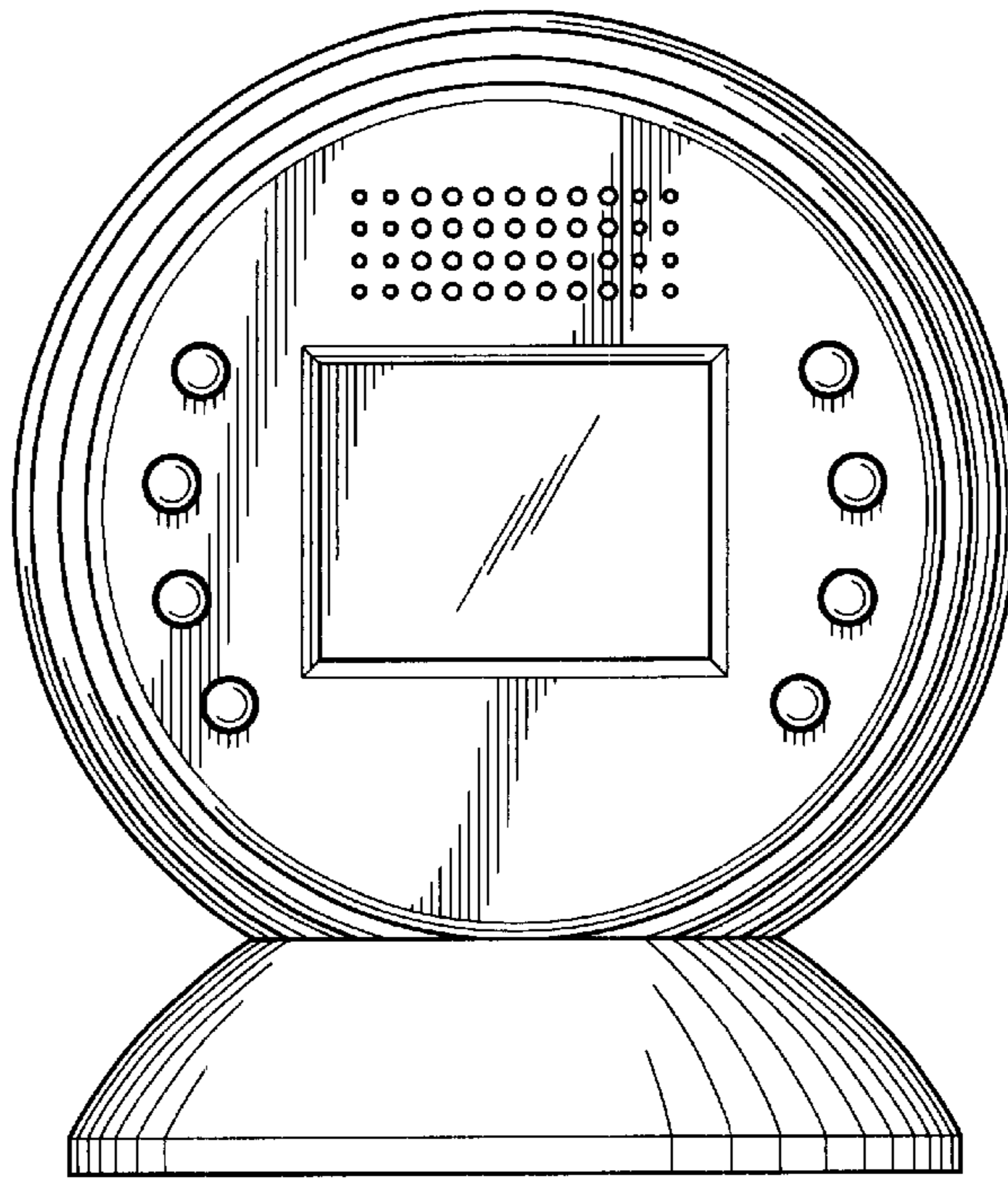


FIG. 3

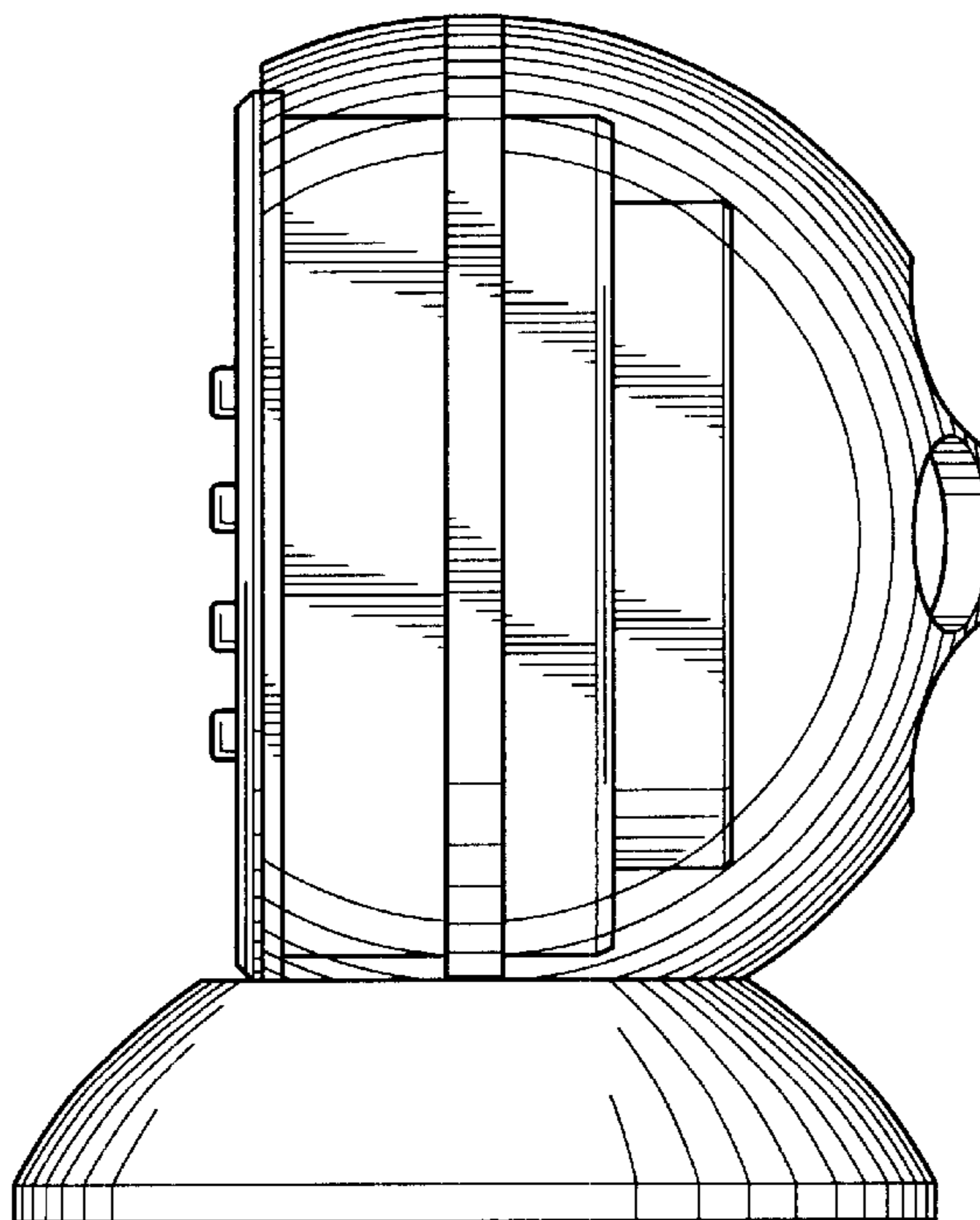


FIG. 4

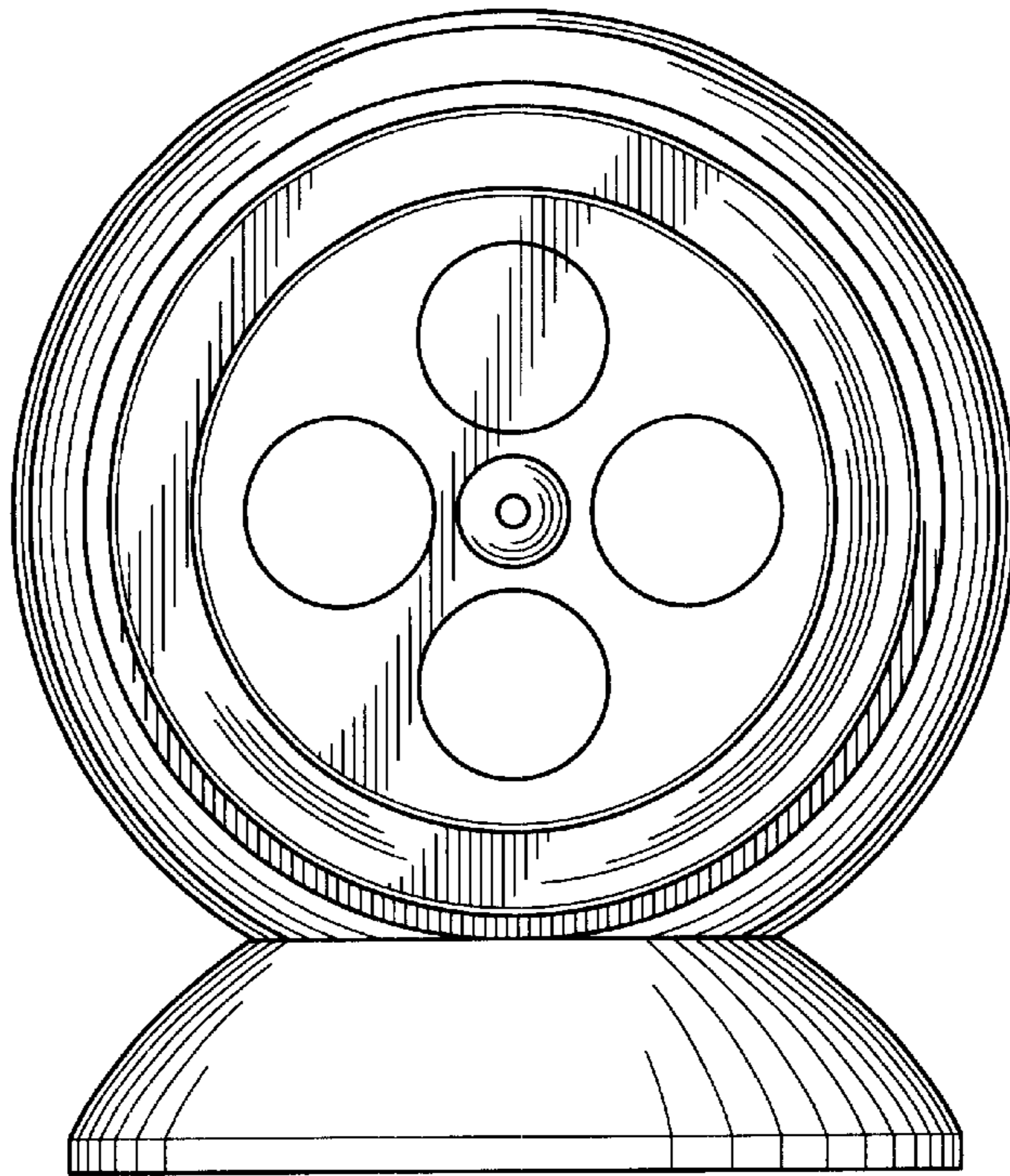


FIG. 5

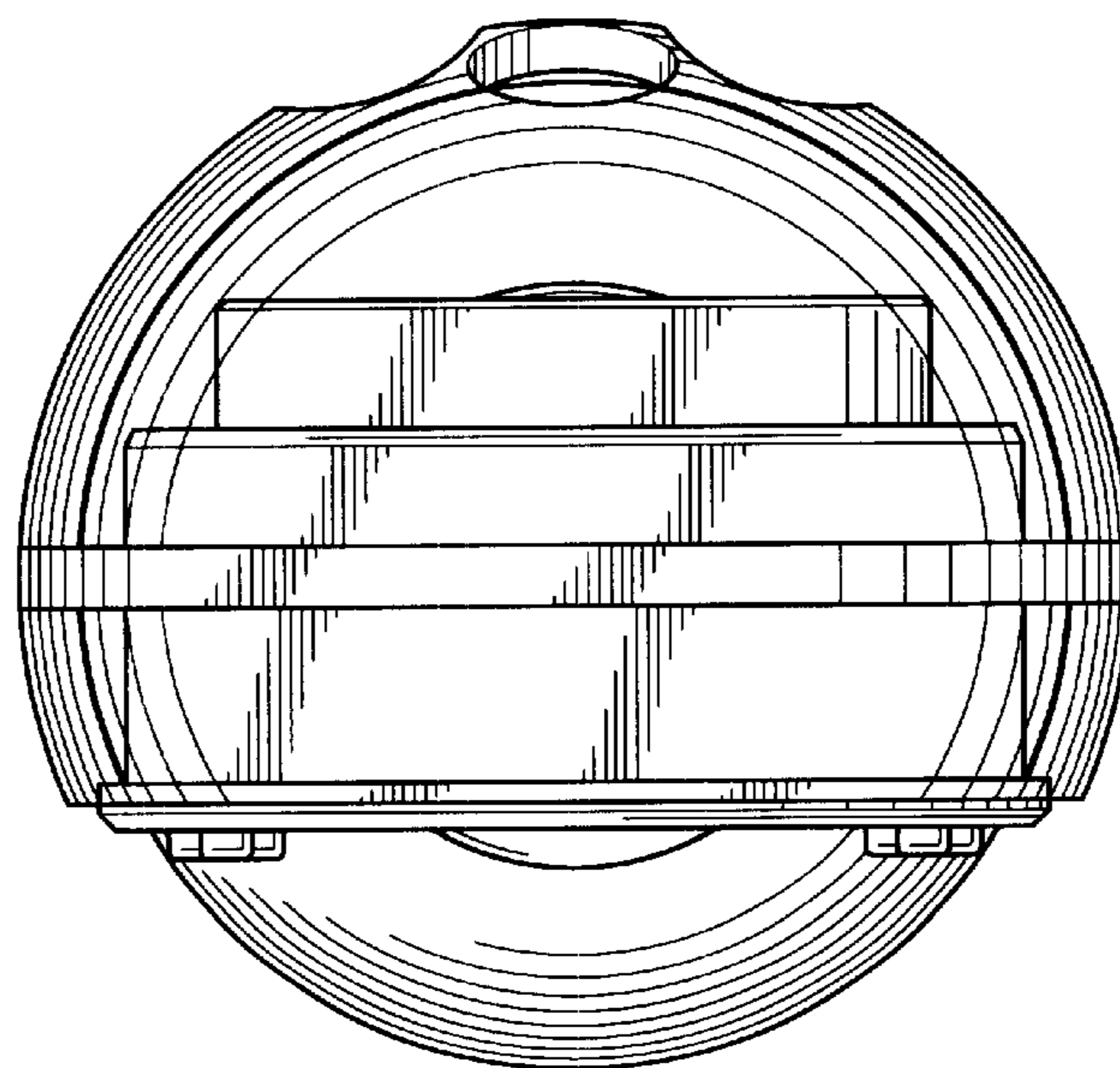


FIG. 6

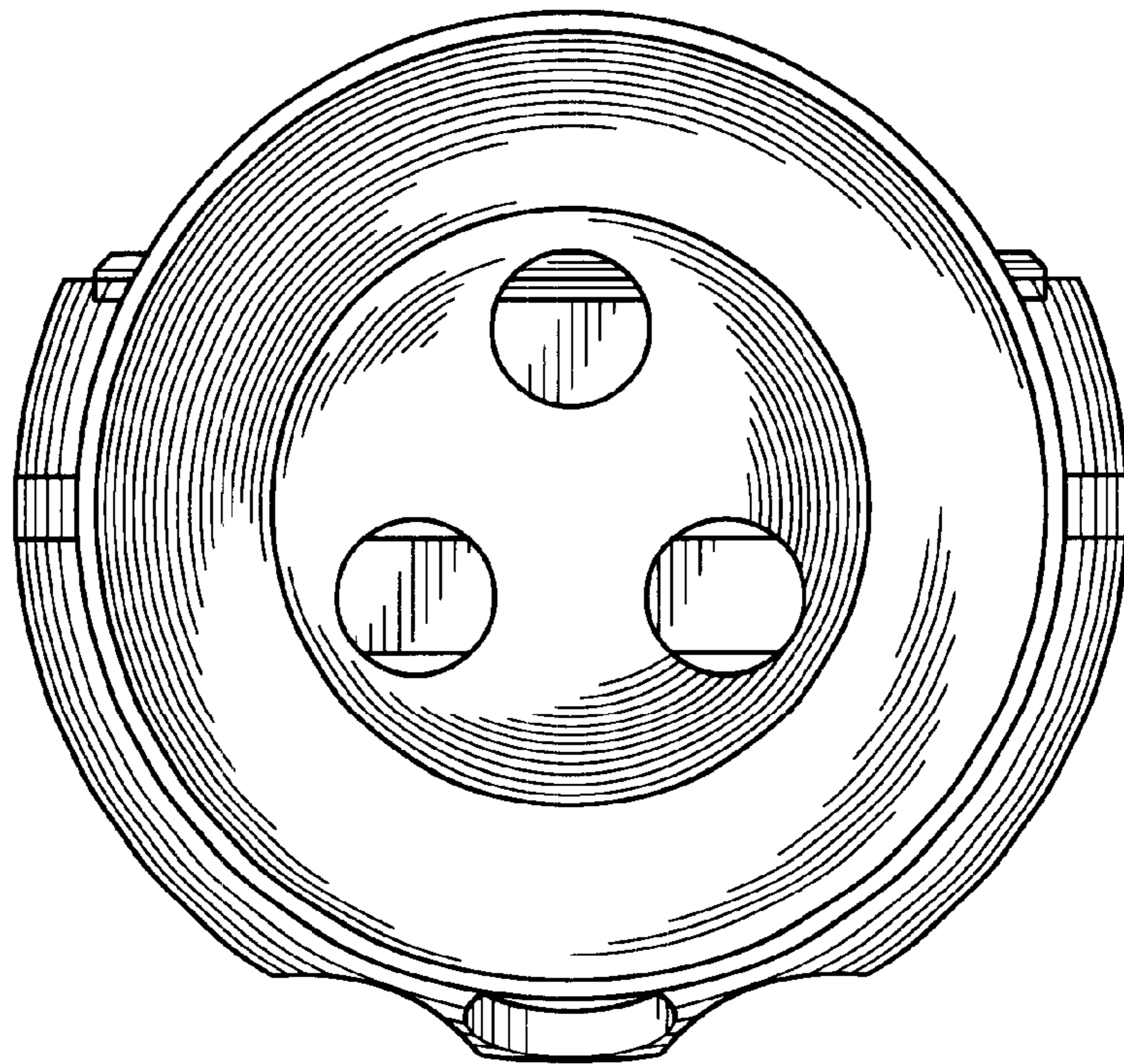


FIG. 7

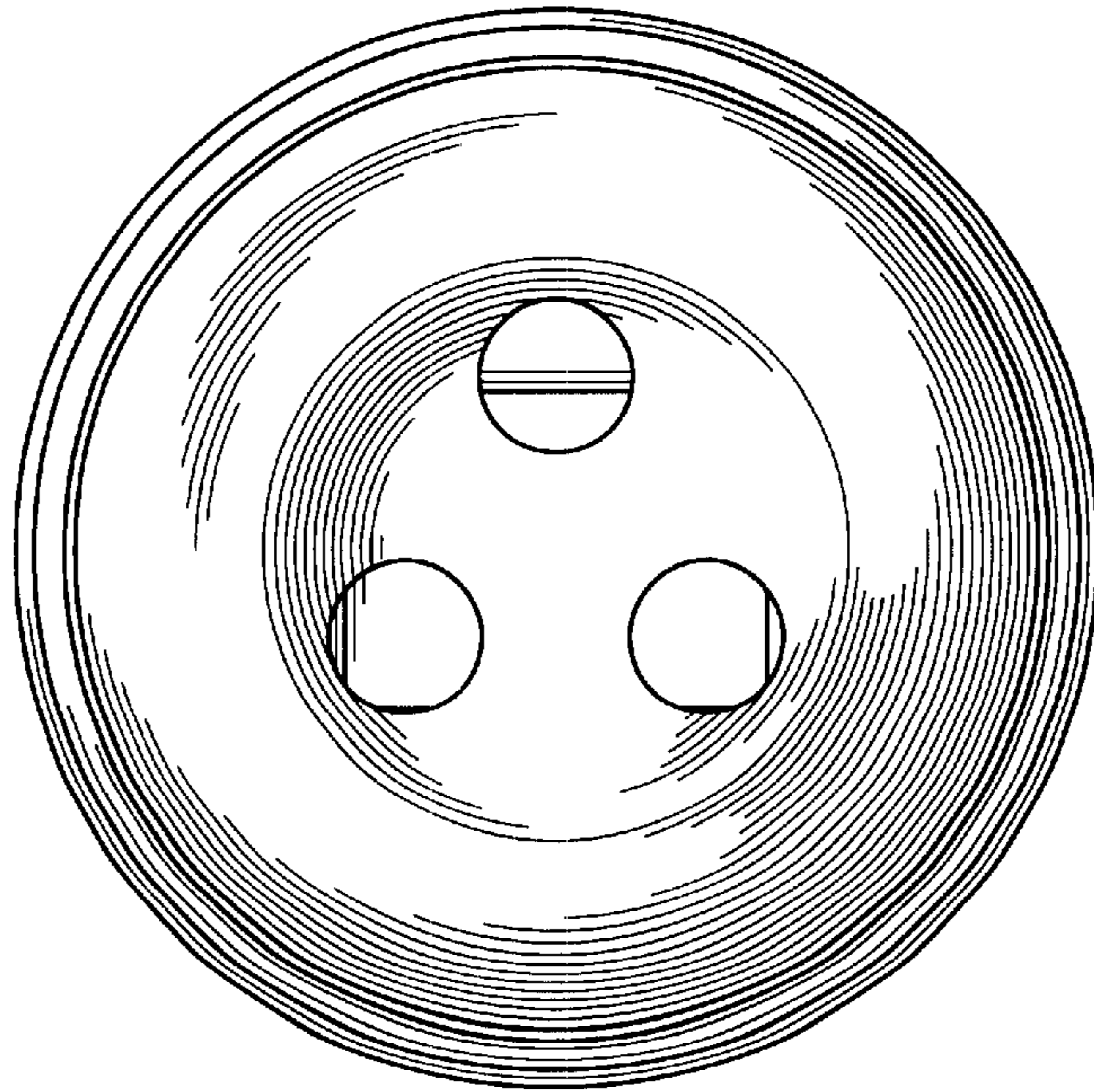


FIG. 8

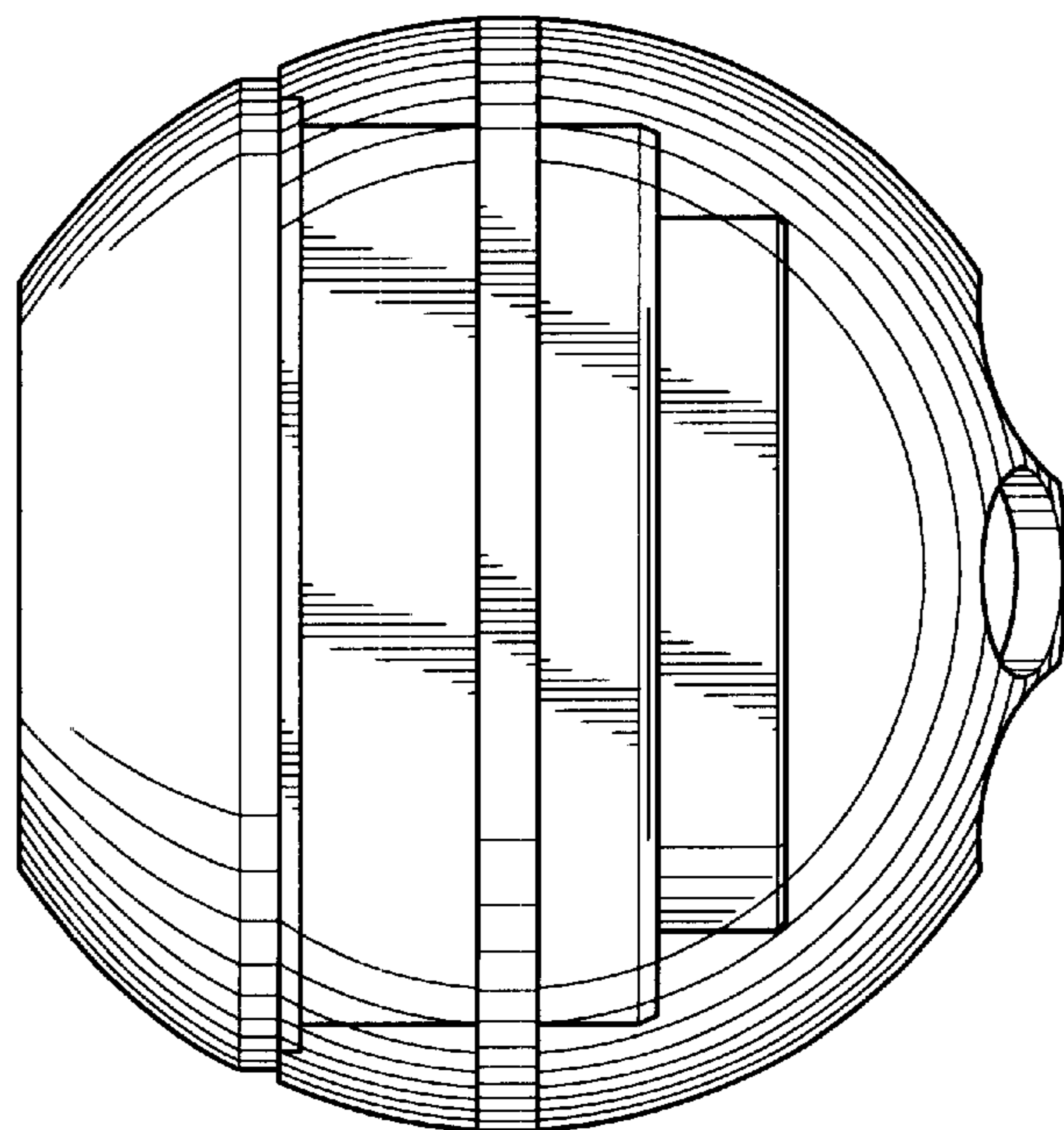


FIG. 9

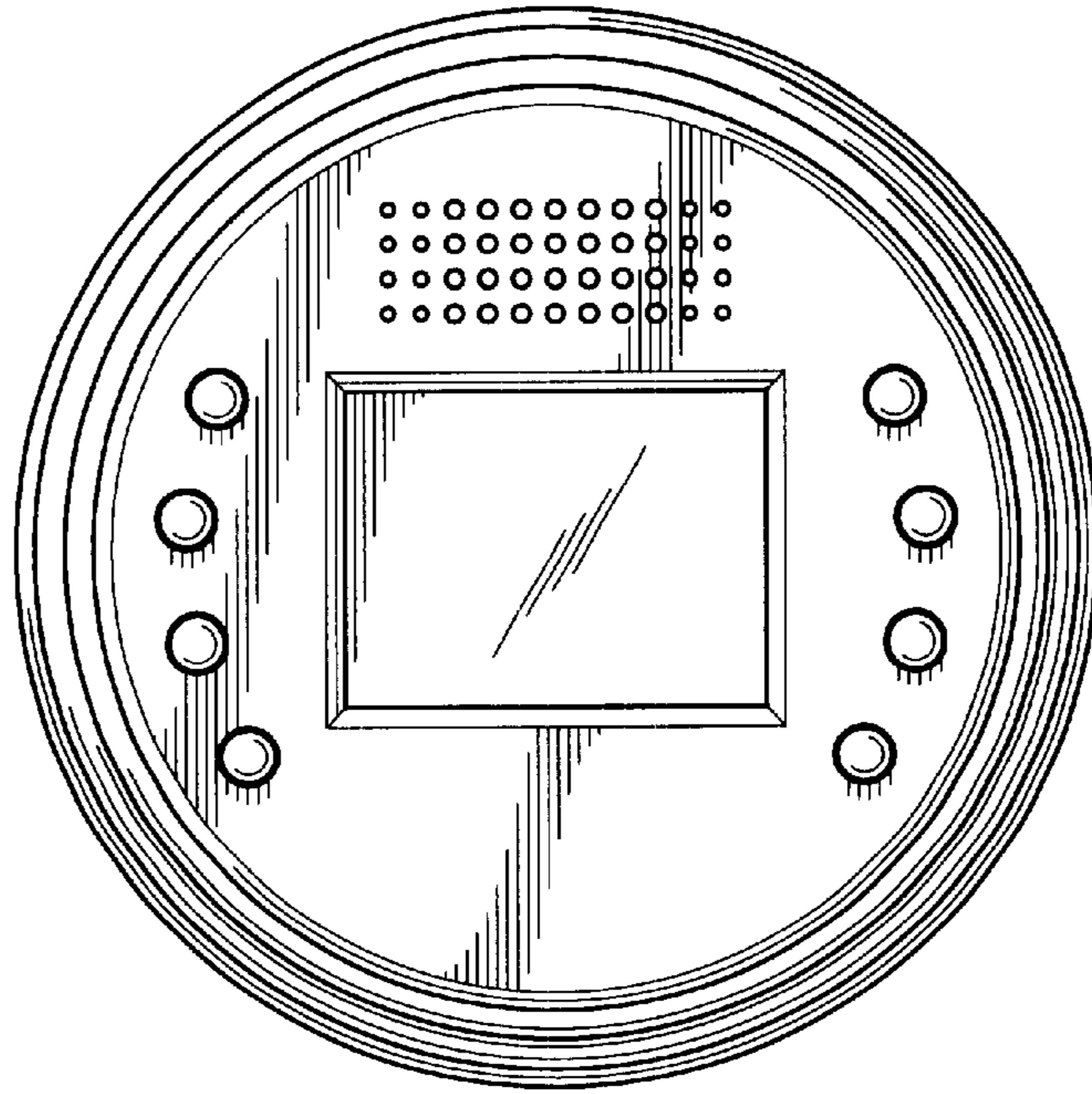


FIG. 10

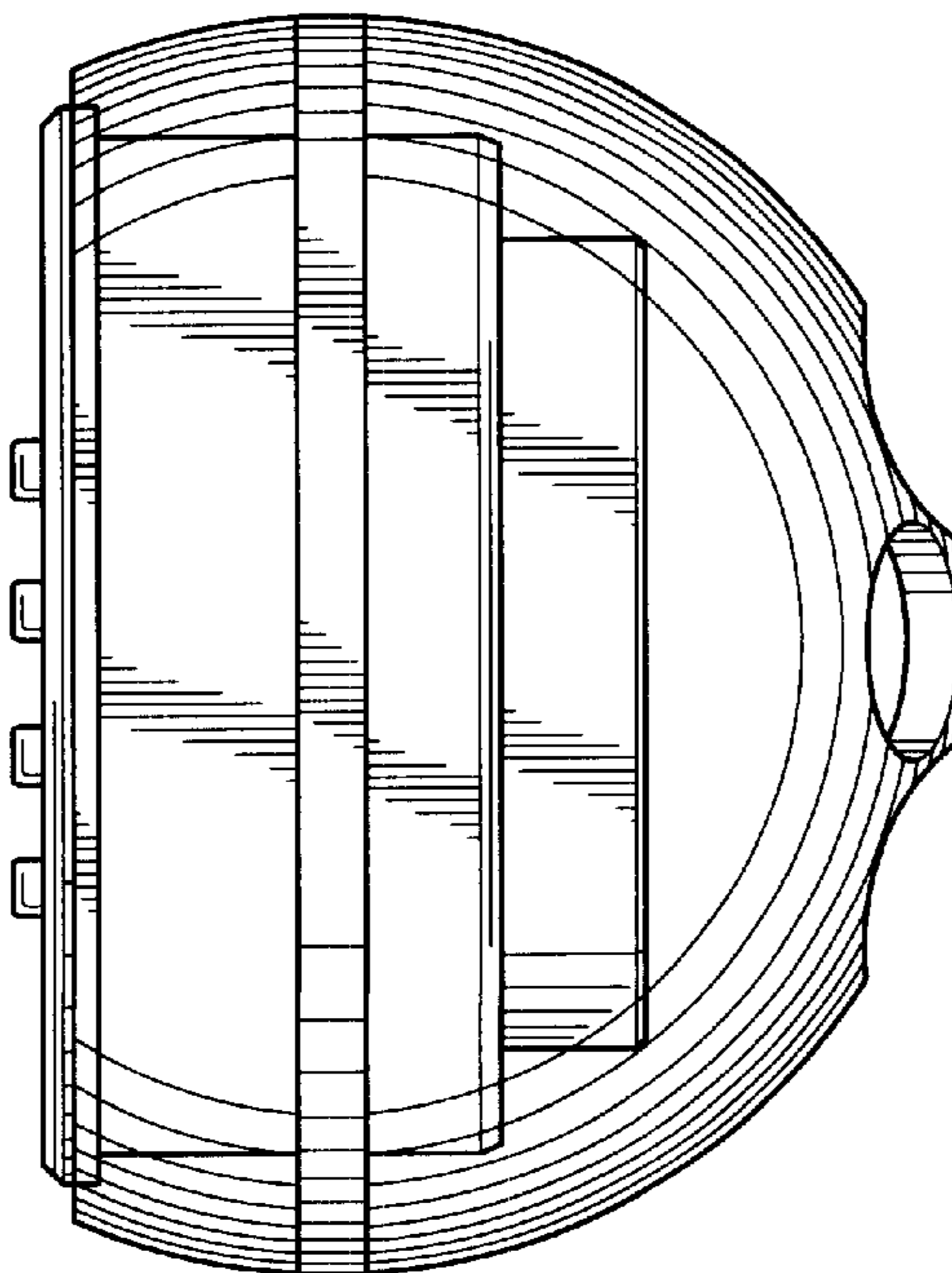


FIG. 11

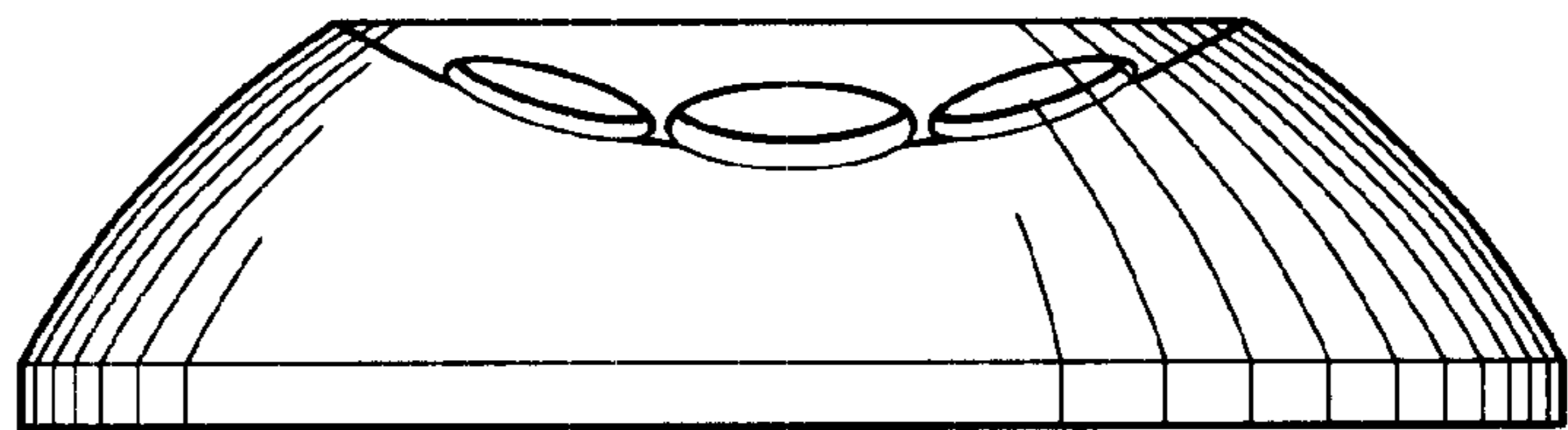


FIG. 12

