



US00D461783S

(12) **United States Design Patent**
Williams et al.

(10) **Patent No.:** **US D461,783 S**

(45) **Date of Patent:** **** Aug. 20, 2002**

(54) **SURFACE MOUNT PACKAGE**

(75) Inventors: **Richard K. Williams**, Cupertino;
James Harnden, Hollister, both of CA
(US); **Anthony Chia**, Singapore (SG);
Chu Weibing, Shanghai (CN)

(73) Assignee: **Gem Services, Inc.**, Santa Clara, CA
(US)

(**) Term: **14 Years**

(21) Appl. No.: **29/143,227**

(22) Filed: **Jun. 8, 2001**

(51) **LOC (7) Cl.** **13-03**

(52) **U.S. Cl.** **D13/182**

(58) **Field of Search** D13/182; D14/114;
257/621, 666, 669, 672, 673, 674, 676,
684, 690, 692, 696, 710, 711, 730, 731;
361/718, 742, 760, 774, 820

(56) **References Cited**

U.S. PATENT DOCUMENTS

4,984,062	A	*	1/1991	Uemira et al.	257/666
5,224,021	A	*	6/1993	Takada et al.	361/774
5,446,623	A	*	8/1995	Kanetake	361/760
5,625,226	A	*	4/1997	Kinzer	257/705
D402,638	S	*	12/1998	Farnworth et al.	D13/182
6,040,626	A	*	3/2000	Cheah et al.	257/735
6,211,462	B1	*	4/2001	Carter, Jr. et al.	174/52.4
6,249,041	B1	*	6/2001	Kasem et al.	257/666

OTHER PUBLICATIONS

Jedec Solid State Product Outlines, "Small Outline J-Lead"
(SOJ) 0.300 Body Family (MS-013 Body), Issue A, Jun.
1988, MO-088, AA-AF.

Jedec Solid State Product Outline, Low Profile Small Out-
line J-Lead Package (LSOJ), PRSO-J/LSOJ, Issue B, Jun.,
1999, MO-199, pp. 1-5.

Jedec Solid State Product Outlines, "Plastic Small Outline
(SOJ) Package Family with 0.330 Inch Body Width", Issue
B, May, 1992, MO-121, pp. 1-2.

* cited by examiner

Primary Examiner—Ted Shooman

Assistant Examiner—Selina Sikder

(74) *Attorney, Agent, or Firm*—Townsend & Townsend &
Crew LLP

(57) **CLAIM**

The ornamental design for a surface mount package, as
shown and described.

DESCRIPTION

FIG. 1 is a perspective view of a surface mount package
showing our new design;

FIG. 2 is a top plan view thereof;

FIG. 3 is a bottom plan view thereof;

FIG. 4 is a front elevational view thereof;

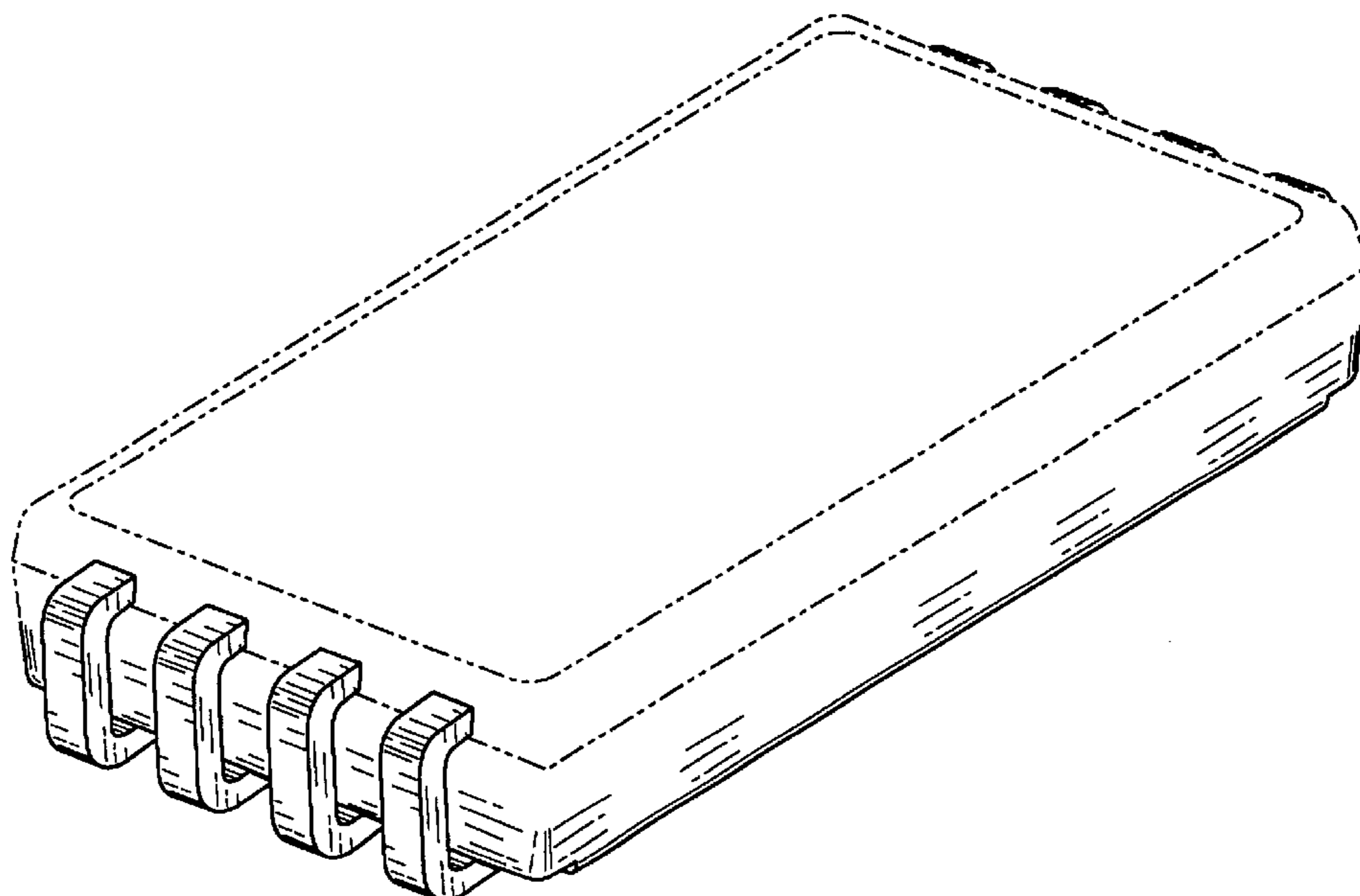
FIG. 5 is a rear elevational view thereof;

FIG. 6 is a left side elevational view thereof; and,

FIG. 7 the right side elevational view thereof.

The broken line showing of the environment is for illustra-
tive purpose only and forms no part of the claimed design.

1 Claim, 3 Drawing Sheets



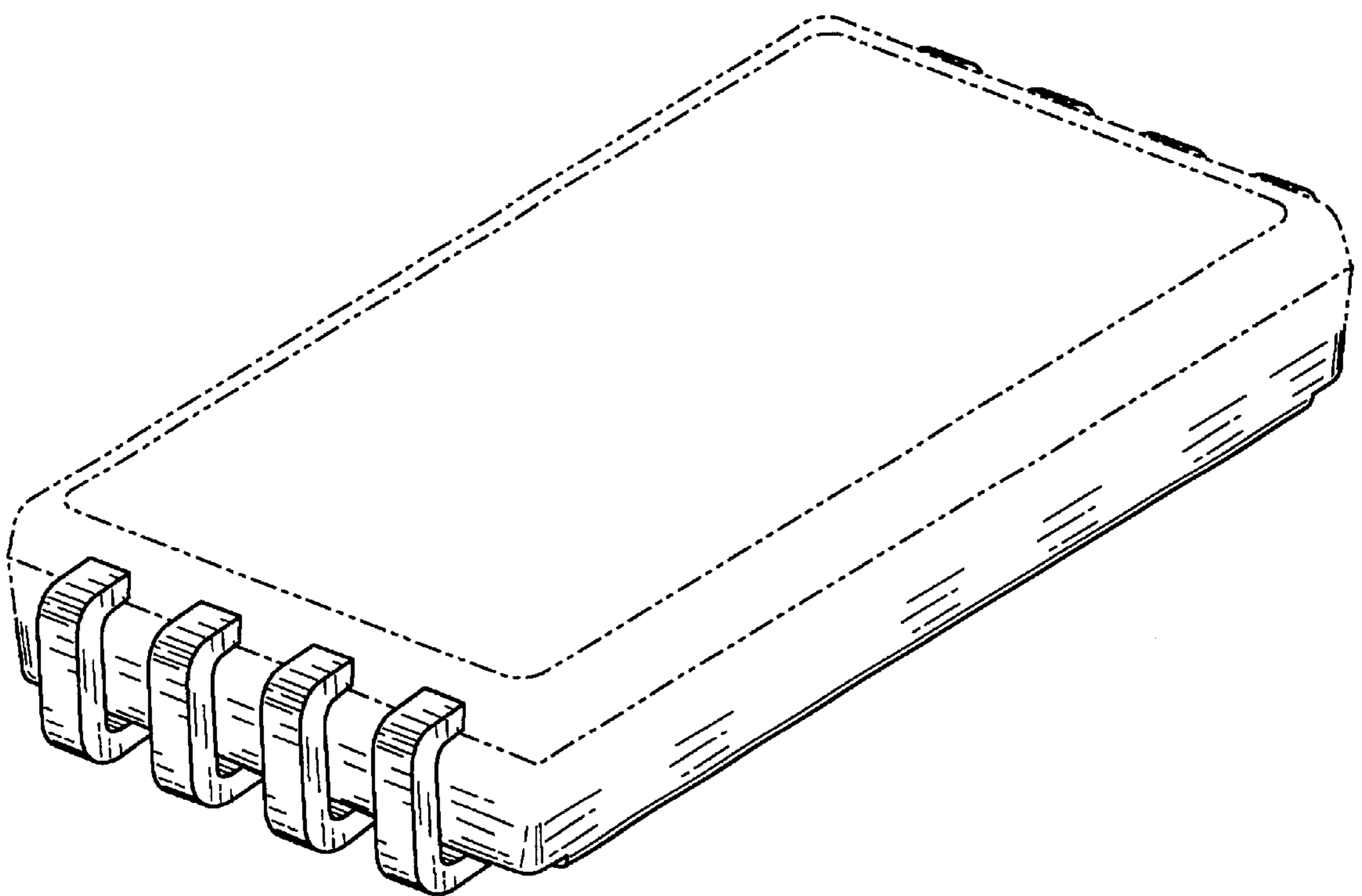


FIG. 1



FIG. 2

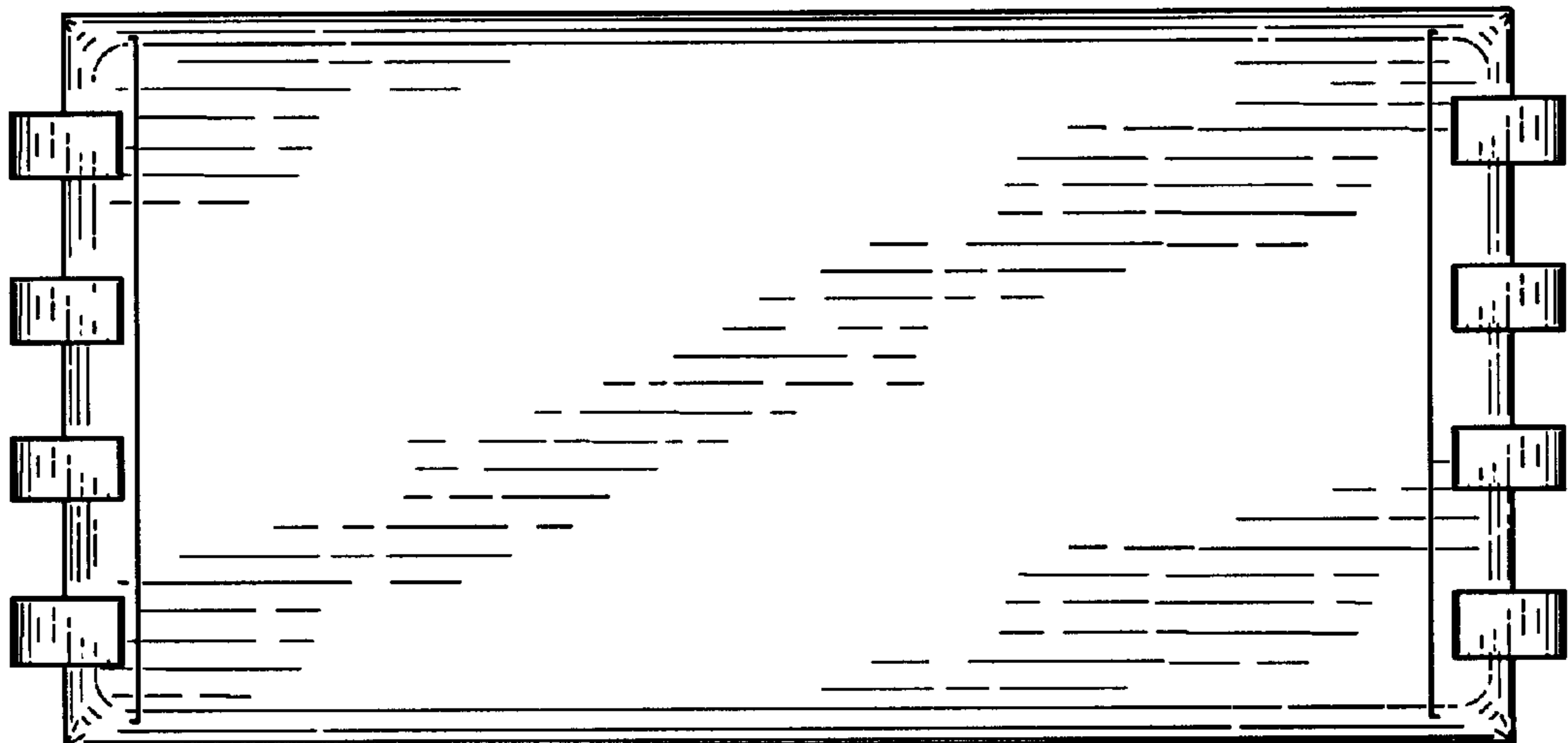


FIG. 3

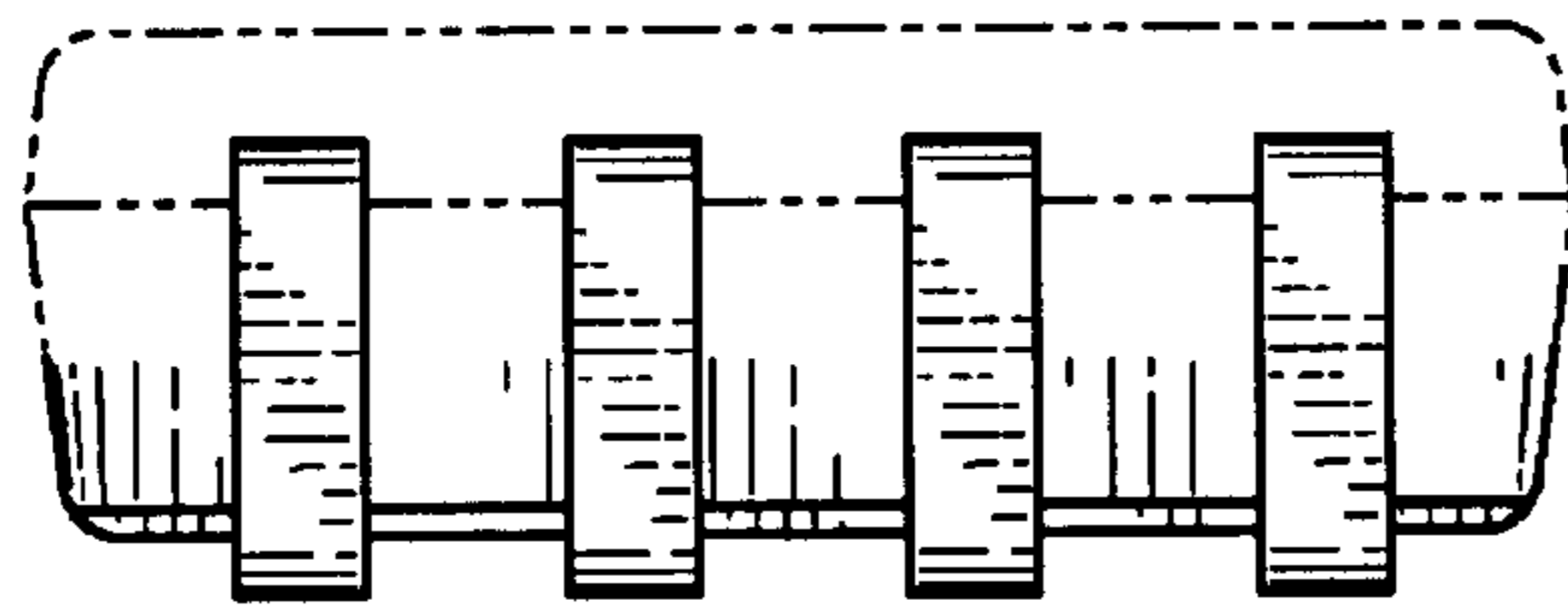


FIG. 4

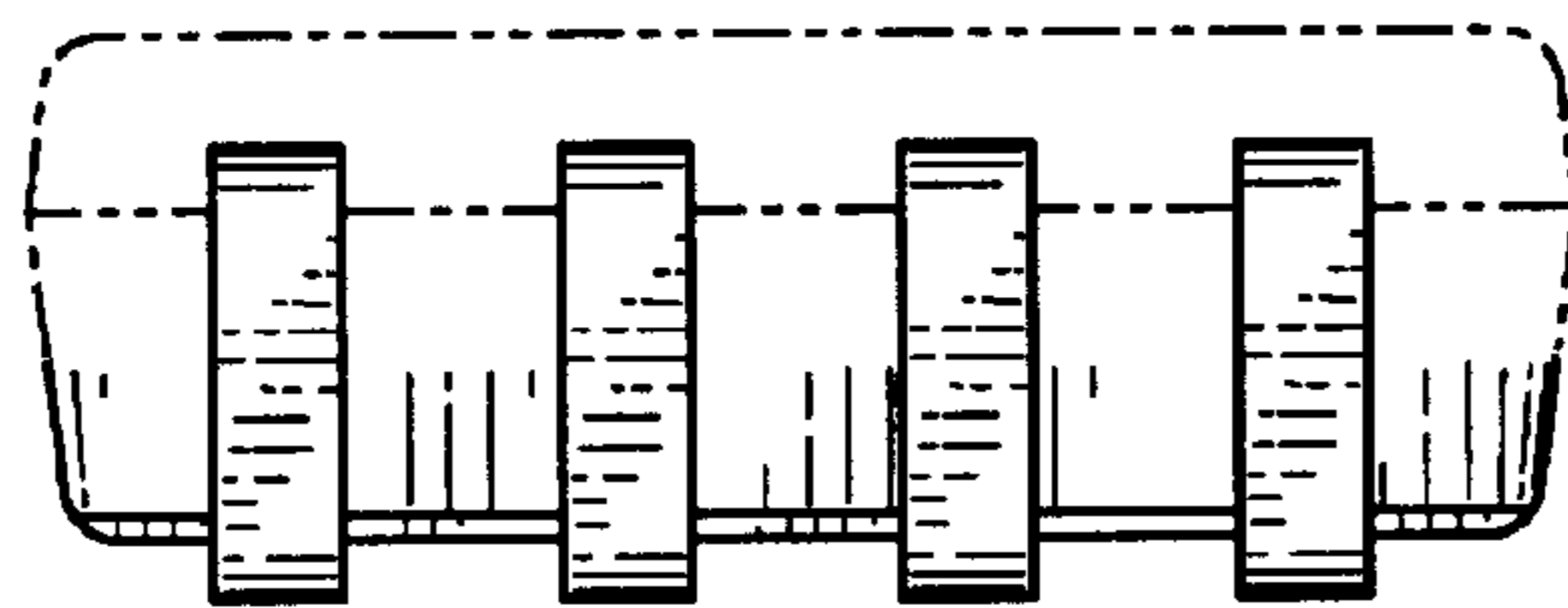


FIG. 5

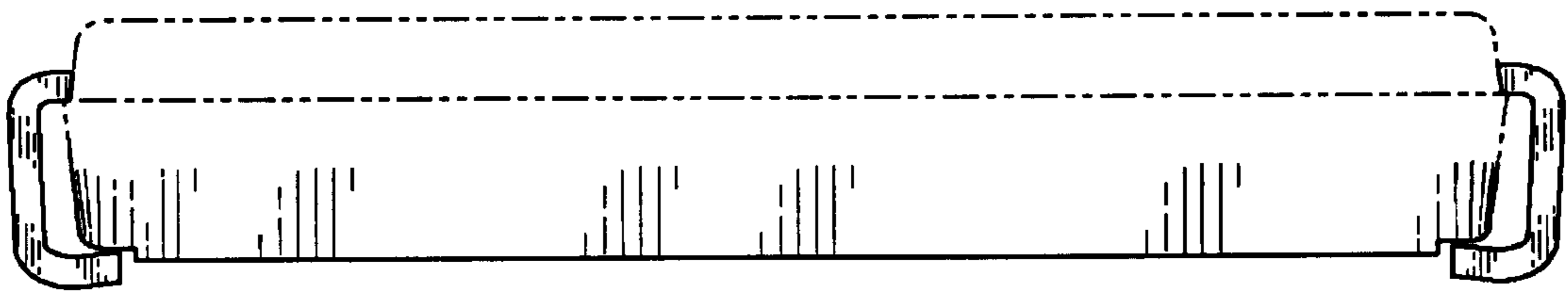


FIG. 6

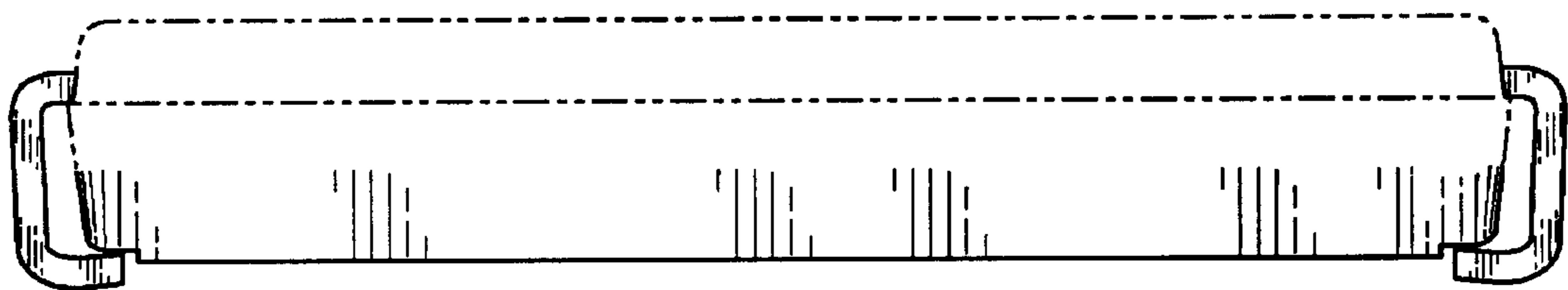


FIG. 7