



US00D461782S

(12) **United States Design Patent**
Butler et al.

(10) **Patent No.:** **US D461,782 S**

(45) **Date of Patent:** **** Aug. 20, 2002**

(54) **BUTTONS FOR A LIGHTING CONTROL**
(75) Inventors: **Nathan J. Butler**, Harleysville; **Noel Mayo**, Philadelphia; **Joel S. Spira**, Coopersburg; **Matthew J. Timmes**, Allentown, all of PA (US)

D412,155 S 7/1999 Gatchell et al.
D412,315 S 7/1999 Mayo et al.
D412,491 S 8/1999 Mayo et al.
D412,492 S 8/1999 Gatchell et al.
D421,246 S 2/2000 Mayo et al.
D422,567 S 4/2000 Mayo et al.
D436,930 S 1/2001 Butler

(73) Assignee: **Lutron Electronics Co., Inc.**, Coopersburg, PA (US)

Primary Examiner—Ted Shooman
Assistant Examiner—Selina Sikder
(74) *Attorney, Agent, or Firm*—Mark E. Rose

(**) Term: **14 Years**

(57) **CLAIM**

(21) Appl. No.: **29/150,941**
(22) Filed: **Nov. 29, 2001**

The ornamental design for buttons for a lighting control, as shown and described.

Related U.S. Application Data

DESCRIPTION

(62) Division of application No. 29/122,971, filed on May 8, 2000, now Pat. No. Des. 453,742.
(51) **LOC (7) Cl.** **13-03**
(52) **U.S. Cl.** **D13/171**
(58) **Field of Search** D8/350, 351, 352, D8/353; D13/162, 164, 170, 171, 174, 177; 174/48, 52.1, 66, 67; 200/42.01, 237, 293, 308; 315/291, 295

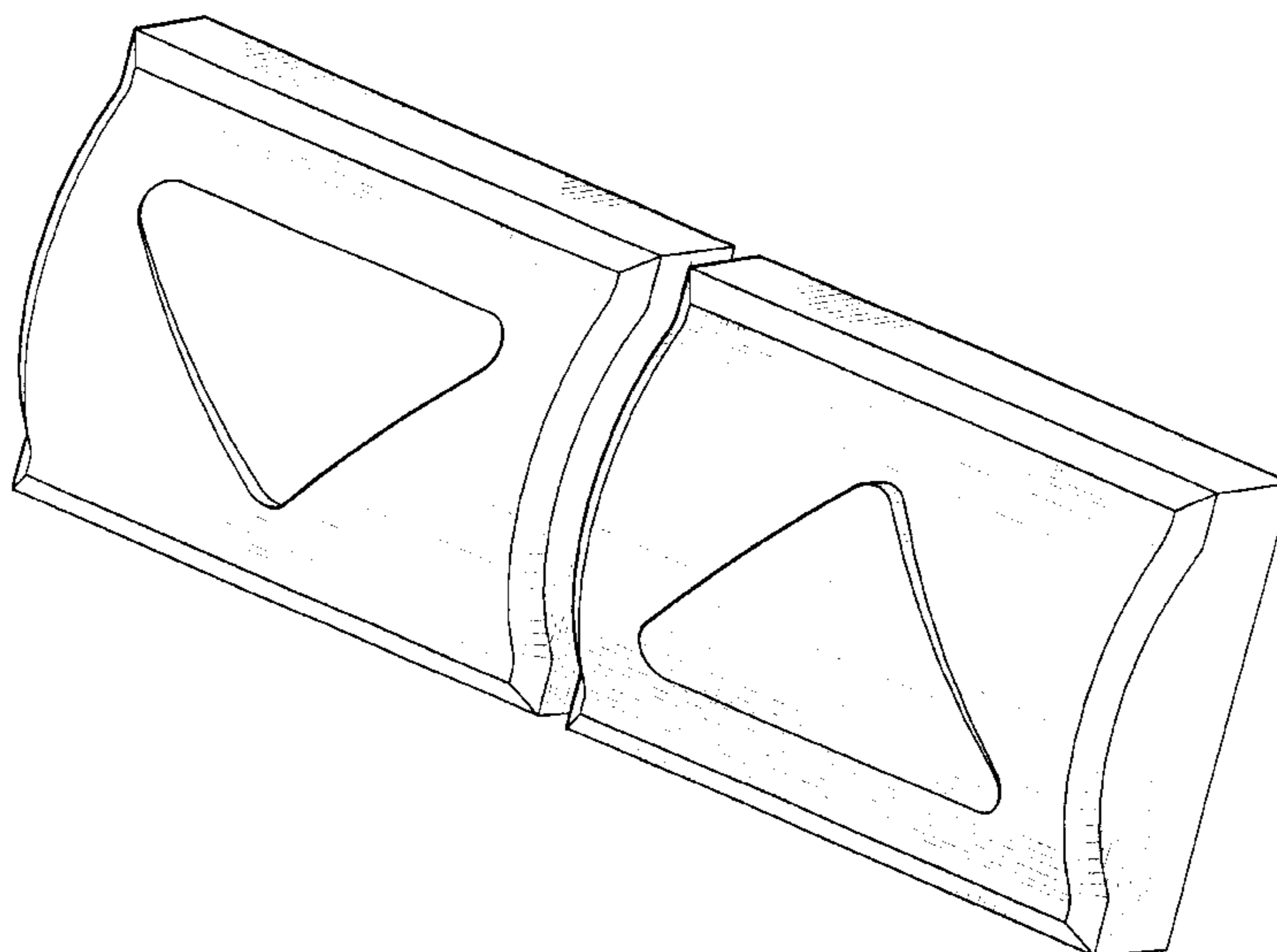
FIG. 1 is an enlarged top, front, and right side perspective view of a first embodiment of a pair of buttons for a lighting control;
FIG. 2 is a top plan view of the right button of FIG. 1;
FIG. 3 is a front elevational view thereof;
FIG. 4 is a bottom plan view thereof;
FIG. 5 is a left side elevational view thereof;
FIG. 6 is a right side elevational thereof;
FIG. 7 is a top plan view of the left button of FIG. 1;
FIG. 8 is a front elevational view thereof;
FIG. 9 is a bottom plan view thereof;
FIG. 10 is a left side elevational view thereof;
FIG. 11 is a right side elevational thereof;
FIG. 12 is an enlarged top, front, and right side perspective view of a second embodiment of the pair of buttons for a lighting control;
FIG. 13 is a top plan view of the right button of FIG. 12;
FIG. 14 is a front elevational view thereof;
FIG. 15 is a bottom plan view thereof;
FIG. 16 is a left side elevational view thereof; and,
FIG. 17 is a right side elevational thereof.
The left button of FIG. 12, is identical to the right button of FIG. 12 and is rotated 180 degrees with respect thereto.

(56) **References Cited**

U.S. PATENT DOCUMENTS

D183,395 S 8/1958 Koch
D184,263 S 1/1959 McCarthy
D297,405 S 8/1988 Yandek et al.
D297,508 S 9/1988 Yandek et al.
D311,382 S 10/1990 Mayo et al.
D311,485 S 10/1990 Jacoby et al.
D311,678 S 10/1990 Graef et al.
D315,546 S 3/1991 Mongeau
D320,786 S 10/1991 Darnell et al.
D327,657 S 7/1992 Marcou et al.
D353,798 S 12/1994 Bryde et al.
D378,814 S 4/1997 Adams et al.
D380,737 S 7/1997 Weir et al.

1 Claim, 5 Drawing Sheets



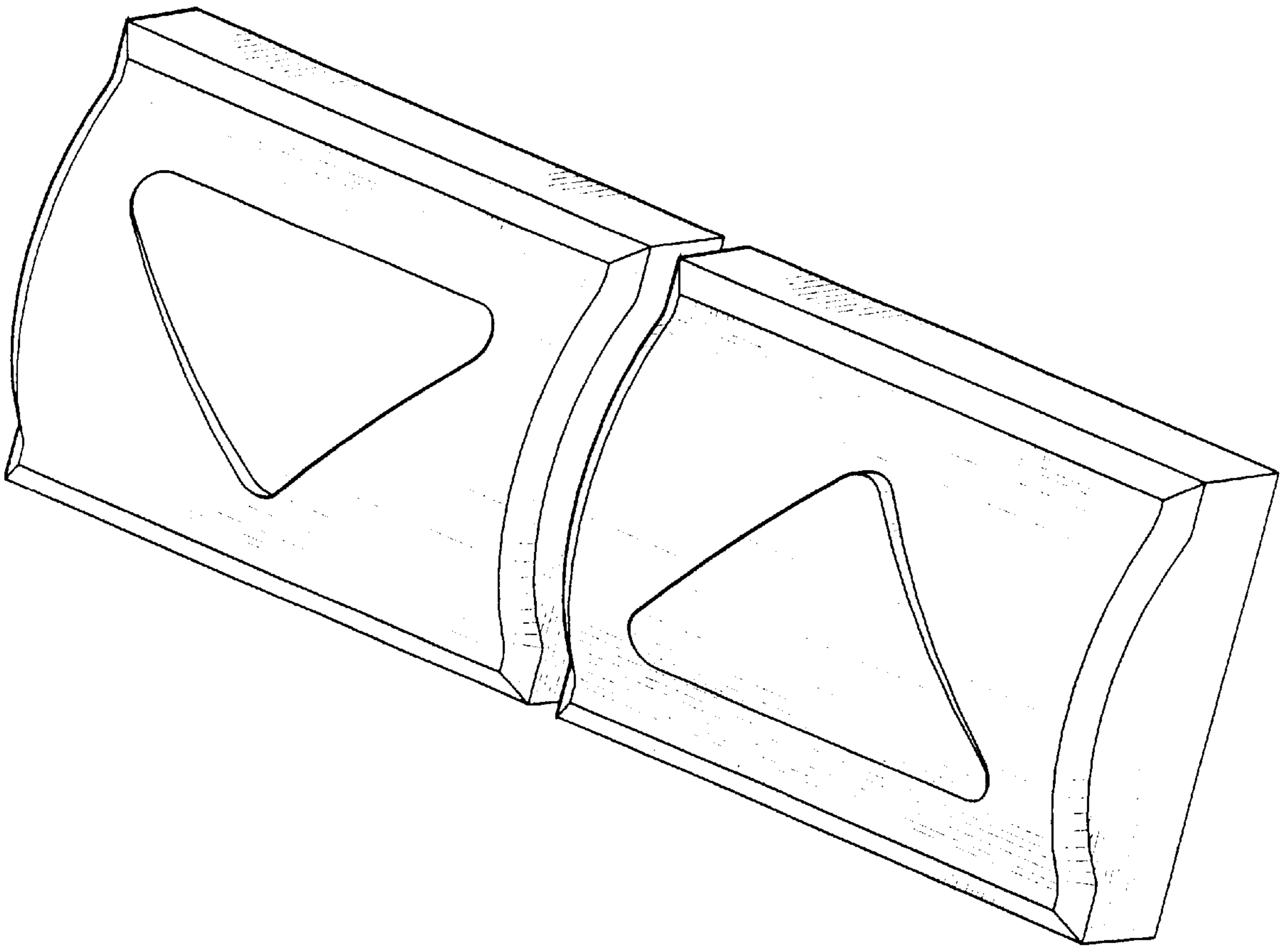


FIG. 1

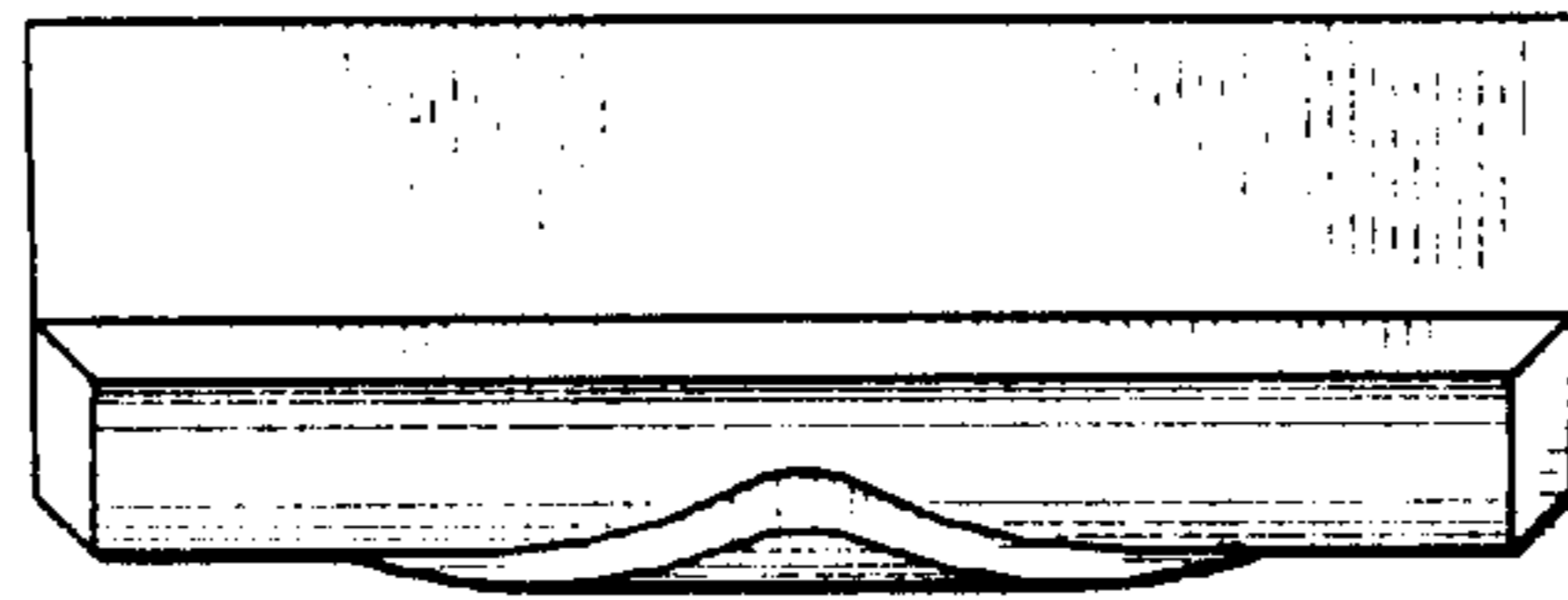


FIG. 2

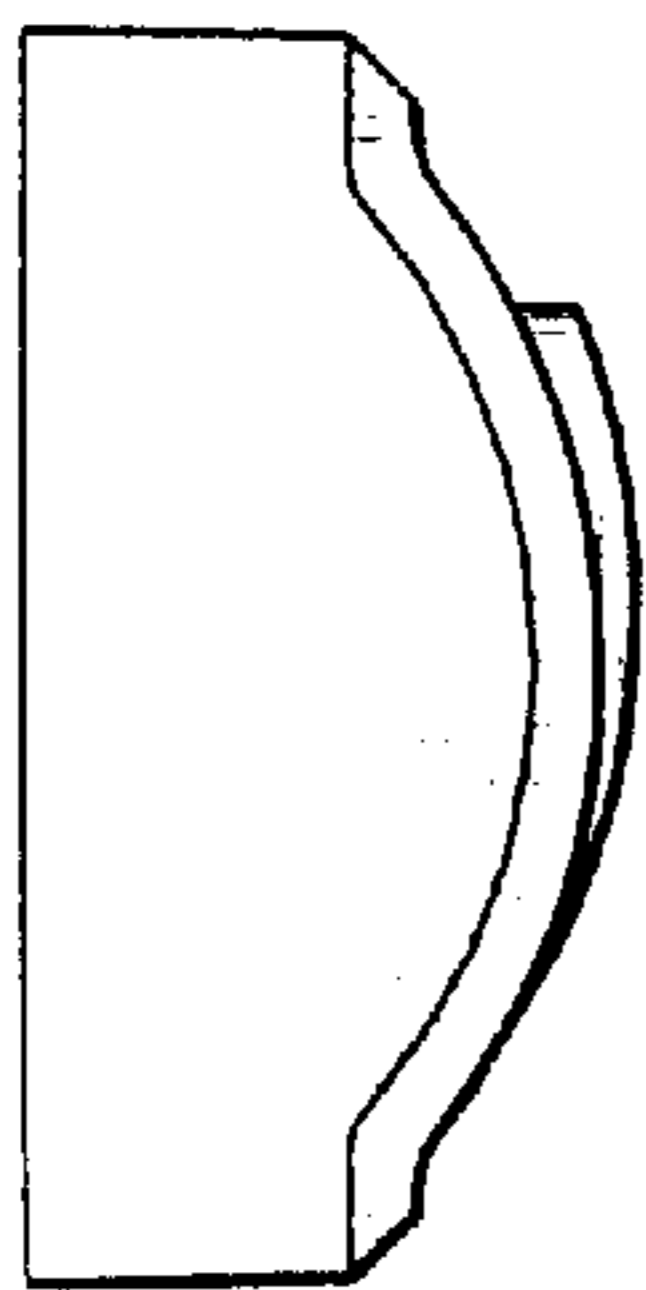


FIG. 5

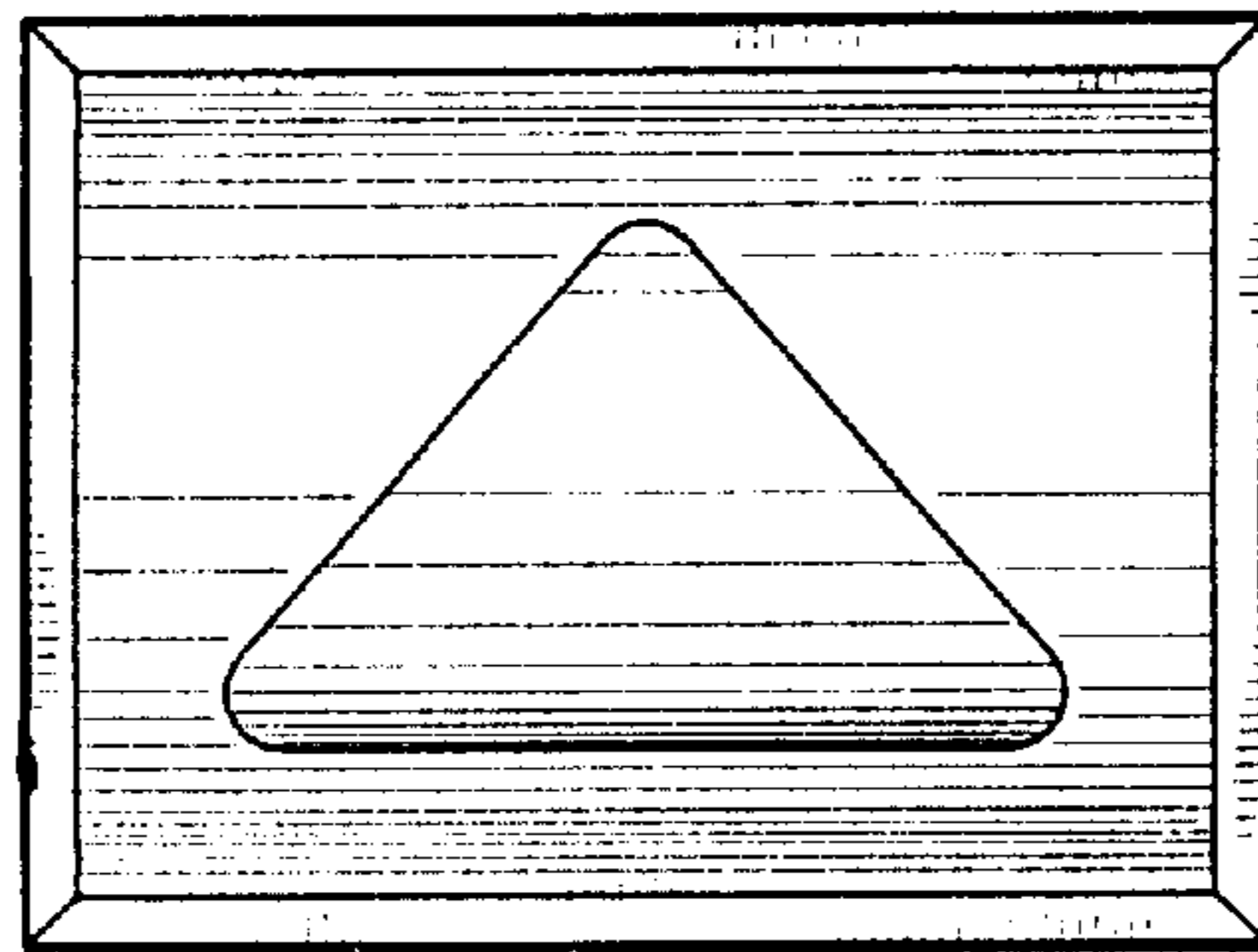


FIG. 3

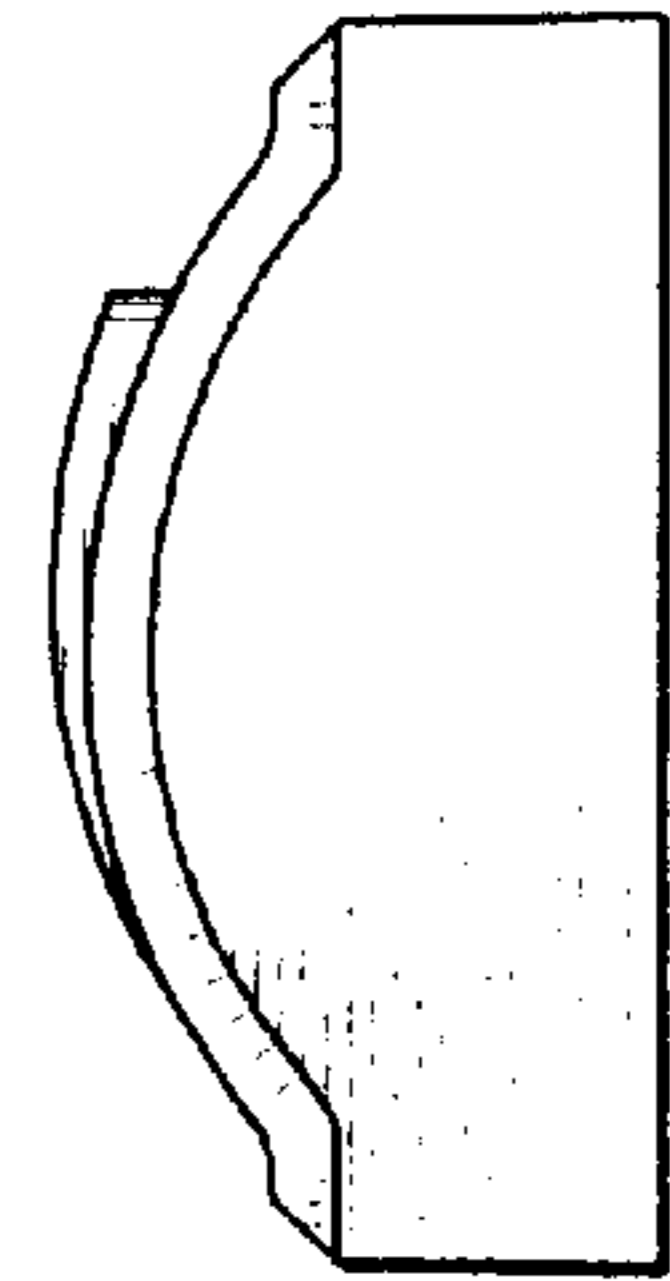


FIG. 6

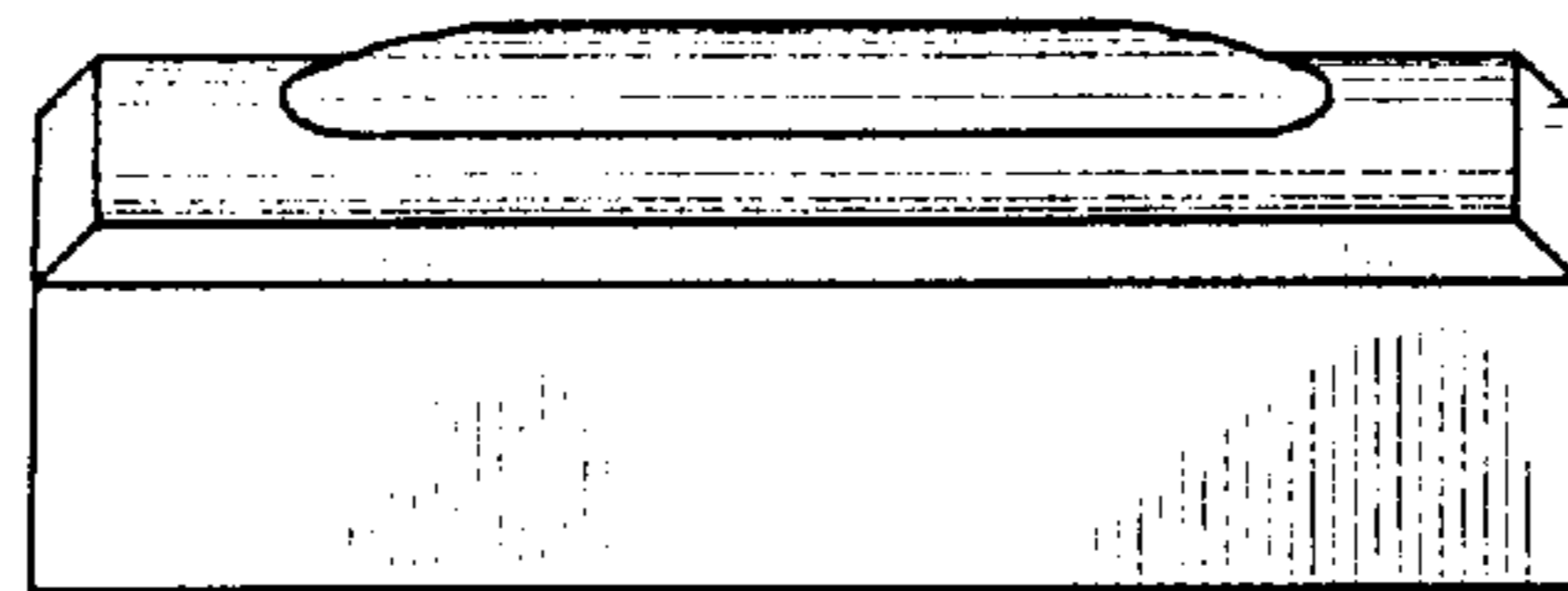


FIG. 4

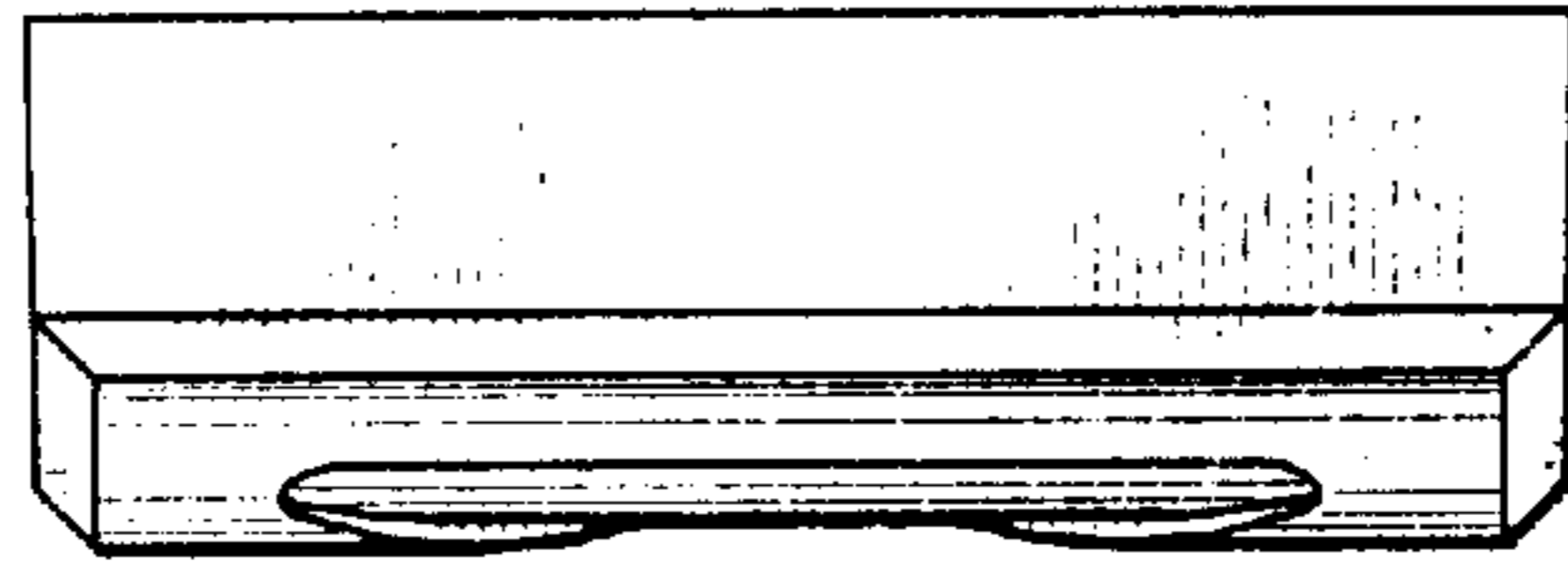


FIG. 7

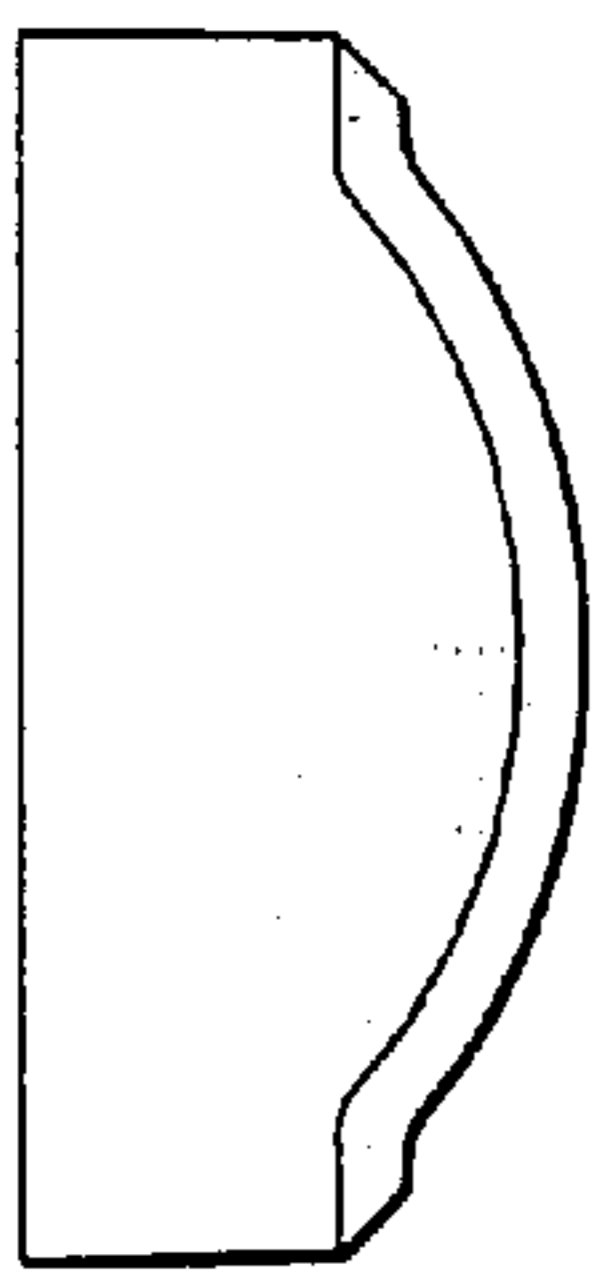


FIG. 10

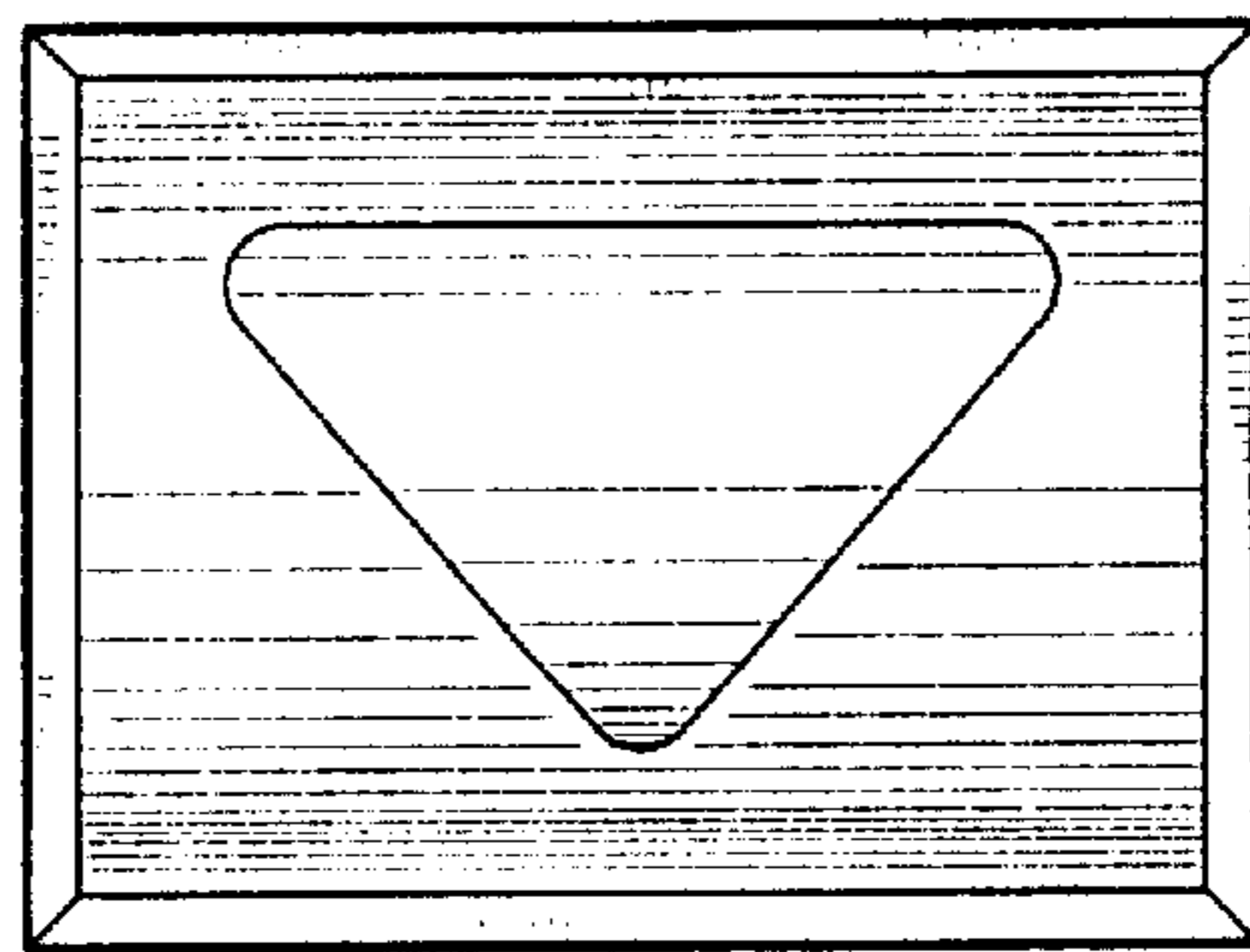


FIG. 8

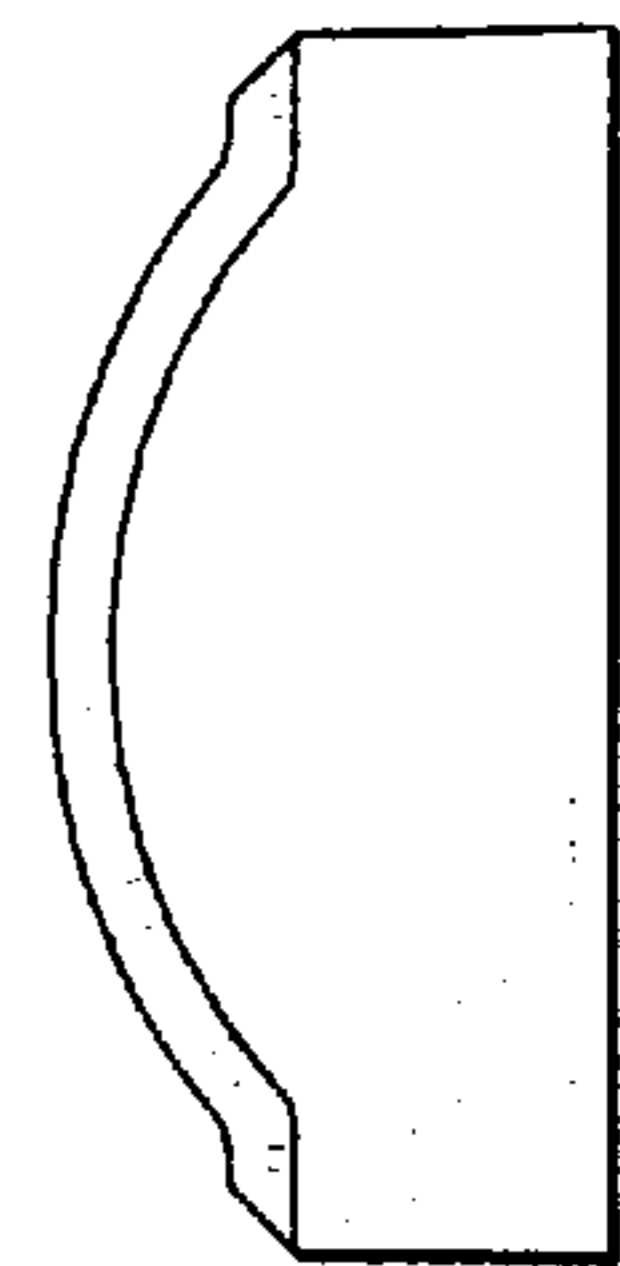


FIG. 11

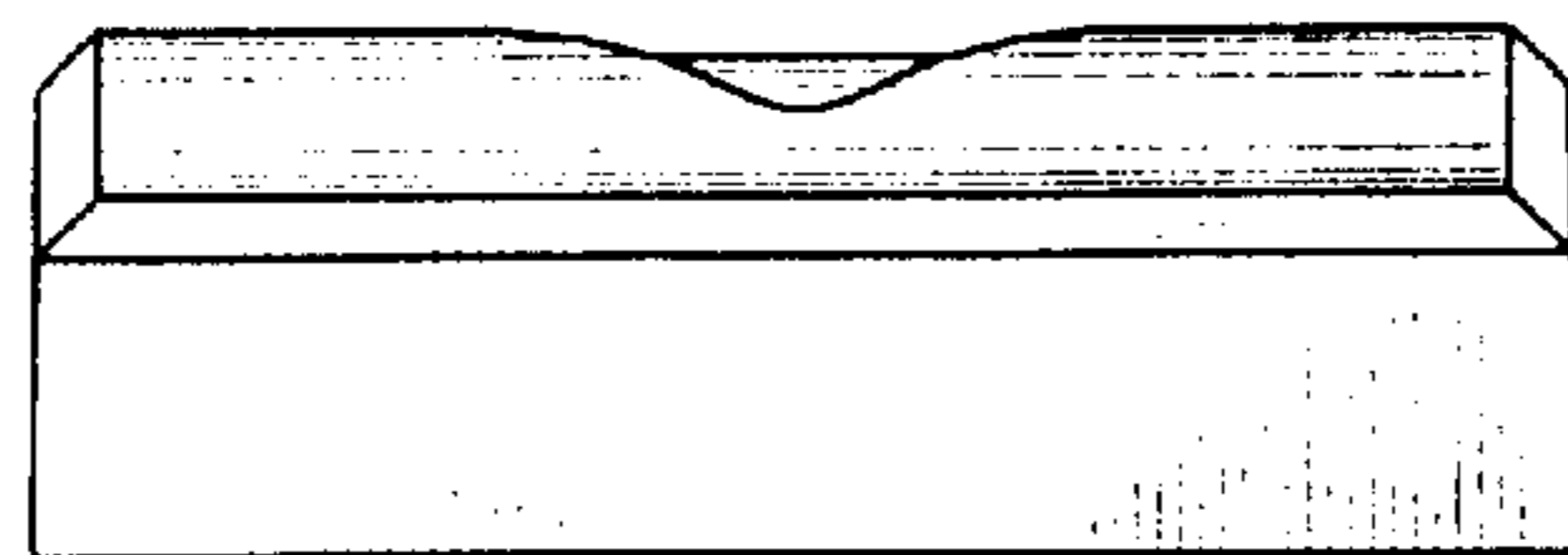


FIG. 9

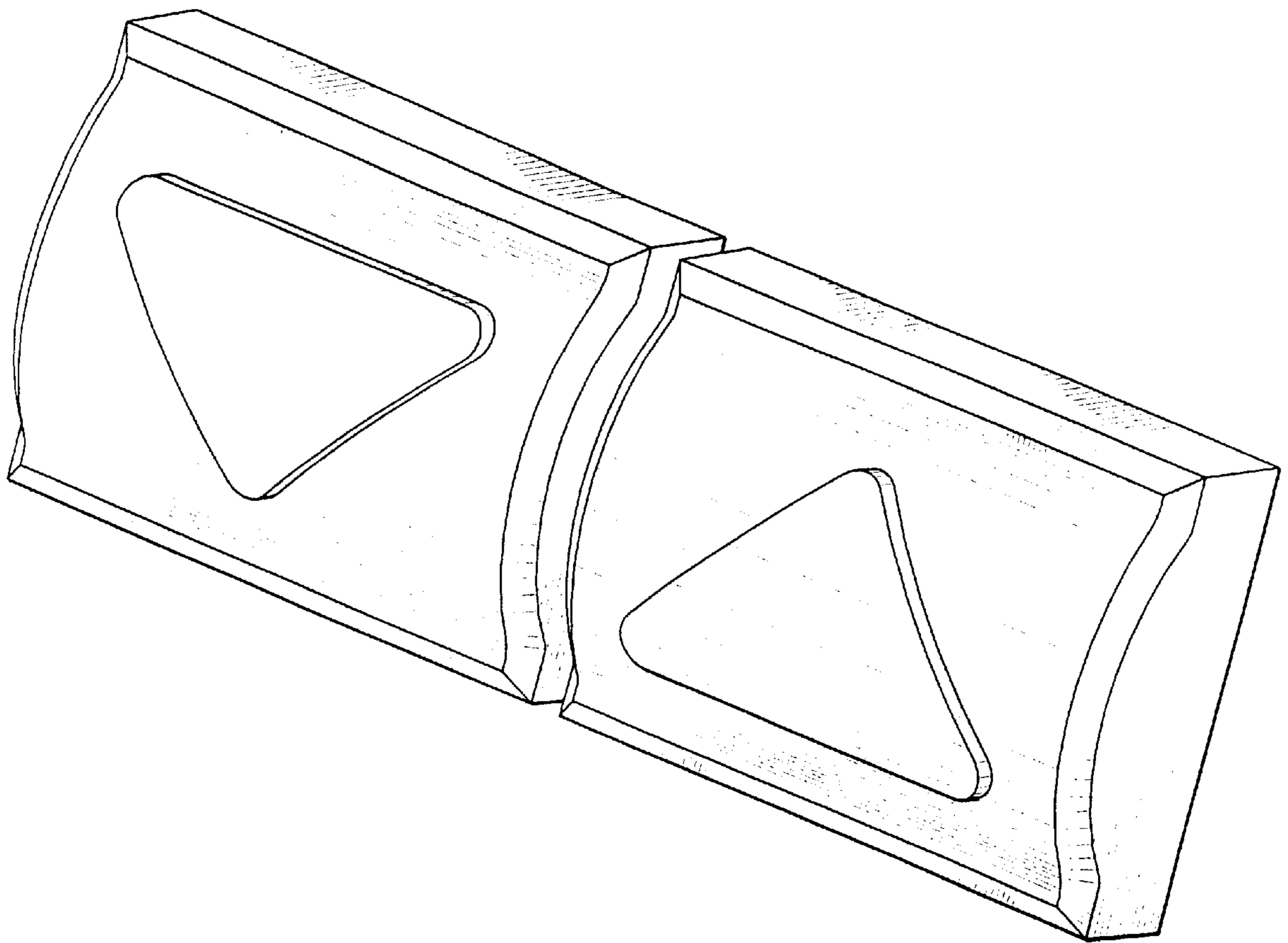


FIG. 12

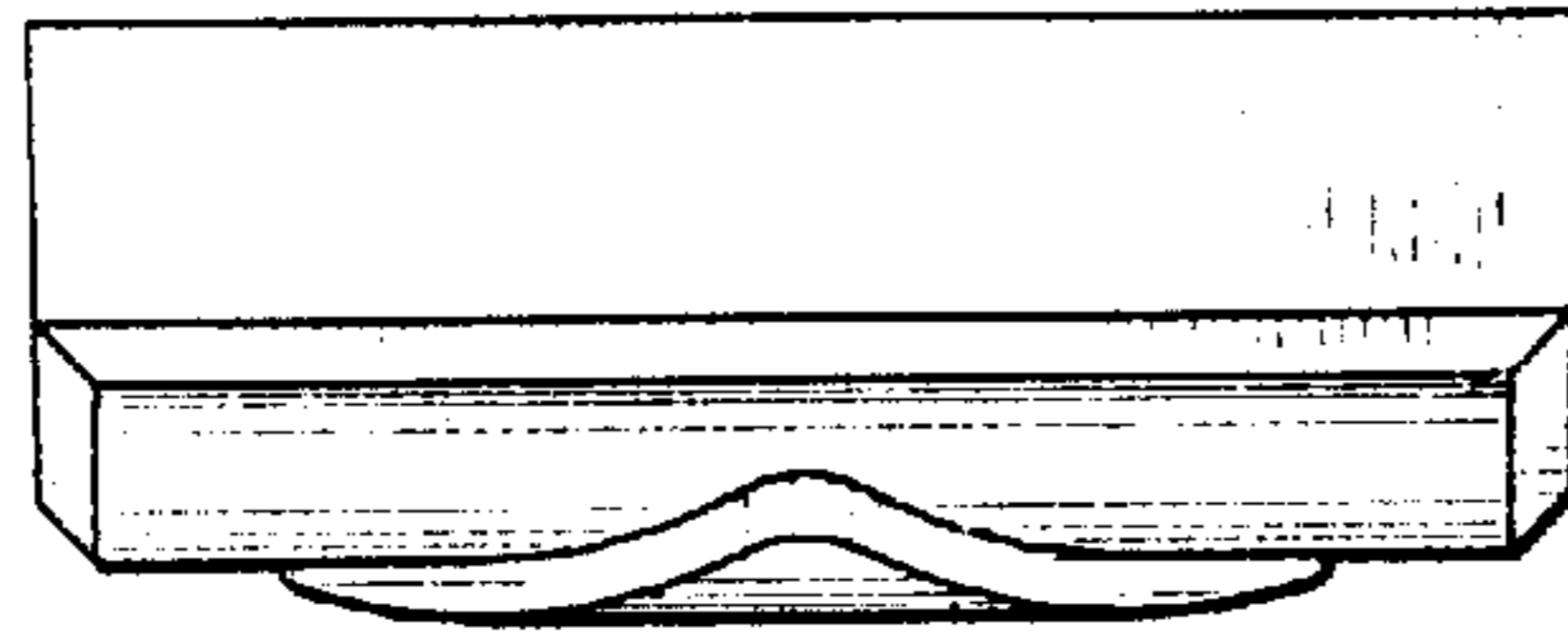


FIG. 13

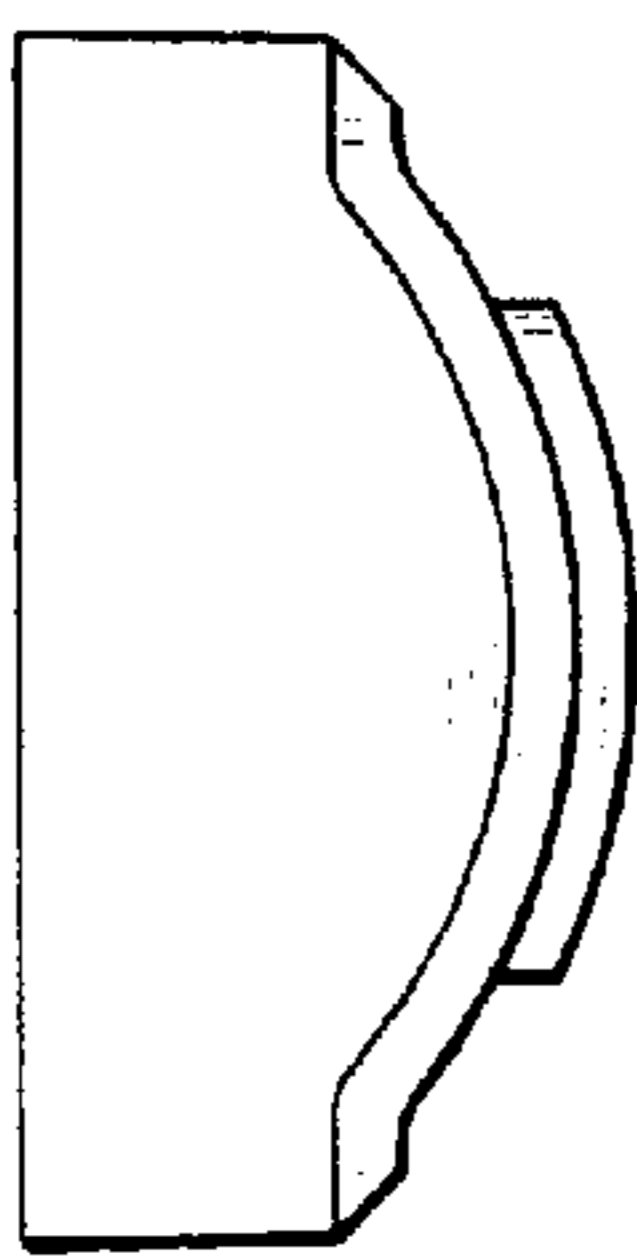


FIG. 16

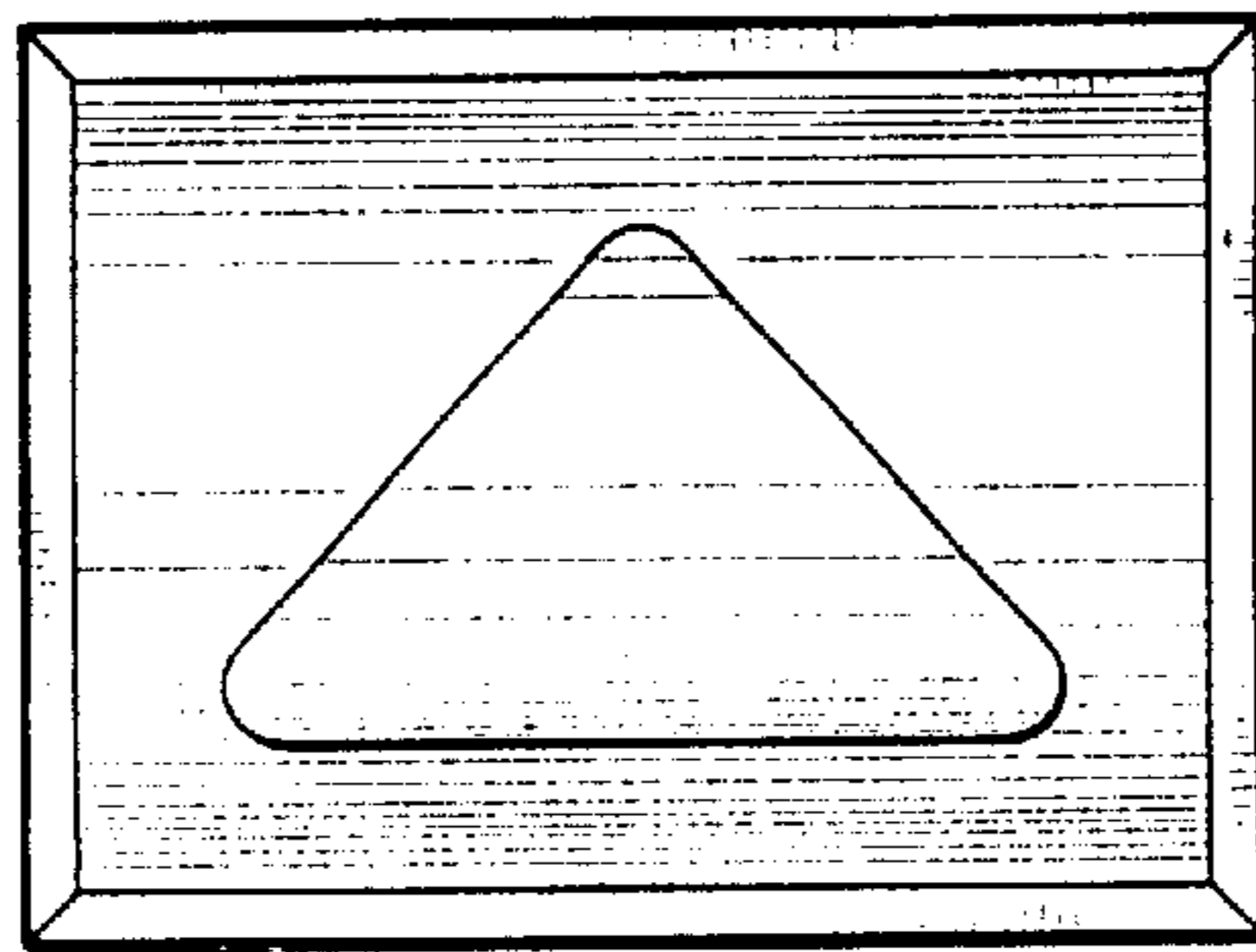


FIG. 14

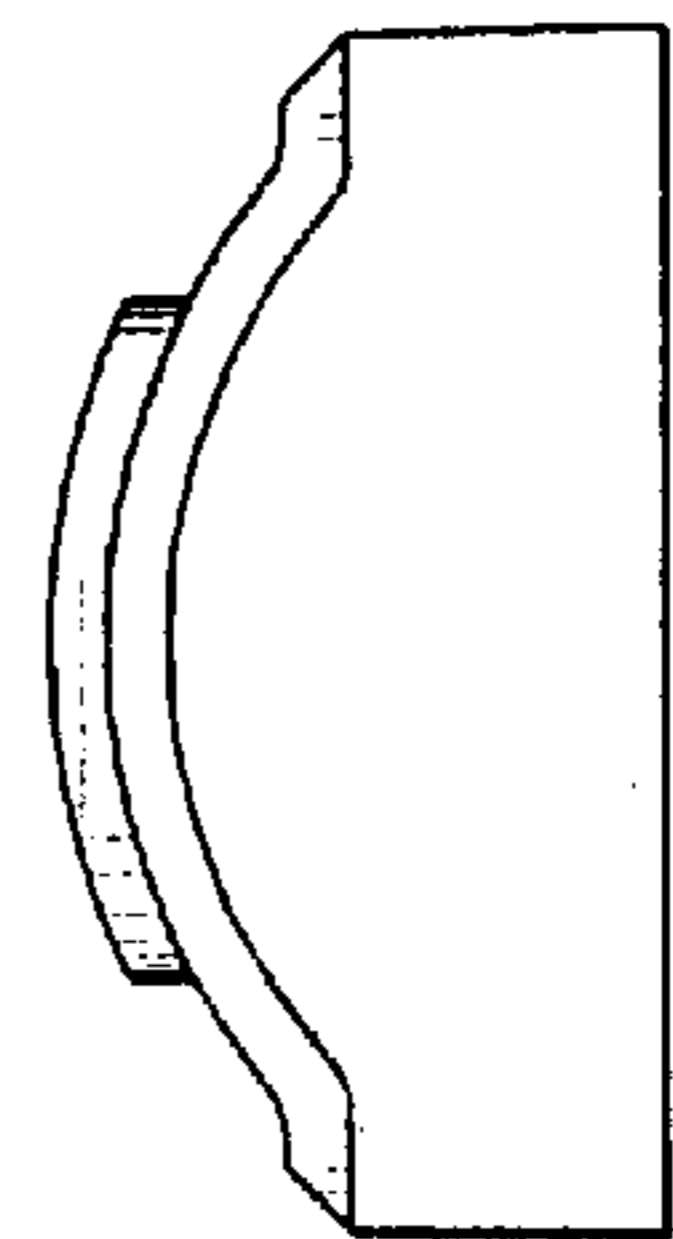


FIG. 17

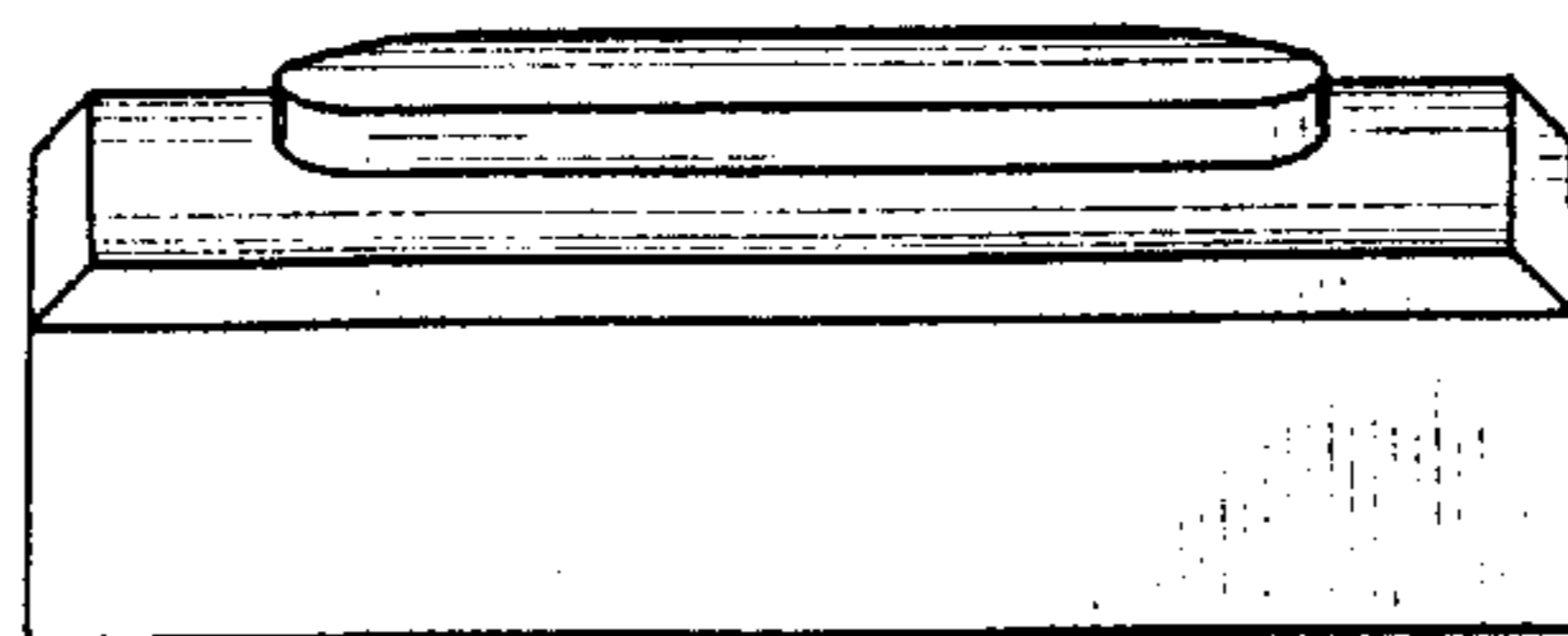


FIG. 15