



US00D461781S

(12) **United States Design Patent**
Fukumori et al.

(10) **Patent No.:** **US D461,781 S**
(45) **Date of Patent:** **** Aug. 20, 2002**

(54) **FUSE HOLDER**

(75) Inventors: **Shuichi Fukumori; Sonny Van Dessel,**
both of Osaka (JP)

(73) Assignee: **J.S.T. Mfg. Co., Ltd.,** Osaka (JP)

(**) Term: **14 Years**

(21) Appl. No.: **29/142,672**

(22) Filed: **May 31, 2001**

(30) **Foreign Application Priority Data**

Dec. 21, 2000 (XH) DM/054 992

(51) **LOC (7) Cl.** **13-03**

(52) **U.S. Cl.** **D13/161**

(58) **Field of Search** D13/160, 161,
D13/178; 337/142, 159, 186, 190, 194,
196, 197, 198, 201, 227, 255, 264; 361/600,
622, 626, 642, 646, 833, 834; 439/170,
172, 366, 620, 621, 622, 687, 541.5, 540.1

(56) **References Cited**

U.S. PATENT DOCUMENTS

3,432,789	A	*	3/1969	Poehlman	337/242
4,126,368	A	*	11/1978	Godfrey et al.	439/354
4,560,227	A	*	12/1985	Bukala	439/557
4,646,052	A	*	2/1987	Matsunaga et al.	337/166
5,082,458	A	*	1/1992	Poerschke	439/621
5,171,293	A	*	12/1992	Umamoto et al.	439/622
5,281,171	A	*	1/1994	Job	439/621

(List continued on next page.)

Primary Examiner—Ted Shooman

Assistant Examiner—Selina Sikder

(74) *Attorney, Agent, or Firm*—W. F. Fasse; W. G. Fasse

(57) **CLAIM**

We claim the ornamental design for a fuse holder, as shown and described.

DESCRIPTION

FIG. 1 is a front view of a fuse holder showing our new design in a first embodiment.

FIG. 2 is a rear view of the fuse holder of the first embodiment.

FIG. 3 is a top view of the fuse holder of the first embodiment.

FIG. 4 is a bottom view of the fuse holder of the first embodiment.

FIG. 5 is a left side view of the fuse holder of the first embodiment.

FIG. 6 is a right side view of the fuse holder of the first embodiment.

FIG. 7 and FIG. 8 are perspective views of the fuse holder of the first embodiment.

FIG. 9 is a sectional view along the line IX—IX in FIG. 5, wherein the fuse holder is shown in a connecting condition. The fuse holder is mounted on a printed circuit board and receives at least one blade type fuse. The printed circuit board and the fuse are drawn in broken lines for illustrative purposes only and form no part of the claimed design.

FIG. 10 is a front view of a fuse holder showing our new design in a second embodiment.

FIG. 11 is a rear view of the fuse holder of the second embodiment.

FIG. 12 is a top view of the fuse holder of the second embodiment.

FIG. 13 is a bottom view of the fuse holder of the second embodiment.

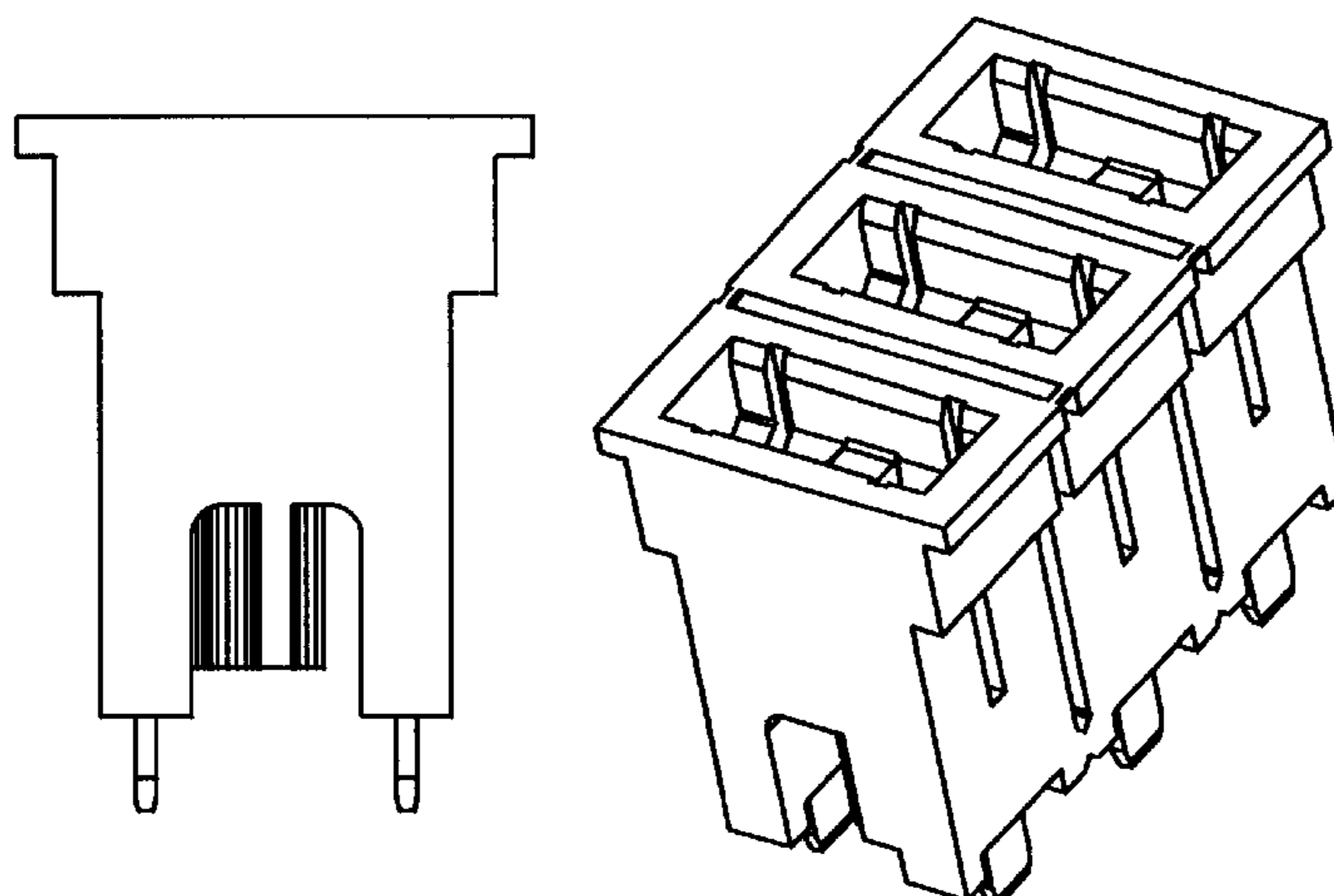
FIG. 14 is a left side view of the fuse holder of the second embodiment.

FIG. 15 is a right side view of the fuse holder of the second embodiment.

FIG. 16 and FIG. 17 are perspective views of the fuse holder of the second embodiment; and,

FIG. 18 is a sectional view along the line XVIII—XVIII in FIG. 14, wherein the fuse holder is shown in a connecting condition. The fuse holder is mounted on a printed circuit board and receives at least one blade type fuse. The printed circuit board and the fuse are drawn in broken lines for illustrative purposes only and form no part of the claimed design.

1 Claim, 10 Drawing Sheets

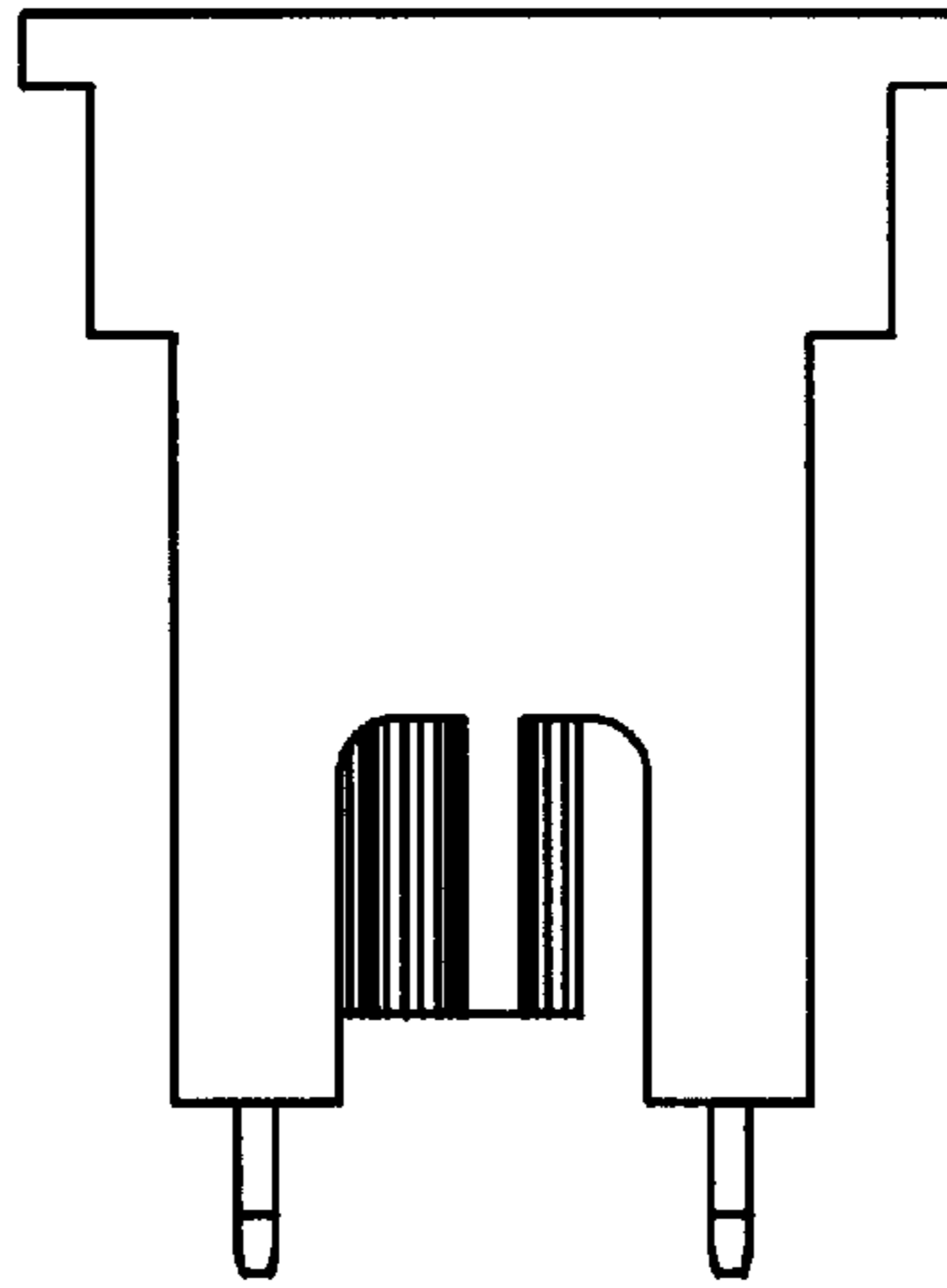


US D461,781 S

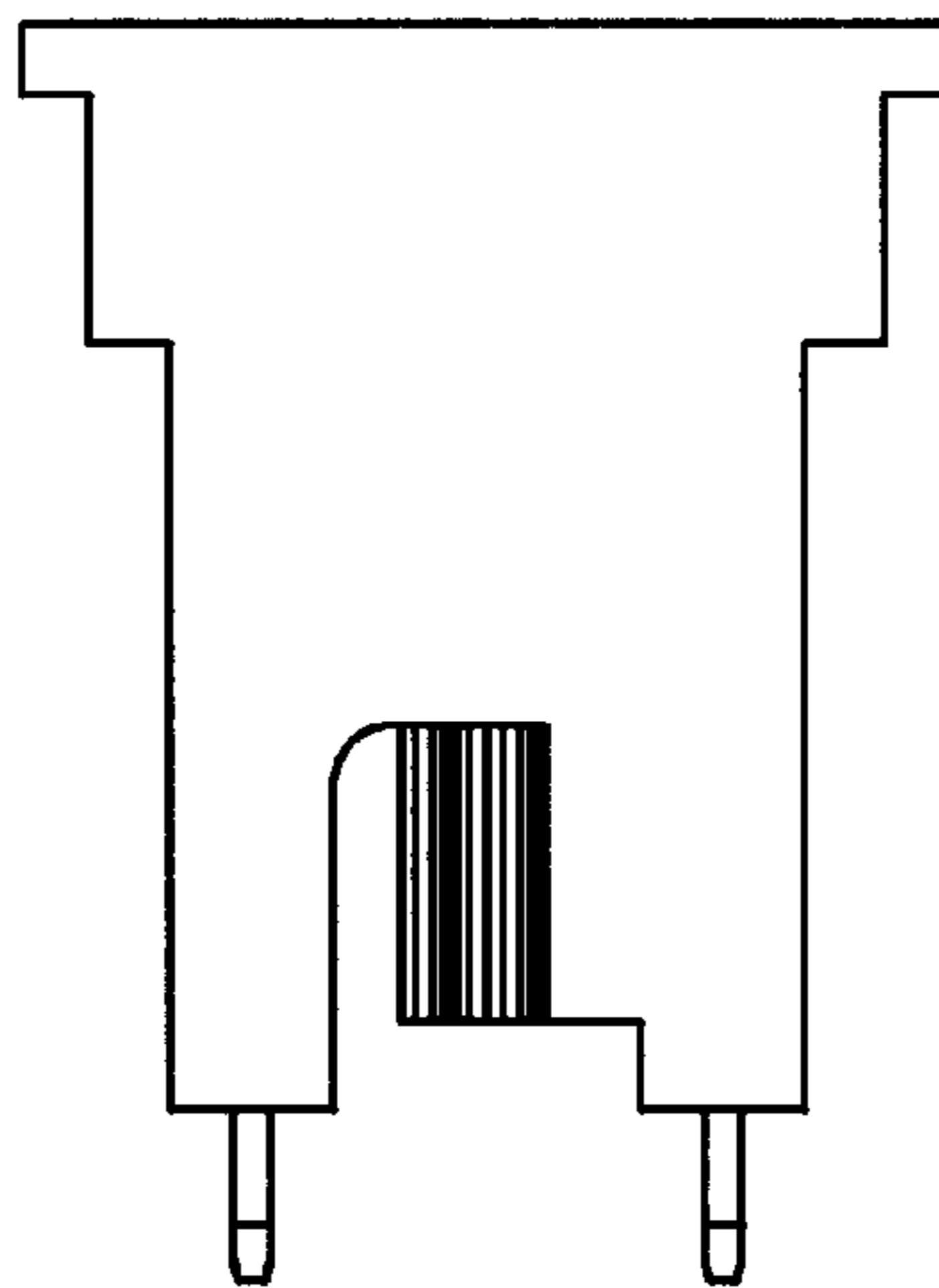
Page 2

U.S. PATENT DOCUMENTS		
5,581,225 A	* 12/1996 Oh et al.	337/295
5,632,654 A	* 5/1997 Sugiura	439/621
5,841,337 A	* 11/1998 Douglass	337/198
5,929,740 A	* 7/1999 Oh et al.	337/198
		* cited by examiner

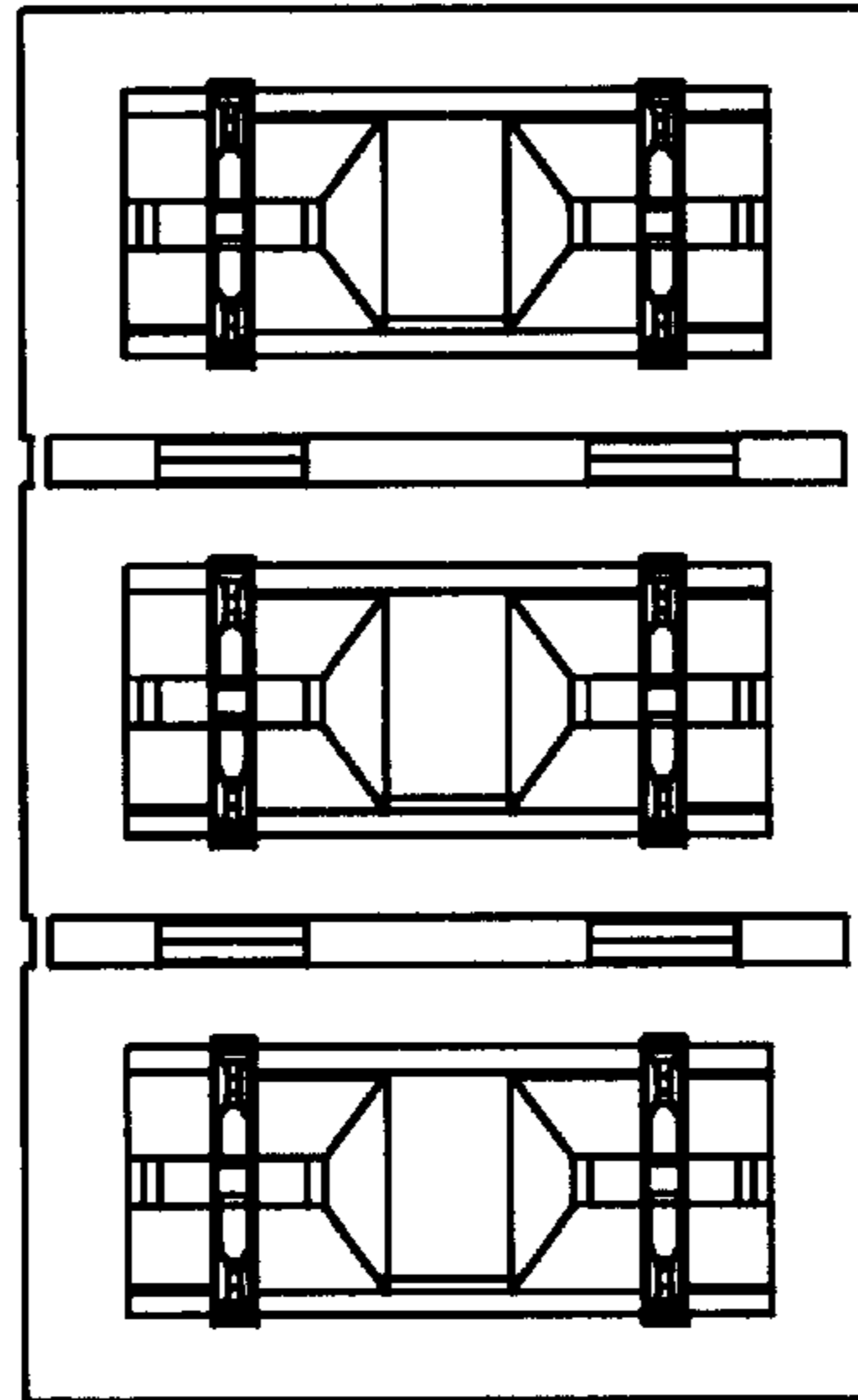
F I G . 1



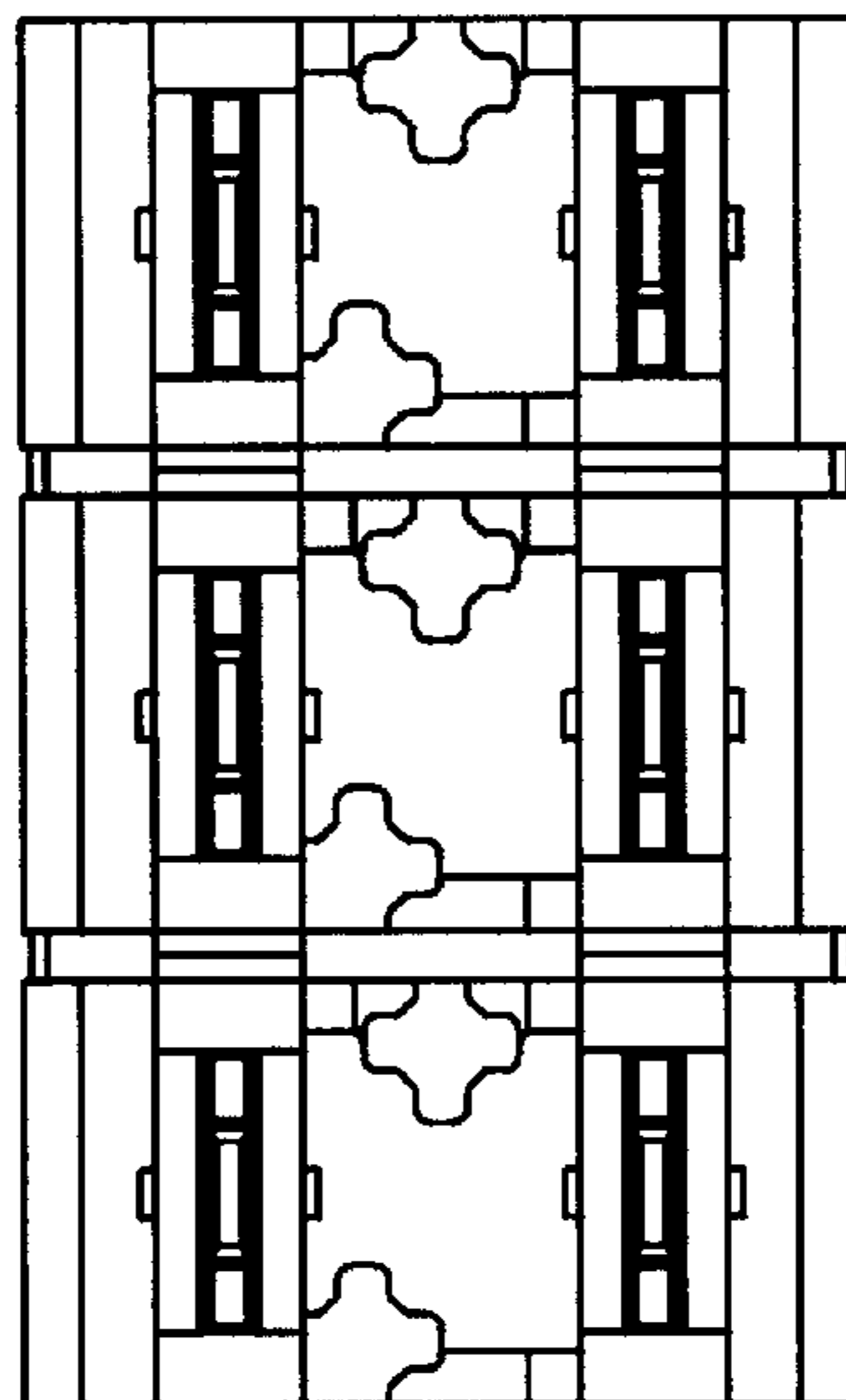
F I G . 2



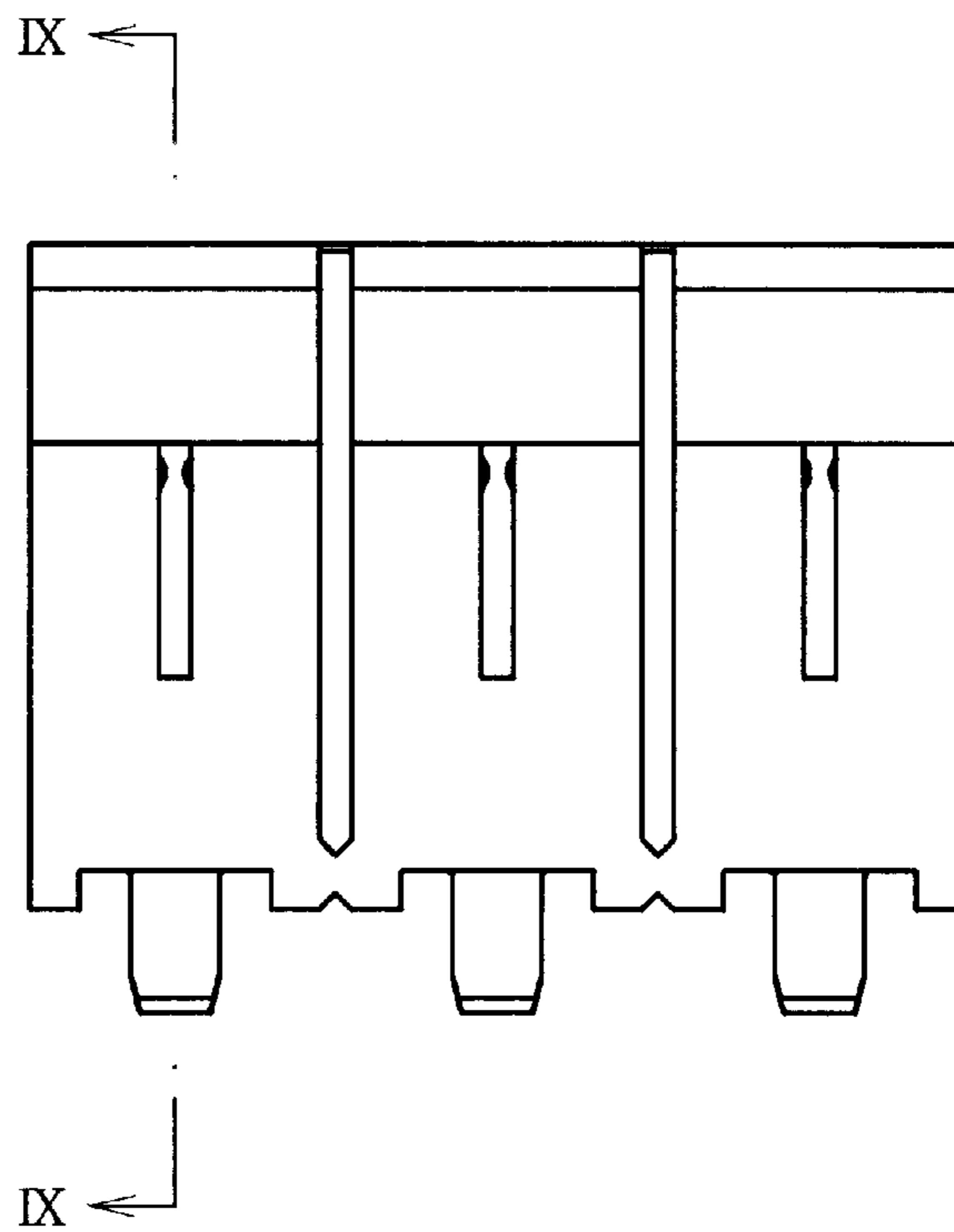
F I G . 3



F I G . 4



F I G . 5



F I G . 6

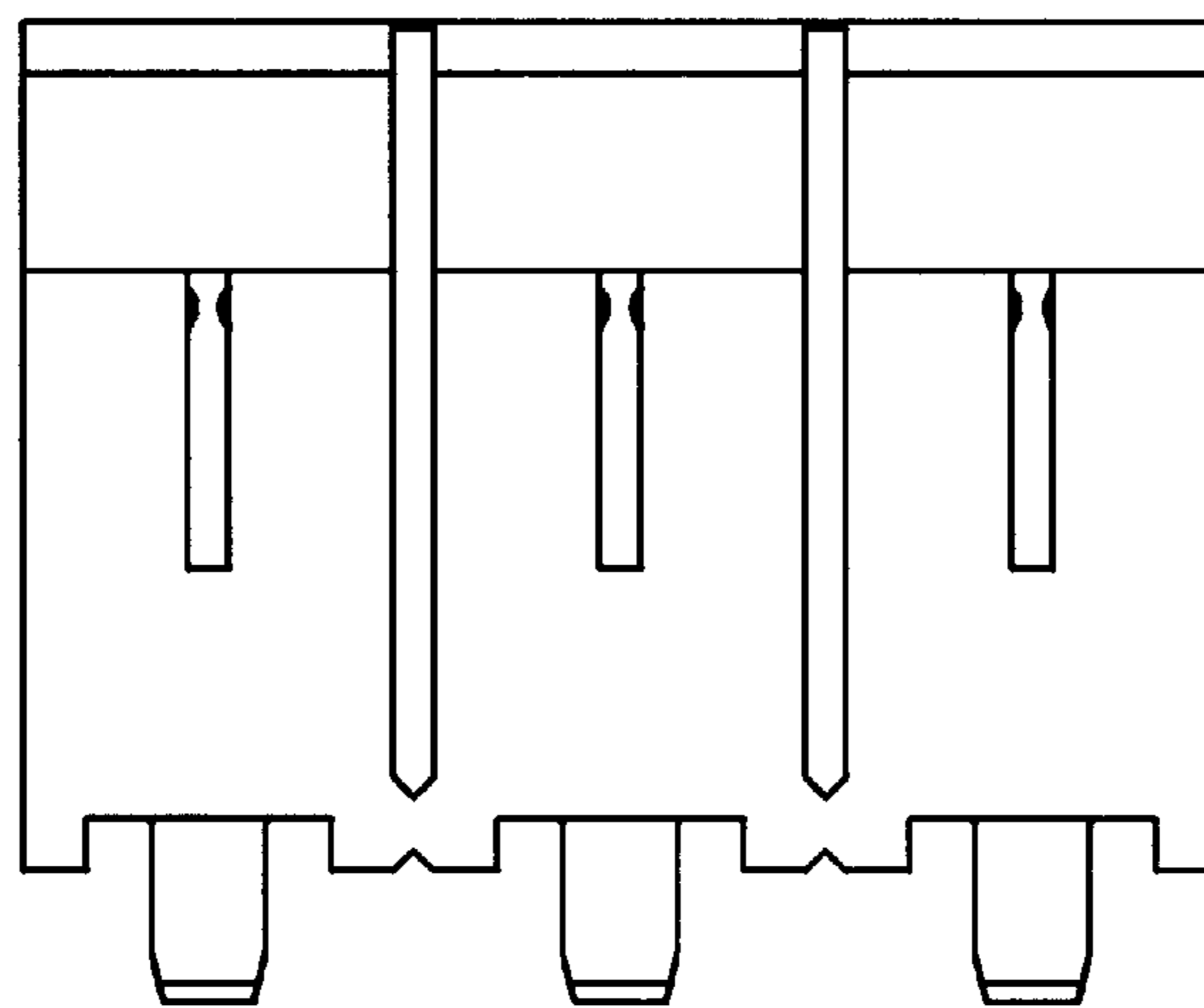


FIG. 7

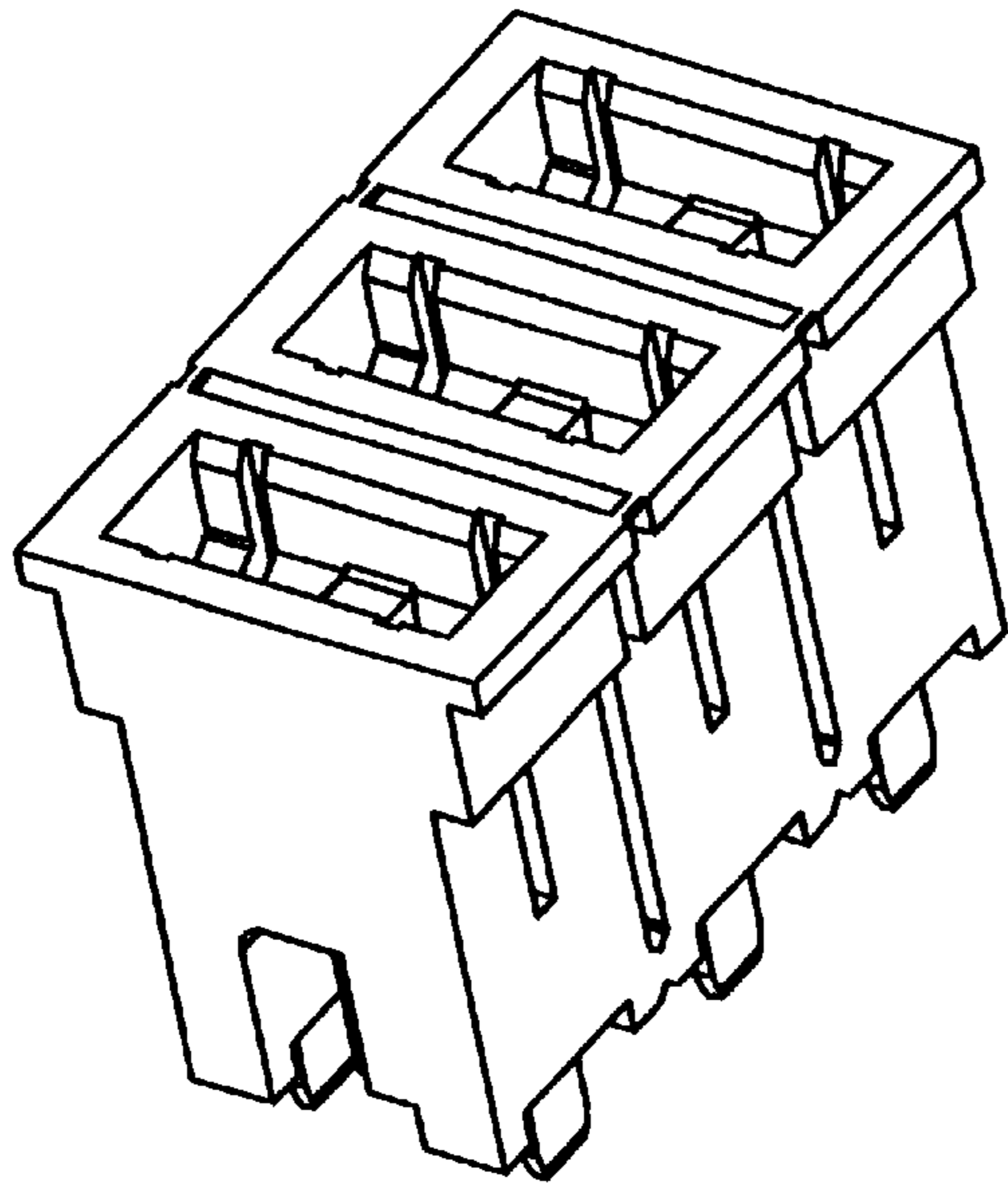
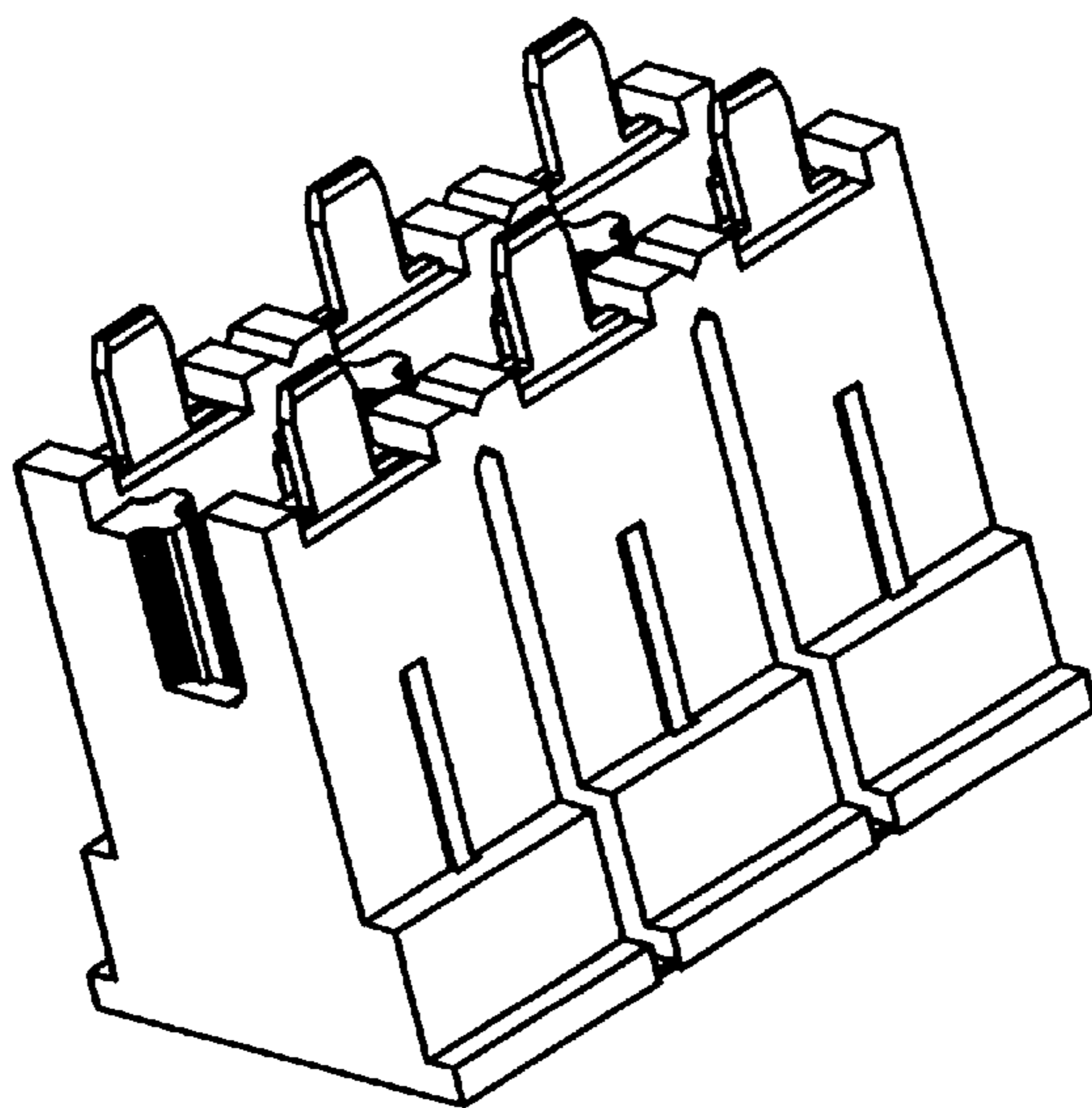
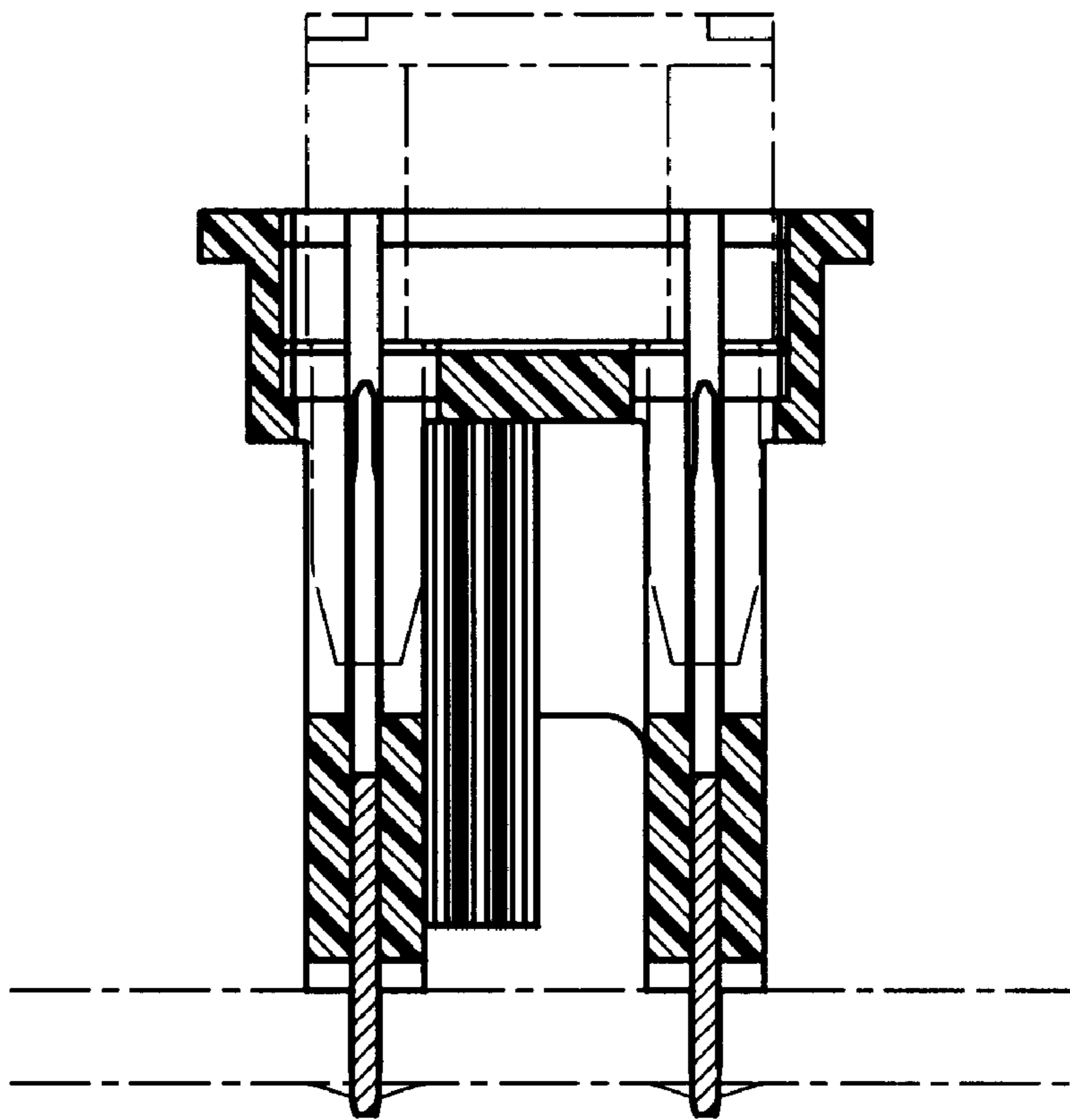


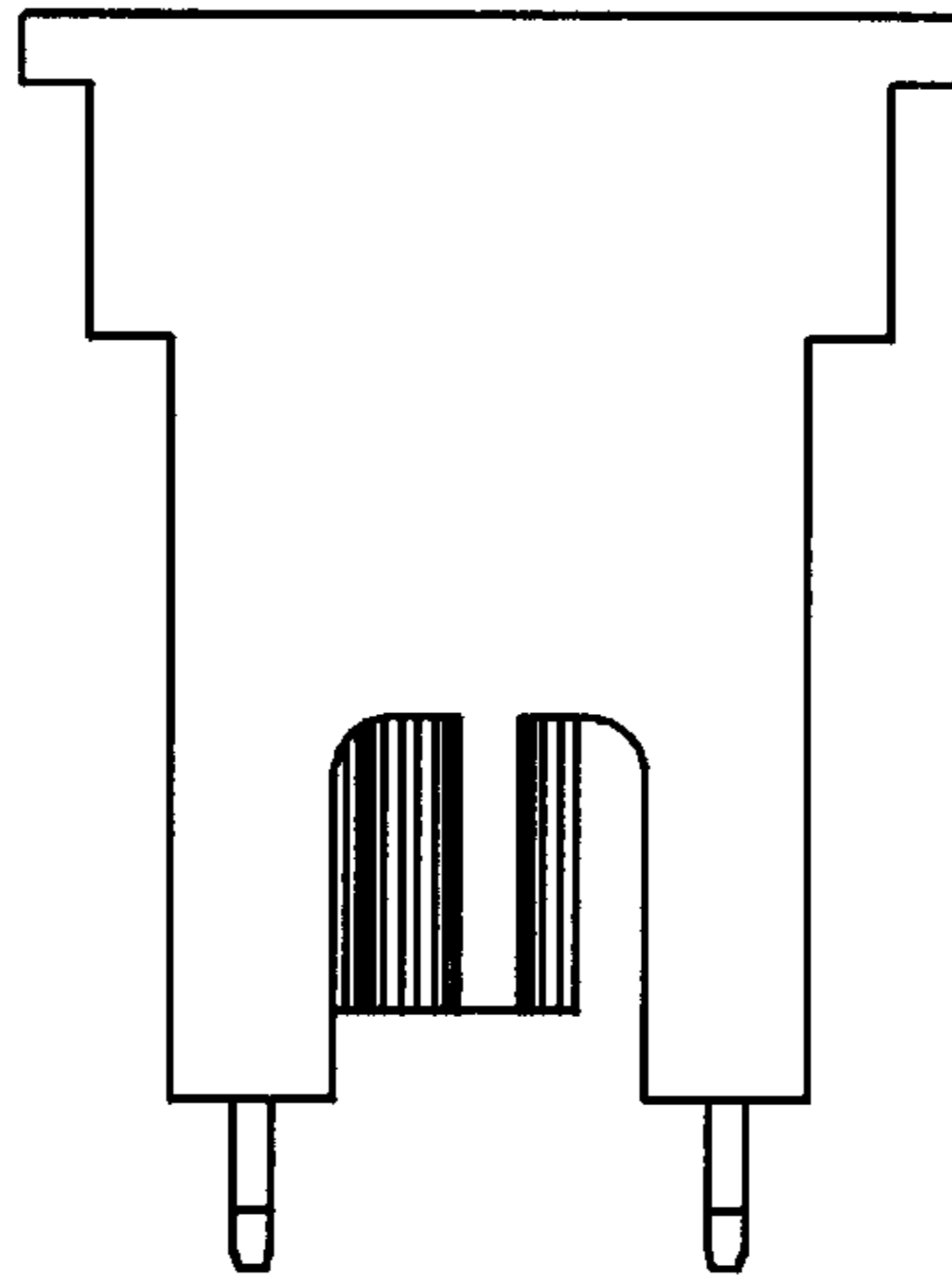
FIG. 8



F I G . 9



F I G . 1 0



F I G . 1 1

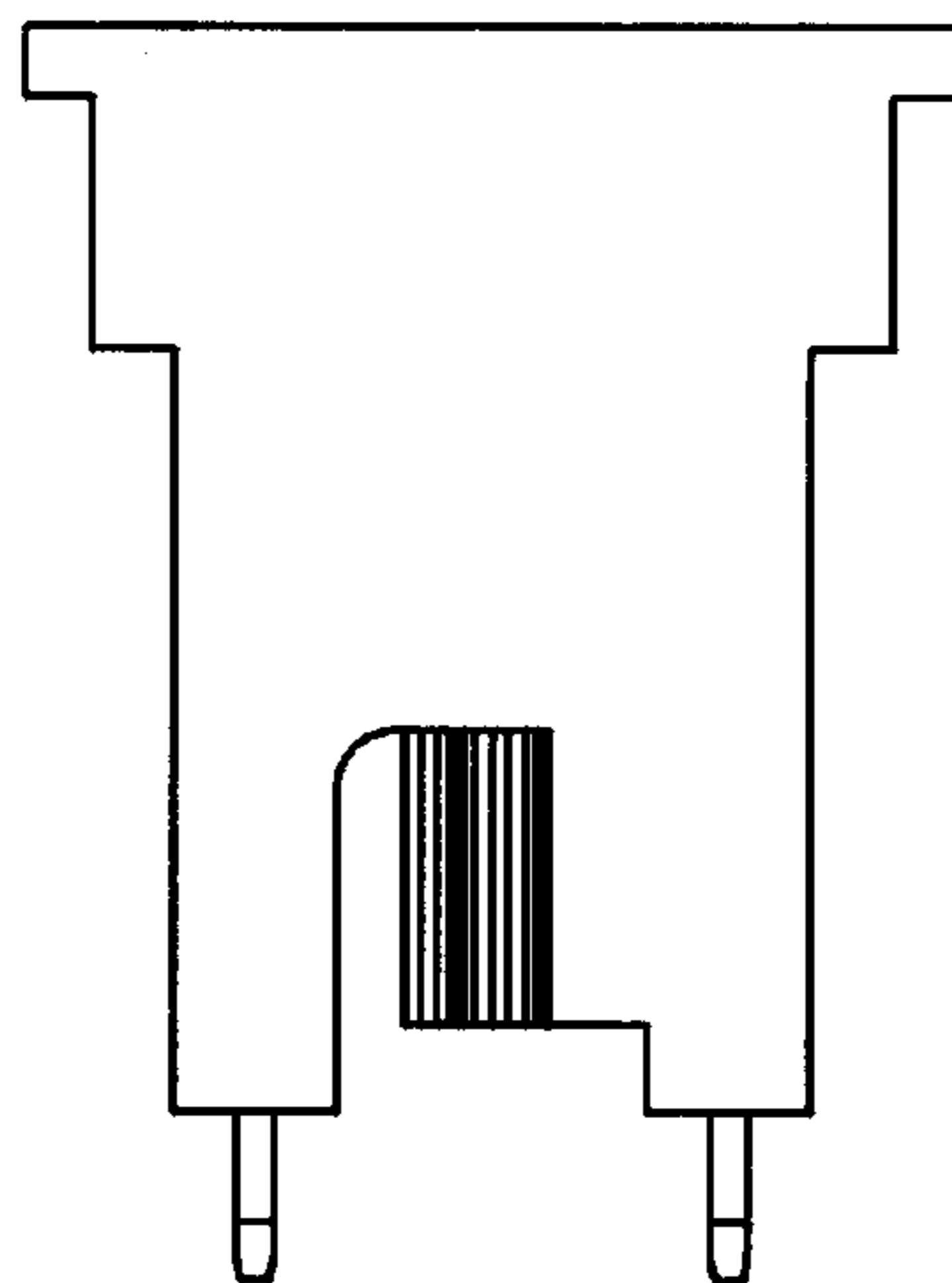


FIG. 12

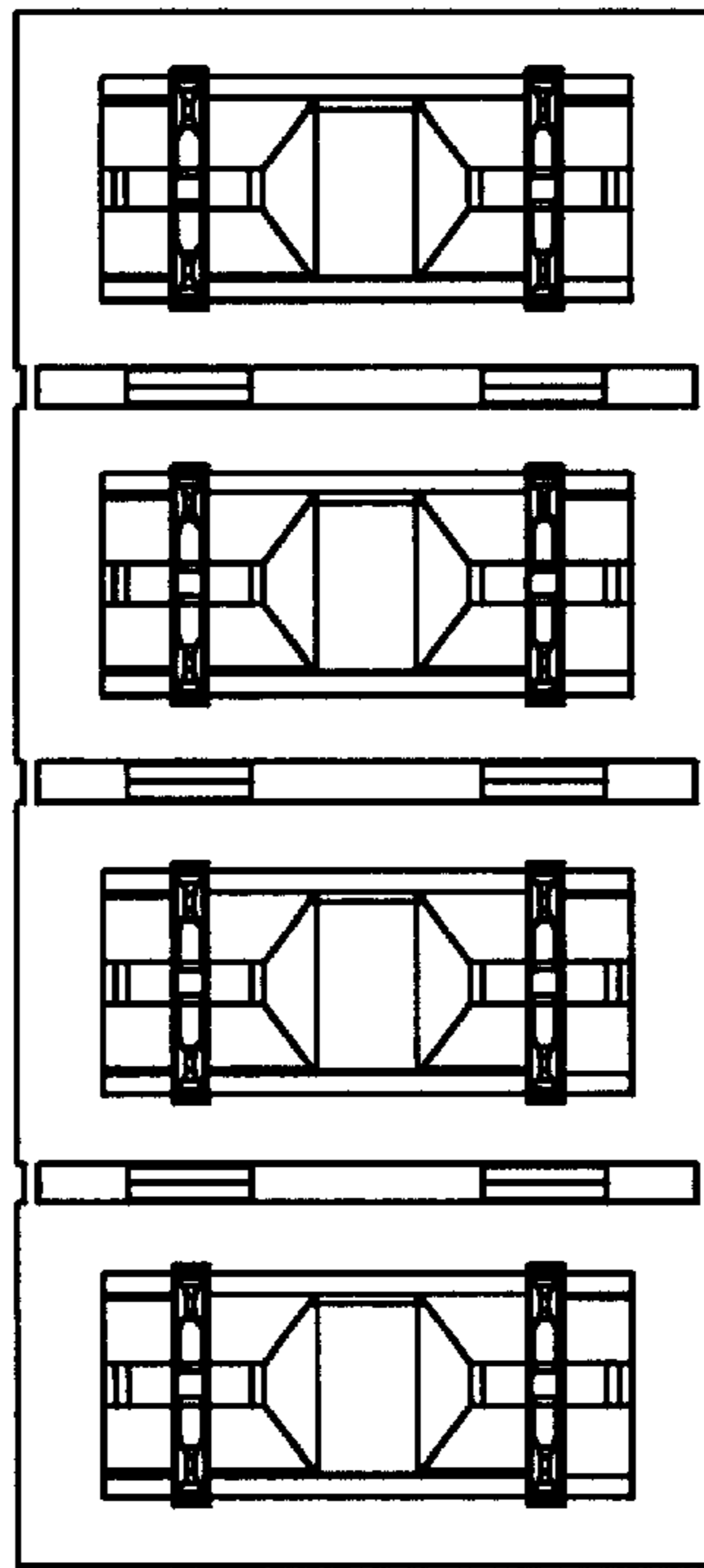
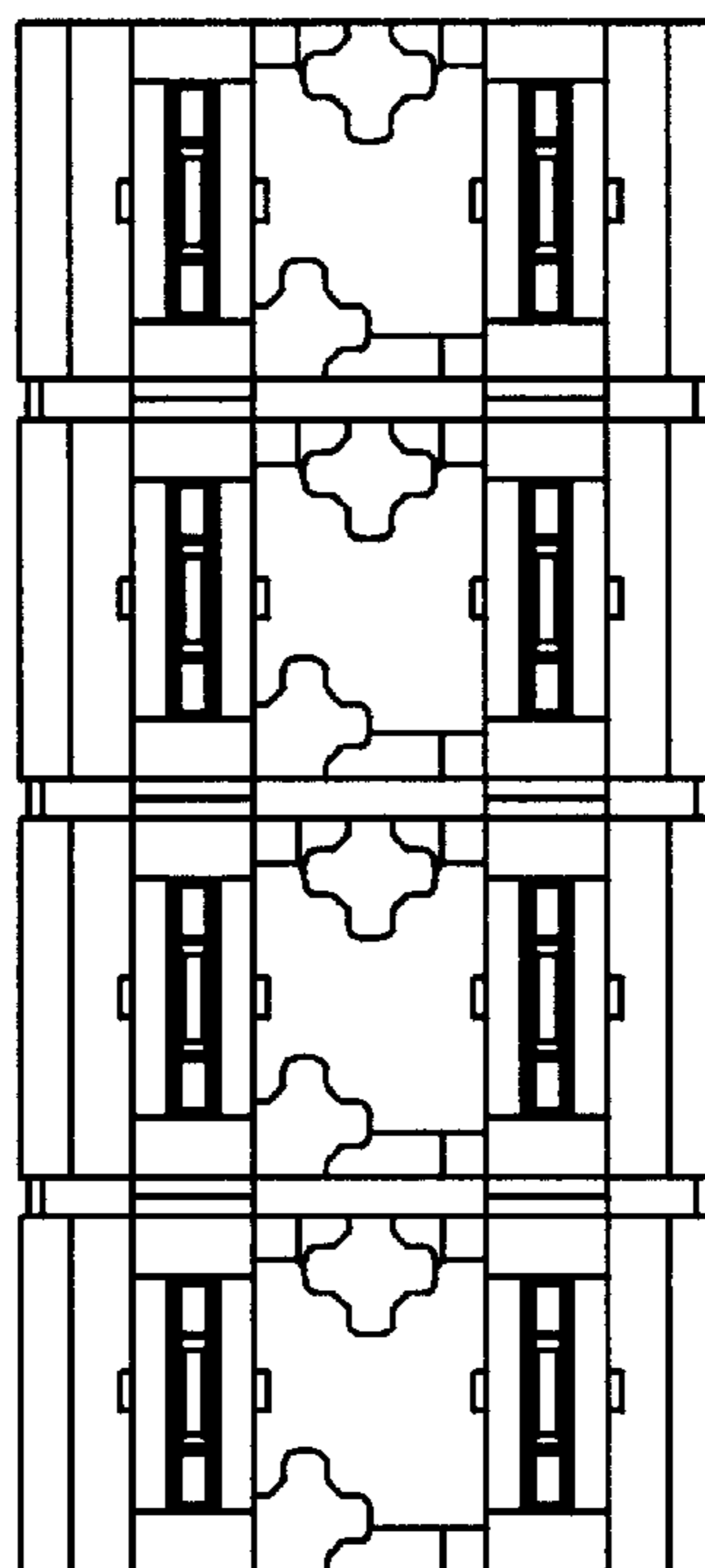
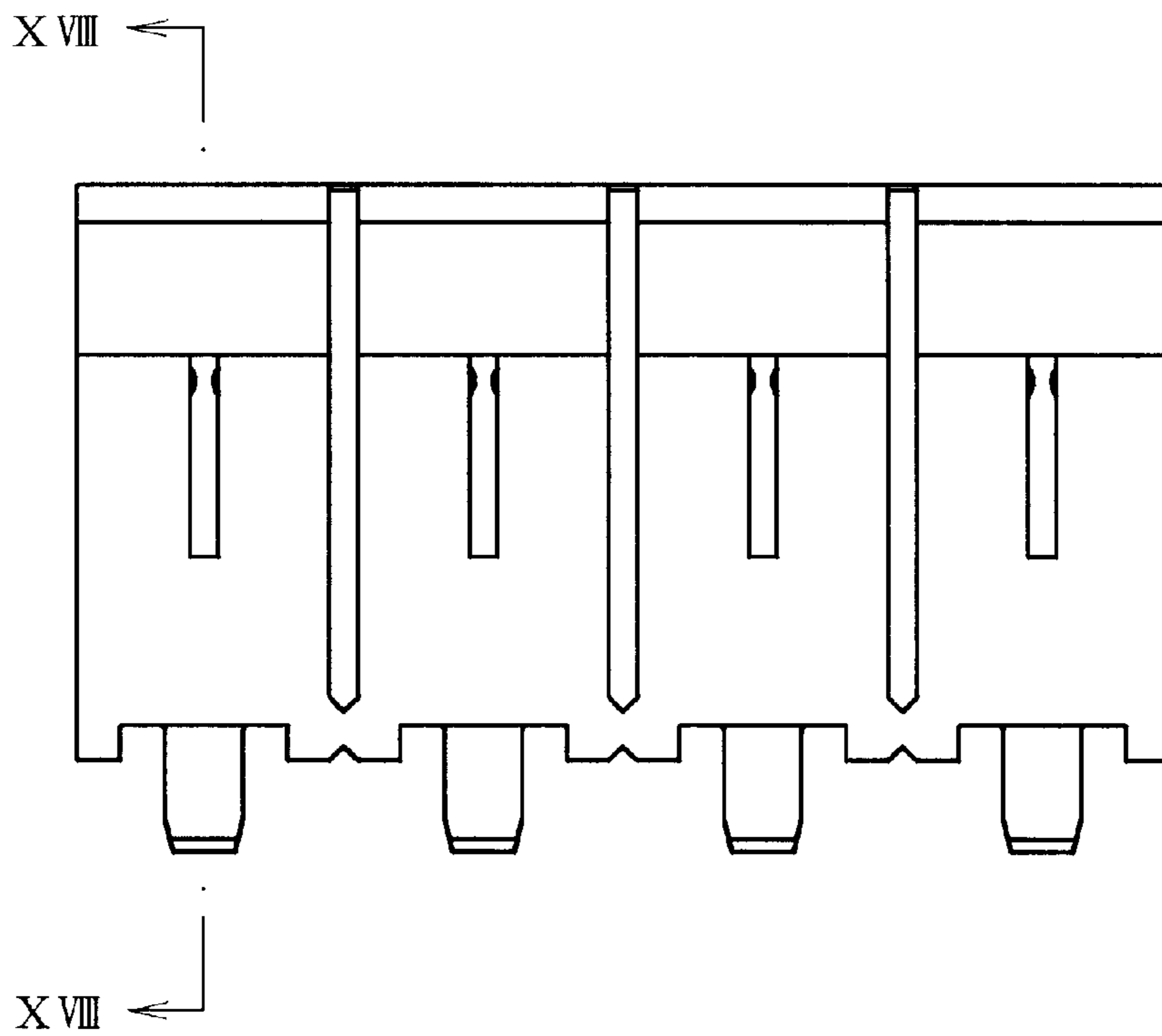


FIG. 13



F I G . 1 4



F I G . 1 5

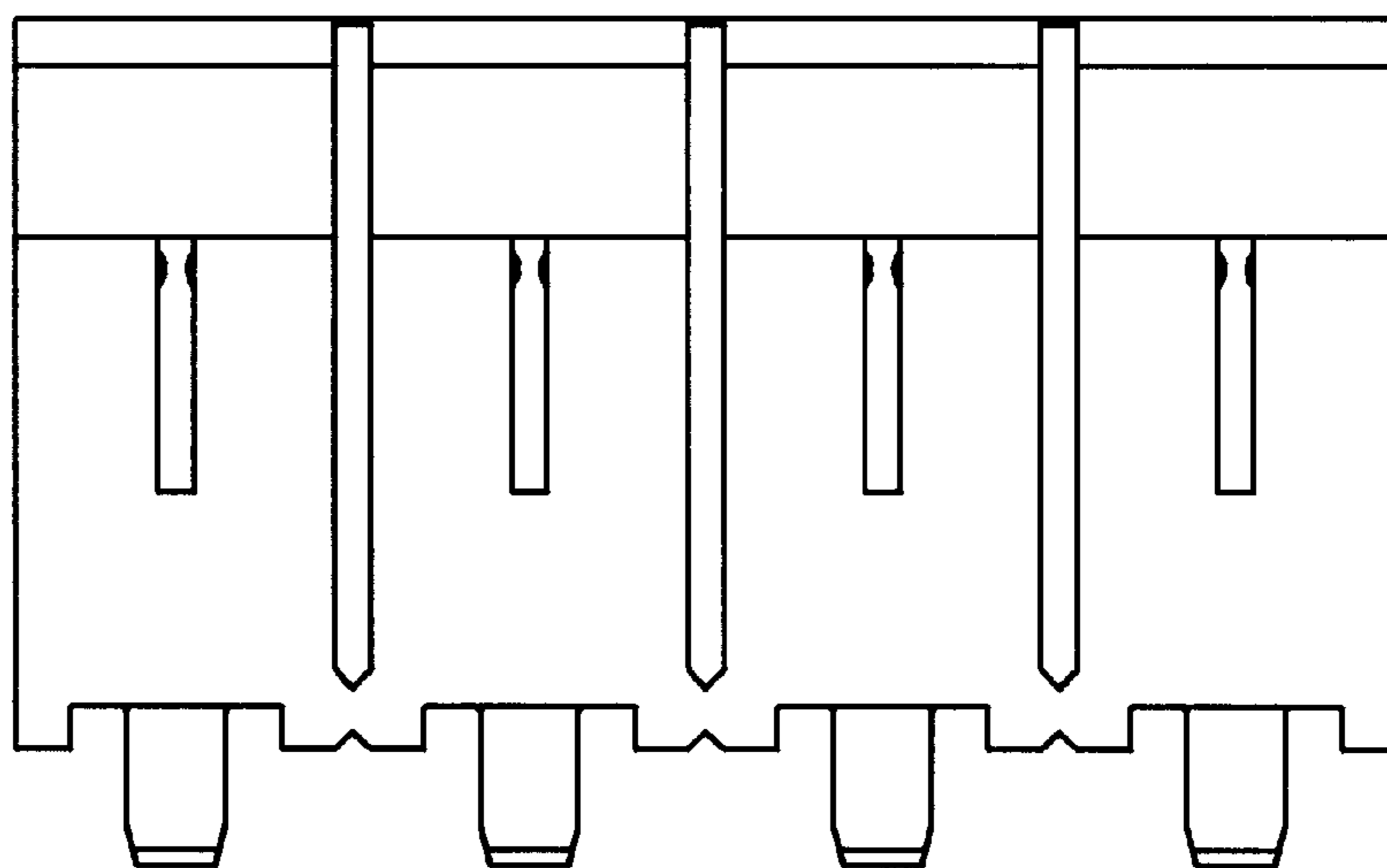


FIG. 16

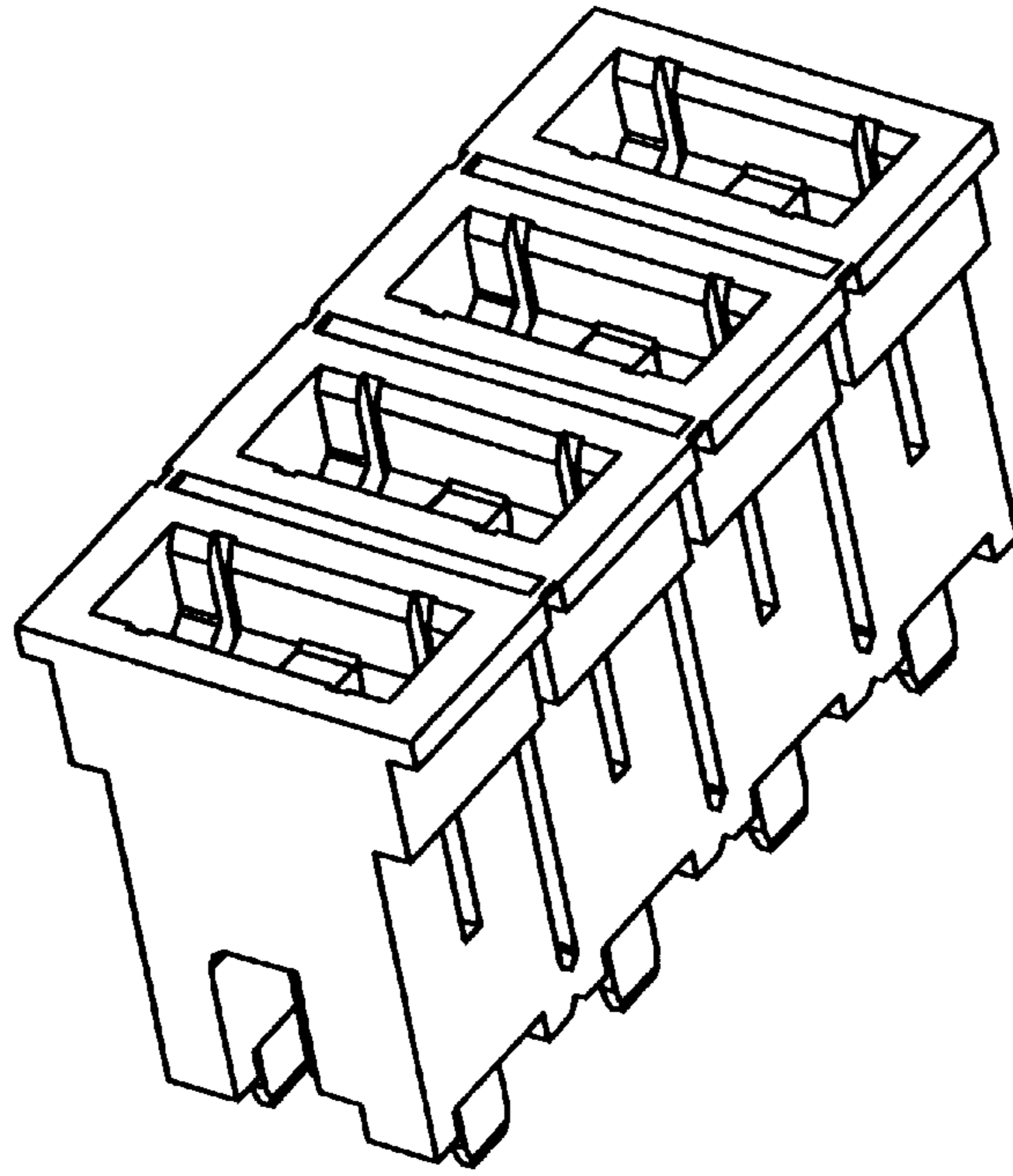


FIG. 17

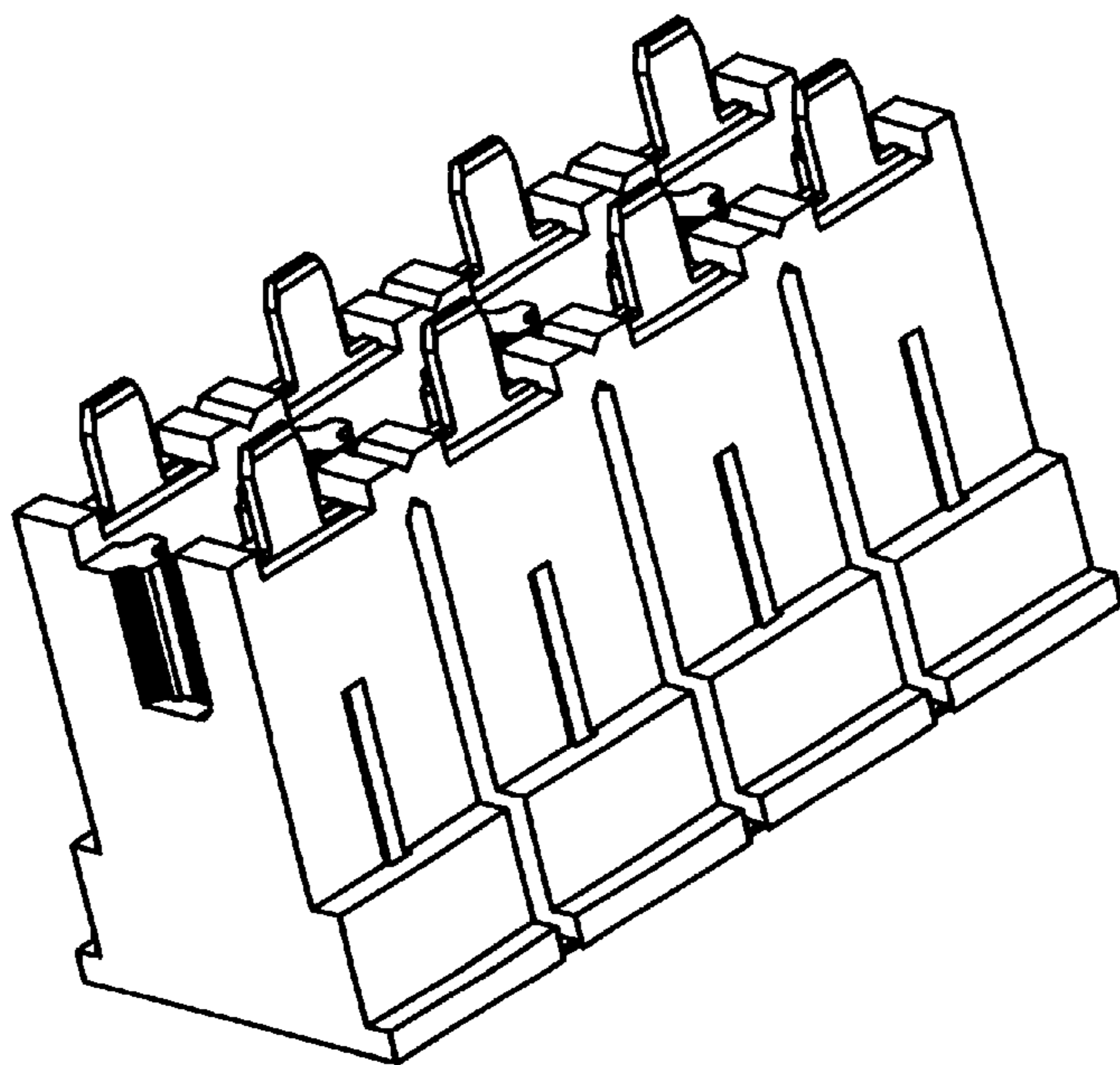


FIG. 18

