



US00D461780S

(12) **United States Design Patent**
Yeh

(10) **Patent No.:**

US D461,780 S

(45) **Date of Patent:**

**** Aug. 20, 2002**

(54) **CABLE STORAGE BOX**

(75) Inventor: **Ryan Yeh**, Chinao Hill, CA (US)

(73) Assignee: **Hon Hai Precision Ind. Co., Ltd.**,
Taipei Hsiena (TW)

(**) Term: **14 Years**

(21) Appl. No.: **29/138,324**

(22) Filed: **Mar. 8, 2001**

(51) **LOC (7) Cl.** **13-03**

(52) **U.S. Cl.** **D13/154**

(58) **Field of Search** D8/349, 354, 356,
D8/358, 359; 191/12.2 R, 12.4; D14/435,
436, 437, 438; 206/389; 242/129, 129.5,
129.51, 129.6, 129.62, 134, 137, 395, 398,
405, 405.1, 405.2, 405.3, 407, 378.1, 385.1,
388.1, 388.5, 397; 248/49; D13/153, 154,
155, 133, 184; 379/438

(56) **References Cited**

U.S. PATENT DOCUMENTS

4,692,034 A * 9/1987 Fukui et al. 242/405

D310,207 S * 8/1990 Sheps D13/154
D316,415 S * 4/1991 Hepworth D13/154
D316,666 S * 5/1991 Ishimaru D8/358
5,600,719 A * 2/1997 Lovecky et al. 379/438
6,176,358 B1 * 1/2001 Hsin 191/12.2 R

* cited by examiner

Primary Examiner—Doris V. Coles

Assistant Examiner—Elizabeth A. Albert

(74) *Attorney, Agent, or Firm*—Wei Te Chung

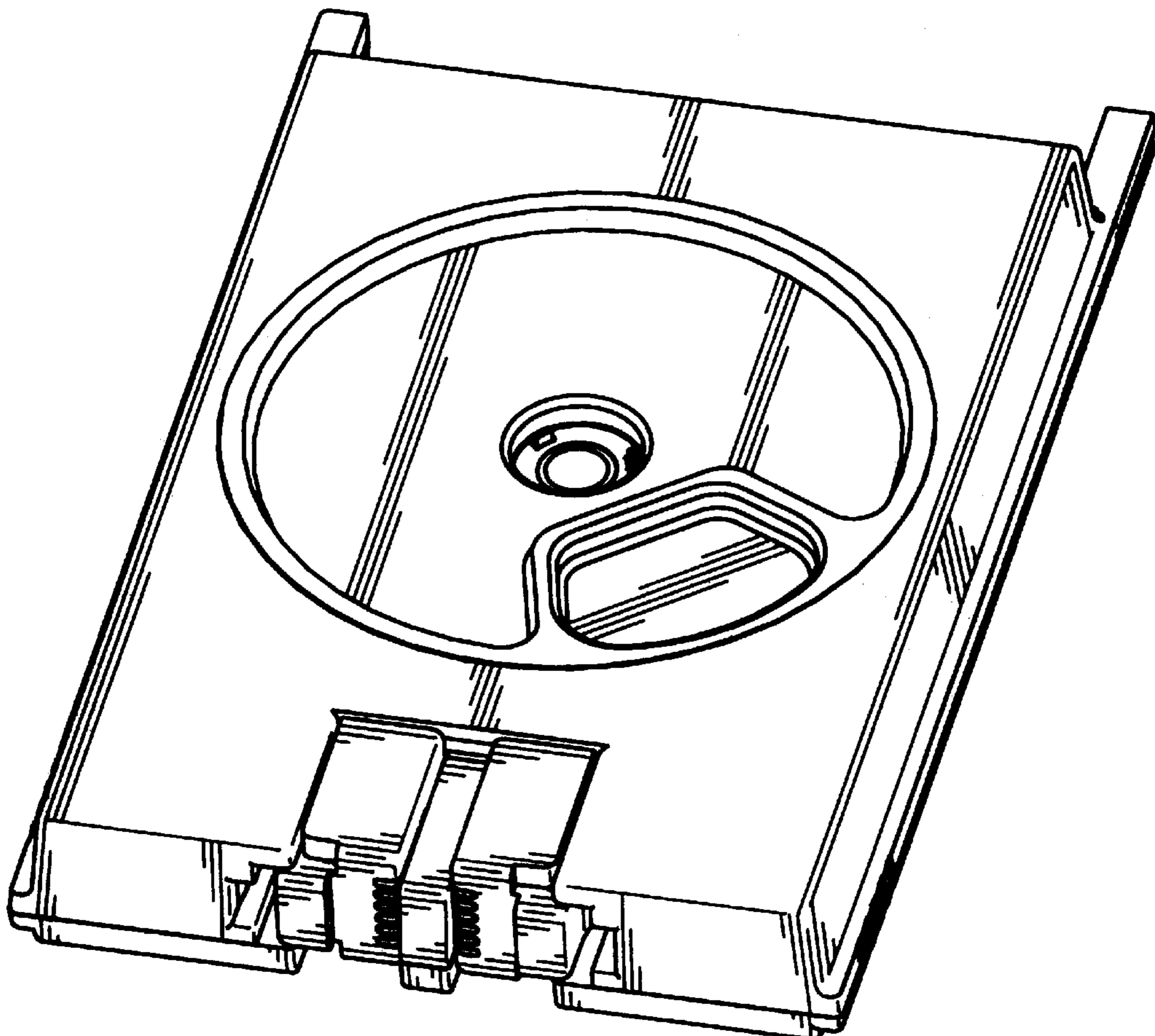
(57) **CLAIM**

The ornamental design for a cable storage box, as shown.

DESCRIPTION

FIG. 1 is a front, top and right side perspective view of a cable storage box showing my new design;
FIG. 2 is a front elevational view thereof;
FIG. 3 is a rear elevational view thereof;
FIG. 4 is a left side elevational view thereof;
FIG. 5 is a right side elevational view thereof;
FIG. 6 is a top plan view thereof; and,
FIG. 7 is a bottom plan view thereof.

1 Claim, 5 Drawing Sheets



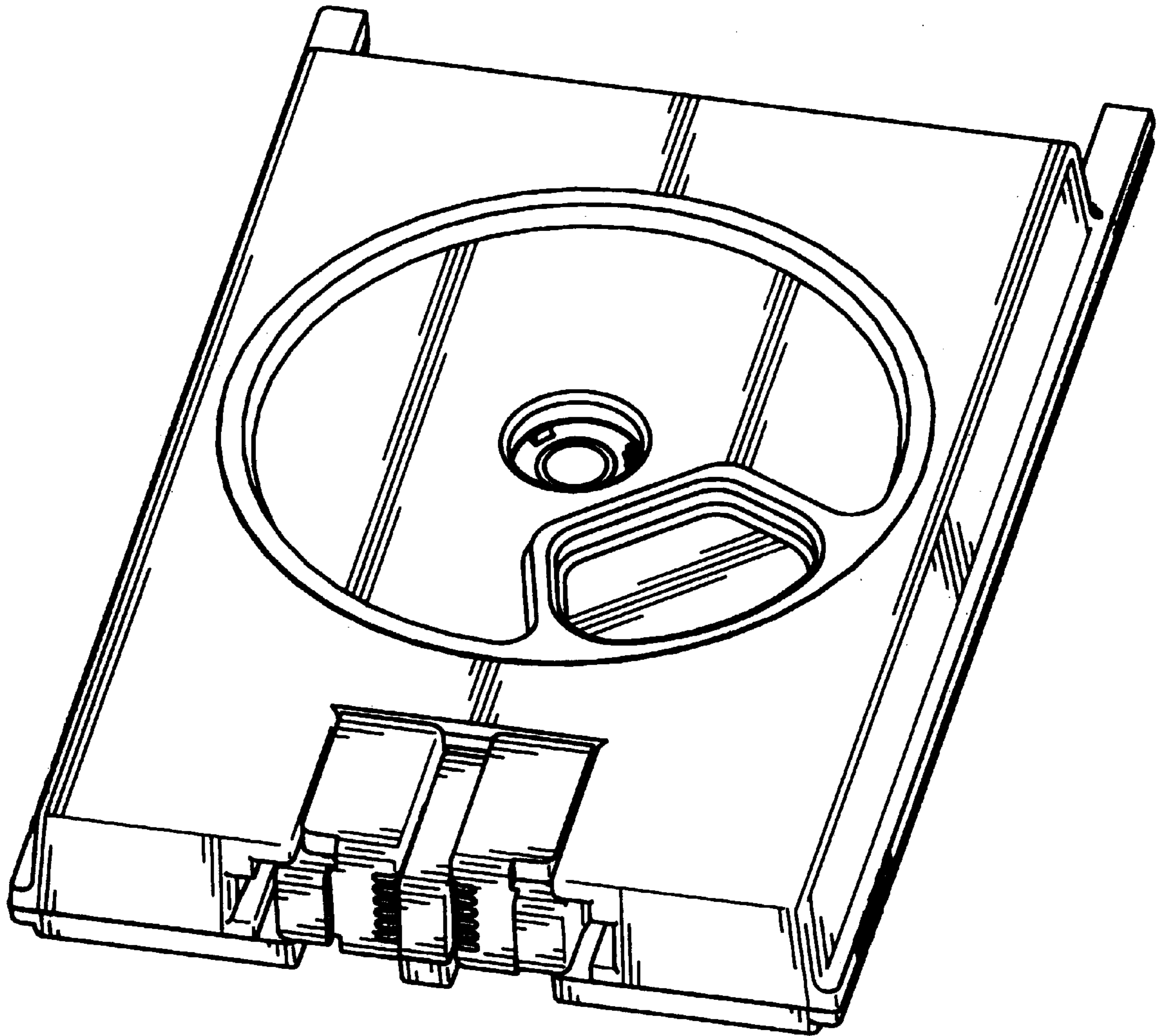


FIG. 1

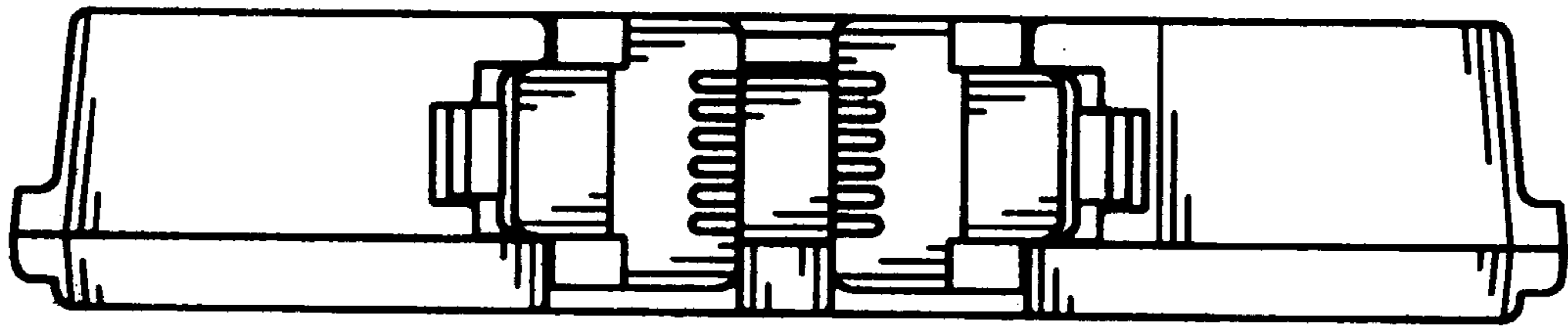


FIG. 2

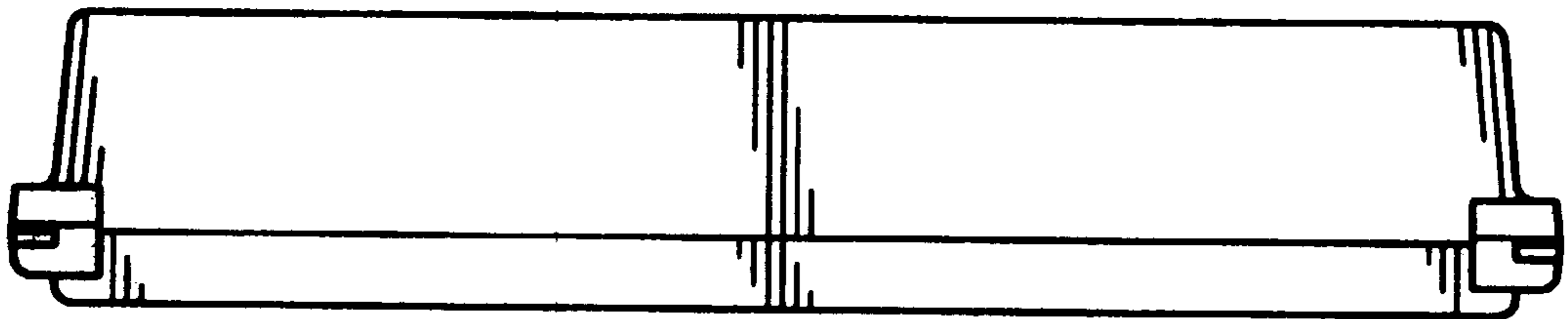


FIG. 3

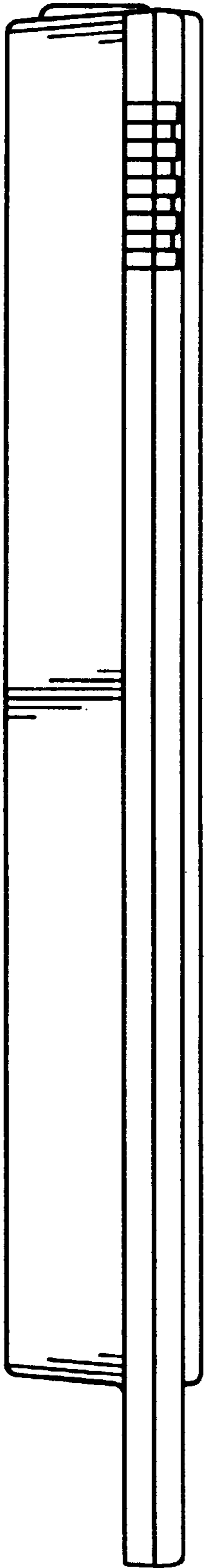


FIG. 4

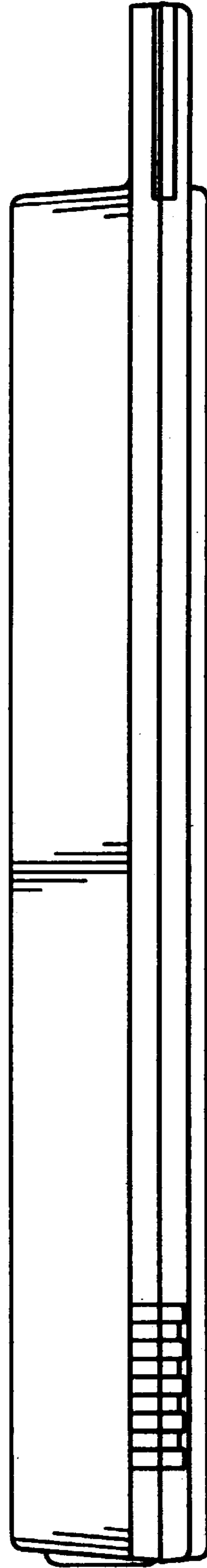


FIG. 5

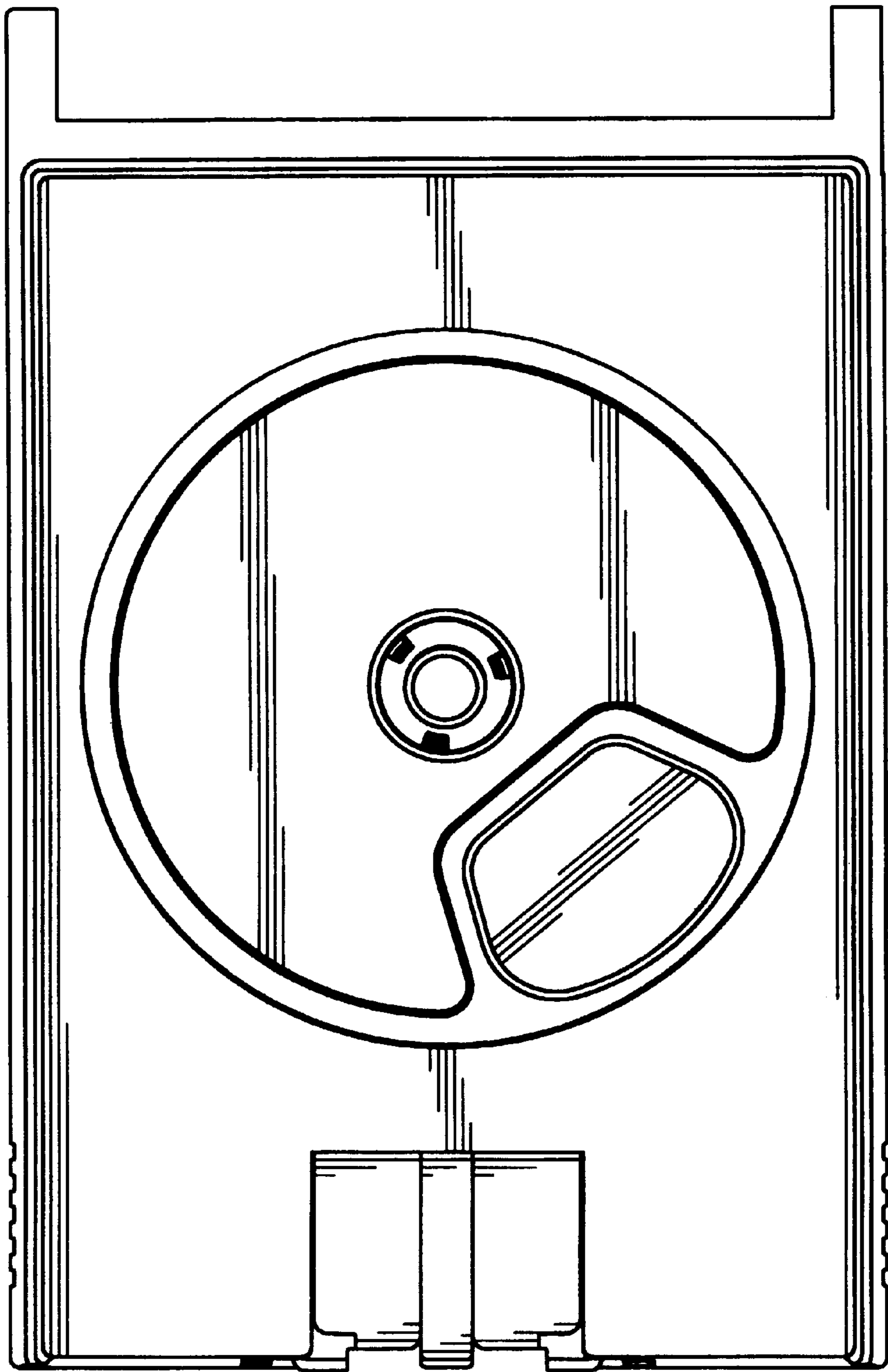


FIG. 6

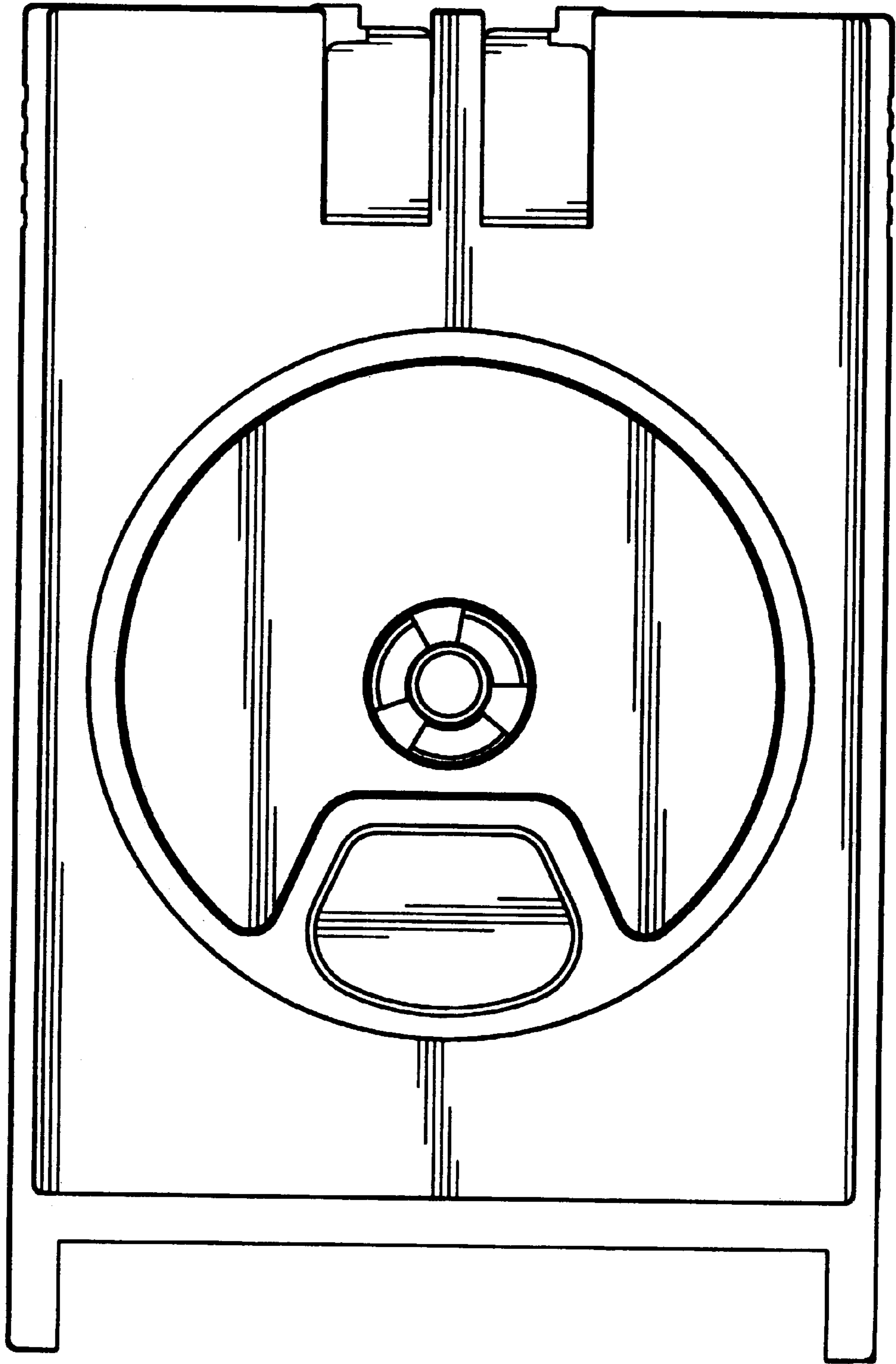


FIG. 7