



US00D461777S

(12) **United States Design Patent**  
**Cheng et al.**

(10) **Patent No.:** **US D461,777 S**

(45) **Date of Patent:** **\*\* Aug. 20, 2002**

(54) **ELECTRICAL CONNECTOR**

(75) Inventors: **Li Hua Cheng; GuangXing Shi;**  
**Qiang Chen**, all of Kunsan (CN)

(73) Assignee: **Hon Hai Precision Ind. Co., Ltd.**,  
Taipei Hsien (TW)

(\*\*) Term: **14 Years**

(21) Appl. No.: **29/151,158**

(22) Filed: **Oct. 24, 2001**

(51) **LOC (7) Cl.** ..... **13-03**

(52) **U.S. Cl.** ..... **D13/147**

(58) **Field of Search** ..... D13/133, 146,  
D13/147; D14/256; 439/344, 607, 676

(56) **References Cited**

**U.S. PATENT DOCUMENTS**

D300,424 S	*	3/1989	Matsuzaki et al.	.....	D13/147
5,178,563 A	*	1/1993	Reed	.....	439/676
5,885,100 A	*	3/1999	Talend et al.	.....	439/607 X
6,129,587 A	*	10/2000	Huang	.....	439/607
6,168,473 B1	*	1/2001	Hsin	.....	439/676

6,200,900 B1	*	4/2001	Huang	.....	439/676
6,217,371 B1	*	4/2001	Wu	.....	439/676 X
D444,771 S	*	7/2001	Wu	.....	D13/147
D446,776 S	*	8/2001	Ma et al.	.....	D13/147
D450,657 S	*	11/2001	Wu	.....	D13/147
2001/0004567 A1	*	6/2001	Chen et al.	.....	439/607

\* cited by examiner

*Primary Examiner*—Joel Sincavage

(74) *Attorney, Agent, or Firm*—Wei Te Chung

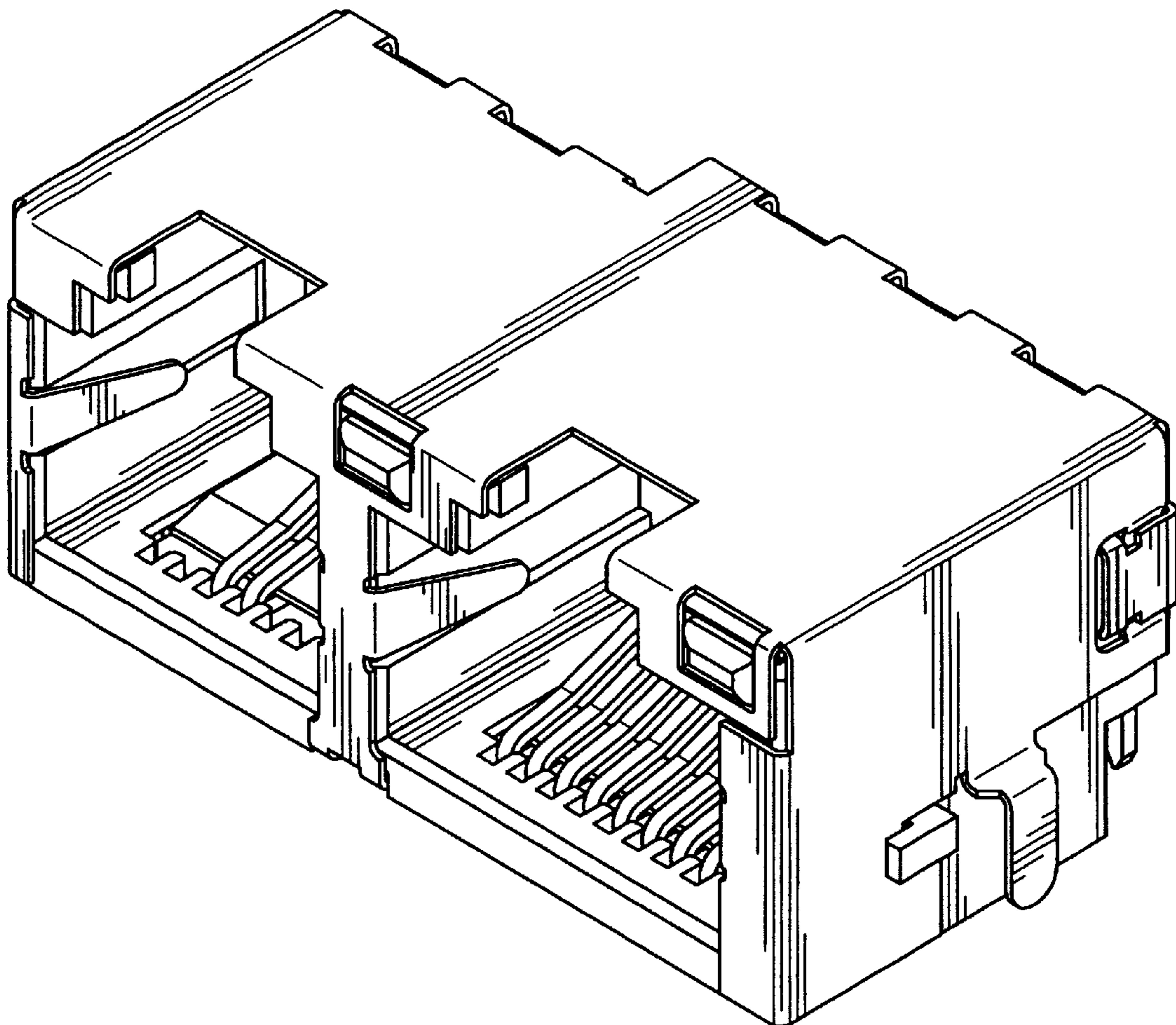
(57) **CLAIM**

The ornamental design for an electrical connector, as shown.

**DESCRIPTION**

FIG. 1 is a front, top and right side perspective view of an electrical connector showing our new design; FIG. 2 is a front elevational view thereof; FIG. 3 is a rear elevational view thereof; FIG. 4 is a left side elevational view thereof; FIG. 5 is a right side elevational view thereof; FIG. 6 is a top plan view thereof; and, FIG. 7 is a bottom plan view thereof.

**1 Claim, 6 Drawing Sheets**



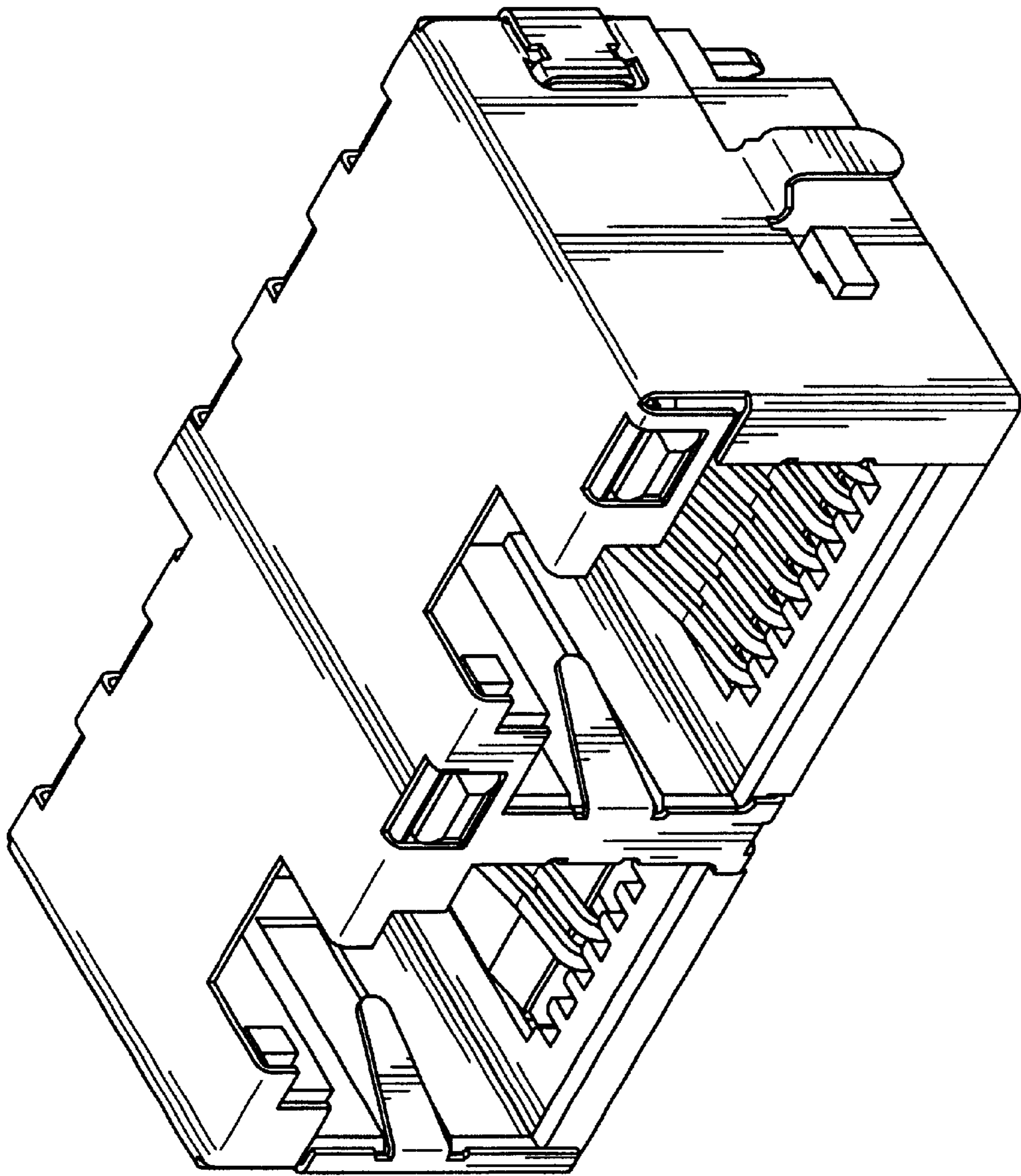


FIG. 1

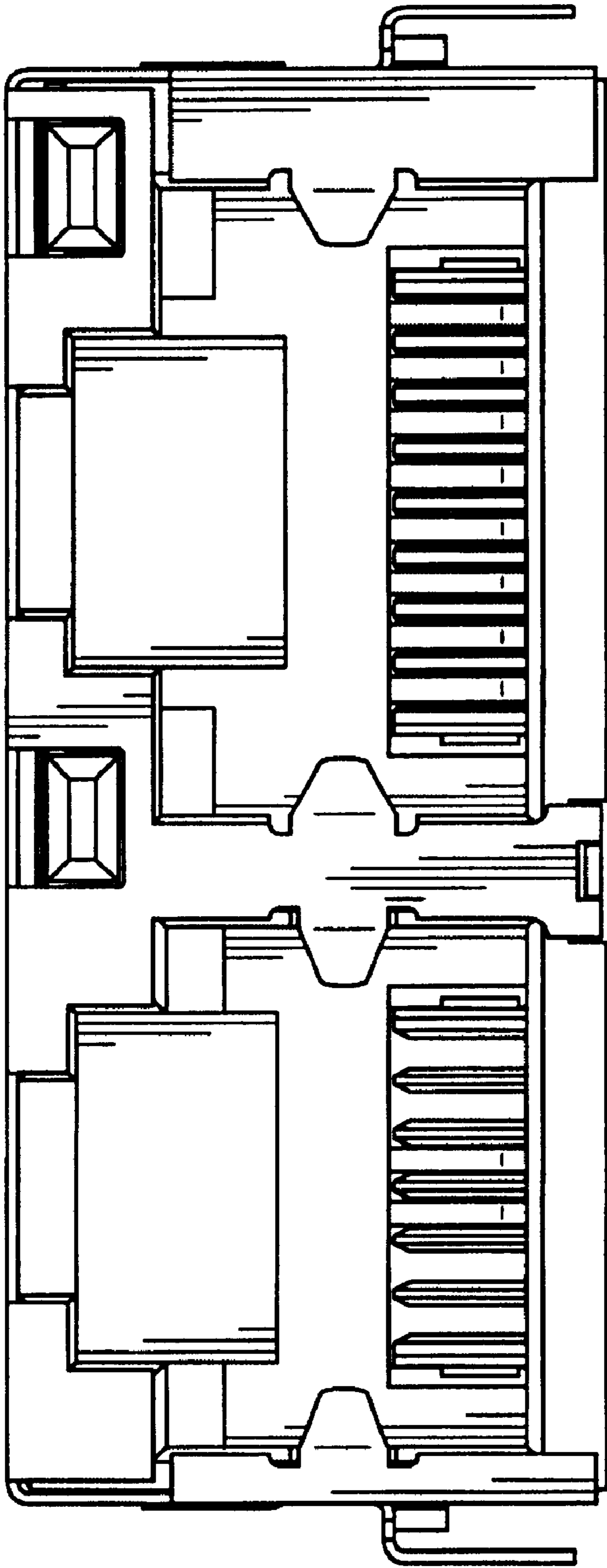


FIG. 2

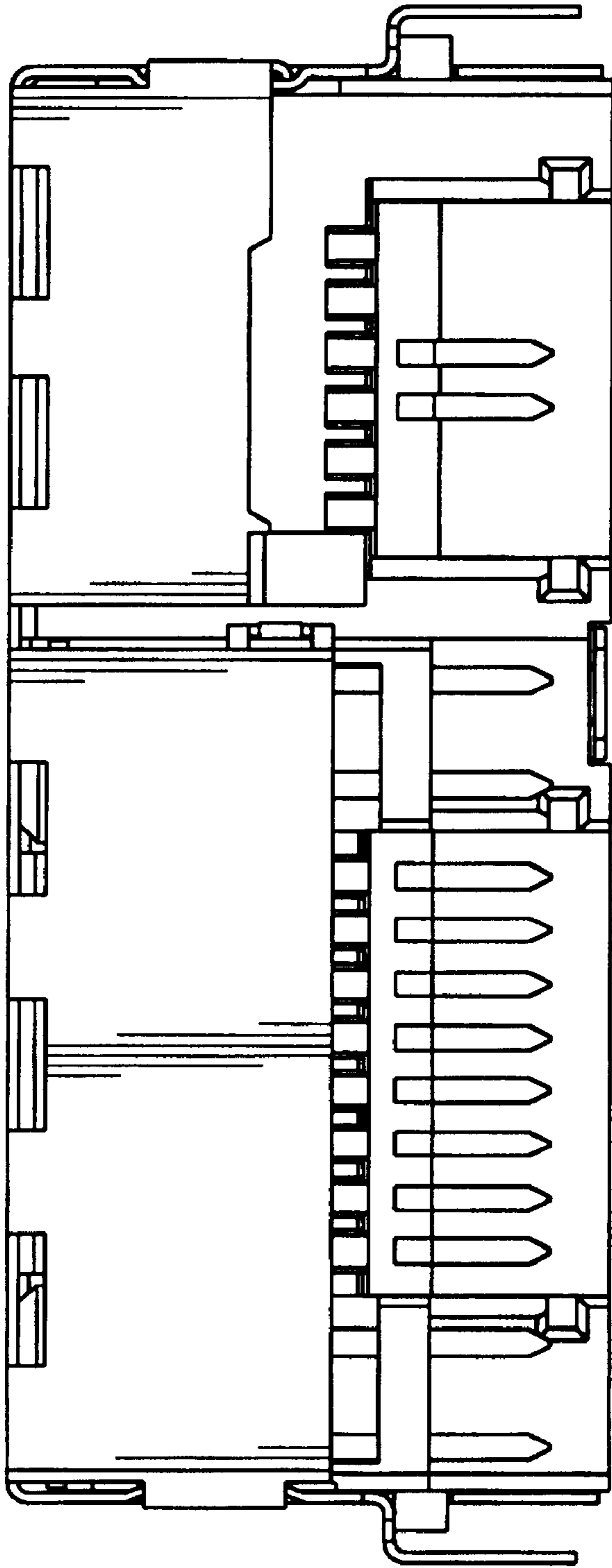


FIG. 3

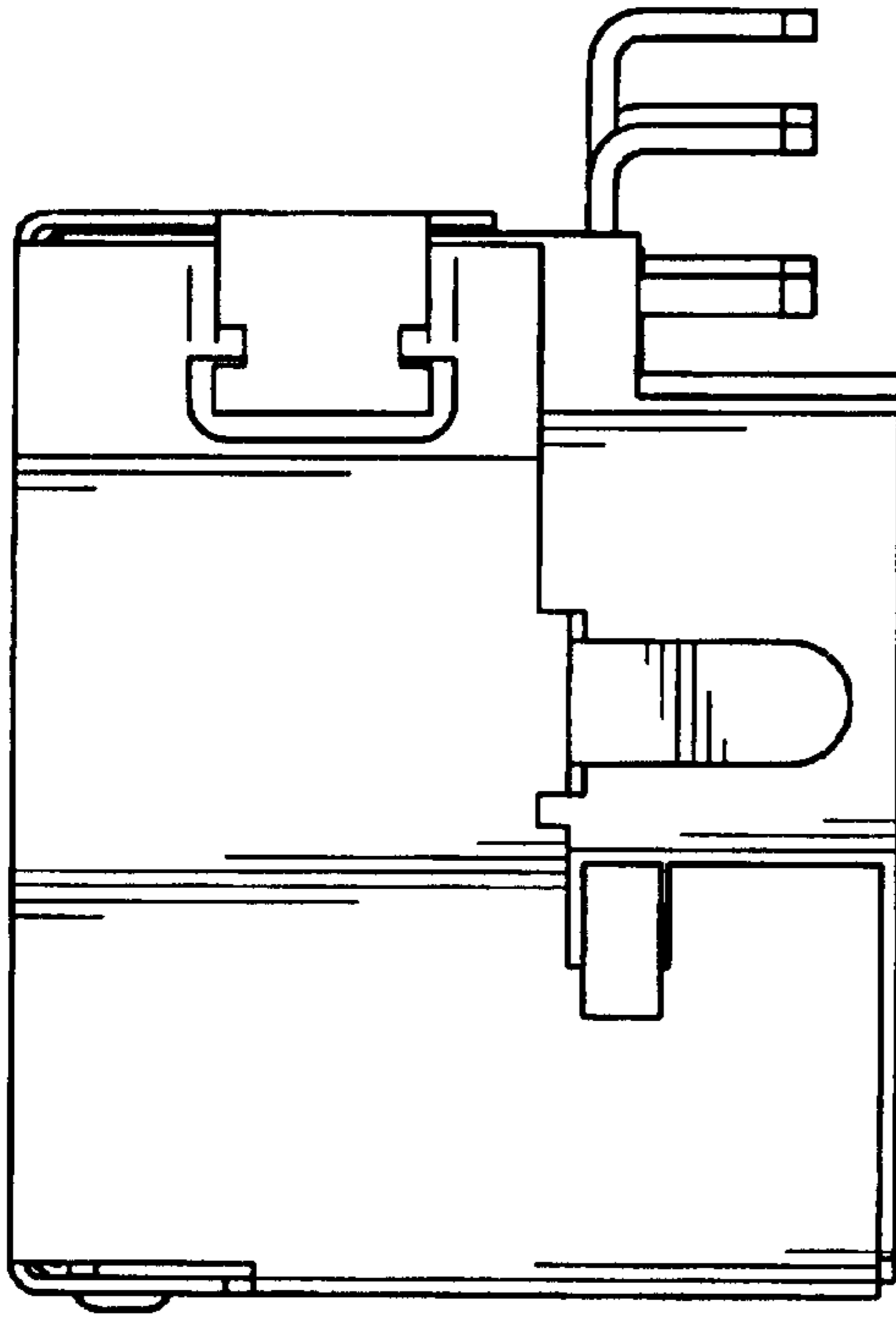


FIG. 5

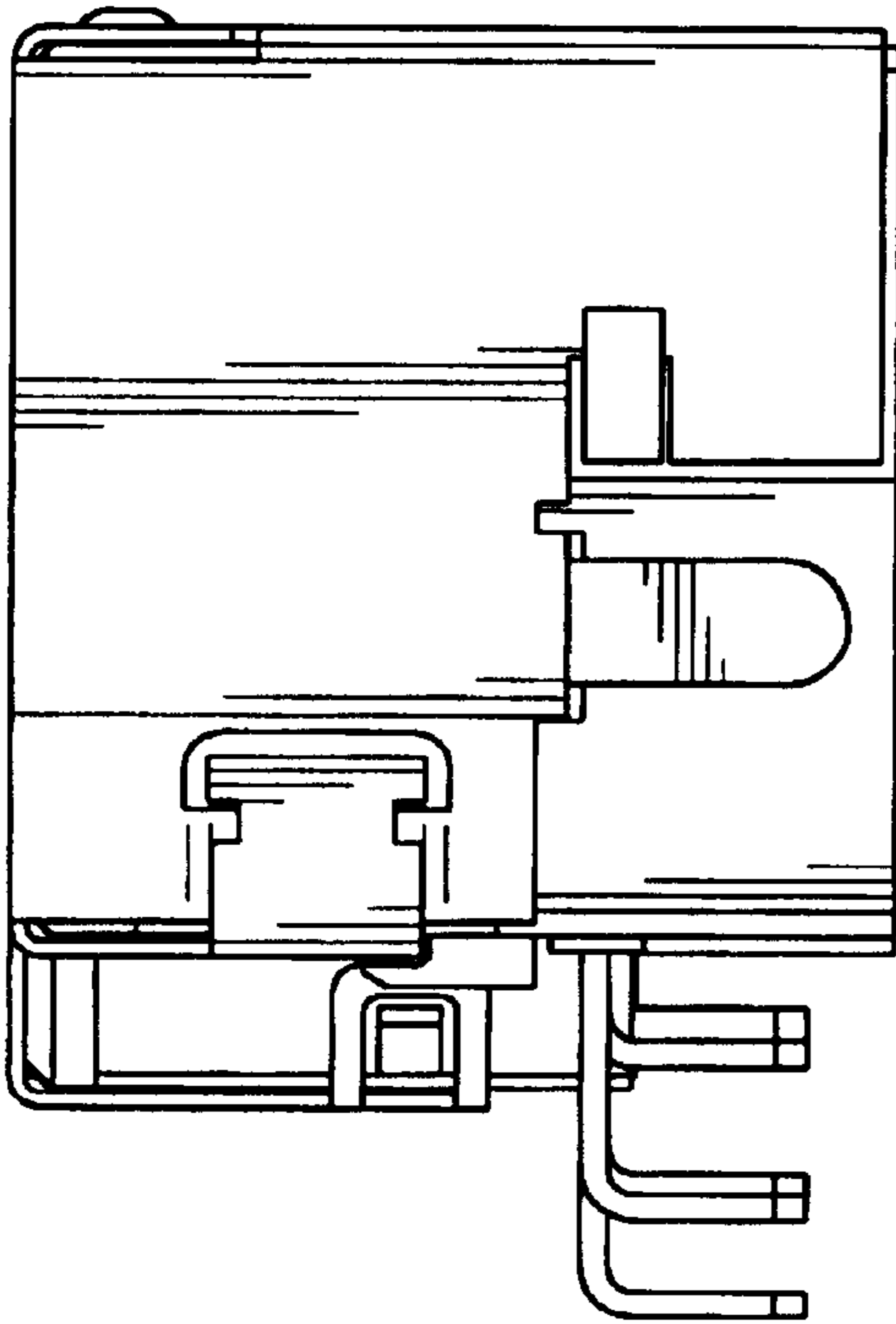


FIG. 4

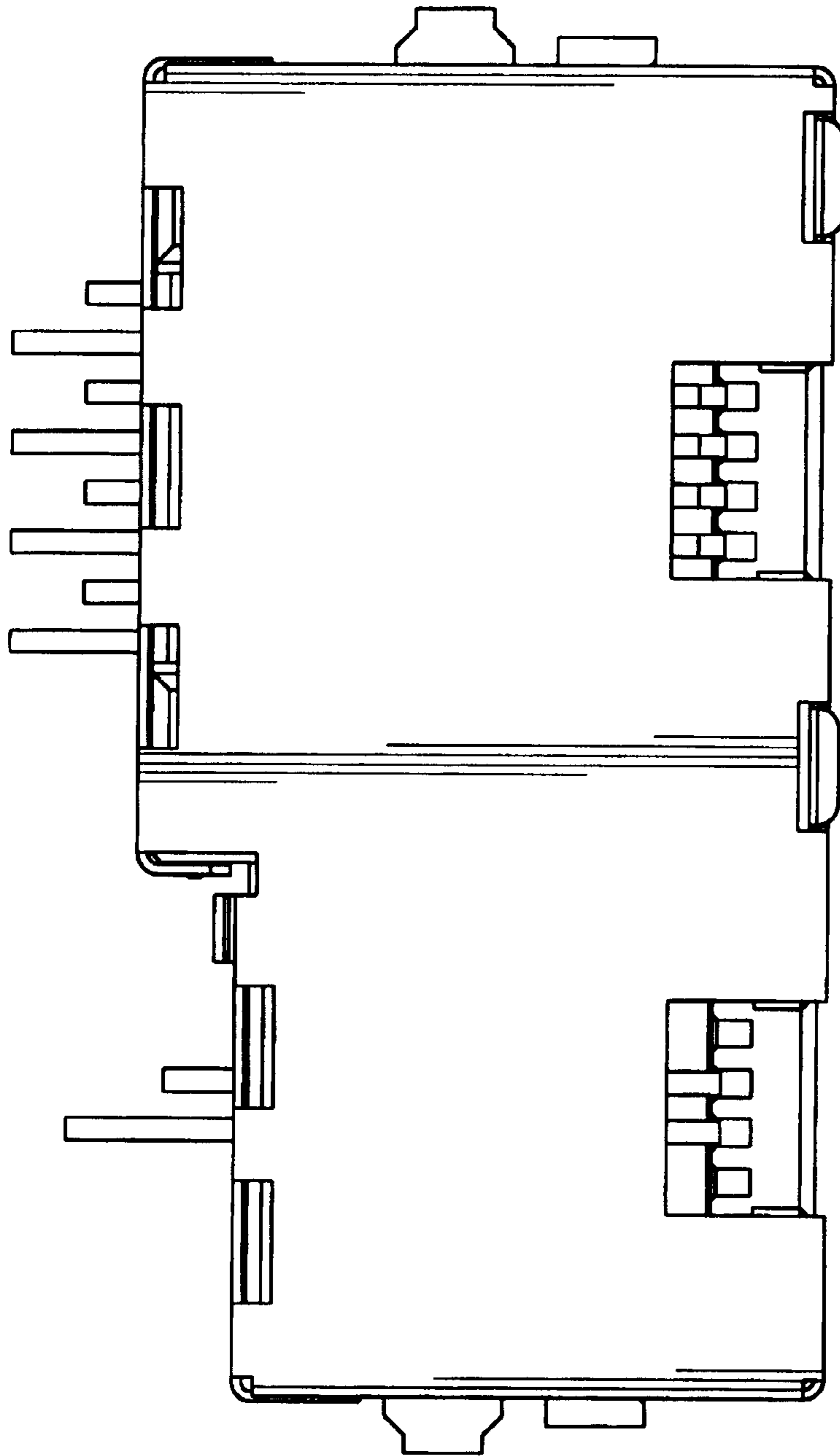


FIG. 6



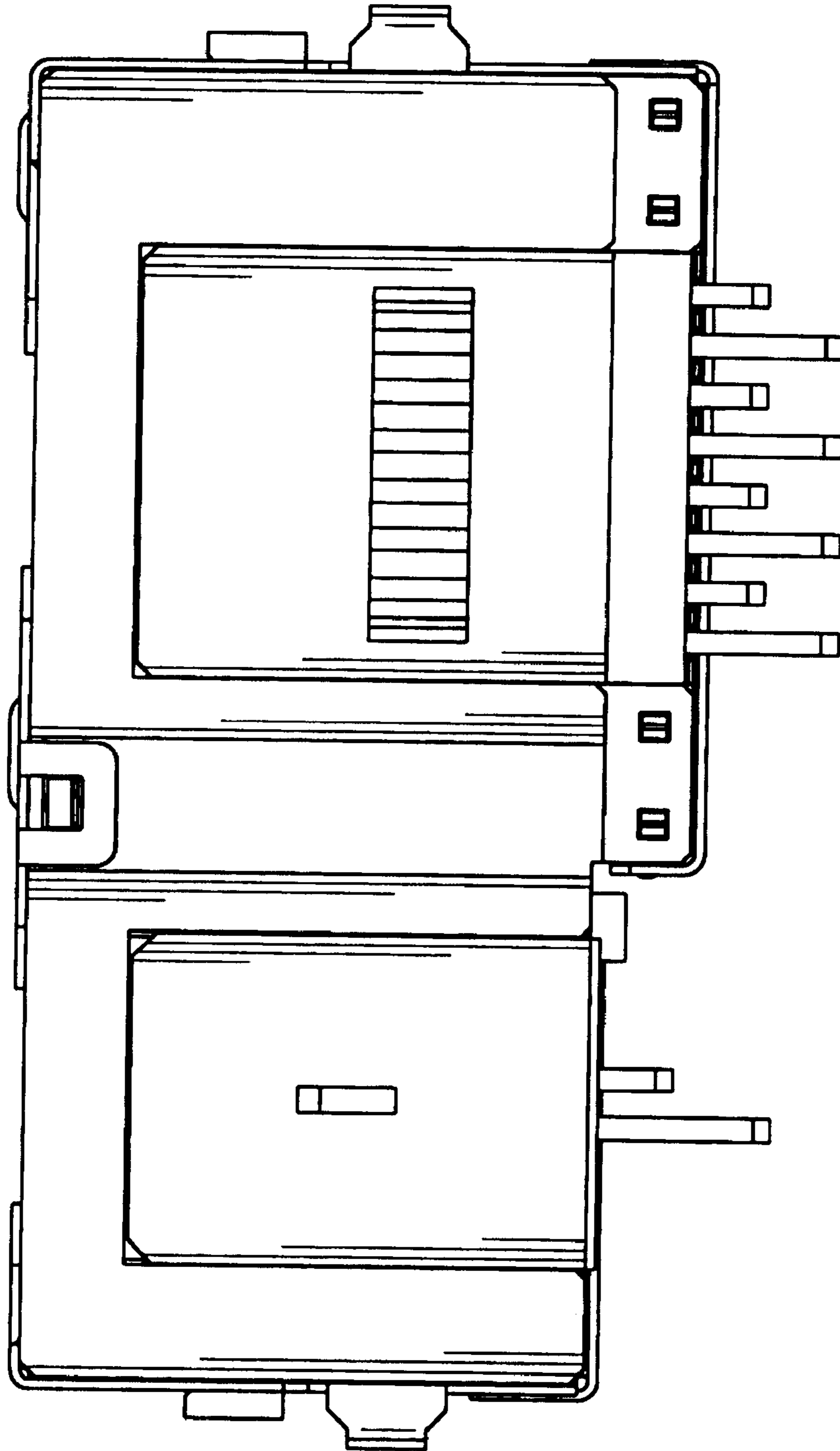


FIG. 7