



US00D461775S

(12) **United States Design Patent**  
**Littrell et al.**

(10) **Patent No.:** **US D461,775 S**

(45) **Date of Patent:** **\*\* Aug. 20, 2002**

(54) **SWITCH ADAPTER**

(75) Inventors: **Paul Littrell**, Fort Wayne; **John Burwell**, Rome City, both of IN (US)

(73) Assignee: **Lyll Assemblies, Inc.**, Kendallville, IN (US)

(\*\*) Term: **14 Years**

(21) Appl. No.: **29/140,147**

(22) Filed: **Apr. 12, 2001**

(51) **LOC (7) Cl.** ..... **13-03**

(52) **U.S. Cl.** ..... **D13/146; D13/173**

(58) **Field of Search** ..... D13/133, 137.1, D13/137.2, 138.1, 138.2, 146, 173; 336/92, 107, 146; 439/105, 299, 300, 119, 101, 106

(56) **References Cited**

**U.S. PATENT DOCUMENTS**

3,775,727 A	*	11/1973	Wise	.....	439/105
D318,647 S	*	7/1991	Dunn, Sr.	.....	D13/137.2
D329,423 S	*	9/1992	Luu	.....	D13/137.2
D341,125 S	*	11/1993	Miller	.....	D13/146
D366,239 S	*	1/1996	Eaton	.....	D13/146

5,584,729 A	*	12/1996	Luu	.....	439/652
D406,815 S	*	3/1999	Martensson	.....	D13/138.1
D419,134 S	*	1/2000	Chen	.....	D13/146
D421,419 S	*	3/2000	Wu et al.	.....	D13/146
D433,664 S	*	11/2000	Arai	.....	D13/146
D434,004 S	*	11/2000	Yang	.....	D13/146
D452,842 S	*	1/2002	Kajiwara et al.	.....	D13/110

\* cited by examiner

*Primary Examiner*—Ted Shooman

*Assistant Examiner*—Selina Sikder

(74) *Attorney, Agent, or Firm*—Taylor & Aust, P.C.

(57) **CLAIM**

The ornamental design for a switch adapter, as shown and described.

**DESCRIPTION**

FIG. 1 is a perspective view of a switch adapter showing our new design, the portion in phantom lines forming no part of the claimed invention;

FIG. 2 is a side view thereof;

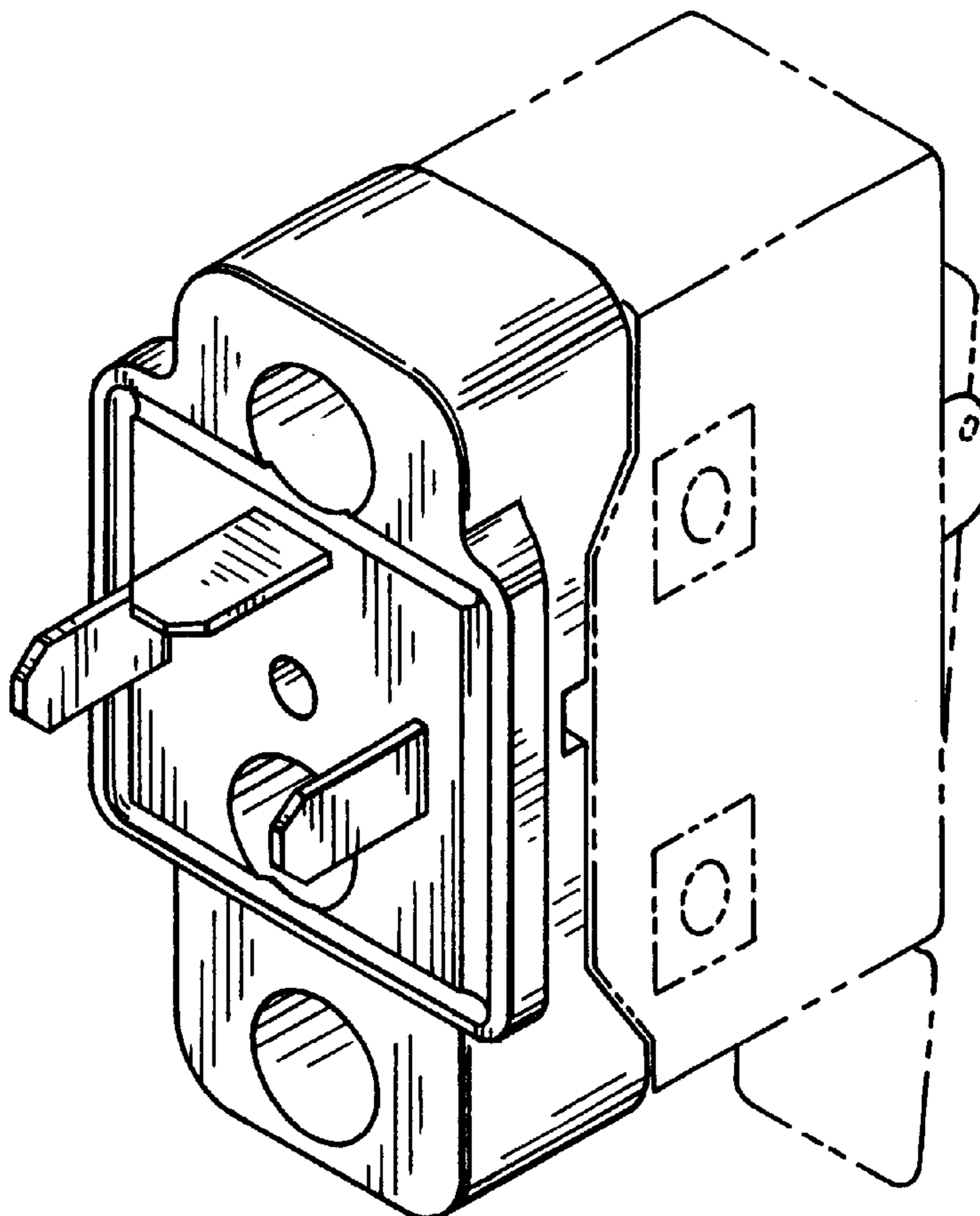
FIG. 3 is a front view thereof;

FIG. 4 is a rear view thereof;

FIG. 5 is an end view thereof; and,

FIG. 6 is an opposite end view thereof.

**1 Claim, 2 Drawing Sheets**



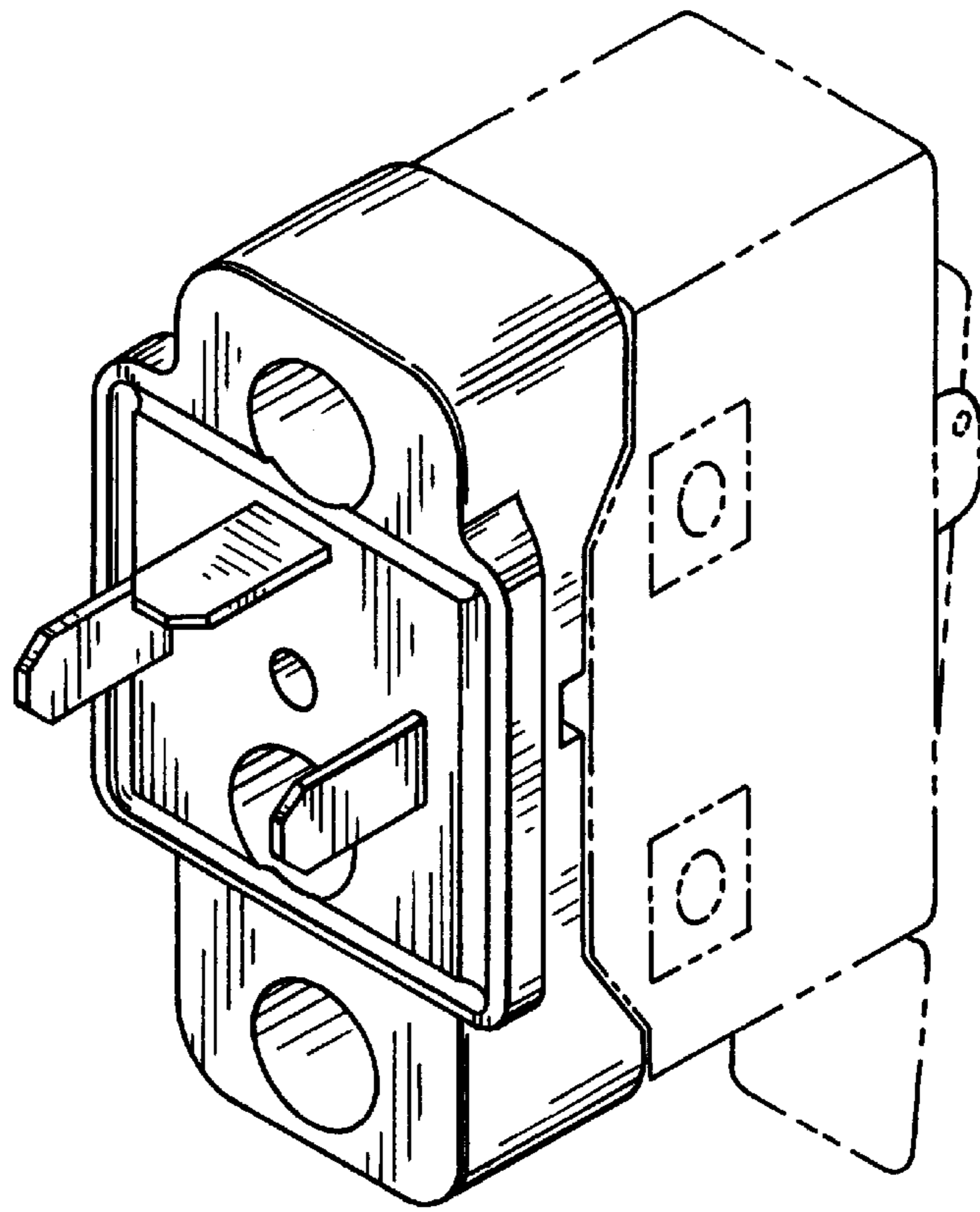


Fig. 1

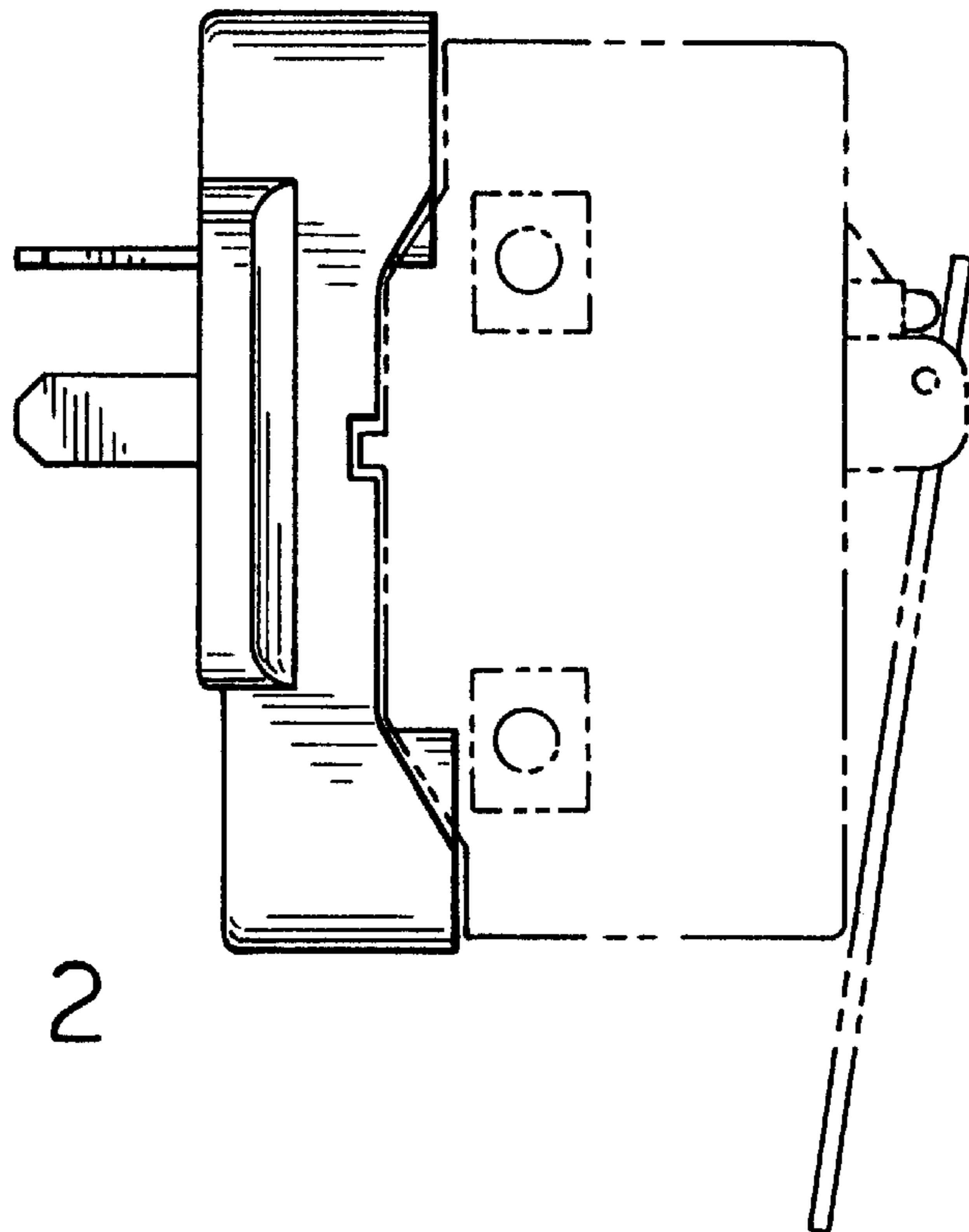


Fig. 2

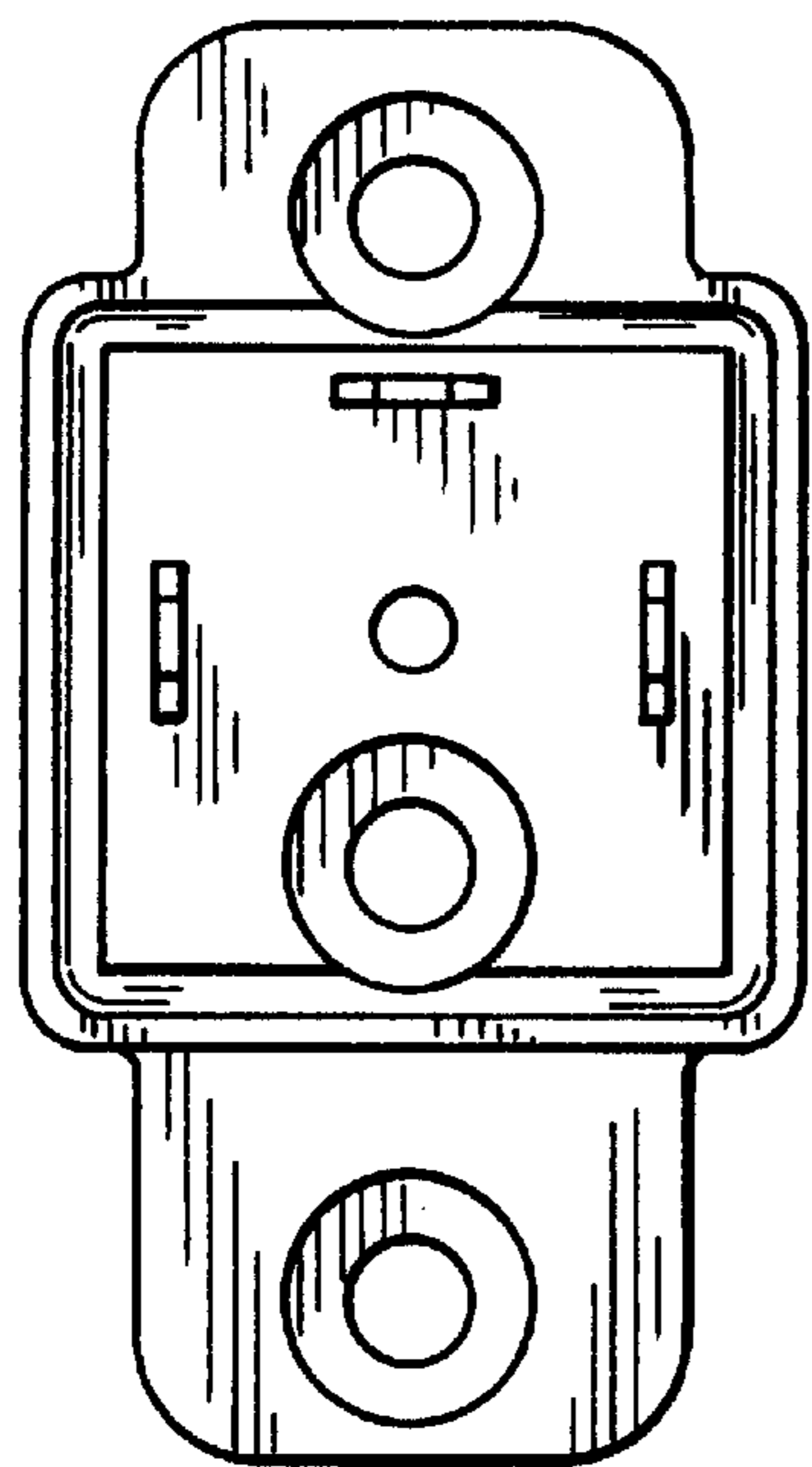


Fig. 3

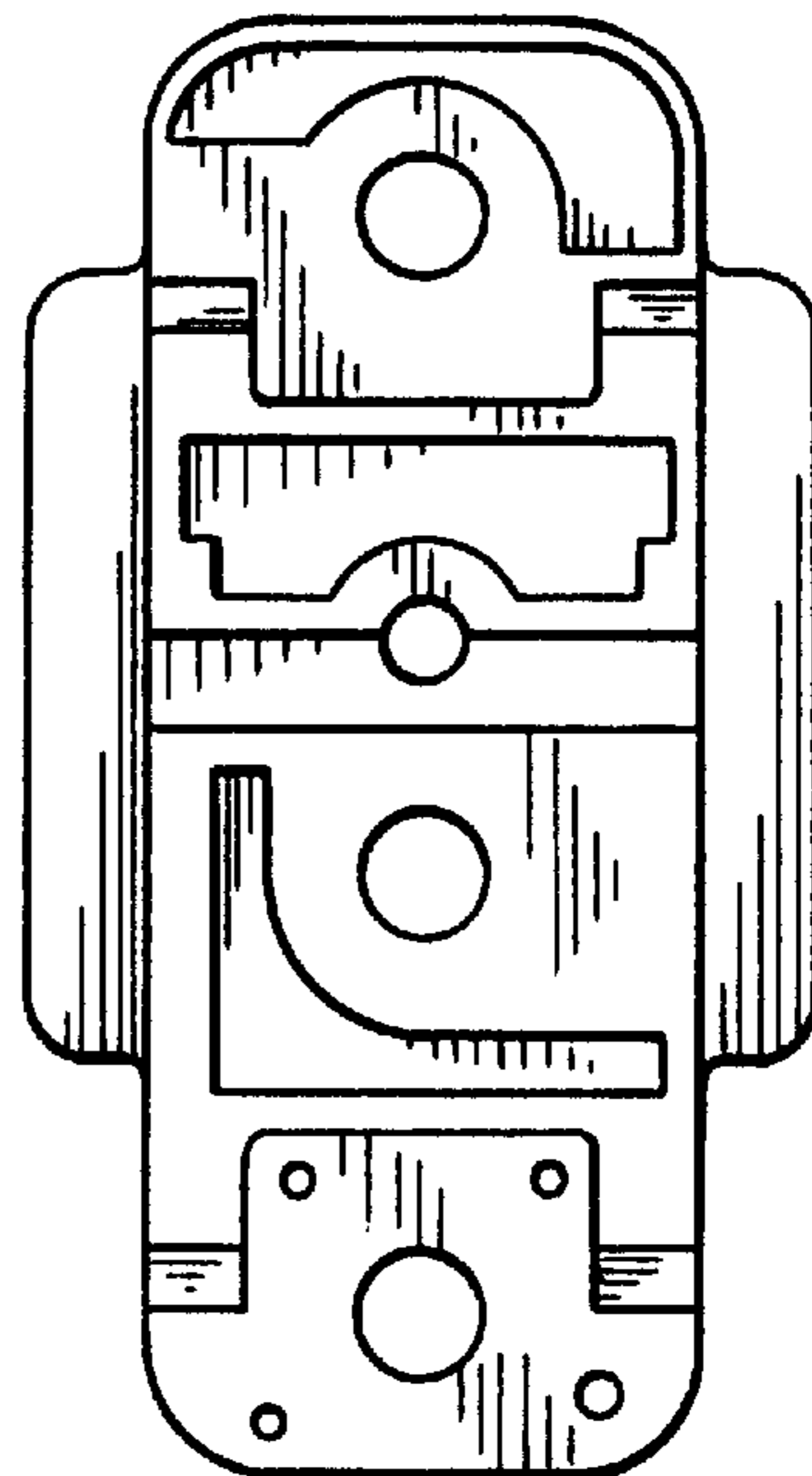


Fig. 4

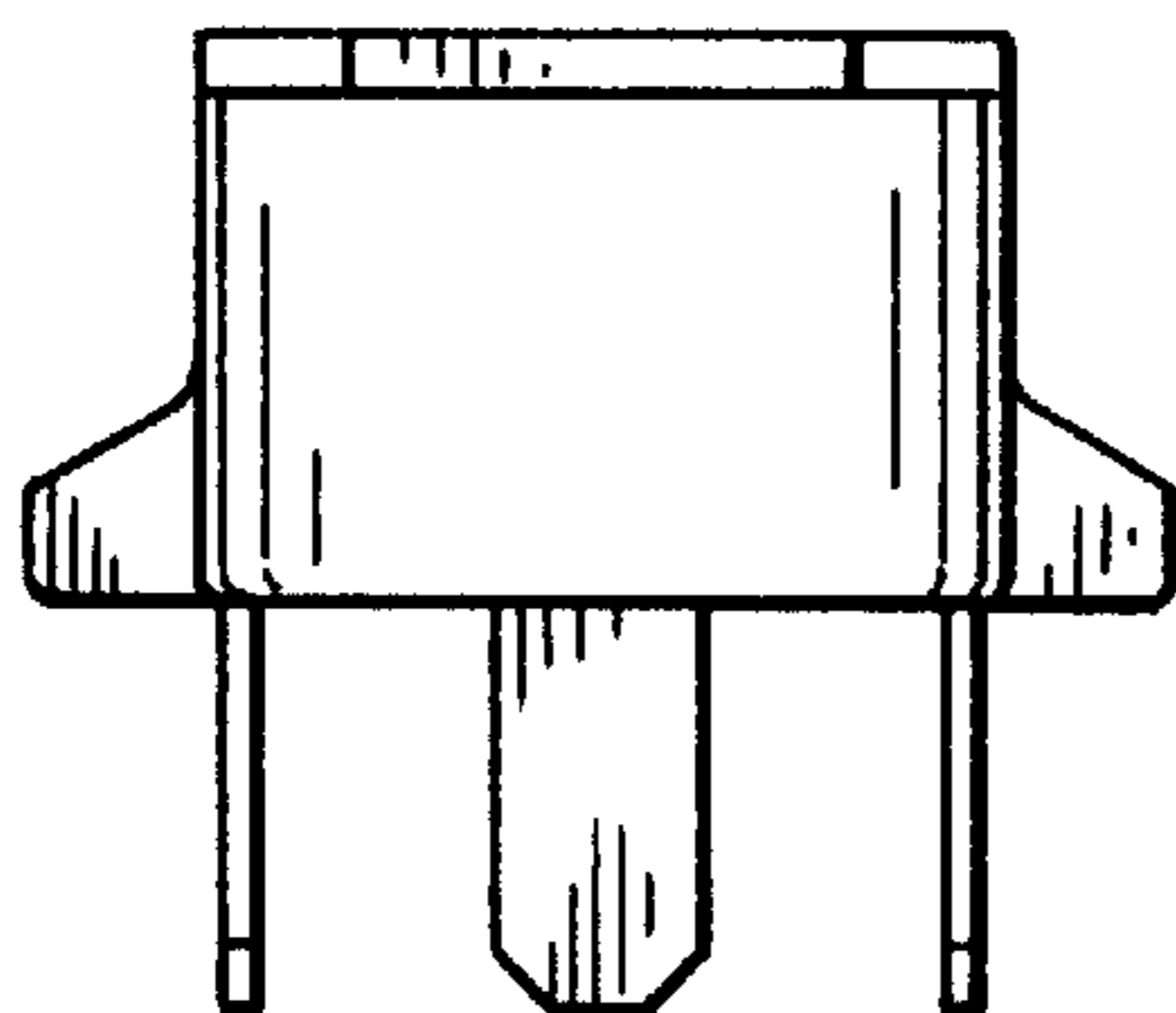


Fig. 5

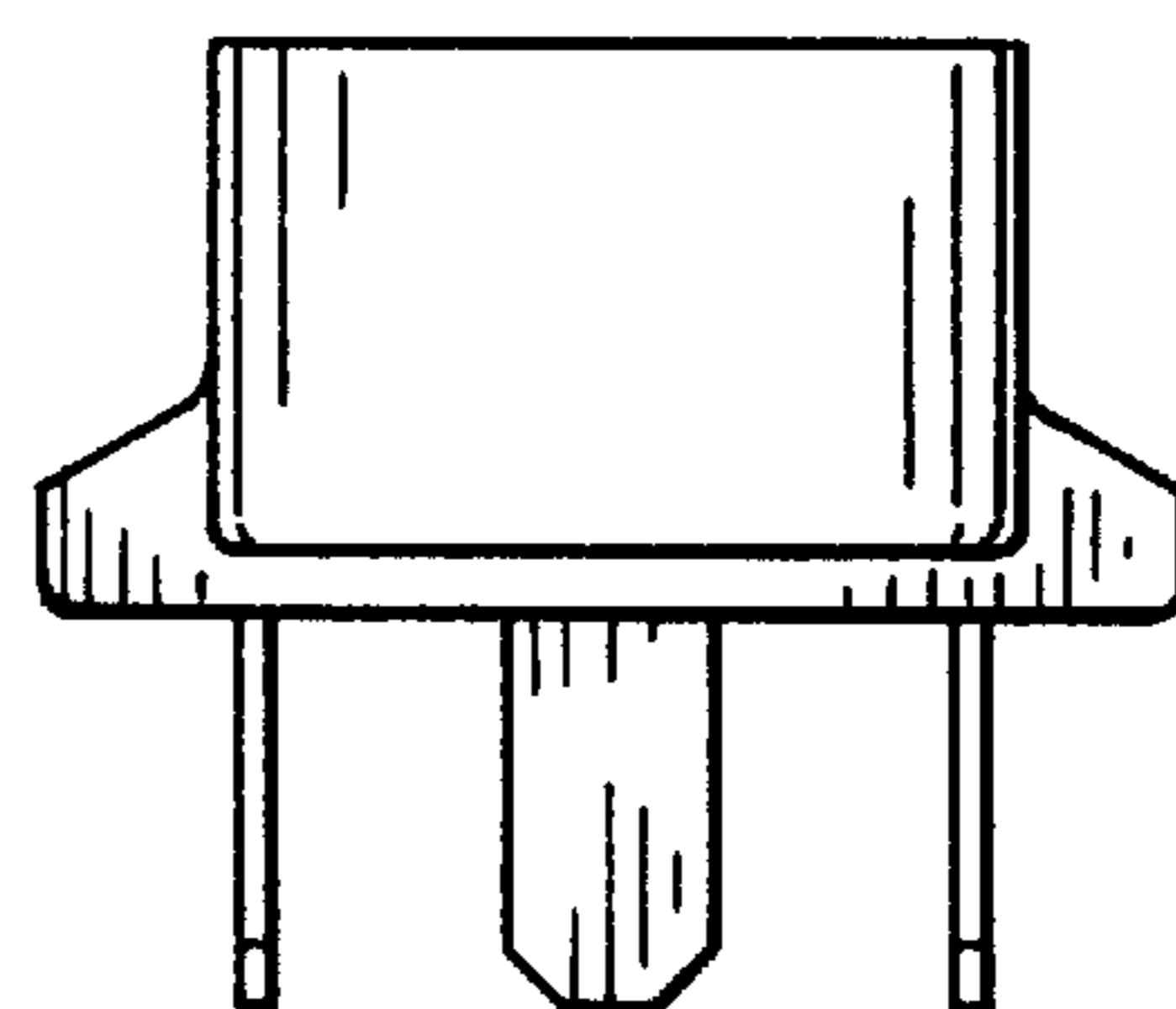


Fig. 6